



HOLDER

ERSATZTEILLISTE SPARE PARTS PIÈCES DE RECHANGE PARTI DI RICAMBIO

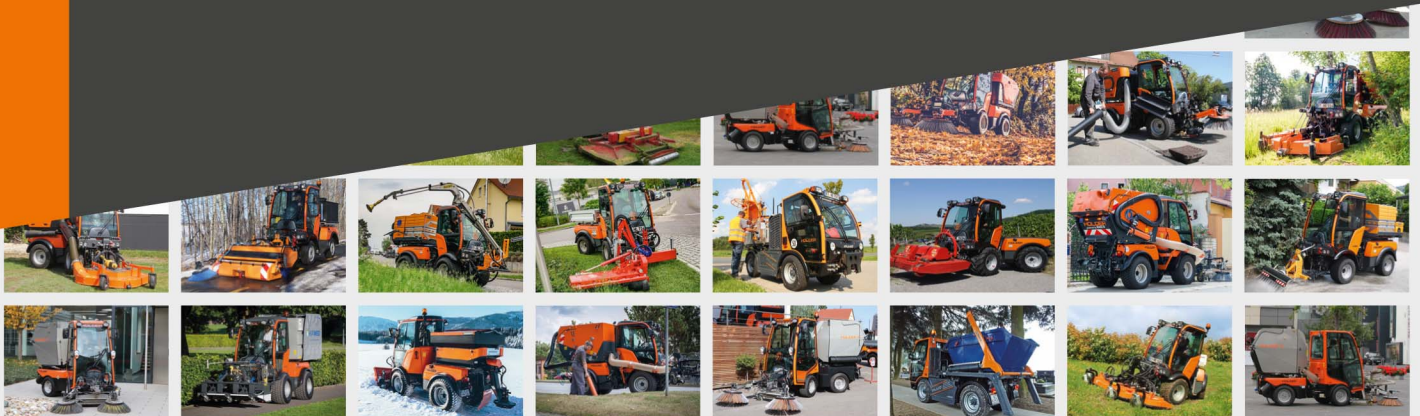


Table of Contents

1 MULTI-PARK C200/300/245/345.....	6
1.1 BASE FRAME, STRUTURES REAR, ENGINE FIXING PARTS.....	8
1.1.1 FRAME, INFLECTION POINT, REAR VALANCE.....	10
1.1.2 TAILPIPE.....	16
1.1.3 KIT AIR FILTER TIL 30.09.99.....	18
1.1.4 KIT AIR FILTER AS OF 01.10.99.....	20
1.1.5 ENGINE OIL FILTER.....	22
1.1.6 COOLER, FAN BLADE, ENGINE MOUNT.....	24
1.1.7 ADDITIONAL COOLER C200.....	30
1.1.8 FUEL TANK C200.....	32
1.1.9 FUEL TANK C300.....	34
1.1.10 REAR CONSTRUCTIONS, BATTERY, FENDER C200.....	36
1.1.11 REAR CONSTRUCTIONS, BATTERY, FENDER C300.....	40
1.1.12 HOOD REAR, RAILING C200.....	44
1.1.13 HOOD REAR, RAILING C300.....	46
1.1.14 CARGO BED, MOUNTING BRACKET.....	48
1.1.15 HYRAULIC TIPPING SYSTEM C200.....	52
1.1.16 HYRAULIC TIPPING SYSTEM C200.....	54
1.2 AXLES, BRAKES.....	56
1.2.1 AXLES C200, TILL 202 001522.....	58
1.2.2 AXLES C200, AS OF 202 001523.....	62
1.2.3 AXLES C200 SUMMERPARK AND BASIC, TILL 202 002 318.....	66
1.2.4 AXLES C200 BASIC, AS OF 202 002 319.....	70
1.2.5 AXLES C300, TILL 203 000 666.....	74
1.2.6 AXLES C300, AS OF 203 000 667.....	78
1.2.7 BRAKES.....	82
1.3 HYDRAULIC FOR TRAVEL DRIVE.....	84
1.3.1 HYDRAULIC OIL TANK, FILTER, TILL 30.09.99.....	86
1.3.2 HYDRAULIC OIL TANK, FILTER, AS OF 01.10.99.....	90
1.3.3 HYDRAULIC LINE FOR OIL COOLER, TILL 31.01.03.....	94
1.3.4 HYDRAULIC LINE FOR OIL COOLER, AS OF 01.02.03.....	96
1.3.5 PRESSURE- AND RETURN LINE FOR STEERING C200.....	98
1.3.6 PRESSURE- AND RETURN LINE FOR STEERING C300.....	100
1.3.7 SUCTION LINE FOR HYDRAULIC DRIVE.....	102
1.3.8 SUCTION LINE FOR TRAVEL DRIVE, FOUR-WHEEL DRIVE.....	104
1.3.9 PRESSURE LINE, TILL 202001844, 203000739.....	106
1.3.10 PRESSURE LINE AS OF 202001845, 203000740.....	108
1.3.11 800712.....	110
1.3.12 PRESSURE LINE, VARIABLE DISPLACEMENT PUMP AS OF 202 002 319.....	112
1.3.13 VARIABLE DISPLACEMENT PUMP.....	116
1.3.14 VARIABLE DISPLACEMENT PUMP.....	118
1.4 LOW PRESSURE HYDRAULIC SYSTEM.....	120
1.4.1 KIT FOR LOW PRESSURE HYDRAULIC SYSTEM, TILL 30.09.99.....	122
1.4.2 KIT FOR LOW PRESSURE HYDRAULIC SYSTEM, AS OF 01.10.99.....	124
1.4.3 LOW PRESSURE HOSE FOR FOUR-WHEEL DRIVE.....	126
1.4.4 LOW PRESSURE HOSE FOR SUMMERPARK.....	128
1.4.5 LOW PRESSURE HOSE FOR SUMMERPARK WITH ROCKER PEDAL.....	130
1.4.6 LOW PRESSURE HOSE FOR BASIC.....	132
1.5 STEERING, PLUG-IN CLUTCH.....	134
1.5.1 STEERING WHEEL, STEERING, STEERING CYLINDER, C200.....	136
1.5.2 STEERING WHEEL, STEERING, STEERING CYLINDER, C300.....	140

1.5.3	STEERING, DANFOSS,OSPC 50 LS; OSPC 100 LS.....	144
1.5.4	ENTRANCE PANEL, CONTROL UNIT.....	146
1.5.5	EXTRA CONTROL UNIT, PLUG-IN CLUTCH FRONT.....	150
1.5.6	PLUG-IN CLUTCH, ADAPTER.....	154
1.6	KIT HYDRAULIC.....	156
1.6.1	FLOW DIVIDER, UNPRESSURIZED RETURN LINE, LINES, C200.....	158
1.6.2	HOSE SET FLOW DIVIDER, UNPRESSURIZED RETURN LINE.....	162
1.6.3	FLOW DIVIDER, UNPRESSURIZED RETURN LINE, LINES, REAR.....	164
1.6.4	HYDR. CARRYING DEVICE, C200.....	168
1.6.5	HYDR. CARRYING DEVICE, C300.....	170
1.6.6	INTEGRATED DEVICE SERVO PUMP, DISTRIBUTOR PIPE, FILTER.....	172
1.6.7	INTEGRATED DEVICE SERVO PUMP, DISTRIBUTOR PIPE, FILTER.....	176
1.6.8	INTEGRATED DEVICE SERVO PUMP, GEAR PUMP C200.....	180
1.6.9	INTEGRATED DEVICE SERVO PUMP, FILTER, PLUG-IN CLUTCH, C300.....	182
1.6.10	INTEGRATED DEVICE SERVO PUMP, GEAR PUMP, C300.....	186
1.6.11	ELECTICAL DISTRIBUTOR BLOCK.....	188
1.7	VALVE BLOCK ELECTRICAL.....	190
1.7.1	POWER HYDRAULICS FOR SUMMERPARK, BASIC.....	192
1.7.2	POWER HYDRAULICS FOR SUMMERPARK, BASIC.....	196
1.7.3	HOSE SET REAR FOR ADJUSTABLE ACCESSORIES HYDRAULIC PUMP, C300.....	200
1.7.4	POWER HYDRAULICS, C300, TILL 203 000 804.....	202
1.7.5	POWER HYDRAULICS, C300, AS OF 203 000 805.....	204
1.7.6	POWER HYDRAULICS, C300.....	206
1.7.7	POWER HYDRAULICS, C200, TILL 202 002 061.....	208
1.7.8	POWER HYDRAULICS, C200, AS OF 202 002 062.....	212
1.7.9	POWER HYDRAULICS, C200.....	214
1.7.10	HOSE SET REAR FOR ADJUSTABLE ACCESSORIES HYDRAULIC PUMP, C200.....	216
1.7.11	HOSE SET REAR FOR POWER HYDRAULICS.....	218
1.8	OPERATING ELEMENTS, PEDAL.....	220
1.8.1	PEDAL STICK, DRIVING BRAKE, INCH PEDAL.....	222
1.8.2	PARKING BRAKE.....	226
1.8.3	FOOT THROTTLE, C200, TILL 202 001 844.....	228
1.8.4	FOOT THROTTLE FOR SDS, C200, AS OF 202 001 845.....	232
1.8.5	FOOT THROTTLE FOR SDS, C200.....	236
1.8.6	ROCKER PEDAL.....	240
1.9	FRONT LIFT, REAR LIFT, PTO.....	242
1.9.1	PTO FRONT, TILL 202 000 032; 203 000 879.....	244
1.9.2	PTO FRONT, AS OF 202 000 033; 203 000 880.....	246
1.9.3	FRONT BLOCK, PTO GEAR FRONT, ARRESTOR HOOK TILL 05.99.....	248
1.9.4	FRONT BLOCK, PTO GEAR FRONT, ARRESTOR HOOK AS OF 05.99.....	252
1.9.5	FRONT LIFT.....	258
1.9.6	SPIGOT FOR LIFT, ARRESTOR HOOK.....	262
1.9.7	WHEEL LOAD, HYDRAULIC FOR FRONT LIFT ATTACHMENT.....	264
1.9.8	INDEPENDENT WHEEL LOAD.....	266
1.9.9	KIT HYRAULIC CYLINDER FOR FRONT LIFT.....	268
1.9.10	HYDR. SIDE ADJUSTMENT FOR FRONT LIFT ATTACHMENT.....	270
1.9.11	REAR LIFT, BEARING BOCK, ARRESTOR HOOK.....	272
1.9.12	REAR LIFT SHORT.....	278
1.9.13	KIT AIR ACCUMULATOR.....	282
1.9.14	PTO GEAR REAR, DRIVE SHAFT.....	284
1.10	TRAILER HITCH, REAR PROTECTION, TIRE, CABLE SET.....	286
1.10.1	TRAILER COUPLING, BALL HITCH.....	288

1.10.2	REAR PROTECTION, TRAILER HITCH	290
1.10.3	TRAILER HITCH ITALIAN VERSION	292
1.10.4	WHEEL, WHEEL WEIGHTS	294
1.10.5	CABLE SET, GASKET KIT	298
1.11	INFORMATION SIGN	302
1.11.1	INFORMATION SIGN	304
1.12	SEAT	306
1.12.1	DRIVER SAET AIR-SUSPENDED	308
1.12.2	SPRING FOR SEAT	310
1.12.3	SPRING FOR SEAT	312
1.12.4	PASSENGER SEAT	314
1.12.5	DRIVER SAET AIR-SUSPENDED	316
1.12.6	DRIVER SAET AIR-SUSPENDED	318
1.13	DASH BOARD	322
1.13.1	DASH BOARD, DELAY RELAIS	324
1.14	CABIN VCI SERIES C200	328
1.14.1	VCI CABIN, DOOR; C200	330
1.14.2	VCI CABIN, ROOF, MIRROR, ROTATING BEACON, C200	332
1.14.3	VCI CABIN, REAR WINDOW, SIDE WINDOW, C200	334
1.14.4	WINDSHIELD; WINDSHIELD WIPERS; WORKING SPOTLIGHT; VCI; C200	336
1.14.5	VCI CABIN, HEATING, C200	340
1.14.6	VCI CABIN, HEATER HOSE, C200	342
1.14.7	VCI CABIN, FLOO PAN, COVER PLATES, HEAD LIGHT	344
1.14.8	VCI CABIN, DIRT TRAP, C200	348
1.15	CABIN KFB C200	350
1.15.1	KBF CABIN, FRAME, MIRROR, WORKING SPOTLIGHT, C200	352
1.15.2	KFB CABIN, TILL 202 001 855, WINDSHIELD; WINDSHIELD WIPERS	356
1.15.3	KFB CABIN AS OF 202 001 856, WINDSHIELD; WINDSHIELD WIPERS	360
1.15.4	CABIN KFB, STEERING COVER, COVERING, ELECTRONIC BOX	364
1.15.5	KFB CABIN, ROOF, HEATING, WATER TANK, RADIO	368
1.15.6	KFB CABIN, DOORS, REAR WINDOW	372
1.15.7	KFB CABIN, HEATER HOSE, C200	376
1.15.8	KFB CABIN, DIRT TRAP, C200	378
1.15.9	AIR CONDITIONING, COMPRESSOR, HOSE, TILL 02/08	380
1.15.10	800815	382
1.15.11	AIR CONDITIONING, BLOWER, EVAPORATOR, CONDENSER	384
1.16	CABIN VCI SERIES C300	386
1.16.1	VCI CABIN, DOOR; C300	388
1.16.2	VCI CABIN, ROOF, MIRROR, C300	390
1.16.3	REAR WINDOW, SIDE WINDOW, ROTATING BEACON, C300, VCI	392
1.16.4	WINDSHIELD; WINDSHIELD WIPERS; WORKING SPOTLIGHT, C300, VCI	396
1.16.5	VCI CABIN, HEATING, C300	398
1.16.6	VCI CABIN, HEATER HOSE, C300	400
1.16.7	VCI CABIN, FLOO PAN, COVER PLATES, HEAD LIGHT, C300	402
1.16.8	VCI CABIN, DIRT TRAP, C300	406
1.17	CABIN KBF SERIES C300	408
1.17.1	KBF CABIN, FRAME, MIRROR, WORKING SPOTLIGHT, C300	410
1.17.2	KFB CABIN, WINDSHIELD; WINDSHIELD WIPERS, C300	414
1.17.3	CABIN KFB, STEERING COVER, COVERING, RADIO	418
1.17.4	KFB CABIN, ROOF, HEATING, WATER TANK	422
1.17.5	KFB CABIN, DOORS, REAR WINDOW	426
1.17.6	KFB CABIN, HEATER HOSE, C300	430

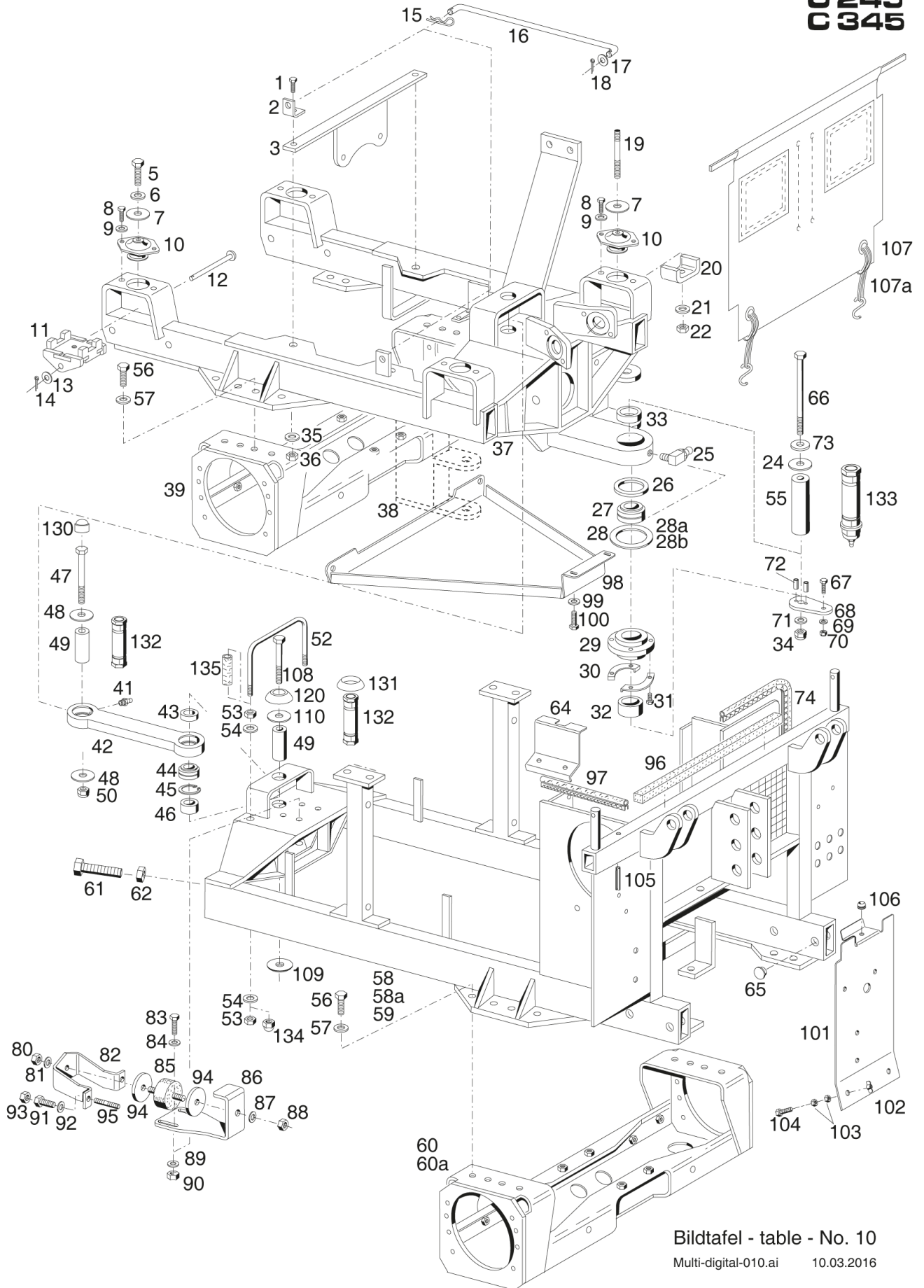
1.17.7 KFB CABIN, DIRT TRAP, C300.....	432
1.17.8 AIR CONDITIONING, COMPRESSOR, HOSE, TILL 02/08.....	434
1.17.9 AIR CONDITIONING, COMPRESSOR, HOSE, AS OF 02/08.....	436
1.18 ADDITIONAL PARTS MILITARY.....	440
1.18.1 ADDITIONAL PART FOR MILITARY, C200.....	442
1.18.2 ADDITIONAL PART FOR MILITARY, C300.....	444
Index.....	446



Item no.	Article no.	Description	Quantity
10	800676	BASE FRAME, STRUTURES REAR, ENGINE FIXING PARTS	1
20	800693	AXLES, BRAKES	1
30	800701	HYDRAULIC FOR TRAVEL DRIVE	1
40	800716	LOW PRESSURE HYDRAULIC SYSTEM	1
50	800723	STEERING, PLUG-IN CLUTCH	1
60	800730	KIT HYDRAULIC	1
70	800742	VALVE BLOCK ELECTRICAL	1
80	800754	OPERATING ELEMENTS, PEDAL	1
90	800761	FRONT LIFT, REAR LIFT, PTO	1
100	800776	TRAILER HITCH, REAR PROTECTION, TIRE, CABLE SET	1
110	800783	INFORMATION SIGN	1
120	800785	SEAT	1
130	800794	DASH BOARD	1
140	800796	CABIN VCI SERIES C200	1
150	800805	CABIN KFB C200	1
160	800817	CABIN VCI SERIES C300	1
170	800826	CABIN KBF SERIES C300	1
180	800836	ADDITIONAL PARTS MILITARY	1

Item no.	Article no.	Description	Quantity
10	800677	FRAME, INFLECTION POINT, REAR VALANCE	1
20	800678	TAILPIPE	1
30	800679	KIT AIR FILTER TIL 30.09.99	1
40	800680	KIT AIR FILTER AS OF 01.10.99	1
50	800681	ENGINE OIL FILTER	1
60	800682	COOLER, FAN BLADE, ENGINE MOUNT	1
70	800683	ADDITIONAL COOLER C200	1
80	800684	FUEL TANK C200	1
90	800685	FUEL TANK C300	1
100	800686	REAR CONSTRUCTIONS, BATTERY, FENDER C200	1
110	800687	REAR CONSTRUCTIONS, BATTERY, FENDER C300	1
120	800688	HOOD REAR, RAILING C200	1
130	800689	HOOD REAR, RAILING C300	1
140	800690	CARGO BED, MOUNTING BRACKET	1
150	800691	HYRAULIC TIPPING SYSTEM C200	1
160	800692	HYRAULIC TIPPING SYSTEM C200	1

C 245
C 345

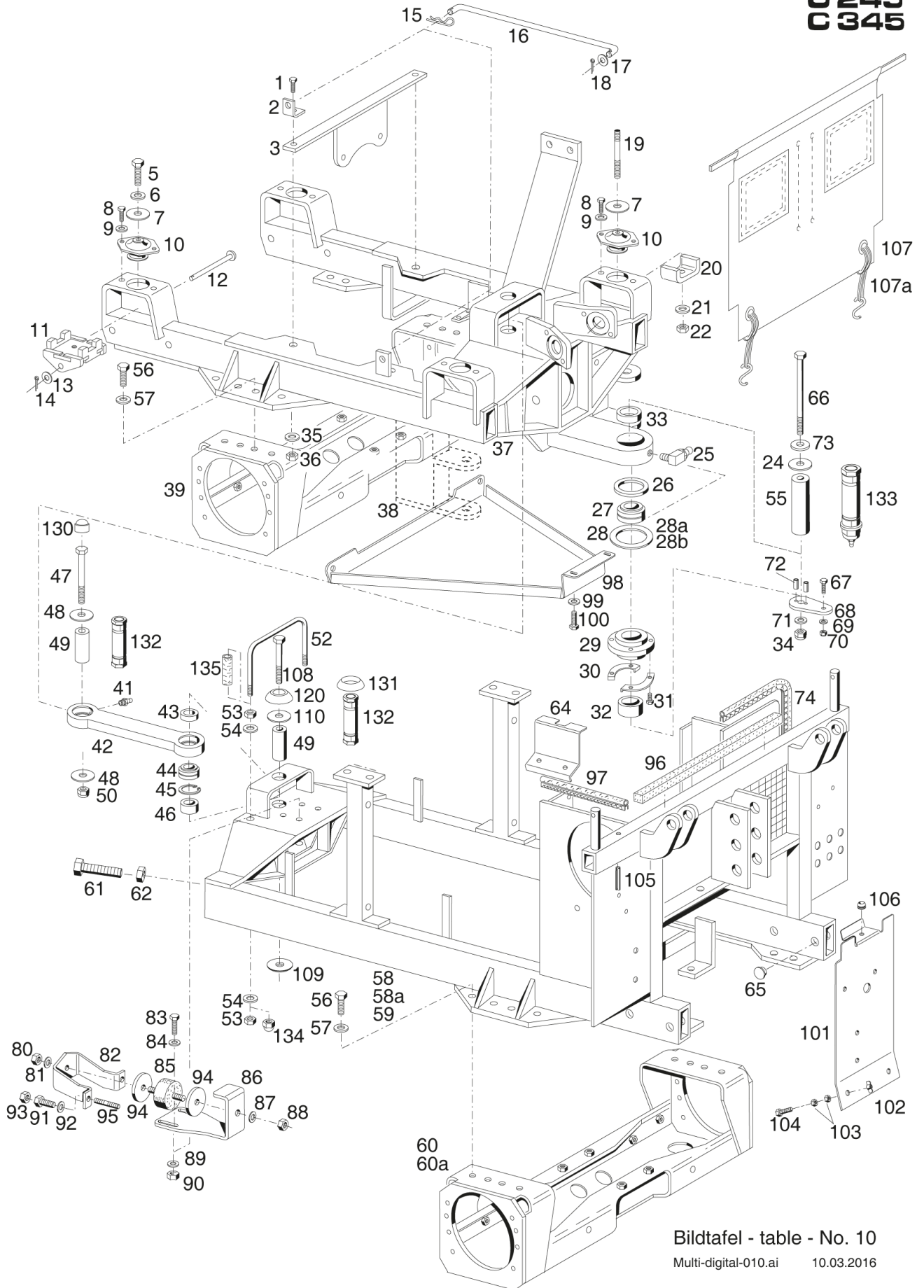


Bildtafel - table - No. 10

Multi-digital-010.ai 10.03.2016

Item no.	Article no.	Description	Quantity
1	011531	6-HEAD SCREW	2
2	135295	ANGLE	1
3	134738	-BRACE ASSY. NL.	1
5	011115	6-HEAD SCREW	2
6	010065	SPRING WASHER	2
7	011327	SHIM	4
8	011525	6-HEAD SCREW	8
9	010064	SPRING WASHER	8
10	110450	CONE	4
11	134372	CABIN SUPPORT	2
12	028531	BOLT	2
13	030091	ADJUSTING DISC	2
14	011735	SPLINT	4
15	014400	LOCKING EYELET	1
16	135294	SUPPORT	1
17	010087	SHIM	1
18	011735	SPLINT	1
19	011641	STUD SCREW	2
20	113597	STOP BRACKET	2
21	010065	SPRING WASHER	2
22	011590	6-HEAD NUT	2
24	023415	SHIM	1
25	010490	LUBRICATING NIPPLE	1
26	023876	GASKET RING	1
27	024933	HINGE BEARING	1
28	119669	SHIM	1
28a	119670	SHIM	1
28b	136342	SHIM	1
29	119383	CAP	1
30	024960	LOCKING TAB	2
31	011511	6-HEAD SCREW	4
32	023873	SPACER TUBE	1
33	134278	SPACER RING	1
34	011687	6-HEAD NUT	1
35	010046	SHIM	2
36	011685	6-HEAD NUT	2
37	139192	FRAME FRONT	1
38	134840	FRAME	1
39	134237	AXLE	1
41	010491	LUBRICATING NIPPLE	2
42	145192	PENDULUM	1
43	134280	SPACER RING	2
44	012775	HINGE BEARING	2
45	010161	LOCKING RING FOR BORE HOLE	2
46	134281	SPACER RING	2
47	011189	6-HEAD SCREW	1
48	023415	SHIM	2
49	134279	PENDULUM BOLT	2
50	011687	6-HEAD NUT	1
52	029528	RETAINING BRACKET	1
53	011590	6-HEAD NUT	4

C 245
C 345

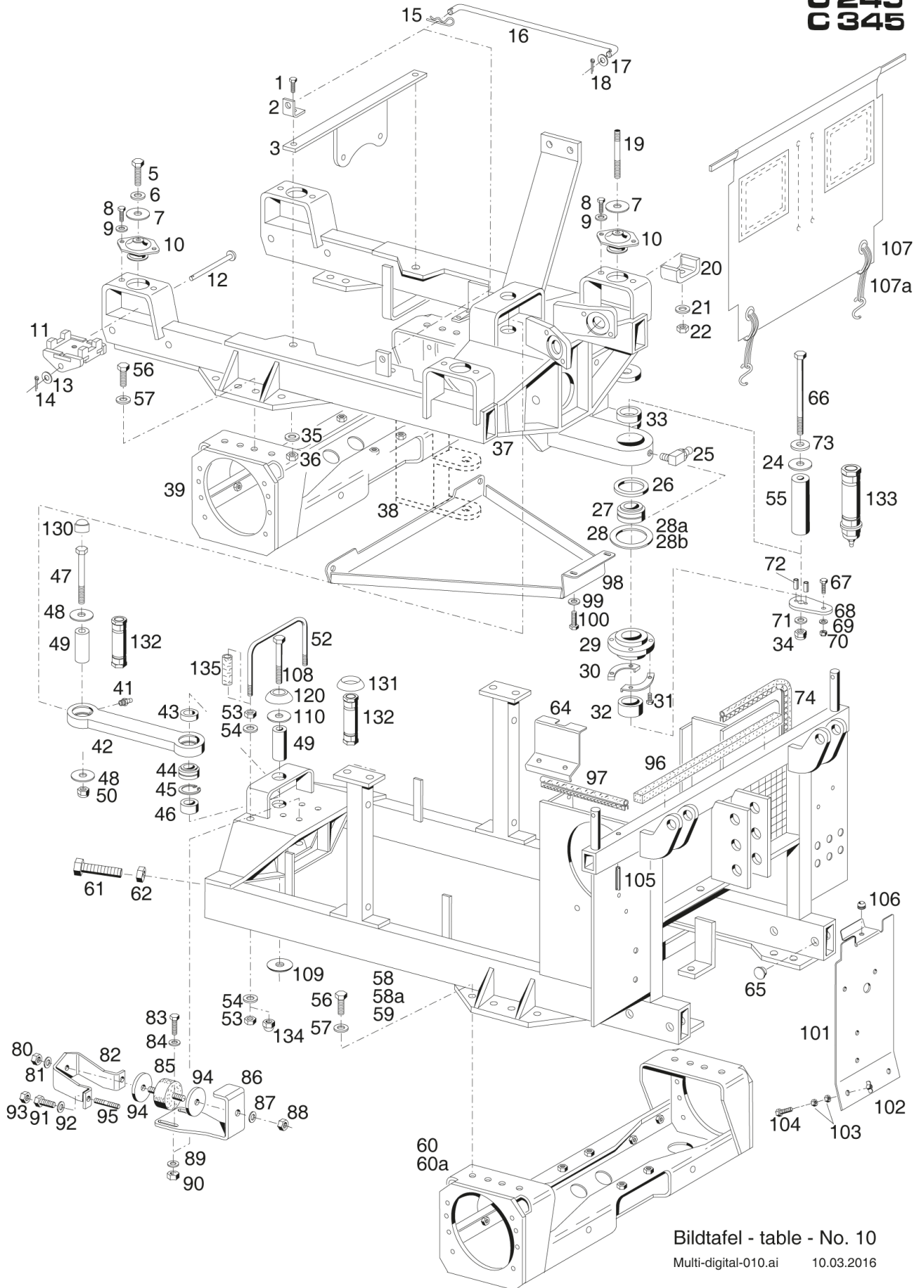


Bildtafel - table - No. 10

Multi-digital-010.ai 10.03.2016

Item no.	Article no.	Description	Quantity
54	010087	SHIM	4
55	134277	JOINT BOLT	1
56	011540	6-HEAD SCREW	16
57	010065	SPRING WASHER	16
58	139191	FRAME REAR	1
58a	147996	FRAME REAR	1
59	134356	FRAME	1
60	134237	AXLE	2
60a	150057	AXLE	2
61	028542	6-HEAD SCREW	2
62	011597	6-HEAD NUT	2
64	137166	137166	2
65	029119	+CLOSURE PLUG D=16.5	4
66	011121	6-HEAD SCREW	1
67	011518	6-HEAD SCREW	1
68	137213	FLAP	1
69	010063	SPRING WASHER	1
70	011935	6-HEAD NUT	1
71	010065	SPRING WASHER	1
72	011968	SPRING PIN	2
73	022373	SHIM	1
74	029151	METAL CRAMP PROFILE	1
80	011585	6-HEAD NUT	1
81	010064	SPRING WASHER	1
82	137803	ANGLE	1
83	011518	6-HEAD SCREW	4
84	010063	SPRING WASHER	4
85	014825	BUFFERS	1
86	137802	ANGLE	1
87	010064	SPRING WASHER	1
88	011585	6-HEAD NUT	1
89	010063	SPRING WASHER	4
90	011579	6-HEAD NUT	4
91	023178	6-HEAD SCREW	2
92	010064	SPRING WASHER	2
93	011585	6-HEAD NUT	2
94	023415	SHIM	2
95	029141	STUD SCREW	2
96	029308	PU-FOAM	1
97	029309	METAL CRAMP PROFILE	1
98	137397	FLOOR PAN	1
99	010044	SHIM	4
100	011511	6-HEAD SCREW	4
101	139447	REAR LIGHT PLATE	1
102	010069	BUTTERFLY NUT	1
103	011579	6-HEAD NUT	4
104	011518	6-HEAD SCREW	2
105	013706	SPRING PIN	1
106	014775	GROMMET	1
107	141340	REAR VALANCE WITHOUT APERTURE	1
107a	141341	REAR VALANCE WITH APERTURE	1

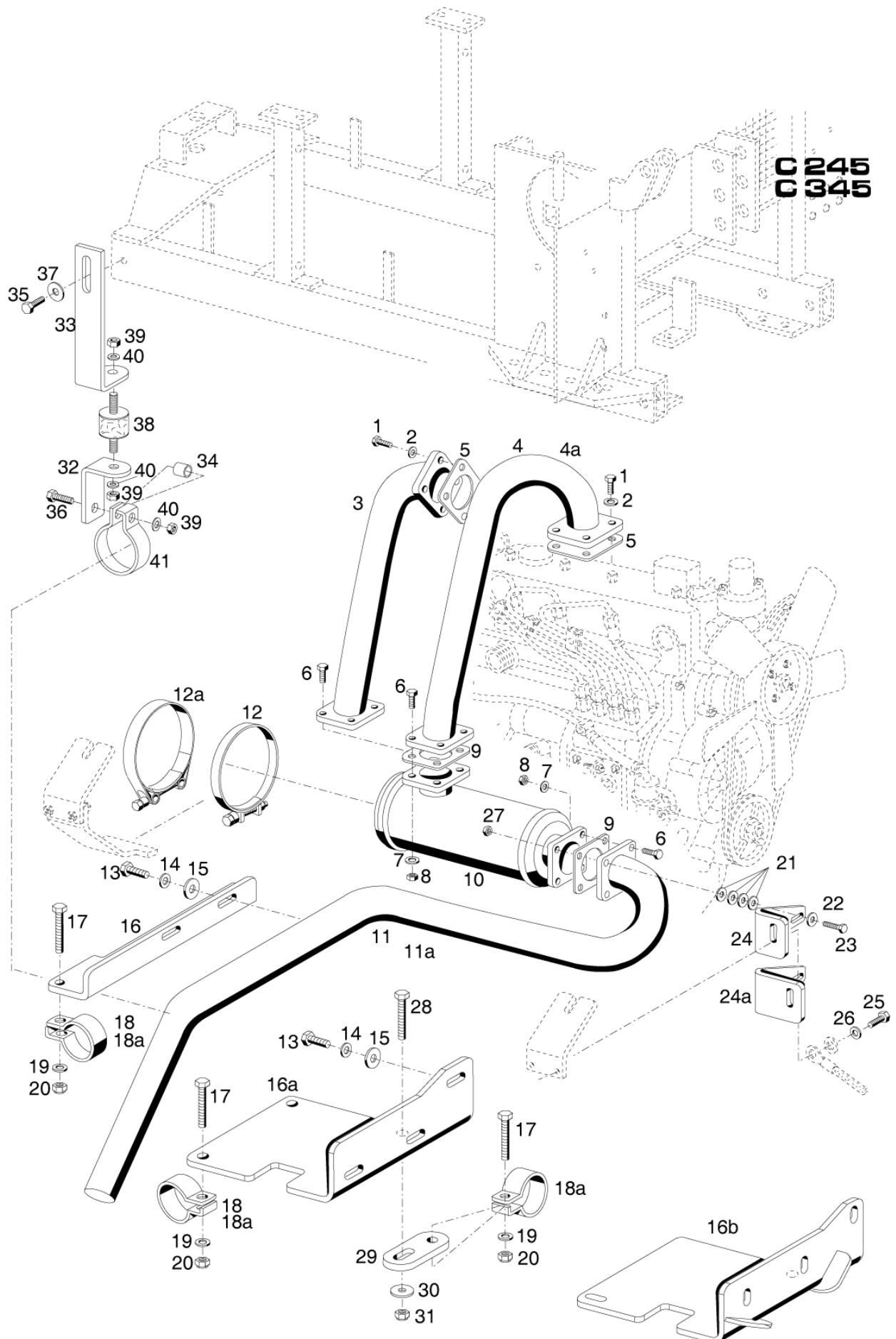
C 245
C 345



Bildtafel - table - No. 10

Multi-digital-010.ai 10.03.2016

Item no.	Article no.	Description	Quantity
108	011117	6-HEAD SCREW	1
109	148200	CAP NUT	1
110	023415	SHIM	1
120	150172	CAP DISC	1
130	027483	BONNET	1
131	152219	CAP DISC	1
132	151940	BOLT	2
133	151938	BOLT	1
134	031881	REDUCING CONNECTOR	2
135	026978	HIGH-PRESSURE HOSE	2



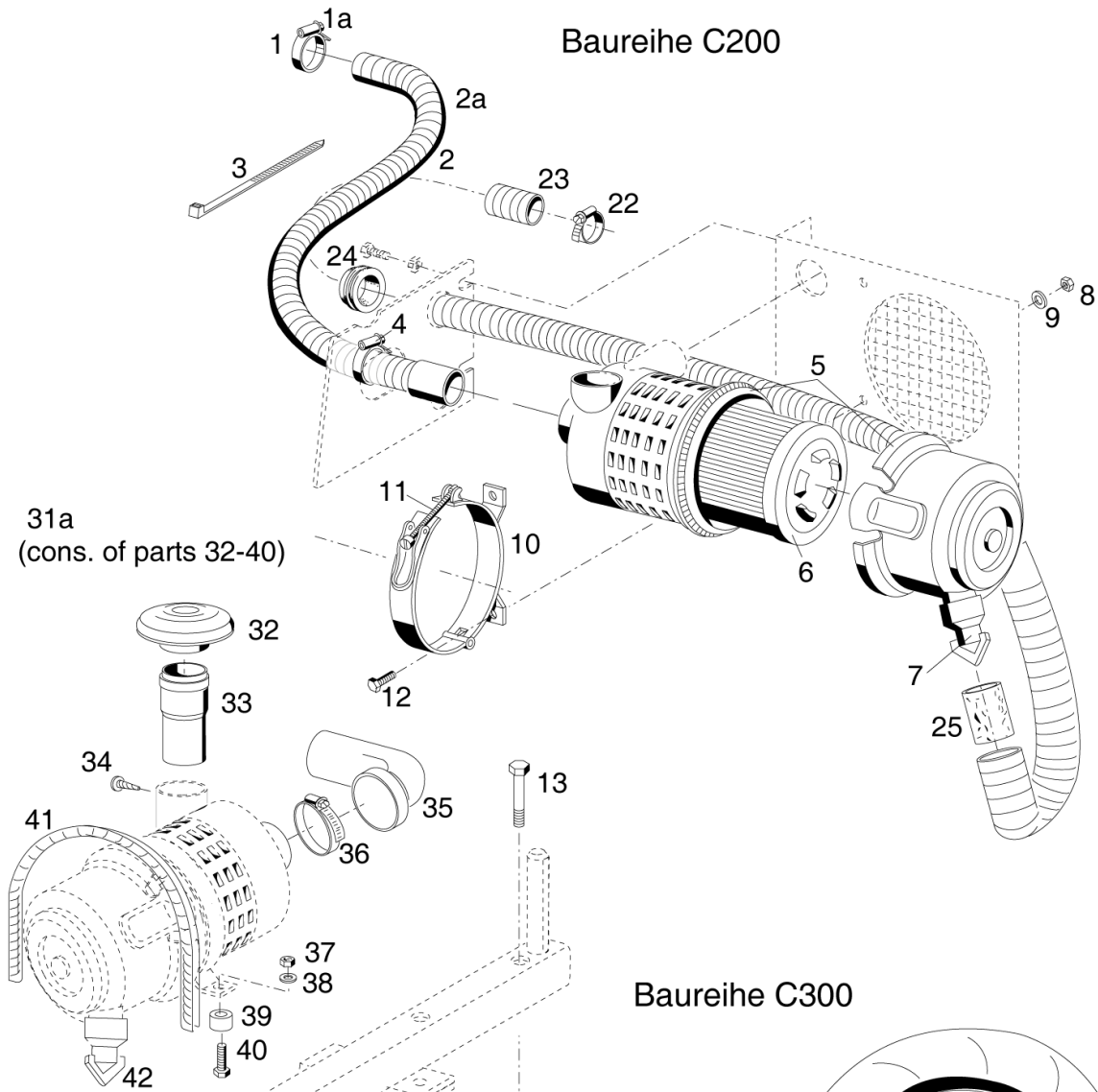
Bildtafel - table - No. 12

Multi-digital-012.ai

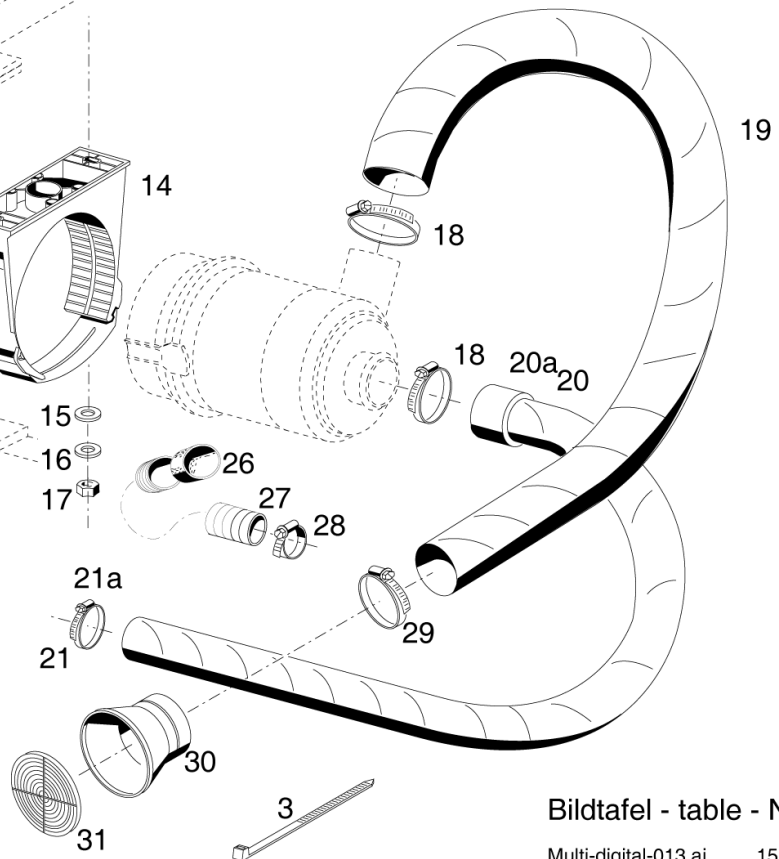
20.01.10

Item no.	Article no.	Description	Quantity
1	011511	6-HEAD SCREW	4
2	011140	SPRING RING	4
3	134406	EXHAUST INTERMEDIATE PIPE	1
4	134404	EXHAUST INTERMEDIATE PIPE	1
4a	134408	EXHAUST INTERMEDIATE PIPE	1
5	783711	Gasket	1
6	011514	6-HEAD SCREW	7
7	010063	SPRING WASHER	7
8	011579	6-HEAD NUT	7
9	114231	TAILPIPE GASKET	2
10	134875	TAILPIPE	1
11	134858	+TAIL PIPE ASSY. NL.	1
11a	143692	EXHAUST TAILPIPE	1
12	028590	+PIPE CLAMP	2
12a	031243	JOINT BOLD CLAMP	2
13	011511	6-HEAD SCREW	3
14	010063	SPRING WASHER	3
15	010044	SHIM	3
16	135299	ANGLE BRACKET	1
16a	143546	angle	1
16b	146625	ANGLE BRACKET	1
17	011520	6-HEAD SCREW	2
18	023287	PIPE CLAMP	3
18a	031878	PIPE CLAMP	3
19	010063	SPRING WASHER	2
20	022205	LOCK NUT	2
21	012537	SHIM	1
22	012537	SHIM	1
23	011173	6-HEAD SCREW	1
24	136208	HOLDER	1
24a	136615	HOLDER	1
25	023768	6-HEAD SCREW	1
26	016505	SHIM	1
27	022205	LOCK NUT	1
28	011514	6-HEAD SCREW	1
29	145546	FLAP	1
30	028085	SHIM	1
31	022205	LOCK NUT	1
32	153030	ANGLE	1
33	153031	ANGLE	1
34	153121	SPACER UNIT	1
35	028102	6-HEAD SCREW	1
36	031913	6-HEAD SCREW	1
37	028085	SHIM	1
38	014820	BUFFERS	1
39	011268	6-HEAD NUT	3
40	031456	SPRING WASHER	3
41	031878	PIPE CLAMP	1

Baureihe C200



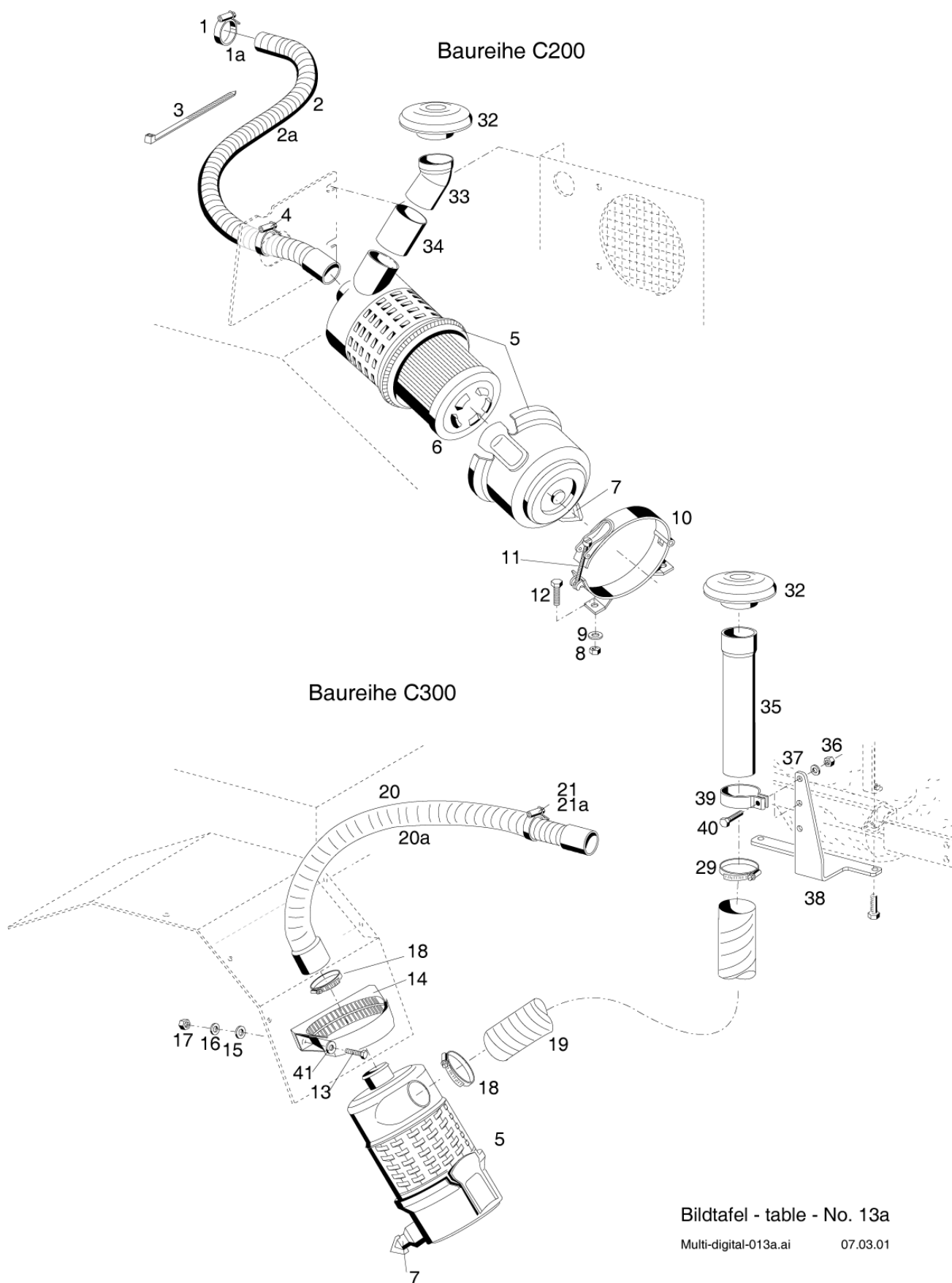
Baureihe C300



Bildtafel - table - No. 13

Multi-digital-013.ai 15.02.2017

Item no.	Article no.	Description	Quantity
1	010910	HOSE CLAMP	1
1a	010902	HOSE CLIP NIRO25-40	1
2	028562	CLEAN AIR HOSE	1
2a	028563	CLEAN AIR HOSE	1
3	027250	CABLE BAND	1
4	010927	HOSE CLAMP	1
5	134709	AIR FILTER	1
6	134798	SPARE CARTRIDGE	1
7	029724	DUST DRAINAGE VALVE	1
8	011579	6-HEAD NUT	2
9	010063	SPRING WASHER	2
10	126774	QUICK LOCKING CLAMP	1
11	028803	6-HEAD SCREW	1
12	011509	6-HEAD SCREW	2
13	013488	6-HEAD SCREW	2
14	134710	-MOUNT	1
15	010044	SHIM	2
16	010063	SPRING WASHER	2
17	011579	6-HEAD NUT	2
18	010927	HOSE CLAMP	2
19	028565	+ UNTREATED AIR HOSE	1
20	028562	CLEAN AIR HOSE	1
20a	028564	+CLEAN AIR HOSE	1
21	010910	HOSE CLAMP	1
21a	030722	HOSE CLAMP	1
22	030722	HOSE CLAMP	1
23	029122	+CORRUGATED HOSE	1
24	014678	HOSE SEAL	1
25	029120	SHRINK HOSE	1
26	029120	SHRINK HOSE	1
27	029124	+CORRUGATED HOSE	1
28	030722	HOSE CLAMP	1
29	010927	HOSE CLAMP	1
30	105050	TUBE	1
31	105051	WIDE SPRAY INSERT	1
31a	138110	air filter	1
32	026791	RAIN CAP	1
33	138107	PIPE	1
34	028910	SCREW	3
35	138108	SIPHON ANGLE	1
36	024902	HOSE CLAMP Z52	1
37	011579	6-HEAD NUT	2
38	010063	SPRING WASHER	2
39	134285	SPACER RING	2
40	011518	6-HEAD SCREW	2
41	029422	METAL CRAMP PROFILE	1
42	029724	DUST DRAINAGE VALVE	1

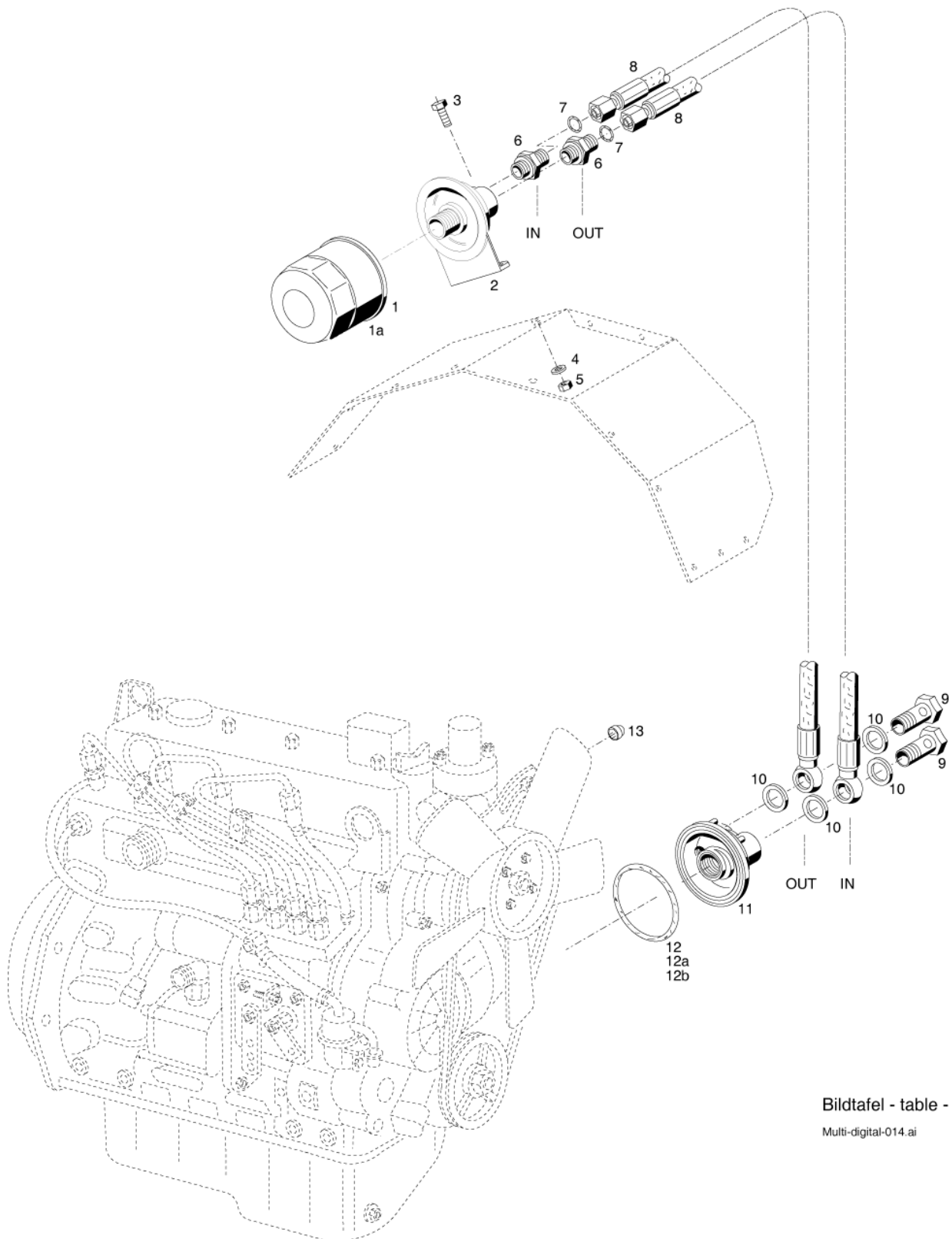


Bildtafel - table - No. 13a

Multi-digital-013a.ai

07.03.01

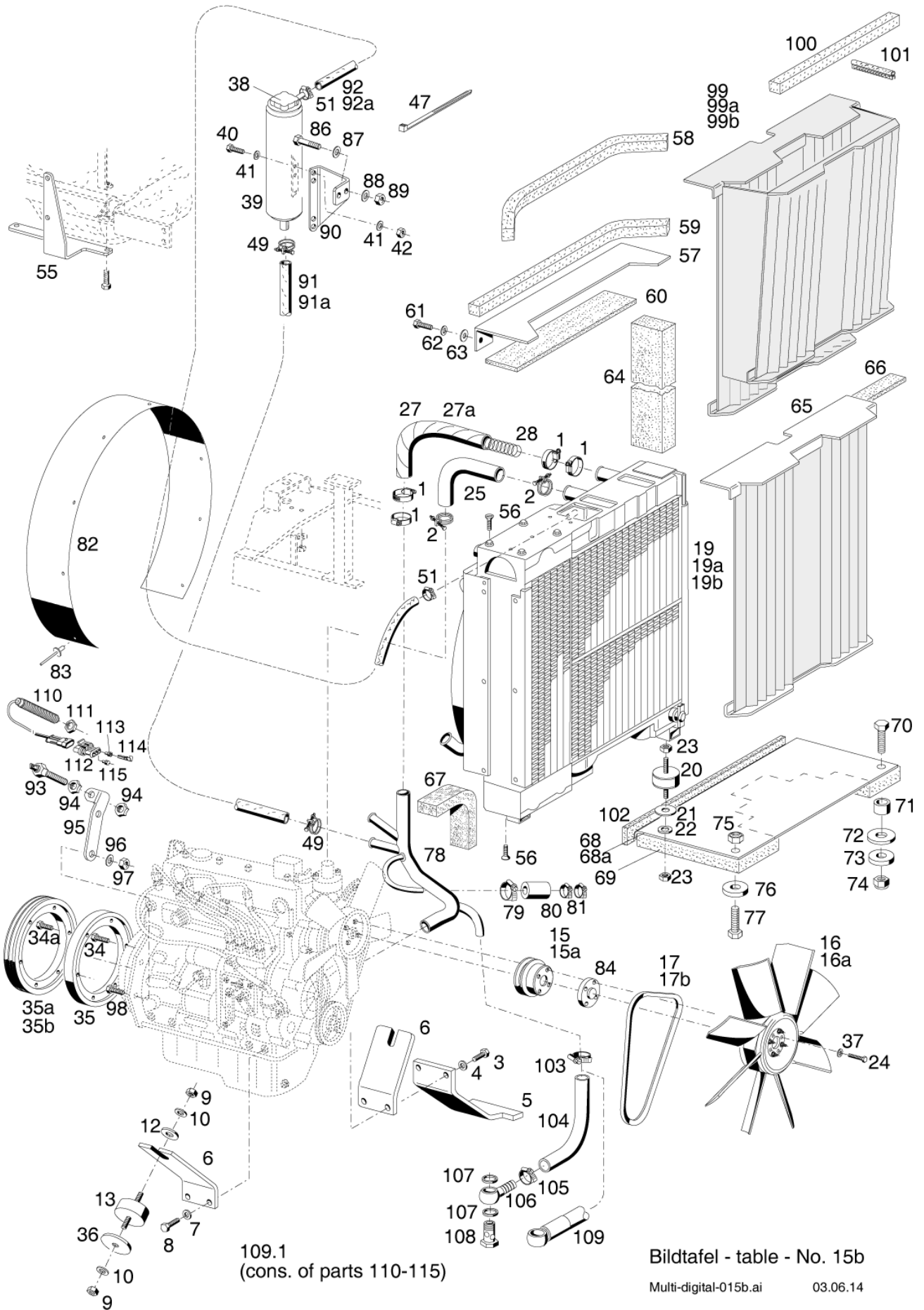
Item no.	Article no.	Description	Quantity
1	010910	HOSE CLAMP	1
1a	030722	HOSE CLAMP	1
2	028562	CLEAN AIR HOSE	1
2a	028563	CLEAN AIR HOSE	1
3	027250	CABLE BAND	1
4	010927	HOSE CLAMP	1
5	134709	AIR FILTER	1
6	134798	SPARE CARTRIDGE	1
7	029724	DUST DRAINAGE VALVE	1
8	011579	6-HEAD NUT	2
9	010063	SPRING WASHER	2
10	126774	QUICK LOCKING CLAMP	1
11	028803	6-HEAD SCREW	1
12	011509	6-HEAD SCREW	2
13	011518	6-HEAD SCREW	2
14	134710	-MOUNT	1
15	010044	SHIM	2
16	010063	SPRING WASHER	2
17	011579	6-HEAD NUT	2
18	010927	HOSE CLAMP	2
19	029554	-UNTREATED AIR HOSE	1
20	028562	CLEAN AIR HOSE	1
20a	028564	+CLEAN AIR HOSE	1
21	010910	HOSE CLAMP	1
21a	030722	HOSE CLAMP	1
29	010927	HOSE CLAMP	1
32	026791	RAIN CAP	1
33	139358	ANGLE	1
34	029121	SHRINK HOSE	1
35	139357	-TUBE (sawed off)	1
36	011935	6-HEAD NUT	2
37	011063	INNER-6-HEAD SCREW	2
38	136591	-HOLDER C345	1
39	015798	PIPE CLAMP	2
40	011520	6-HEAD SCREW	2
41	012537	SHIM	2



Bildtafel - table - No. 14

Multi-digital-014.ai 15.05.09

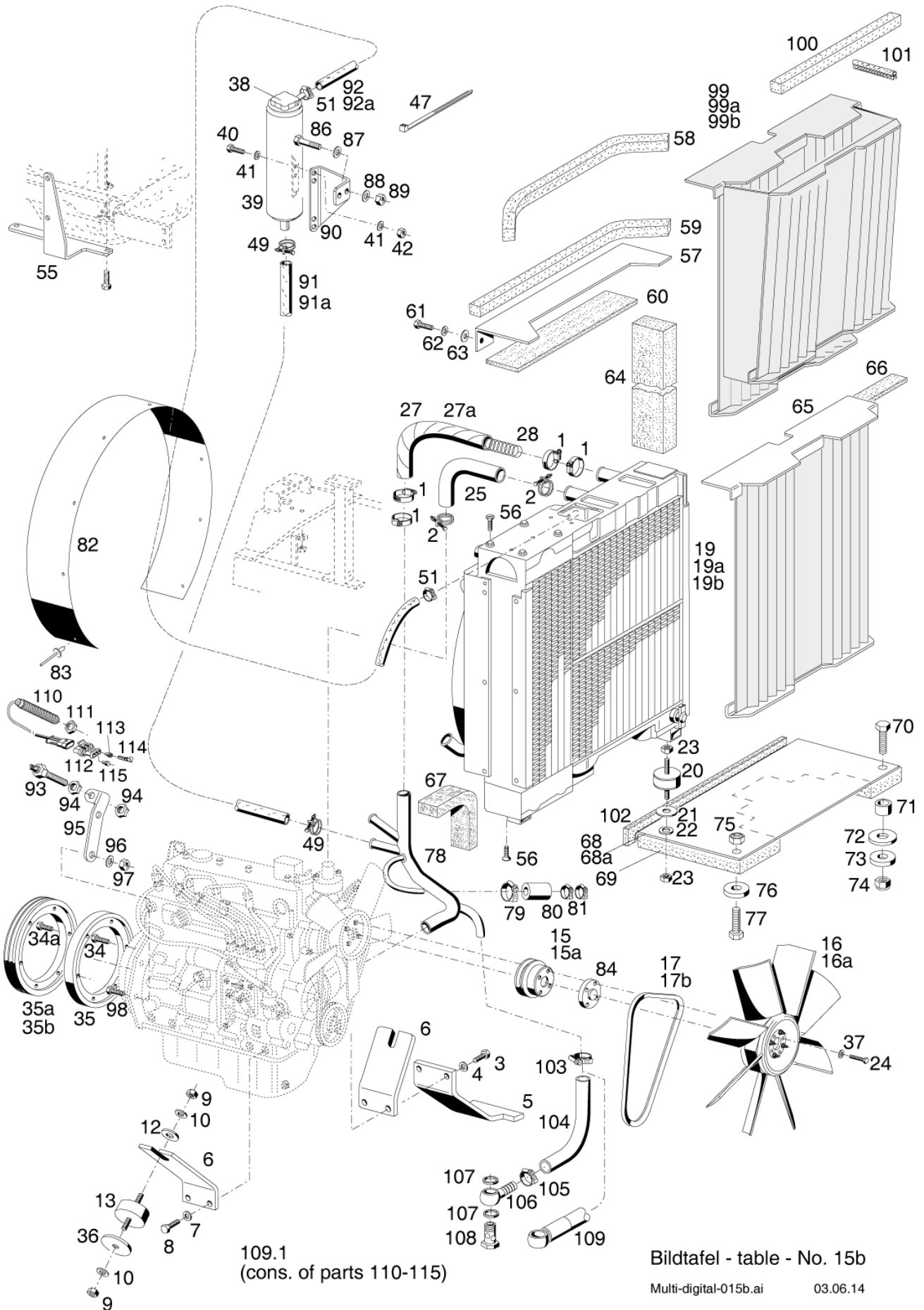
Item no.	Article no.	Description	Quantity
1	024049	EXCHANGE FILTER	1
1a	029723	EXCHANGE FILTER	1
2	136463	FILTER HOLDER WITH SUPPORT	1
3	011511	6-HEAD SCREW	3
4	010063	SPRING WASHER	3
5	011579	6-HEAD NUT	3
6	029004	STRAIGHT SCREW-IN FITTING	2
7	014740	O-RING SEAL	2
8	028995	HOSE LINE	2
9	025290	HOLLOW SCREW	2
10	010394	GASKET RING	4
11	136462	FILTER CAP	1
12	012675	O-RING SEAL	1
12a	029026	FLAT SEAL RING	1
12b	029097	FLAT GASKET	1
13	131941	BONNET	1



Bildtafel - table - No. 15b

Multi-digital-015b.ai 03.06.14

Item no.	Article no.	Description	Quantity
1	030722	HOSE CLAMP	4
2	026580	WIRE BAR CLAMP	2
3	023768	6-HEAD SCREW	2
4	010064	SPRING WASHER	2
5	134265	HOLDER	1
6	134304	ANGLE	4
7	010064	SPRING WASHER	6
8	023767	6-HEAD SCREW	6
9	011585	6-HEAD NUT	8
10	010064	SPRING WASHER	8
12	015680	PROOF WASHER	1
13	014825	BUFFERS	4
15	799206	V-BELT PULLEY	1
15a	799207	V-BELT PULLEY	1
16	137165	SUCTION FAN	1
16a	799208	799208	1
17	784056	V-BELT	1
17b	784043	V-BELT	1
19	140911	COOLER, SIDE-BY-SIDE	1
19a	137419	137419	1
19b	145537	COOLER, SIDE-BY-SIDE	1
20	014825	BUFFERS	2
21	014912	SHIM	2
22	010064	SPRING WASHER	2
23	011585	6-HEAD NUT	4
24	011888	Screw	4
25	797117	COOLER LINE	1
27	028929	+RADIATOR HOSE	1
27a	029543	COOLER LINE	1
28	029100	+COMPRESSION SPRING	1
34	011520	6-HEAD SCREW	6
34a	011173	6-HEAD SCREW	6
35	136061	+EXTRA FLYWHEEL MASS	1
35a	143004	2 GROOVE FLYWHEEL MASS	1
35b	143005	2 GROOVE FLYWHEEL MASS	1
36	023415	SHIM	4
37	011742	SPRING WASHER	4
38	136660	CAP FOR COMPENSATION TANK	1
39	136586	COMPENSATION TANK WITH COVER	1
40	011514	6-HEAD SCREW	2
41	010044	SHIM	4
42	011935	6-HEAD NUT	2
47	027250	CABLE BAND	5
49	030720	HOSE CLAMP	2
51	030719	HOSE CLAMP	2
55	136591	-HOLDER C345	1
56	028256	COUNTERSUNK SCREW	4
57	136730	COVER PLATE	1
58	029144	PU-FOAM C300	1
59	029143	PU-FOAM C200	1
60	029057	PU-FOAM	1

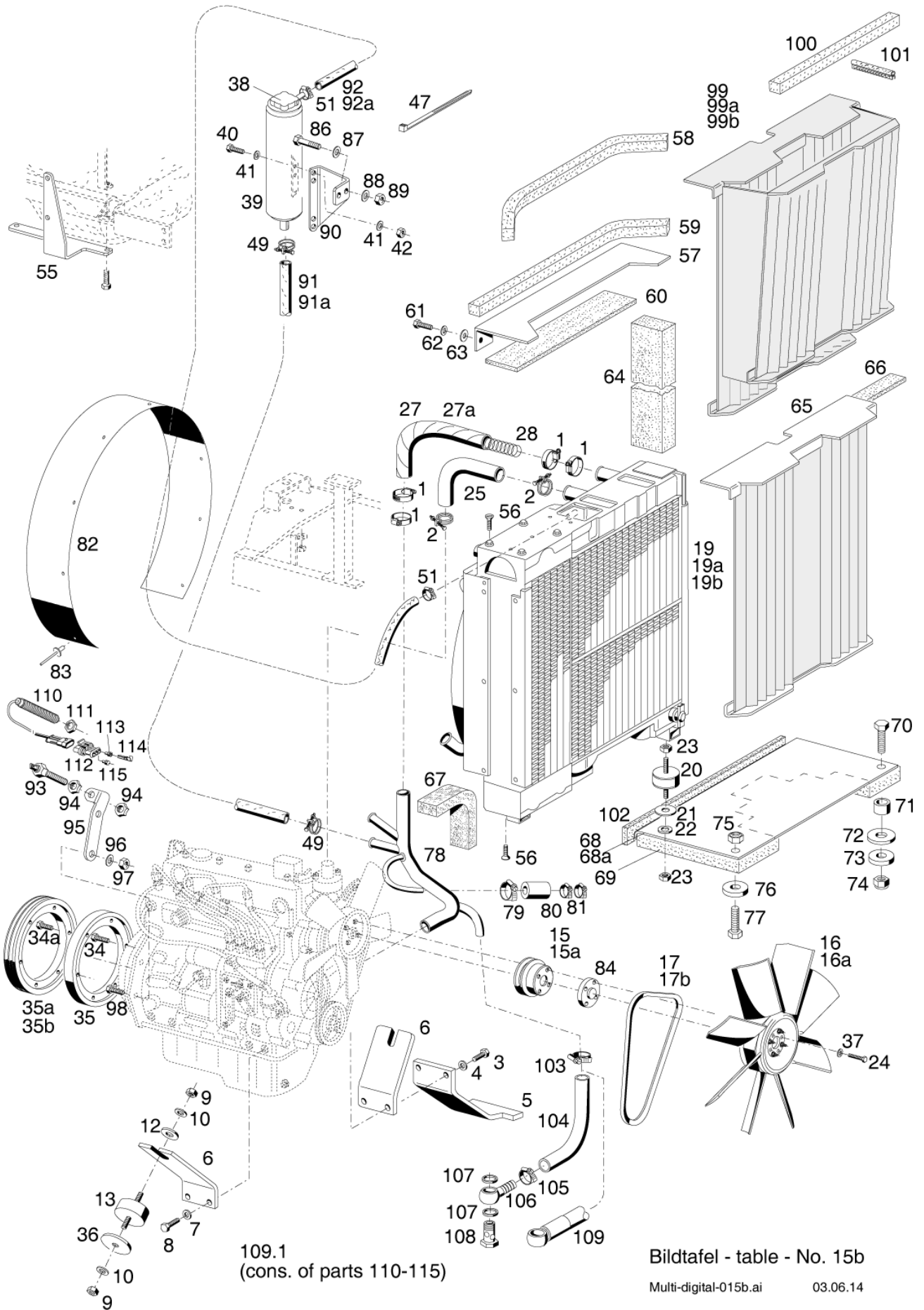


109.1
(cons. of parts 110-115)

Bildtafel - table - No. 15b

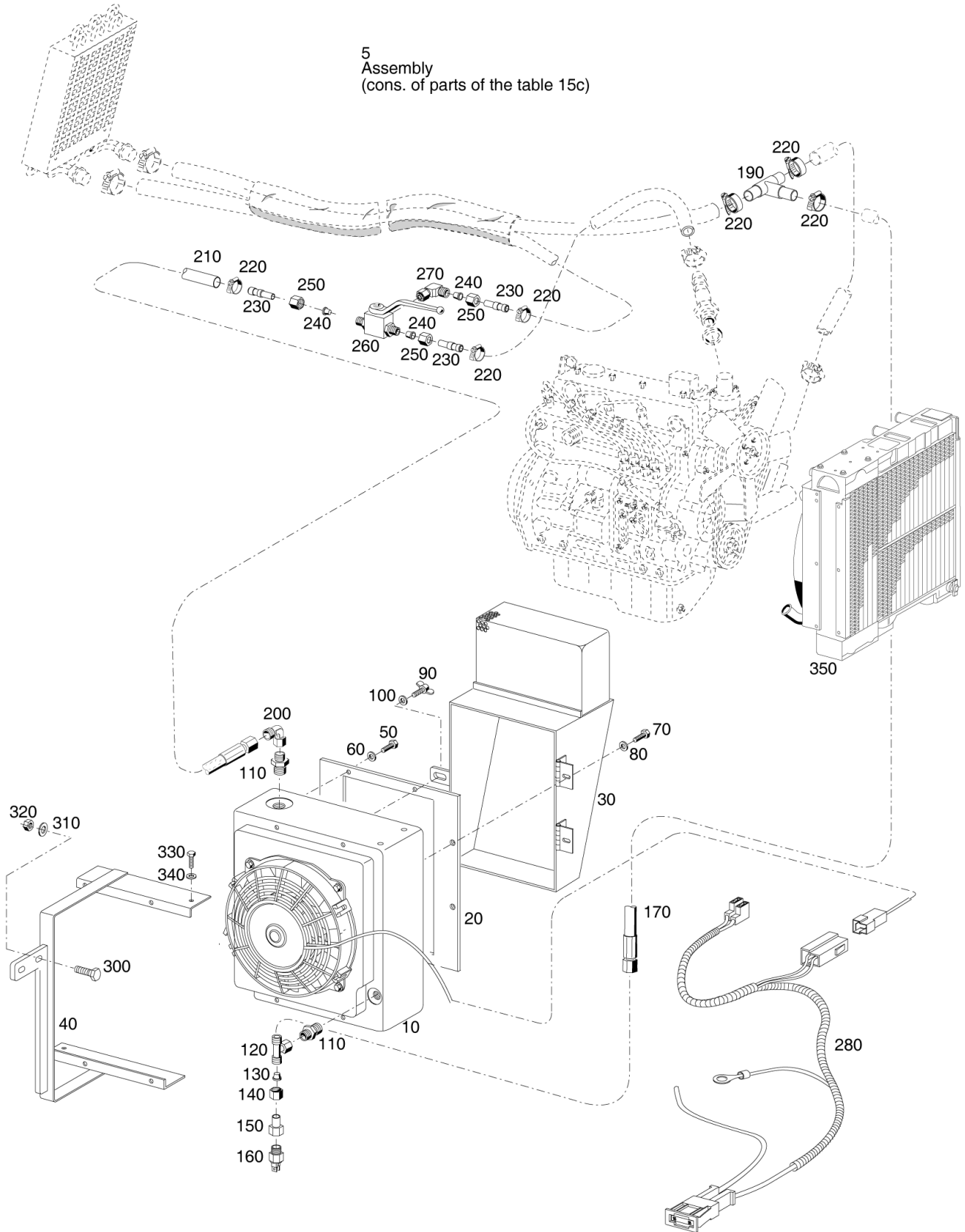
Multi-digital-015b.ai 03.06.14

Item no.	Article no.	Description	Quantity
61	011511	6-HEAD SCREW	2
62	010044	SHIM	2
63	010063	SPRING WASHER	2
64	136847	COOLER SEAL	2
65	136759	+SLIDING GRILLE ASSY. NL.	1
66	029145	PU-FOAM	1
67	136848	COOLER SEAL	2
68	136729	COVER PLATE	1
68a	136749	-COVERING PANEL C345	1
69	136960	COOPER LINE	1
70	011557	6-HEAD SCREW	2
71	015455	SPACER TUBE	2
72	032092	SHIM	2
73	032092	SHIM	2
74	024184	6-HEAD NUT	2
75	024184	6-HEAD NUT	2
76	030912	SHIMDIN 125 A 15	2
77	011557	6-HEAD SCREW	2
78	136578	PIPE	1
79	030720	HOSE CLAMP	1
80	029148	End cap	1
81	030719	HOSE CLAMP	2
82	137402	RADIATOR SCOOP EXTENSION	1
83	027936	BLANK RIVET	8
84	796343	Spacer unit	1
86	011088	6-HEAD SCREW	2
87	010044	SHIM	2
88	010063	SPRING WASHER	2
89	011579	6-HEAD NUT	2
90	137236	HOLDER	1
91	029032	HOT WATER HOSE	1
91a	029033	-HOT WATER HOSE C345	1
92	024322	CONNECTING HOSE	1
92a	029030	CONNECTING HOSE	1
93	128337	SPEED SENSOR INDUCTIVE	1
94	010102	6-HEAD NUT	2
95	137857	-ANGLE BRACKET C245/345	1
96	010063	SPRING WASHER	2
97	011579	6-HEAD NUT	2
98	011514	6-HEAD SCREW	2
99	140063	BASKET	1
99a	139443	BASKET	1
99b	140071	-BASKET ASSY. NL. TIPPING UNIT. C345	1
100	029566	-PU-FOAM	1
101	029567	METAL CLIP PROFILE	1
102	029145	PU-FOAM	1
103	030720	HOSE CLAMP	1
104	027102	RETURN FLOW HOSE	1
105	030720	HOSE CLAMP	1
106	030346	LOW PRESSURE EYES RING NIPPLE	1
107	010401	GASKET RING	2



Item no.	Article no.	Description	Quantity
108	025293	HOLLOW SCREW	1
109	031023	LOW PRESSURE HOSE	1
109.1	149964	inductive transmitterDREHZAHL M18X1,5) ET-UMFANG	1
110	149124	INDUCTIVE TRANSMITTER FOR ENGINE SPEED	1
111	010102	6-HEAD NUT	1
112	030325	SOCKET HOUSING	1
113	030140	SINGLE WIRE SEAL	2
114	030139	SOCKET CONTACT	2
115	030141	BLIND PLUG	1

5
Assembly
(cons. of parts of the table 15c)



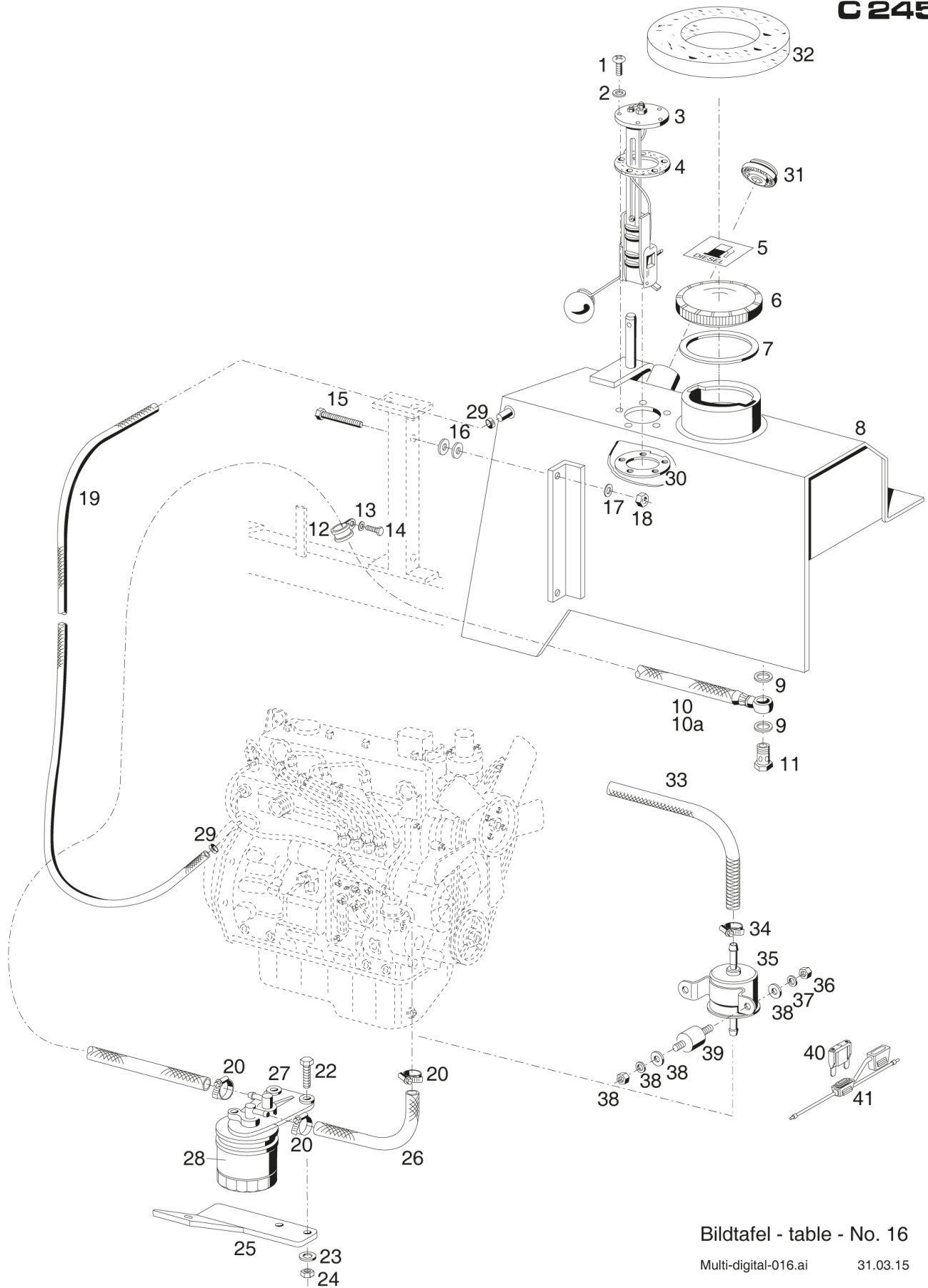
Bildtafel - table - No. 015c

Multi-digital-015c.ai

03.06.14

Item no.	Article no.	Description	Quantity
5	148789	ADDITIONAL COOLER	1
10	148790	WATER COOLER	1
20	149022	FRAME FRONT ASSY. NL	1
30	148798	INTAKE FUNNEL	1
40	148791	HOLDER	1
50	011502	6-HEAD SCREW	4
60	011742	SPRING WASHER	4
70	011154	6-HEAD SCREW	2
80	010464	SHIM	2
90	014068	BUTTERFLY SCREW	1
100	011742	SPRING WASHER	1
110	028603	STRAIGHT SCREW-IN FITTING	2
120	028620	ADJUSTABEL L-FITTING	1
130	015752	PROFILE RING	1
140	015727	UNION NUT	1
150	031070	CONNECTING NIPPLE	1
160	031071	TEMPERATURE SWITCHER	1
170	031097	LOW PRESSURE HOSE	1
190	132283	T-PIECE	1
200	028624	ADJUTABEL ANGEL BRACKET	1
210	031098	LOW PRESSURE HOSE	1
220	030720	HOSE CLAMP	6
230	126486	HOSE NOZZLE	3
240	015751	PROFILE RING	3
250	015725	UNION NUT	1
260	023920	THREE WAY BALL VALVE	1
270	028615	ADJUTABEL ANGEL BRACKET	1
280	149026	CABLE SET	1
300	011514	6-HEAD SCREW	2
310	010063	SPRING WASHER	2
320	011579	6-HEAD NUT	2
330	011154	6-HEAD SCREW	2
340	011742	SPRING WASHER	2
350	145537	COOLER, SIDE-BY-SIDE	1

**HOLDER
C 245**

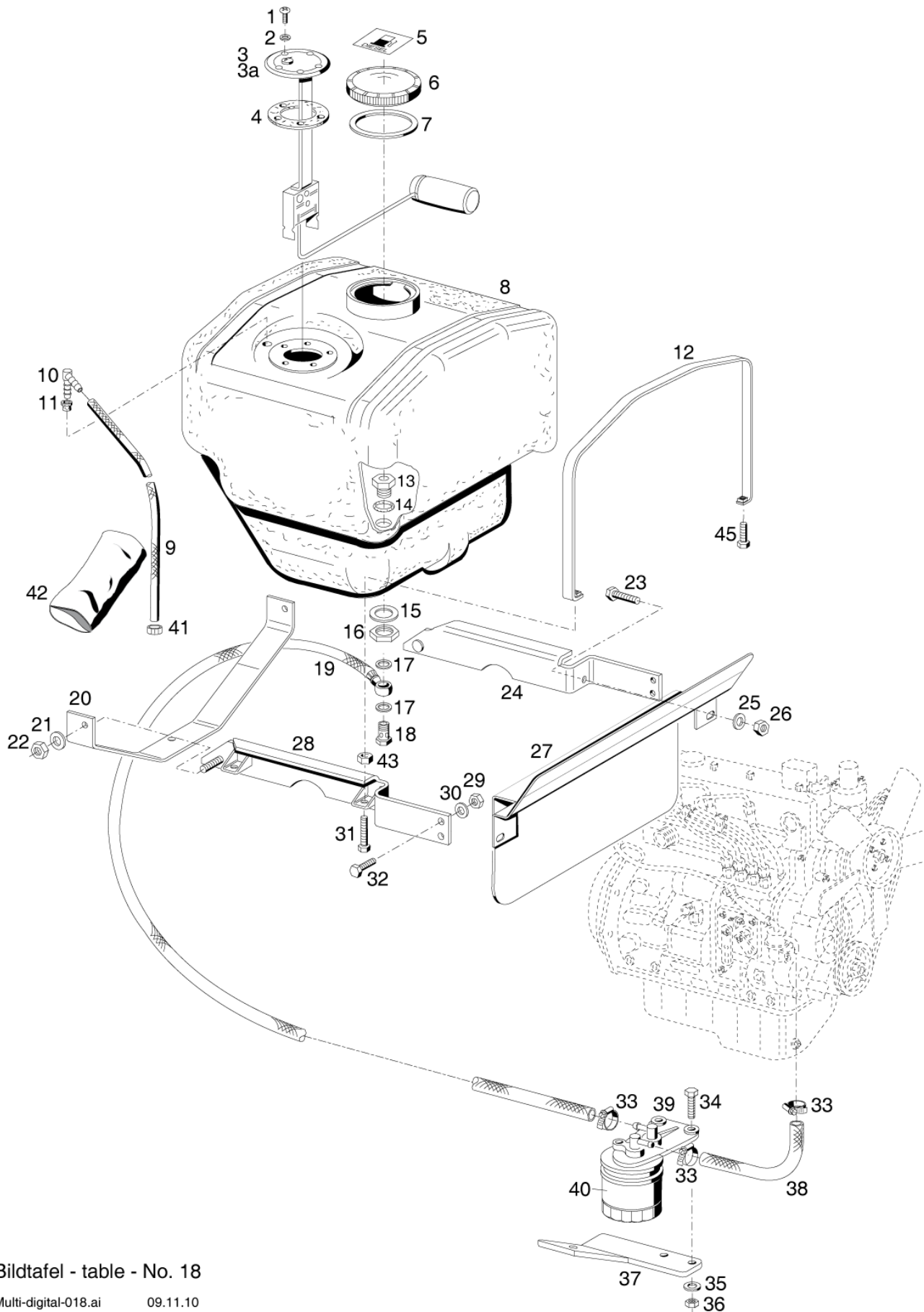


Bildtafel - table - No. 16

Multi-digital-016.ai

31.03.15

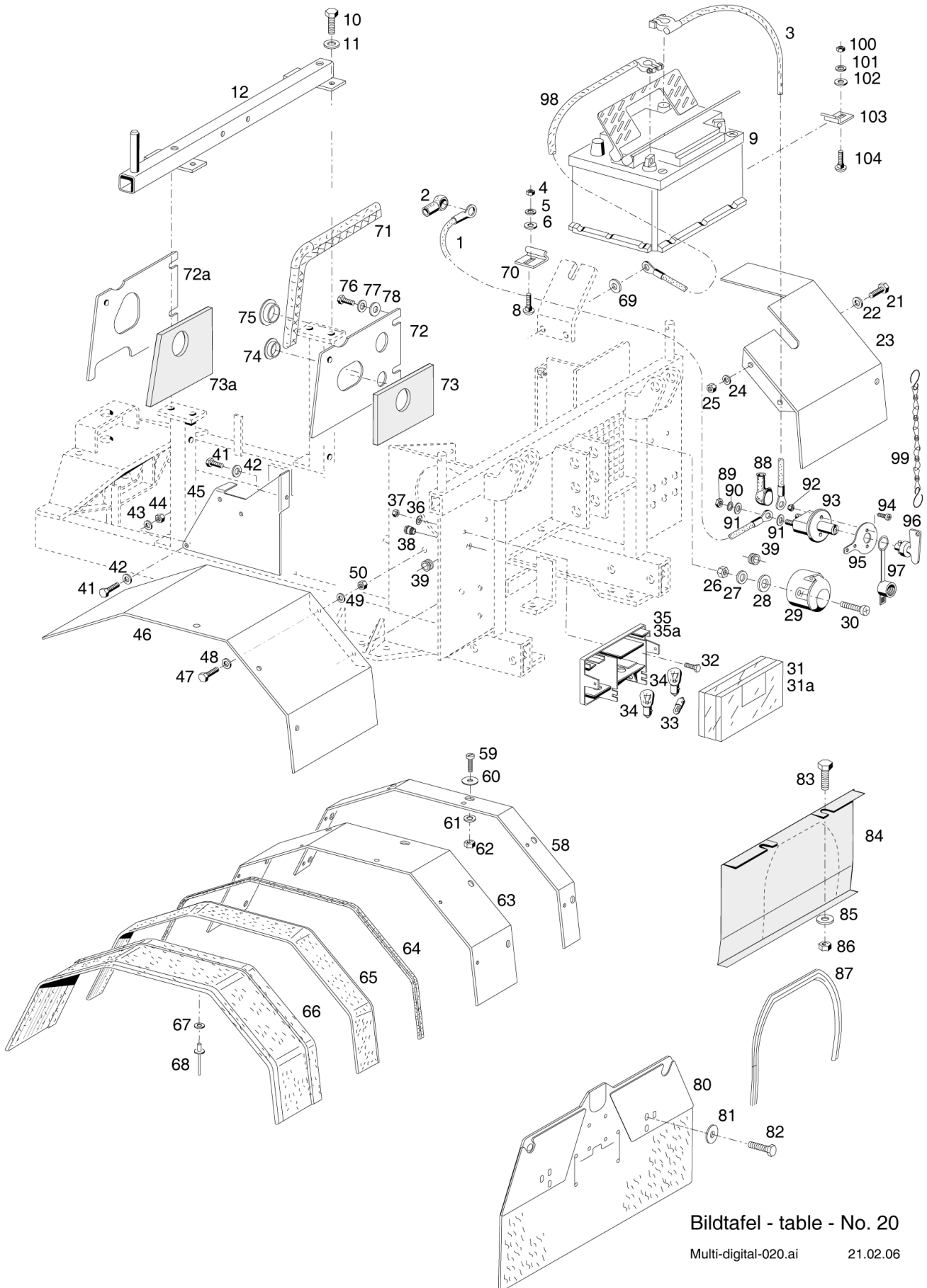
Item no.	Article no.	Description	Quantity
1	010460	LENS HEAD SCREW	5
2	024287	GASKET RING	5
3	134468	FUEL DELIVERY	1
4	010991	FLAT SEAL RING	1
5	023266	INFORMATION SIGN	1
6	014859	FUEL CAP	1
7	014763	FLAT SEAL RING	1
8	134720	FUEL TANK	1
9	010391	GASKET RING	2
10	126078	FUEL PIPE	1
10a	155942	FUEL HOSE	1
11	025289	HOLLOW SCREW	1
12	026557	PIPE CLAMP WITH RUBBER PROFILE	1
13	010063	SPRING WASHER	1
14	011511	6-HEAD SCREW	1
15	011533	6-HEAD SCREW	2
16	025055	SHIM	4
17	010064	SPRING WASHER	2
18	011585	6-HEAD NUT	2
19	028748	LEAKAGE OIL HOSE	1
20	030719	HOSE CLAMP	3
22	011511	6-HEAD SCREW	2
23	010063	SPRING WASHER	2
24	011579	6-HEAD NUT	2
25	134305	ANGLE	1
26	028788	FUEL HOSE	1
27	796332	fuel filter	1
28	783606	FILTER CARTRIDGE	1
29	029689	HOSE CLAMP	2
30	136674	RING	2
31	029324	FUEL TANK CAP	1
32	029515	SEALING RING	1
33	028788	FUEL HOSE	1
34	030719	HOSE CLAMP	2
35	798594	FUEL PUMP	1
36	011577	6-HEAD NUT	2
37	011742	SPRING WASHER	2
38	011749	SHIM	2
39	014823	BUFFERS	2
40	026049	FLAT BLADE FUSE	1
41	031315	FUSE HOLDER WITH COVER	1



Bildtafel - table - No. 18

Multi-digital-018.ai 09.11.10

Item no.	Article no.	Description	Quantity
1	010459	LENS HEAD SCREW	5
2	024287	GASKET RING	6
3	110329	FUEL DELIVERY	1
3a	154058	FUEL DELIVERY	1
4	010991	FLAT SEAL RING	1
5	023266	INFORMATION SIGN	1
6	014859	FUEL CAP	1
7	014763	FLAT SEAL RING	1
8	135349	FUEL TANK	1
9	028962	LEAKAGE OIL HOSE	1
10	126955	ANGLE HOSE CONNECTOR	1
11	127054	RUBBER COLLAR	1
12	018748	TENSION STRIP	2
13	133793	THREADED NIPPLES	1
14	014742	O-RING SEAL	1
15	016501	SHIM	1
16	016249	6-HEAD NUT	1
17	010391	GASKET RING	2
18	025289	HOLLOW SCREW	1
19	126078	FUEL PIPE	1
20	134364	-HOLDER C345	1
21	014912	SHIM	2
22	011685	6-HEAD NUT	2
23	011509	6-HEAD SCREW	2
24	134365	-SUPPORT STRIP, RIGHT ASSY. NL.	1
25	010063	SPRING WASHER	2
26	011579	6-HEAD NUT	2
27	137058	-THERMAL INSULATOR PLATE C345	1
28	134367	SUPPORTING PLATE RIGHT	1
29	011579	6-HEAD NUT	4
30	010063	SPRING WASHER	4
31	011520	6-HEAD SCREW	2
32	011511	6-HEAD SCREW	4
33	030719	HOSE CLAMP	3
34	011514	6-HEAD SCREW	2
35	010063	SPRING WASHER	2
36	011579	6-HEAD NUT	2
37	134305	ANGLE	1
38	028788	FUEL HOSE	1
39	796332	fuel filter	1
40	783606	FILTER CARTRIDGE	1
41	029689	HOSE CLAMP	1
42	031804	PROTECTIVE HOSE	2
43	011585	6-HEAD NUT	2
45	011514	6-HEAD SCREW	2

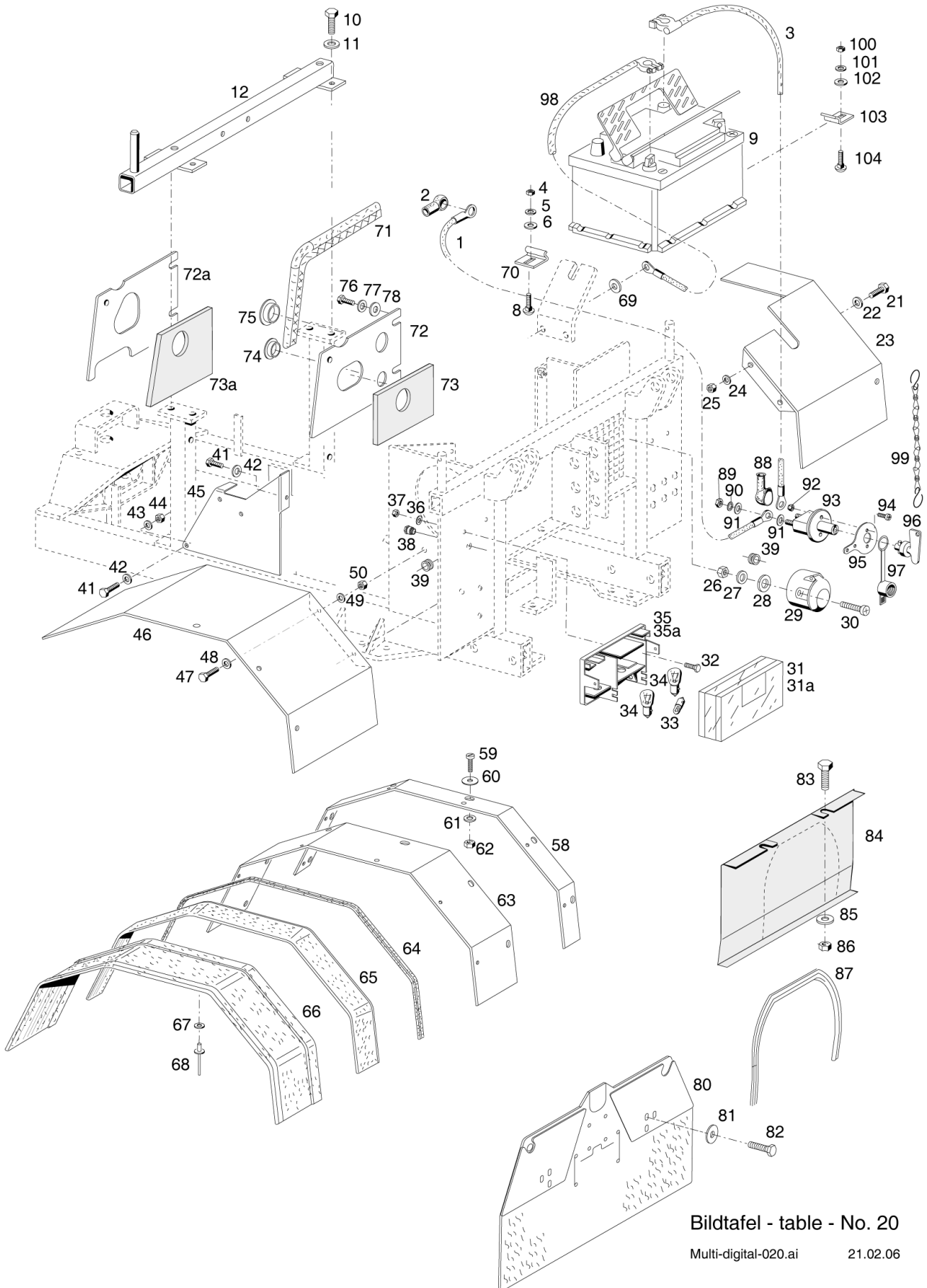


Bildtafel - table - No. 20

Multi-digital-020.ai

21.02.06

Item no.	Article no.	Description	Quantity
1	138264	BATTERY CABLE	1
2	114820	RUBBER CAP	1
3	138265	BATTERY CABLE	1
4	011579	6-HEAD NUT	2
5	011140	SPRING RING	2
6	010044	SHIM	2
8	011806	ROUND-HEAD SCREW	2
9	028526	ACCUMULATOR WITH COVER	1
10	011525	6-HEAD SCREW	3
11	010064	SPRING WASHER	3
12	134306	PIPE	1
21	011509	6-HEAD SCREW	2
22	010044	SHIM	2
23	134842	FENDER REAR RIGHT	1
24	010063	SPRING WASHER	2
25	011579	6-HEAD NUT	2
26	011576	6-HEAD NUT	3
27	010061	SPRING WASHER	3
28	010463	SHIM	3
29	012015	PLUG 7-POLE	1
30	010019	CYLINDER SCREW	3
31	028399	LENS RIGHT	1
31a	028400	LENS LEFT	1
32	011157	6-HEAD SCREW	4
33	012028	BULB FOR MOTOR VEHICLE	2
34	012032	BULB FOR MOTOR VEHICLE	5
35	027890	4-CHAMBER LIGHT LEFT	1
35a	027889	4-CHAMBER LIGHT RIGHT	1
36	011742	SPRING WASHER	4
37	011577	6-HEAD NUT	4
38	014780	GROMMET	2
39	014779	GROMMET	2
41	011509	6-HEAD SCREW	3
42	010044	SHIM	3
43	010063	SPRING WASHER	2
44	011579	6-HEAD NUT	2
45	134826	SIDE PART REAR RIGHT	1
46	134829	FENDER LEFT	1
47	011509	6-HEAD SCREW	3
48	010044	SHIM	3
49	010063	SPRING WASHER	3
50	011579	6-HEAD NUT	3
51	135805	FENDER EXTENSIONS NARROW-	1
52	135807	FENDER EXTENSIONS WIDE	1
53	135811	FENDER EXTENSIONS NARROW-	1
54	135812	FENDER EXTENSIONS WIDE	1
58	134843	FENDER EXTENSIONS LEFT	1
58a	134844	FENDER EXTENSIONS RIGHT	1
59	031198	LENS HEAD SCREW	11
59a	031199	LENS HEAD SCREW	1
60	031200	SHIM	12

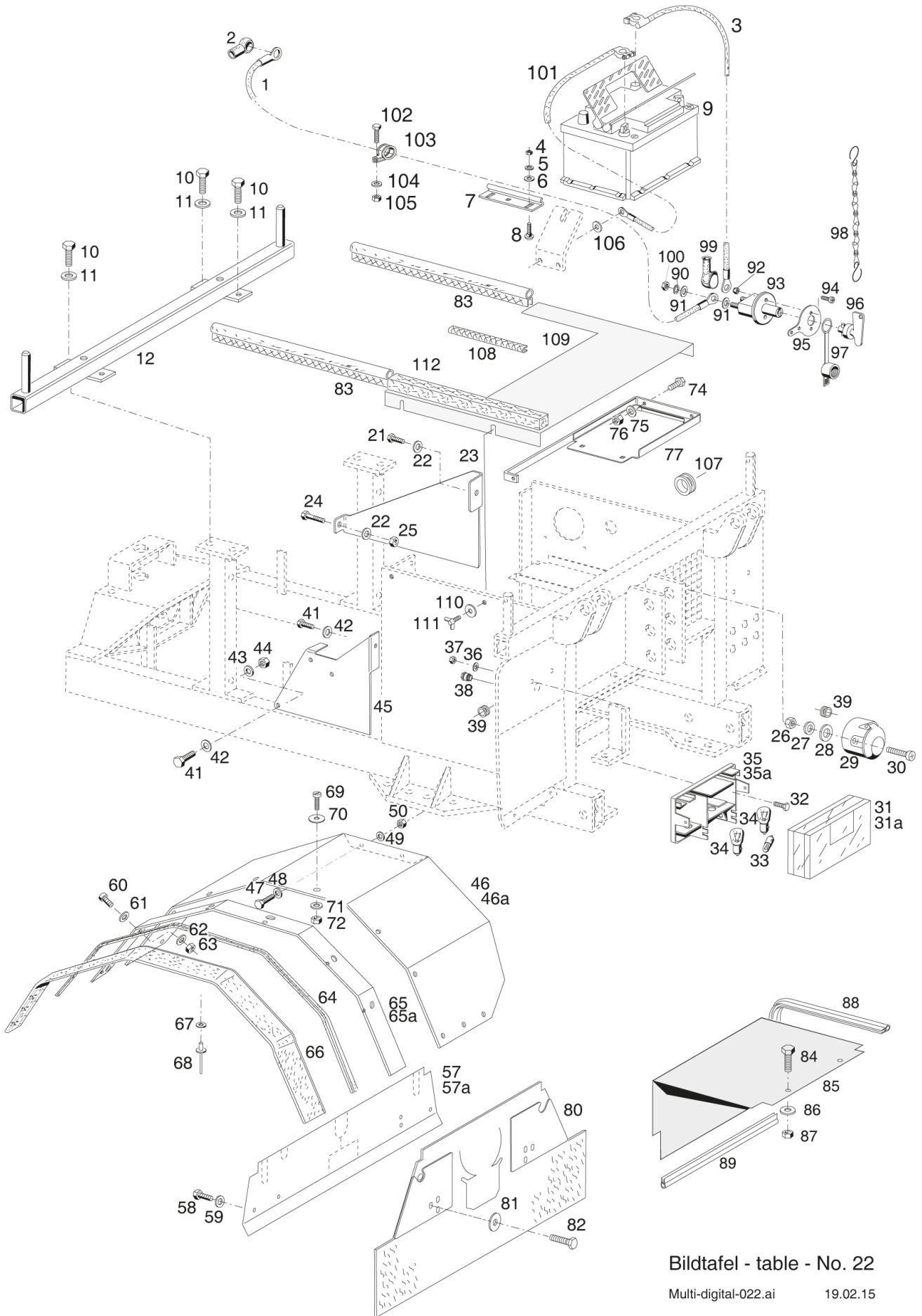


Bildtafel - table - No. 20

Multi-digital-020.ai

21.02.06

Item no.	Article no.	Description	Quantity
61	010061	SPRING WASHER	12
62	031201	FUSE NUT	12
63	134845	FENDER EXTENSIONS LEFT	1
63a	134846	FENDER EXTENSIONS RIGHT	1
64	028954	EDGE PROTECTION	2
65	135808	FENDER EXTENSIONS LEFT	1
65a	136160	FENDER EXTENSIONS RIGHT	1
66	135809	FENDER EXTENSIONS	2
67	023819	SHIM	24
68	016638	BLANK RIVET	24
69	025055	SHIM	1
70	136734	BATTERY CLAMP	1
71	029151	METAL CRAMP PROFILE	2
71a	136751	COVER PLATE	1
72	135433	COVER PLATE	1
72a	139416	COVER PLATE	1
73	136959	AIR FILTER SEALING	1
73a	139417	AIR FILTER SEALING	1
74	015334	CLOSURE PLUG	1
75	015323	PLUG	2
76	011511	6-HEAD SCREW	2
77	010063	SPRING WASHER	2
78	010044	SHIM	2
80	137068	DIRT TRAP	1
81	012537	SHIM	3
82	011514	6-HEAD SCREW	3
83	011540	6-HEAD SCREW	2
84	138019	PROTECTIVE GRID RAL 7021	1
85	016526	SHIM	2
86	011590	6-HEAD NUT	2
87	029191	METAL CRAMP PROFILE	1
88	114820	RUBBER CAP	2
89	011751	6-HEAD NUT	2
90	010056	SPRING RING	2
91	011750	SHIM	4
92	011683	6-HEAD NUT	2
93	138306	BATTERY SHUT-DOWN KEY	1
94	023652	LENS HEAD SCREW	4
95	138085	HOLDER	1
96	138961	KEY	1
97	797497	DUST PROTECTION COVER	1
98	134782	BATTERY CABLE	1
99	016613	KNOTTED CHAIN	1
100	011579	6-HEAD NUT	1
101	011140	SPRING RING	1
102	010044	SHIM	2
103	149664	BATTERY CLAMP	1
104	011806	ROUND-HEAD SCREW	2

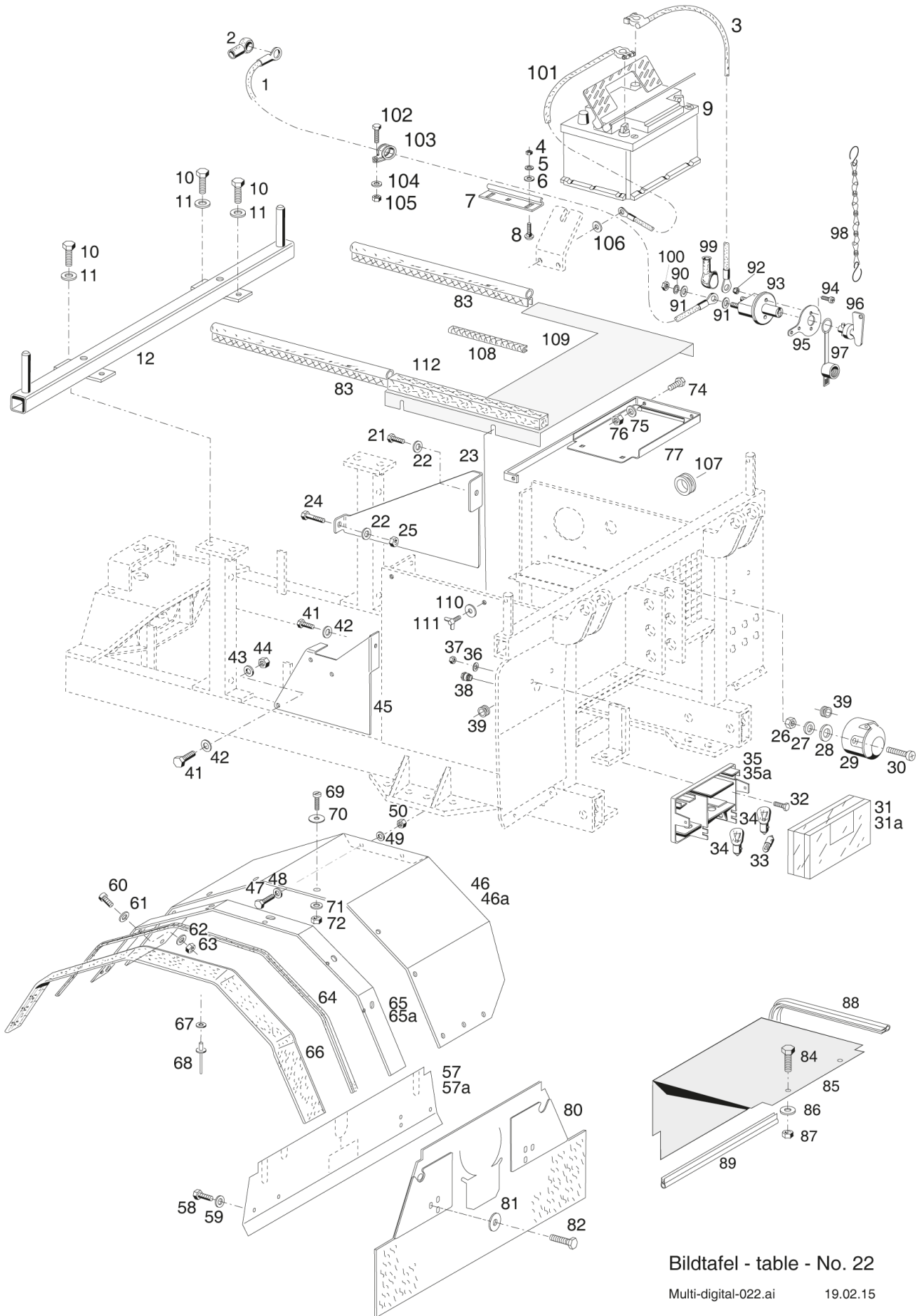


Bildtafel - table - No. 22

Multi-digital-022.ai

19.02.15

Item no.	Article no.	Description	Quantity
1	138293	BATTERY CABLE	1
2	114820	RUBBER CAP	1
3	138292	-BATTERY CABLE + ASSY. NL.50mm2	1
4	011579	6-HEAD NUT	2
5	011140	SPRING RING	2
6	010044	SHIM	2
7	110334	BATTERY CLAMP	1
8	011806	ROUND-HEAD SCREW	2
9	028526	ACCUMULATOR WITH COVER	1
10	011525	6-HEAD SCREW	3
11	010064	SPRING WASHER	4
12	134369	-TUBE ASSY. NL. C345	1
21	011509	6-HEAD SCREW	1
22	010063	SPRING WASHER	2
23	134849	-SIDE PART, RIGHT REAR C345	1
24	011088	6-HEAD SCREW	1
25	011579	6-HEAD NUT	1
26	011576	6-HEAD NUT	3
27	010061	SPRING WASHER	3
28	010463	SHIM	3
29	012015	PLUG 7-POLE	1
30	010019	CYLINDER SCREW	3
31	028399	LENS RIGHT	1
31a	028400	LENS LEFT	1
32	011157	6-HEAD SCREW	4
33	012028	BULB FOR MOTOR VEHICLE	2
34	012032	BULB FOR MOTOR VEHICLE	5
35	027890	4-CHAMBER LIGHT LEFT	1
35a	027889	4-CHAMBER LIGHT RIGHT	1
36	011742	SPRING WASHER	4
37	011577	6-HEAD NUT	4
38	014780	GROMMET	2
39	014779	GROMMET	2
41	011509	6-HEAD SCREW	3
42	010044	SHIM	3
43	010063	SPRING WASHER	2
44	011579	6-HEAD NUT	2
45	134826	SIDE PART REAR RIGHT	1
46	135007	-FENDER LEFT C345	1
46a	135008	-FENDER RIGHT C345	1
47	011509	6-HEAD SCREW	9
48	010044	SHIM	9
49	010063	SPRING WASHER	9
50	011579	6-HEAD NUT	9
57	136453	COVER PLATE	1
57a	137549	-COVERING PANEL C345	1
58	011509	6-HEAD SCREW	3
59	010063	SPRING WASHER	3
60	013913	SLOTHEAD SCREW	2
61	010463	SHIM	2
62	010061	SPRING WASHER	2

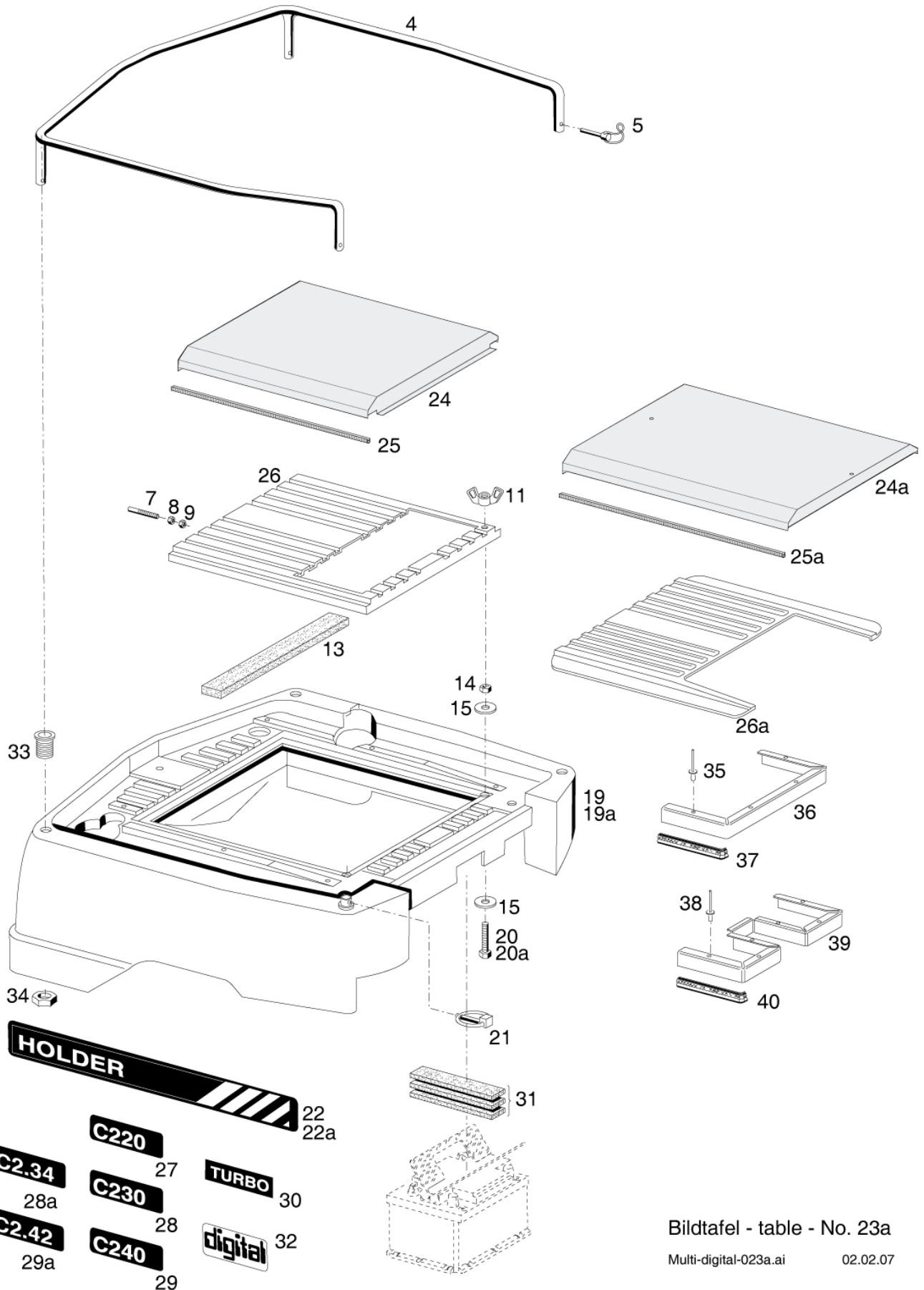


Bildtafel - table - No. 22

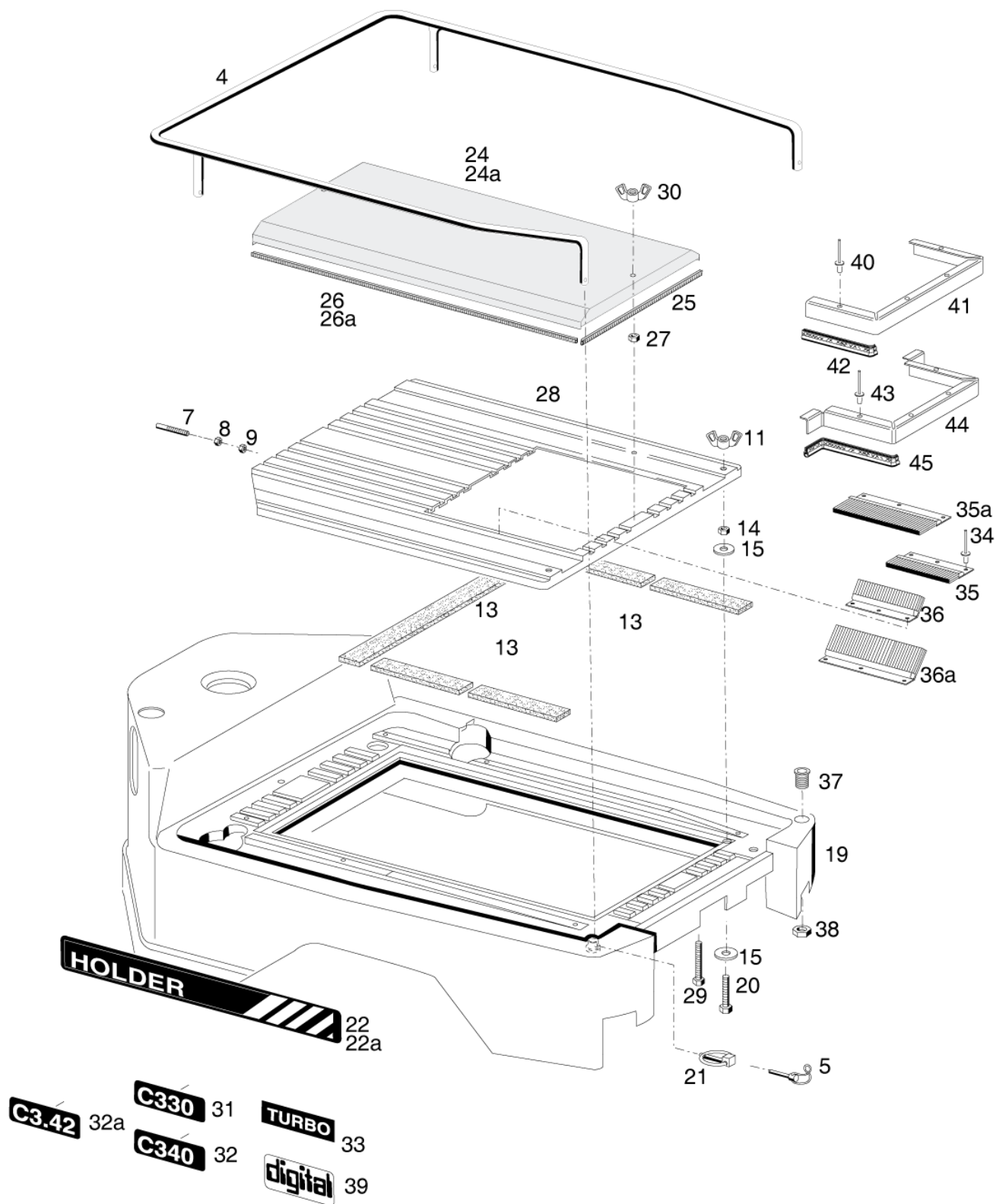
Multi-digital-022.ai

19.02.15

Item no.	Article no.	Description	Quantity
63	011576	6-HEAD NUT	2
63.1	135815	fender extention small	1
63.2	135816	FENDER EXTENSION	1
64	028955	EDGE PROTECTOR	2
65	135009	FENDER FLARE LEFT	1
65a	135010	FENDER FLARE RIGHT	1
66	135817	-* FENDER FLARE	2
67	023819	SHIM	16
68	016638	BLANK RIVET	16
69	031198	LENS HEAD SCREW	16
70	031200	SHIM	16
71	010061	SPRING WASHER	16
72	031201	FUSE NUT	16
74	011509	6-HEAD SCREW	3
75	010063	SPRING WASHER	3
76	011579	6-HEAD NUT	3
77	137189	-BATTERY HOLDER ASSY. NL.	1
80	137188	MUD FLAP ASSY. NL. C345	1
81	012537	SHIM	3
82	011514	6-HEAD SCREW	3
83	029173	+METAL BRACKET PROFILE	1
84	011540	6-HEAD SCREW	2
85	137171	+PROTECTIVE GRILLE RAL 7021	1
86	016526	SHIM	2
87	011590	6-HEAD NUT	2
88	029194	+METAL BRACKET PROFILE	2
89	029193	EDGE PROTECTON	1
90	010056	SPRING RING	2
91	011750	SHIM	4
92	011683	6-HEAD NUT	2
93	138306	BATTERY SHUT-DOWN KEY	1
94	023652	LENS HEAD SCREW	4
95	138085	HOLDER	1
96	138961	KEY	1
97	797497	DUST PROTECTION COVER	1
98	016613	KNOTTED CHAIN	1
99	114820	RUBBER CAP	2
100	011751	6-HEAD NUT	2
101	134782	BATTERY CABLE	1
102	011509	6-HEAD SCREW	2
103	026557	PIPE CLAMP WITH RUBBER PROFILE	2
104	010063	SPRING WASHER	2
105	011579	6-HEAD NUT	2
106	025055	SHIM	1
107	028560	RUBBER BEAK	1
108	029309	METAL CRAMP PROFILE	1
109	139693	-COVERING PANEL C345	1
110	010464	SHIM	4
111	010073	WING SCREW	4
112	029568	PU-FOAM	2



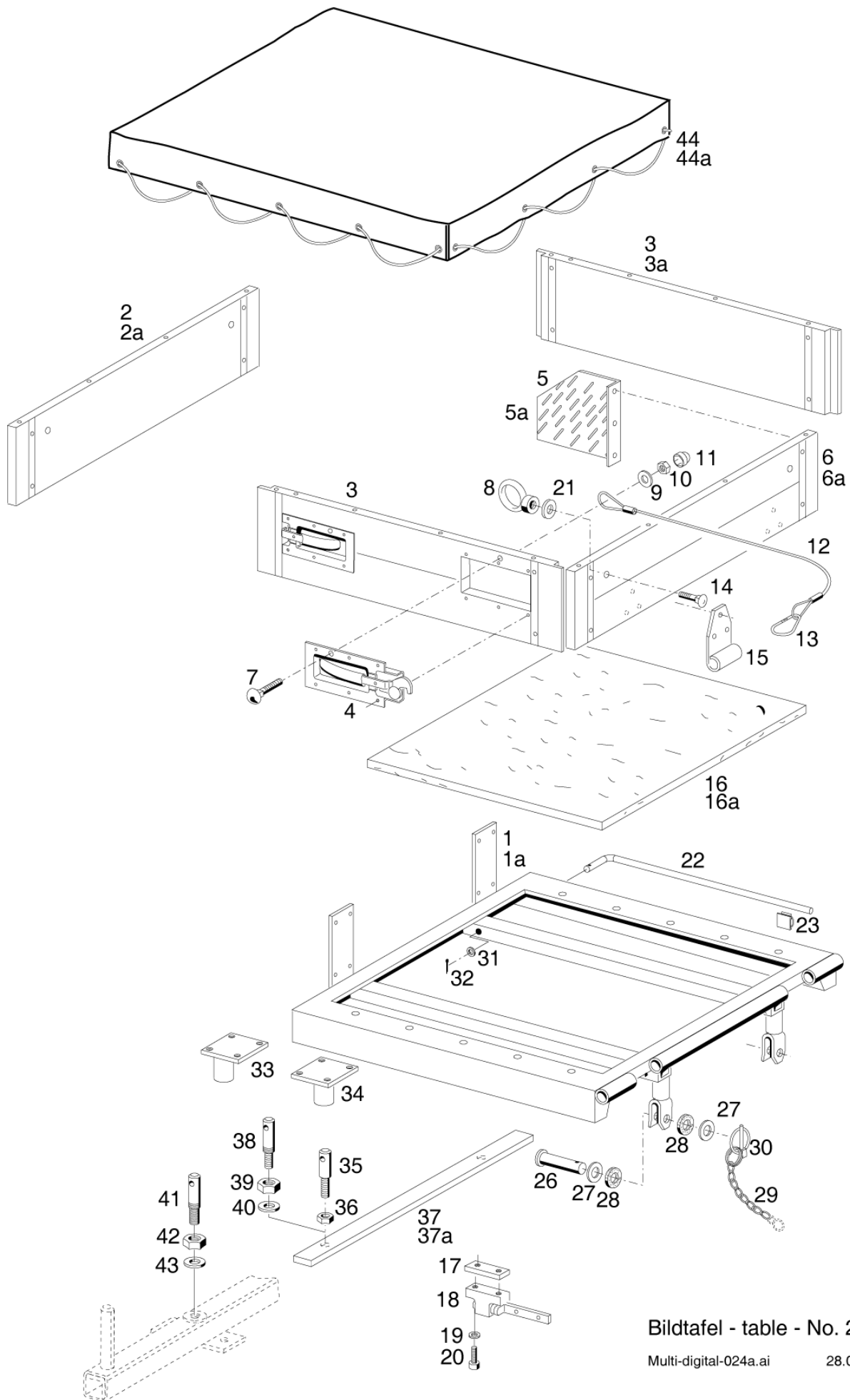
Item no.	Article no.	Description	Quantity
4	134400	rail	1
5	028587	PIPE LINCH PIN	4
7	029061	GRUB SCREW	2
8	011265	6-HEAD NUT	2
9	025057	FUSE NUT	2
11	010068	BUTTERFLY NUT	2
13	029057	PU-FOAM	1
14	011265	6-HEAD NUT	2
15	010464	SHIM	4
19	134919	+CABLE KIT ASSY. NL. C200	1
19a	139407	ENGINE HOOD	1
20	027580	6-HEAD SCREW	2
20a	029114	6-HEAD SCREW	2
21	010467	LOCKING PIN	4
22	134451	ENGINE HOOD DECOR LEFT	1
22a	134452	ENGINE HOOD DECOR RIGHT	1
24	137149	DIRT GRID	1
24a	139355	DIRT GRID RAL 9005 COATED	1
25	029113	EDGE PROTECTION	2
25a	029520	EDGE PROTECTION	2
26	136829	+LID COVER	1
26a	139406	HOOD COVER	1
27	137432	+MODEL ADHESIVE LABEL	2
28	137433	MODEL ADHESIVE LABEL	2
28a	143295	TYPE ADHESIVE LABEL	2
29	137434	MODEL ADHESIVE LABEL	2
29a	143296	TYPE ADHESIVE LABEL	2
30	022686	TYPE PLATE	2
31	029057	PU-FOAM	1
32	138716	DIGITAL STICK-ON LABEL	1
33	134594	RETAINING BUSH	4
34	010103	6-HEAD NUT	4
35	016638	BLANK RIVET	6
36	142732	BASKET SEALING	1
37	030035	METAL CRAMP PROFILE	1
38	016638	BLANK RIVET	6
39	142734	BASKET SEALING	1
40	030037	METAL CRAMP PROFILE	1



Bildtafel - table - No. 24

Multi-digital-024.ai 03.12.08

Item no.	Article no.	Description	Quantity
4	134401	rail	1
5	028587	PIPE LINCH PIN	4
7	029061	GRUB SCREW	2
8	011265	6-HEAD NUT	2
9	025057	FUSE NUT	2
11	010068	BUTTERFLY NUT	2
13	029057	PU-FOAM	3
14	011265	6-HEAD NUT	2
15	010464	SHIM	4
19	134920	-BONNET ASSY. NL.	1
20	027580	6-HEAD SCREW	2
21	010467	LOCKING PIN	4
22	134451	ENGINE HOOD DECOR LEFT	1
22a	134452	ENGINE HOOD DECOR RIGHT	1
24	137150	+SPLASH GRILLE	1
24a	139355	DIRT GRID RAL 9005 COATED	1
25	029192	EDGE PROTECTOR	1
26	029112	+EDGE PROTECTOR	2
26a	029520	EDGE PROTECTION	2
27	011265	6-HEAD NUT	2
28	136830	BONNET COVER C300	1
29	029114	6-HEAD SCREW	2
30	010068	BUTTERFLY NUT	2
31	137435	+MODEL ADHESIVE LABEL	2
32	137436	+MODEL ADHESIVE LABEL	2
32a	143297	+MODEL ADHESIVE LABEL	2
33	022686	TYPE PLATE	2
34	016638	BLANK RIVET	12
35	137552	SEAL BRUSH	2
35a	152716	SEAL BRUSH	2
36	137553	SEAL BRUSH	2
36a	152715	SEAL BRUSH	2
37	134594	RETAINING BUSH	4
38	010103	6-HEAD NUT	4
39	138716	DIGITAL STICK-ON LABEL	1
40	016638	BLANK RIVET	6
41	142732	BASKET SEALING	1
42	030035	METAL CRAMP PROFILE	1
43	016638	BLANK RIVET	6
44	142733	-BASKET SEAL C300-TIP.	1
45	030036	METAL CRAMP PROFILE	1

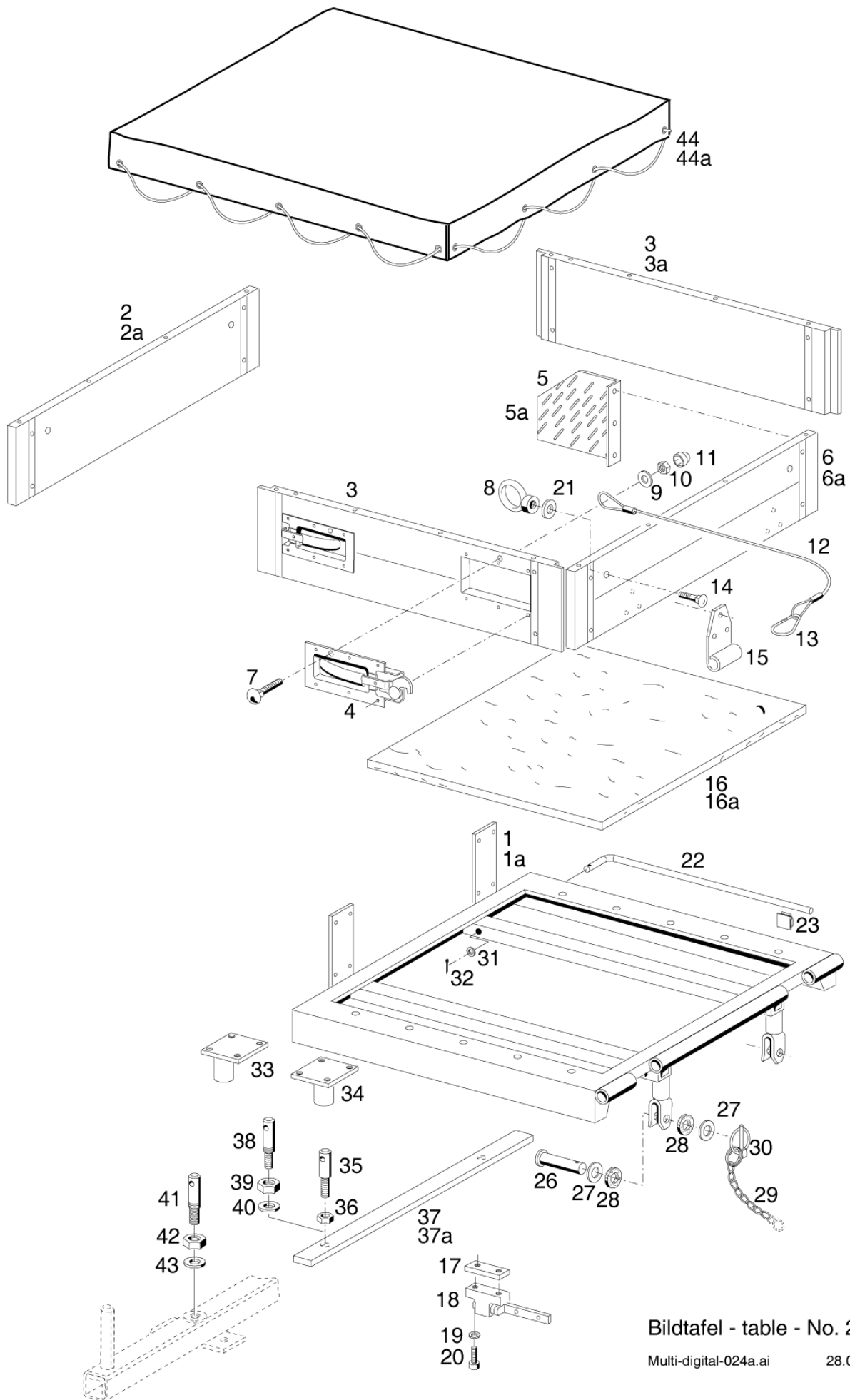


Bildtafel - table - No. 24a

Multi-digital-024a.ai

28.04.11

Item no.	Article no.	Description	Quantity
1	134901	platform	1
1a	134902	platform	1
2	799210	799210	1
2a	797626	FRONT- AND REAR PANEL	1
3	799211	799211	2
3a	799212	HOLE WALL COMPLETE	2
4	782007	782007	2
4a	782006	782006	2
5	799213	799213	1
5a	799214	799214	1
6	799210	799210	1
6a	797626	FRONT- AND REAR PANEL	1
7	010241	FLAT SCREW	2
8	796337	RING NUT	2
9	010047	SHIM	2
10	011579	6-HEAD NUT	2
11	023241	BONNET	2
12	797218	MOUNTING ROPE	2
13	014318	HOOK	2
14	028219	ROUND-HEAD SCREW	2
15	799216	799216	2
16	799217	799217	1
16a	799217	799217	1
17	799219	THREADED PLATE	4
18	799220	799220	4
19	010051	SHIM	8
20	022858	INNER-6-HEAD SCREW	8
21	799221	SHIM	2
22	796534	BRACE	1
23	797032	CLIP	2
26	028498	BOLT	2
27	010050	SHIM	4
28	028103	RING	4
29	016613	KNOTTED CHAIN	2
30	010467	LOCKING PIN	2
31	010047	SHIM	1
32	010030	SPLIT PIN	1
33	796744	FLANGE	2
34	796745	FLANGE	2
34.1	136518	SUPPORT FOR PLATFORM	1
34.2	136519	SUPPORT FOR PLATFORM	1
34.3	141727	LOCATING BOLT	1
35	135793	135793	2
36	011594	6-HEAD NUT	2
37	135790	THREADED PLATE	1
37a	135791	THREADED PLATE	1
37.1	141508	RETROFIT KIT BOLT FOR SLAPSTICK	1
38	140996	BOLT	2
39	023752	6-HEAD NUT	2
40	028132	SHIM	2
41	141324	BOLT	2

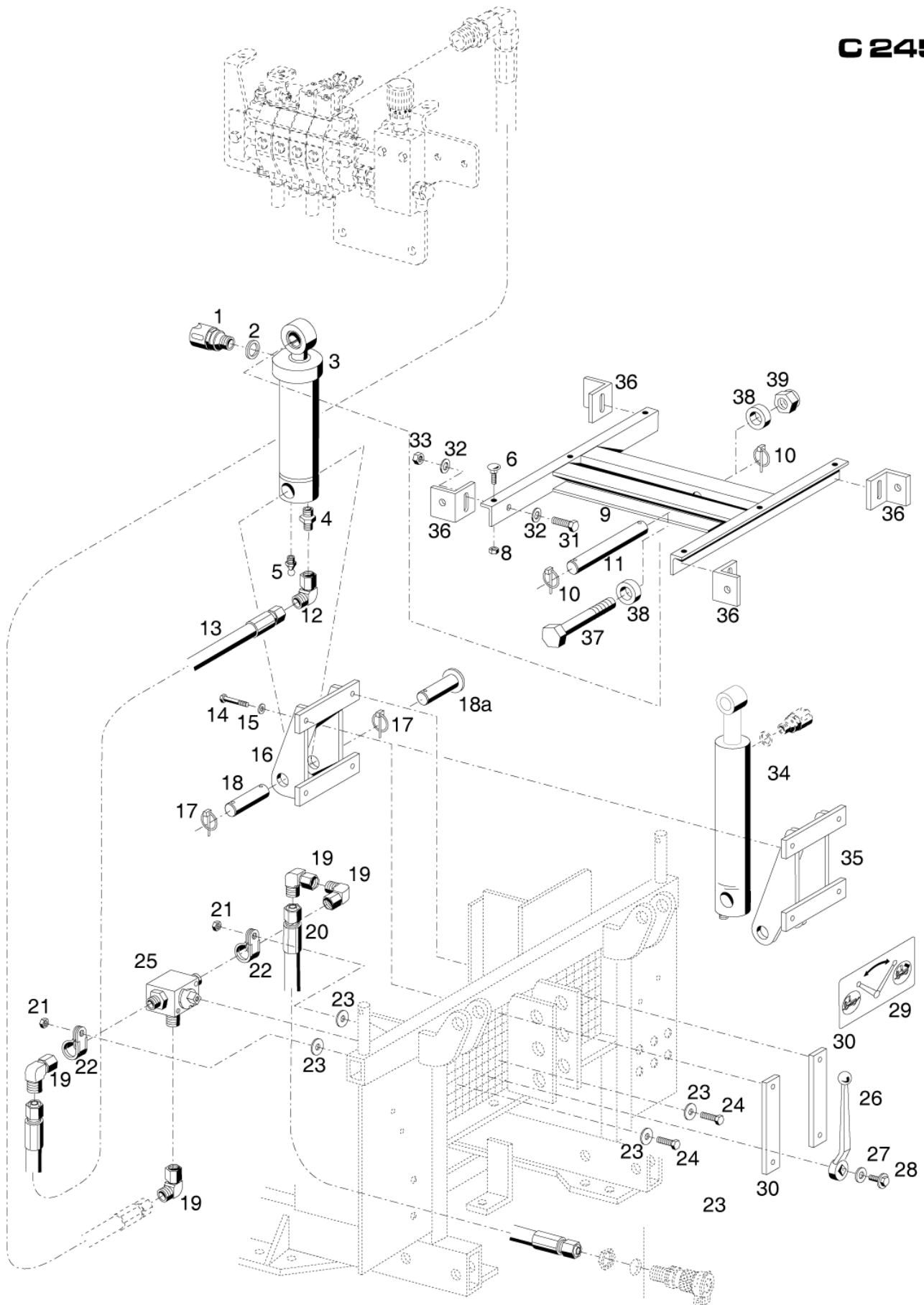


Bildtafel - table - No. 24a

Multi-digital-024a.ai

28.04.11

Item no.	Article no.	Description	Quantity
42	023752	6-HEAD NUT	2
43	010048	SHIM	2
44	147887	COVER PLANTE FOR CARGO BED	1
44a	147888	COVER PLANTE FOR CARGO BED	1

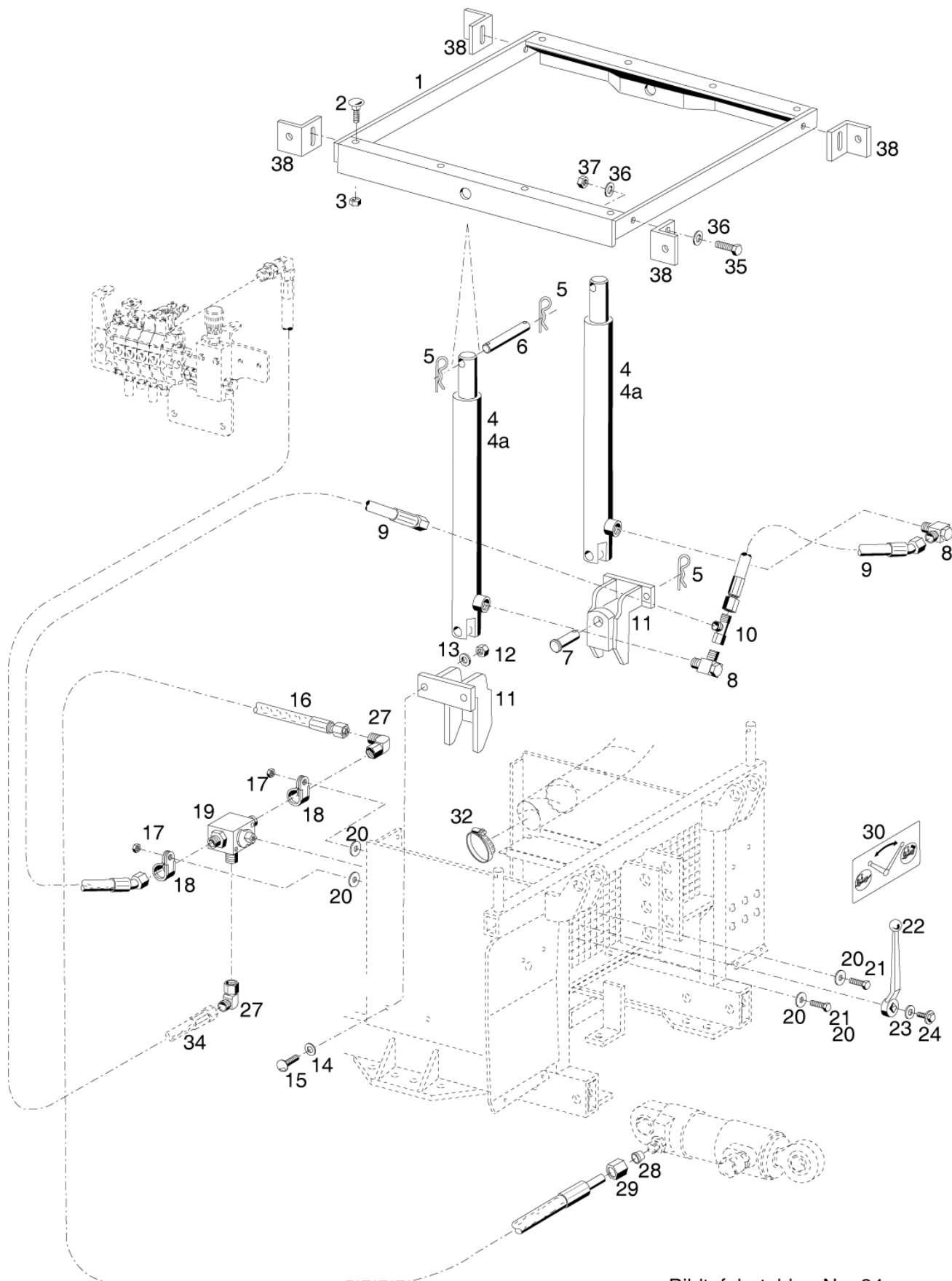


Bildtafel - table - No. 24b

Multi-digital-024b.ai

11.12.09

Item no.	Article no.	Description	Quantity
0	136362	HYDR. TILTING MECHANISM	1
1	022285	TWO-WAY VENTILATION FILTER	1
2	010389	GASKET RING	1
3	108214	HYDRAULIC CYLINDER	1
3a	107053	GASKET KIT	1
4	028608	STRAIGHT SCREW-IN FITTING	1
5	010491	LUBRICATING NIPPLE	1
6	028219	ROUND-HEAD SCREW	6
8	011579	6-HEAD NUT	6
9	136741	FRAME FRONT ASSY. NL	1
10	010468	LOCKING PIN	2
11	124758	BOLT	1
12	028616	ADJUSTABEL ANGEL BRACKET	1
13	025238	HIGH PRESSURE HOSE	1
14	011187	6-HEAD SCREW	4
15	010065	SPRING WASHER	4
16	136745	CYLINDER HOLDER	1
17	010467	LOCKING PIN	1
18	011278	PIN	1
18a	029561	BOLT	1
19	028616	ADJUSTABEL ANGEL BRACKET	4
20	019287	HIGH PRESSURE HOSE	1
21	011683	6-HEAD NUT	2
22	010934	PIPE CLAMP WITH RUBBER PROFILE	2
23	010464	SHIM	4
24	011888	Screw	2
25	029028	THREE WAY BALL VALVE	1
26	799222	799222	1
27	799223	SHIM	1
28	799224	799224	1
29	136628	INFORMATION SIGN	1
30	136748	MOLDING	2
31	011530	6-HEAD SCREW	4
32	010046	SHIM	8
33	011685	6-HEAD NUT	4
34	148288	HYDRAULIC CYLINDER DOUBEL ACTING	1
34.1	149153	GASKET KIT	1
35	148287	CYLINDER HOLDER	1
36	153051	ANGLE BRACKET	4
37	028747	6-HEAD SCREW	1
38	031957	SPACER RING	2
39	031929	FUSE NUT	1



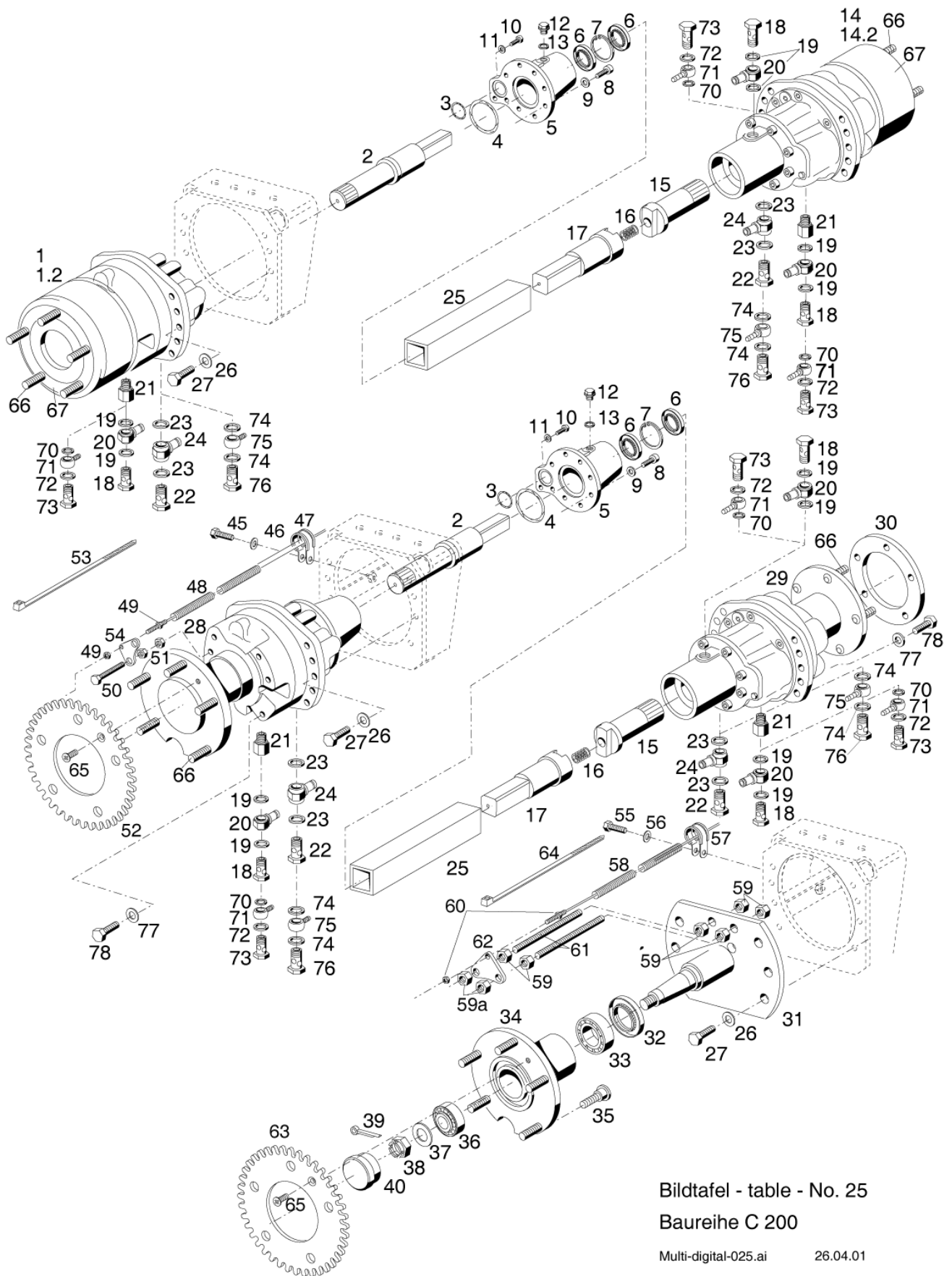
Bildtafel - table - No. 24c

Multi-digital-024c.ai

02.06.09

Item no.	Article no.	Description	Quantity
0	134905	hydraulic tipping unit	1
1	136598	-FLATBED FRAME ASSY. NL.	1
2	028219	ROUND-HEAD SCREW	8
3	011579	6-HEAD NUT	8
4	136446	PLUNGER CYLINDER 422X310X25PRIMING	2
4a	142766	DOUBLE ACTING CYLINDER	2
5	010471	SPRING PLUG	6
6	011279	BOLT	2
7	011281	BOLT	2
8	028631	ANGLE SWING SOCKET	2
9	025164	HOSE LINE	2
10	028621	ADJUSTABEL L-FITTING	1
11	136593	CYLINDER HOLDER	2
12	011579	6-HEAD NUT	4
13	010063	SPRING WASHER	4
14	025055	SHIM	4
15	028928	ROUNDHEAD SCREW	4
16	019287	HIGH PRESSURE HOSE	1
17	011683	6-HEAD NUT	2
18	010934	PIPE CLAMP WITH RUBBER PROFILE	2
19	029028	THREE WAY BALL VALVE	1
20	010464	SHIM	4
21	011888	Screw	2
22	799222	799222	1
23	799223	SHIM	1
24	799224	799224	1
27	028616	ADJUSTABEL ANGEL BRACKET	2
28	015749	PROFILE RING	1
29	015723	UNION NUT	1
30	136628	INFORMATION SIGN	1
32	010927	HOSE CLAMP	1
34	022645	HIGH PRESSURE HOSE	1
35	011530	6-HEAD SCREW	4
36	010046	SHIM	8
37	011685	6-HEAD NUT	4
38	153051	ANGLE BRACKET	4

Item no.	Article no.	Description	Quantity
170	800694	AXLES C200, TILL 202 001522	1
180	800695	AXLES C200, AS OF 202 001523	1
190	800696	AXLES C200 SUMMERPARK AND BASIC, TILL 202 002 318	1
200	800697	AXLES C200 BASIC, AS OF 202 002 319	1
210	800698	AXLES C300, TILL 203 000 666	1
220	800699	AXLES C300, AS OF 203 000 667	1
230	800700	BRAKES	1



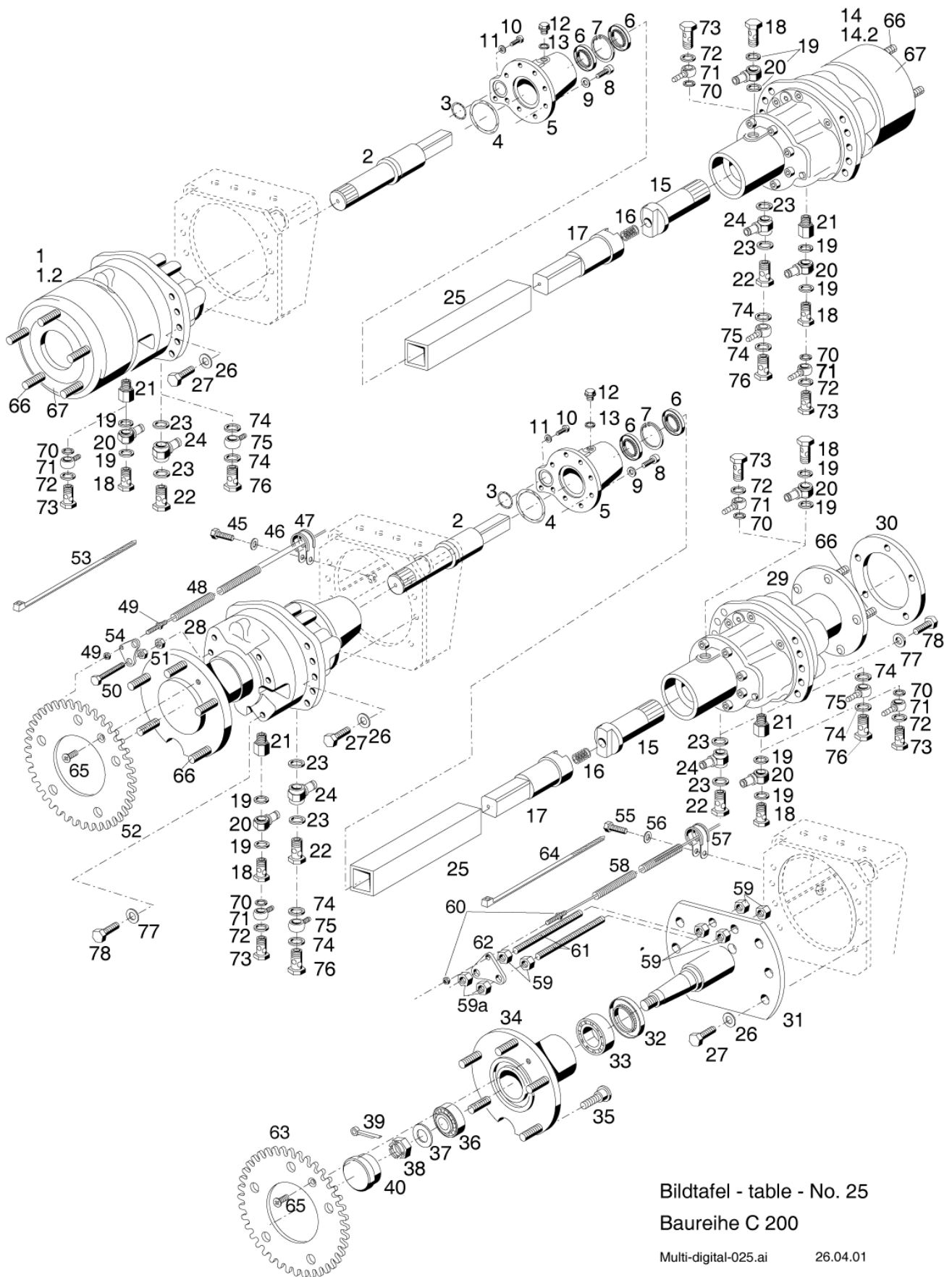
Bildtafel - table - No. 25

Baureihe C 200

Multi-digital-025.ai

26.04.01

Item no.	Article no.	Description	Quantity
1	138707	138707	1
1.1	797245	GASKET KIT	1
1.2	138705	RIGHT FRONT WHEEL MOTOR MOUNT.	1
1.3	797245	GASKET KIT	1
2	135224	SHAFT	2
3	796351	SQUARE SEAL	4
4	796263	SQUARE SEAL	4
5	133925	HOUSING	4
6	030954	SHAFT SEAL	8
7	010165	LOCKING RING FOR BORE HOLE	2
8	011214	INNER-6-HEAD SCREW	32
9	010064	SPRING WASHER	32
10	011514	6-HEAD SCREW	4
11	010063	SPRING WASHER	4
12	011261	LOCKING SCREW	2
13	028810	GASKET RING	2
14	138706	138706	1
14.1	797245	GASKET KIT	1
14.2	138704	RIGHT FRONT WHEEL MOTOR MOUNT.	1
14.3	797245	GASKET KIT	1
15	133948	+SHAFT	2
16	013654	PRESSURE SPRING	2
17	133949	WAVE RIGHTD=56X195	2
18	028571	HOLLOW SCREW	6
19	028810	GASKET RING	12
20	028569	+RING CONNECTION F WELDED FITTING	6
21	028415	DOUBLE SOCKET	4
22	028572	HOLLOW SCREW	4
23	028811	COMPOSITE SEAL	8
24	028570	RING	4
25	133950	PIPE	2
26	010065	SPRING WASHER	32
27	011540	6-HEAD SCREW	32
28	135211	WHEEL ENGINE	1
28.1	797245	GASKET KIT	1
29	135210	WHEEL ENGINE	1
29.1	797245	GASKET KIT	1
30	134308	spacer ring	1
30a	134270	STUB SHAFT	2
31	134271	STUB SHAFT	2
32	023146	SHAFT SEAL	2
33	023147	TAPER ROLLER BEARING	2
34	134274	WHEEL FLANGE	2
35	016059	DEPTH BOLT	10
36	012854	TAPER ROLLER BEARING	2
37	013603	PROOF WASHER	2
38	011607	FLAT CASTEL NUT	2
39	010037	SPLINT	2
40	015368	IMPACT CAP	2
40a	136321	136321	1
45	011511	6-HEAD SCREW	1



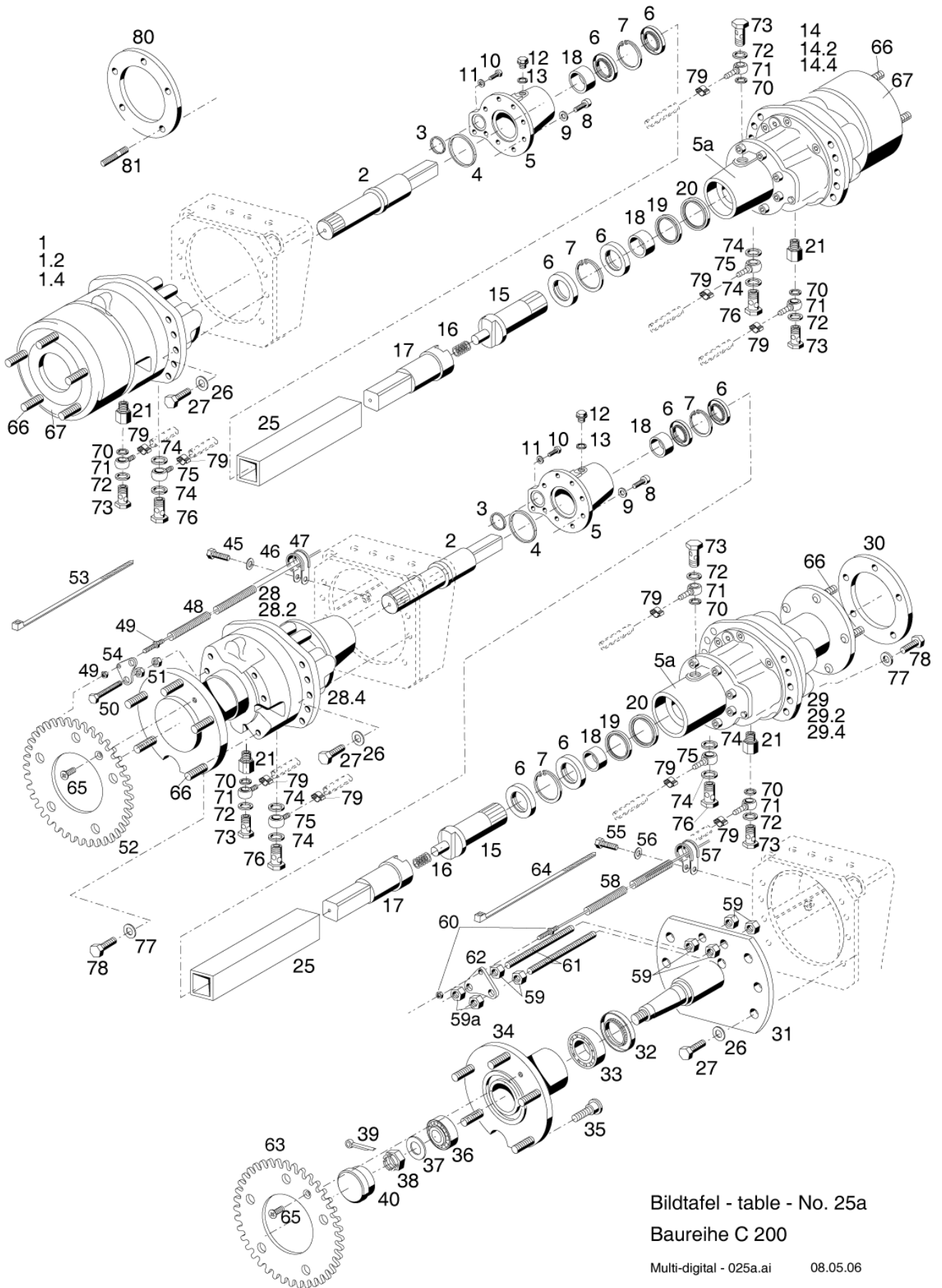
Bildtafel - table - No. 25

Baureihe C 200

Multi-digital-025.ai

26.04.01

Item no.	Article no.	Description	Quantity
46	010063	SPRING WASHER	1
47	026557	PIPE CLAMP WITH RUBBER PROFILE	1
48	028971	CORRUGATED HOSE	1
49	028969	INDUCTIVE SWITCH	1
50	028968	6-HEAD SCREW	2
51	011590	6-HEAD NUT	4
52	136360	IMPULS RING	1
53	027249	CABLE BAND	1
54	136361	HOLDER	1
55	011511	6-HEAD SCREW	1
56	010063	SPRING WASHER	1
57	026557	PIPE CLAMP WITH RUBBER PROFILE	1
58	028971	CORRUGATED HOSE	1
59	011590	6-HEAD NUT	6
59a	010096	6-HEAD NUT	2
60	028969	INDUCTIVE SWITCH	1
61	027586	THREAD BOLT	2
62	136275	HOLDER	1
63	136292	IMPULS RING	1
64	027249	CABLE BAND	1
65	011668	COUNTERSUNK SCREW	1
66	029090	WHEEL STUD	20
67	797037	BRAKE DRUM	2
70	029458	COMPOSITE SEAL WITH CENTERING HOLDER	6
71	029454	RING PIECE	6
72	029457	COMPOSITE SEAL	6
73	029455	HOLLOW SCREW	6
74	029456	COMPOSITE SEAL WITH CENTERING HOLDER	8
75	029453	RING PIECE	4
76	025292	HOLLOW SCREW	4
77	029458	COMPOSITE SEAL WITH CENTERING HOLDER	4
78	011539	6-HEAD SCREW	4



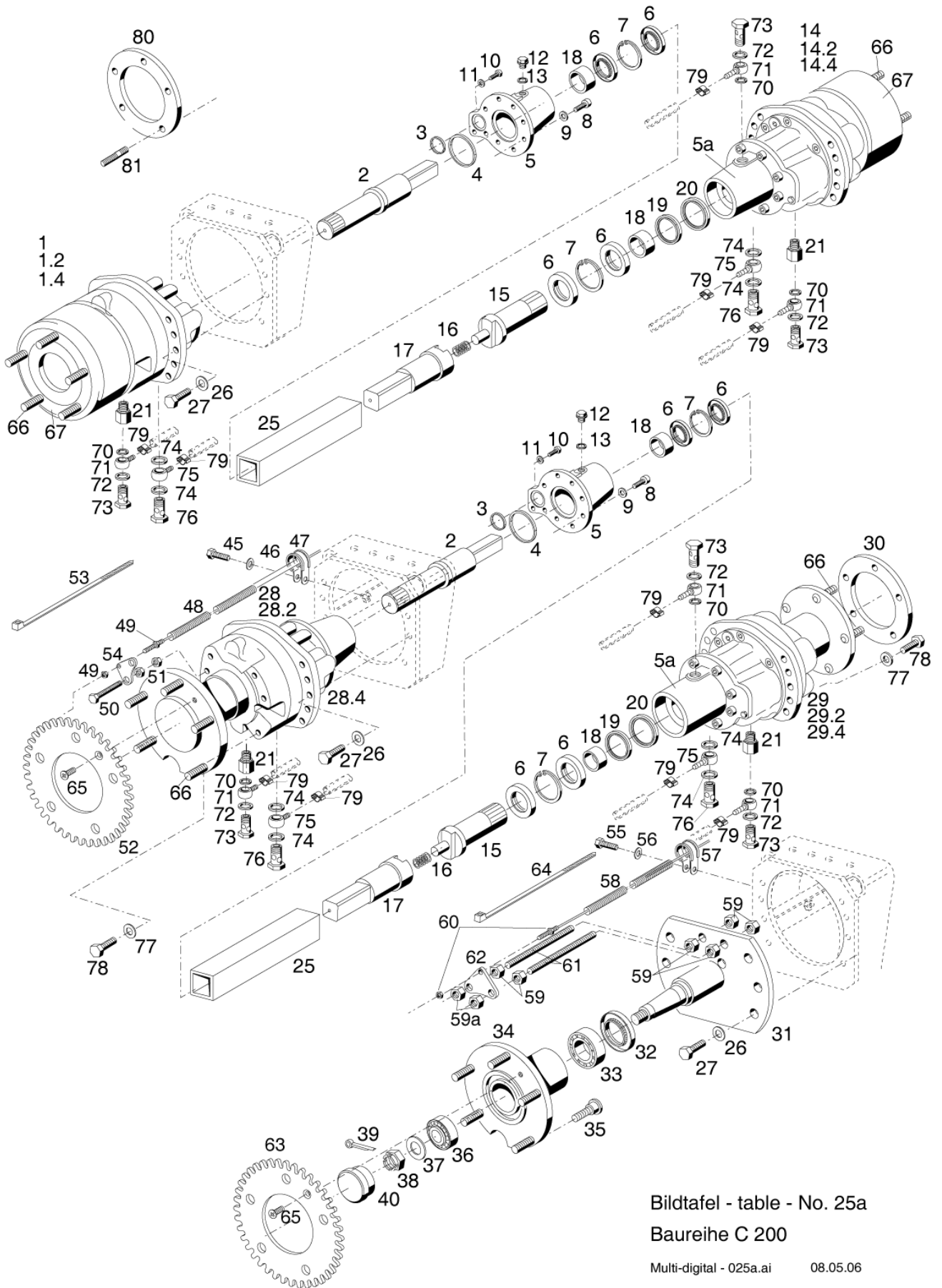
Bildtafel - table - No. 25a

Baureihe C 200

Multi-digital - 025a.ai

08.05.06

Item no.	Article no.	Description	Quantity
1	143299	WHEEL MOTOR	1
1.1	797245	GASKET KIT	1
1.2	148839	+PREASS. WHEEL MOTOR LEFT FRONT	1
1.3	797769	GASKET KIT	1
1.4	149919	-PREASS.WHEEL MOTOR LEFT C245	1
1.5	797974	GASKET KIT	1
1.6	143626	WHEEL ENGINE	2
1.7	143627	KIT FOR WHEEL MOTORS OLD LEFT	2
2	143639	SHAFT LEFT	2
3	796351	SQUARE SEAL	4
4	796263	SQUARE SEAL	4
5	143634	+HOUSING LEFT ASSY. COMPL.	2
5a	143633	+HOUSING RIGHT ASSY. COMPL.	2
6	030954	SHAFT SEAL	8
7	010165	LOCKING RING FOR BORE HOLE	4
8	011214	INNER-6-HEAD SCREW	32
9	010064	SPRING WASHER	32
10	011514	6-HEAD SCREW	4
11	010063	SPRING WASHER	4
12	011261	LOCKING SCREW	2
13	028810	GASKET RING	2
14	143298	WHEEL ENGINE	1
14.1	797245	GASKET KIT	1
14.2	148838	+PREASS. WHEEL MOTOR RIGHT FRONT	1
14.3	797769	GASKET KIT	1
14.4	149918	-PREASS.WHEEL MOTOR RIGHT FRONT C245	1
14.5	797974	GASKET KIT	1
15	143265	SHAFT	2
16	013654	PRESSURE SPRING	2
17	143264	SHAFT RIGHT	2
18	030174	PLATE BEARING	4
19	030175	RING	2
20	030176	RING	2
21	028415	DOUBLE SOCKET	4
25	133950	PIPE	2
26	010065	SPRING WASHER	32
27	011540	6-HEAD SCREW	32
28	143301	+PREASS. WHEEL MOTOR LEFT REAR w/o BR	1
28.1	797245	GASKET KIT	1
28.2	148837	+PREASS. WHEEL MOTOR LEFT REAR w/o BR	1
28.3	797245	GASKET KIT	1
28.4	149917	PREASS. WHEEL MOTOR LEFT REAR WITHOUT BRAKE	1
28.5	797245	GASKET KIT	1
29	143300	+PREASS. WHEEL MOTOR RIGHT REAR w/o BR	1
29.1	797245	GASKET KIT	1
29.2	148836	+PREASS. WHEEL MOTOR RIGHT REAR w/o BR	1
29.3	797245	GASKET KIT	1
29.4	149916	PREASS. WHEEL MOTOR RIGHT REAR WITHOUT BRAKE	1
29.5	797973	GASKET KIT	1
30	134308	spacer ring	1
30.1	134270	STUB SHAFT	2



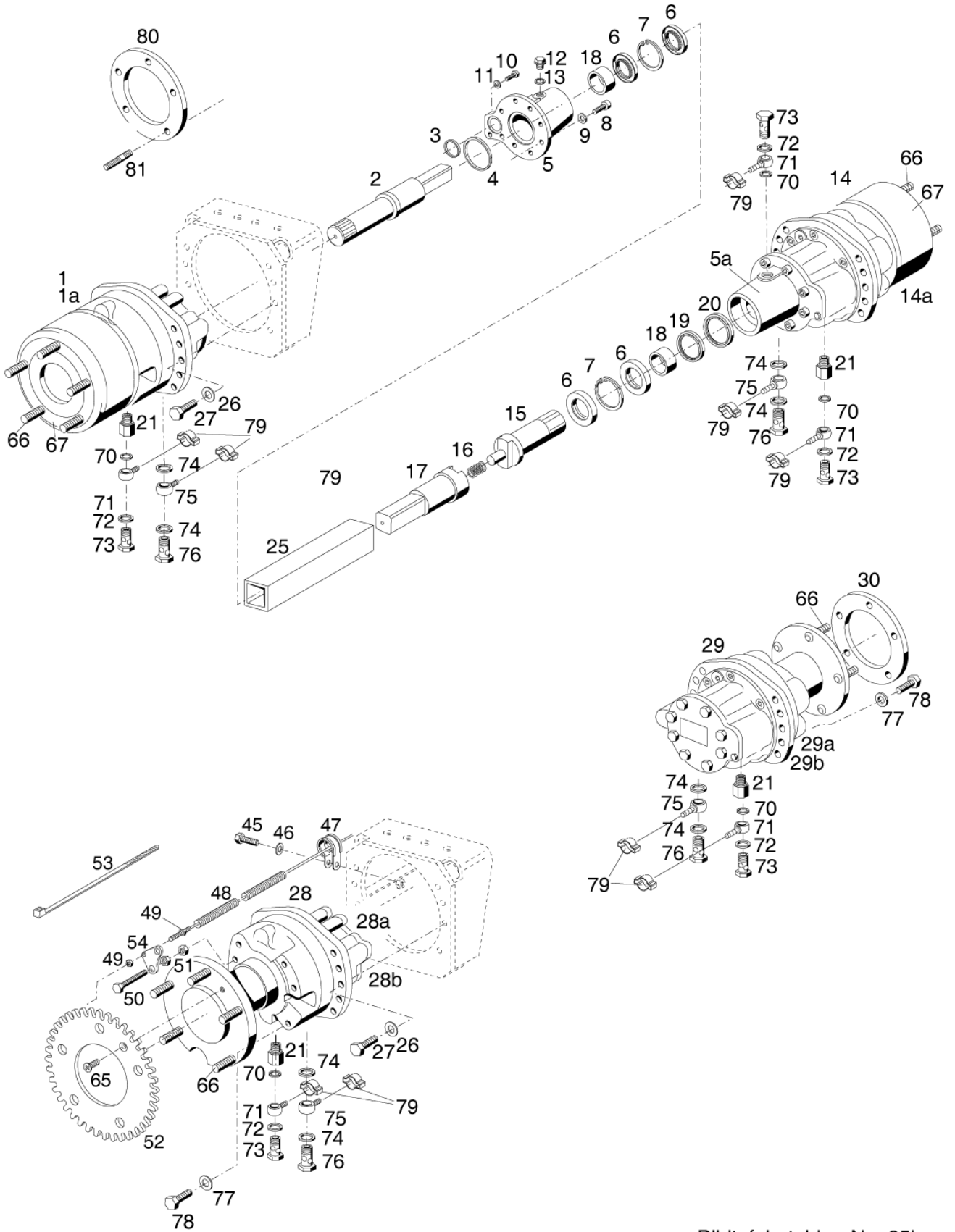
Bildtafel - table - No. 25a

Baureihe C 200

Multi-digital - 025a.ai

08.05.06

Item no.	Article no.	Description	Quantity
31	134271	STUB SHAFT	2
32	023146	SHAFT SEAL	2
33	023147	TAPER ROLLER BEARING	2
34	134274	WHEEL FLANGE	2
35	016059	DEPTH BOLT	10
36	012854	TAPER ROLLER BEARING	2
37	013603	PROOF WASHER	2
38	011607	FLAT CASTEL NUT	2
39	010037	SPLINT	2
40	015368	IMPACT CAP	2
40.1	136321	136321	1
45	011511	6-HEAD SCREW	1
46	010063	SPRING WASHER	1
47	026557	PIPE CLAMP WITH RUBBER PROFILE	1
48	028971	CORRUGATED HOSE	1
49	028969	INDUCTIVE SWITCH	1
50	028968	6-HEAD SCREW	2
51	011590	6-HEAD NUT	4
52	136360	IMPULS RING	1
53	027249	CABLE BAND	1
54	136361	HOLDER	1
55	011511	6-HEAD SCREW	1
56	010063	SPRING WASHER	1
57	026557	PIPE CLAMP WITH RUBBER PROFILE	1
58	028971	CORRUGATED HOSE	1
59	011590	6-HEAD NUT	6
59a	010096	6-HEAD NUT	2
60	028969	INDUCTIVE SWITCH	1
61	027586	THREAD BOLT	2
62	136275	HOLDER	1
63	136292	IMPULS RING	1
64	027249	CABLE BAND	1
65	011668	COUNTERSUNK SCREW	1
66	029090	WHEEL STUD	20
67	797037	BRAKE DRUM	2
70	029458	COMPOSITE SEAL WITH CENTERING HOLDER	6
71	029454	RING PIECE	6
72	029457	COMPOSITE SEAL	6
73	029455	HOLLOW SCREW	6
74	029456	COMPOSITE SEAL WITH CENTERING HOLDER	8
75	029453	RING PIECE	4
76	025292	HOLLOW SCREW	4
77	029458	COMPOSITE SEAL WITH CENTERING HOLDER	4
78	011539	6-HEAD SCREW	4
79	020658	HOSE CLAMP	10
79.1	141336	track broadening front axle	1
80	134308	spacer ring	2
81	029784	WHEEL BOLT	10



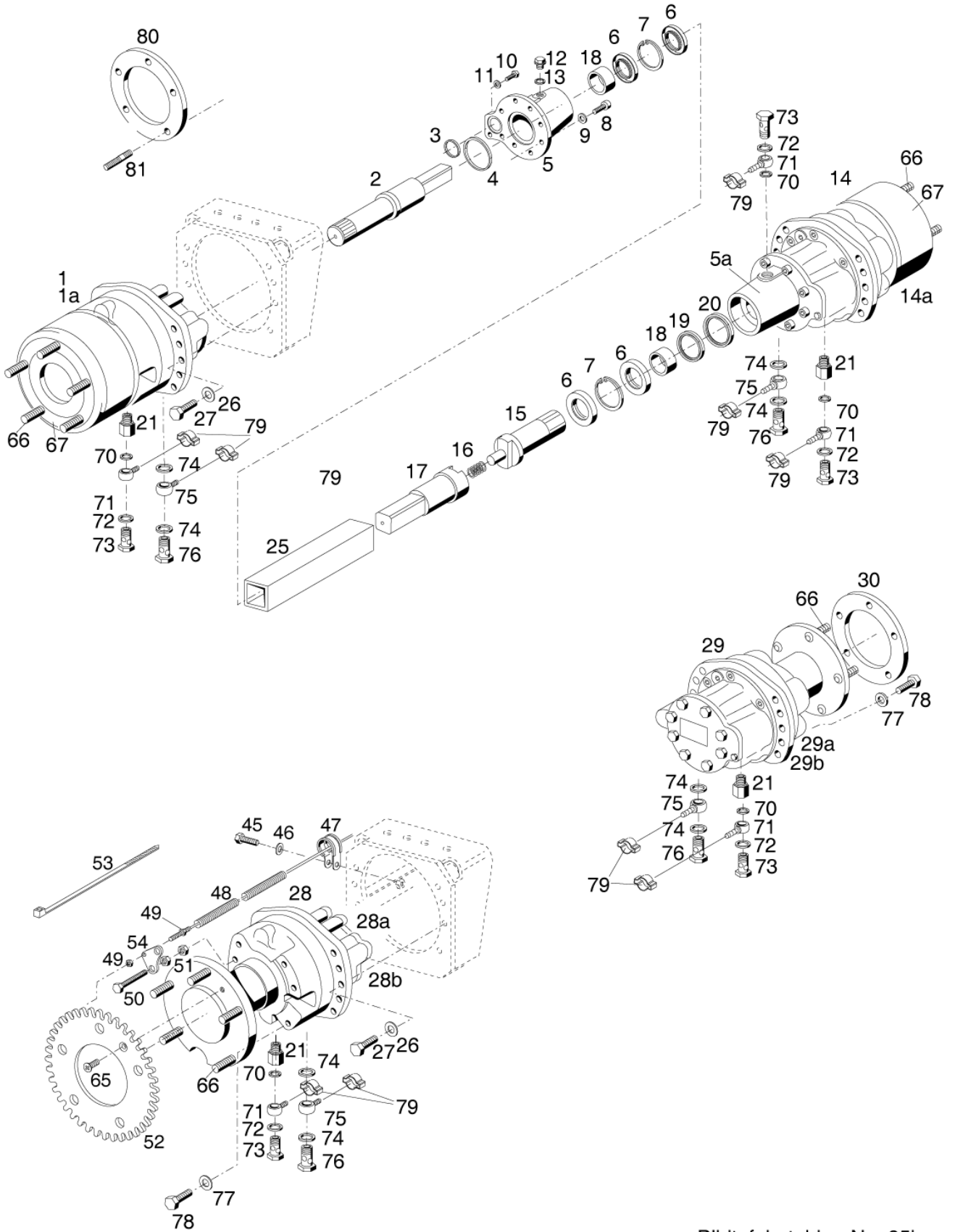
Bildtafel - table - No. 25b

Baureihe C 200

Multi-digital-025b.ai

15.08.06

Item no.	Article no.	Description	Quantity
1	143307	143307	1
1.1	797245	GASKET KIT	1
1a	148846	148846	1
1a.1	797974	GASKET KIT	1
2	143639	SHAFT LEFT	1
3	796351	SQUARE SEAL	2
4	796263	SQUARE SEAL	2
5	143634	+HOUSING LEFT ASSY. COMPL.	1
5a	143633	+HOUSING RIGHT ASSY. COMPL.	1
6	030954	SHAFT SEAL	4
7	010165	LOCKING RING FOR BORE HOLE	2
8	011214	INNER-6-HEAD SCREW	16
9	010064	SPRING WASHER	16
10	011514	6-HEAD SCREW	2
11	010063	SPRING WASHER	2
12	011261	LOCKING SCREW	1
13	028810	GASKET RING	1
14	143306	143306	1
14.1	797245	GASKET KIT	1
14a	148847	WHEEL MOTOR FRONT REAR	1
14a.1	797974	GASKET KIT	1
15	143265	SHAFT	1
16	013654	PRESSURE SPRING	1
17	143264	SHAFT RIGHT	1
18	030174	PLATE BEARING	2
19	030175	RING	1
20	030176	RING	1
21	028415	DOUBLE SOCKET	4
25	133950	PIPE	1
26	010065	SPRING WASHER	32
27	011540	6-HEAD SCREW	32
28	141681	141681	1
28.1	797245	GASKET KIT	1
28a	148848	WHEEL MOTOR REAR LEFT WITHOUT BRAKE	1
28a.1	797769	GASKET KIT	1
28b	150311	PREASS. WHEEL MOTOR LEFT REAR WITHOUT BRAKE	1
28b.1	797769	GASKET KIT	1
29	141680	141680	1
29.1	797245	GASKET KIT	1
29a	148849	WHEEL MOTOR REAR RIGHT WITHOUT BRAKE	1
29a.1	797769	GASKET KIT	1
29b	150310	PREASS. WHEEL MOTOR RIGHT REAR WITHOUT BRAKE	1
29b.1	797769	GASKET KIT	1
30	134308	spacer ring	1
30.1	136321	136321	1
45	011511	6-HEAD SCREW	1
46	010063	SPRING WASHER	1
47	026557	PIPE CLAMP WITH RUBBER PROFILE	1
48	028971	CORRUGATED HOSE	1
49	028969	INDUCTIVE SWITCH	1
50	028968	6-HEAD SCREW	2



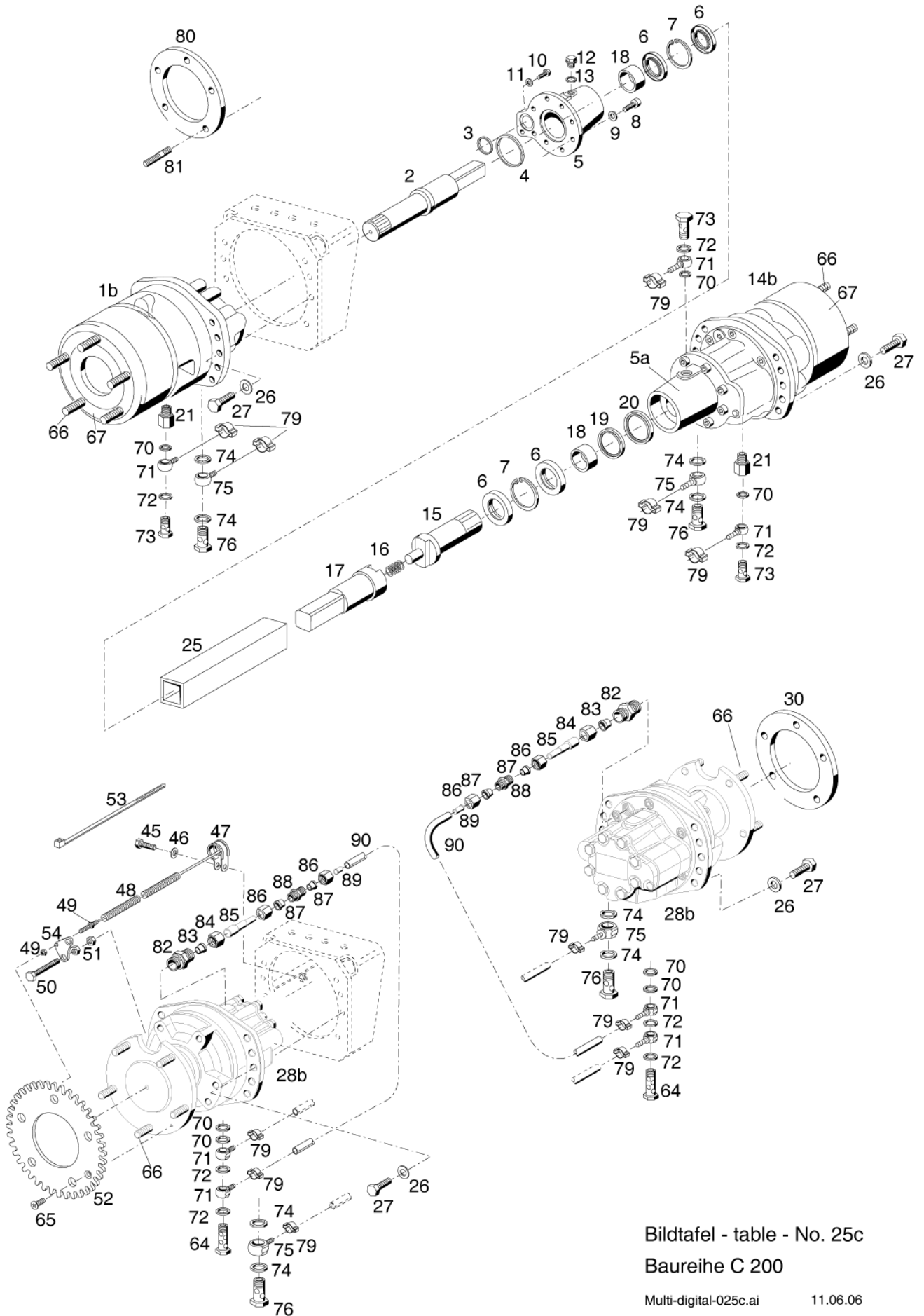
Bildtafel - table - No. 25b

Baureihe C 200

Multi-digital-025b.ai

15.08.06

Item no.	Article no.	Description	Quantity
51	011590	6-HEAD NUT	4
52	136360	IMPULS RING	1
53	027249	CABLE BAND	1
54	136361	HOLDER	1
65	011668	COUNTERSUNK SCREW	1
66	029090	WHEEL STUD	20
67	797037	BRAKE DRUM	2
70	029458	COMPOSITE SEAL WITH CENTERING HOLDER	5
71	029454	RING PIECE	5
72	029457	COMPOSITE SEAL	5
73	029455	HOLLOW SCREW	5
74	029456	COMPOSITE SEAL WITH CENTERING HOLDER	8
75	029453	RING PIECE	4
76	025292	HOLLOW SCREW	4
77	029458	COMPOSITE SEAL WITH CENTERING HOLDER	4
78	011539	6-HEAD SCREW	4
79	020658	HOSE CLAMP	9
79.1	141336	track broadening front axle	1
80	134308	spacer ring	2
81	029784	WHEEL BOLT	10



Bildtafel - table - No. 25c

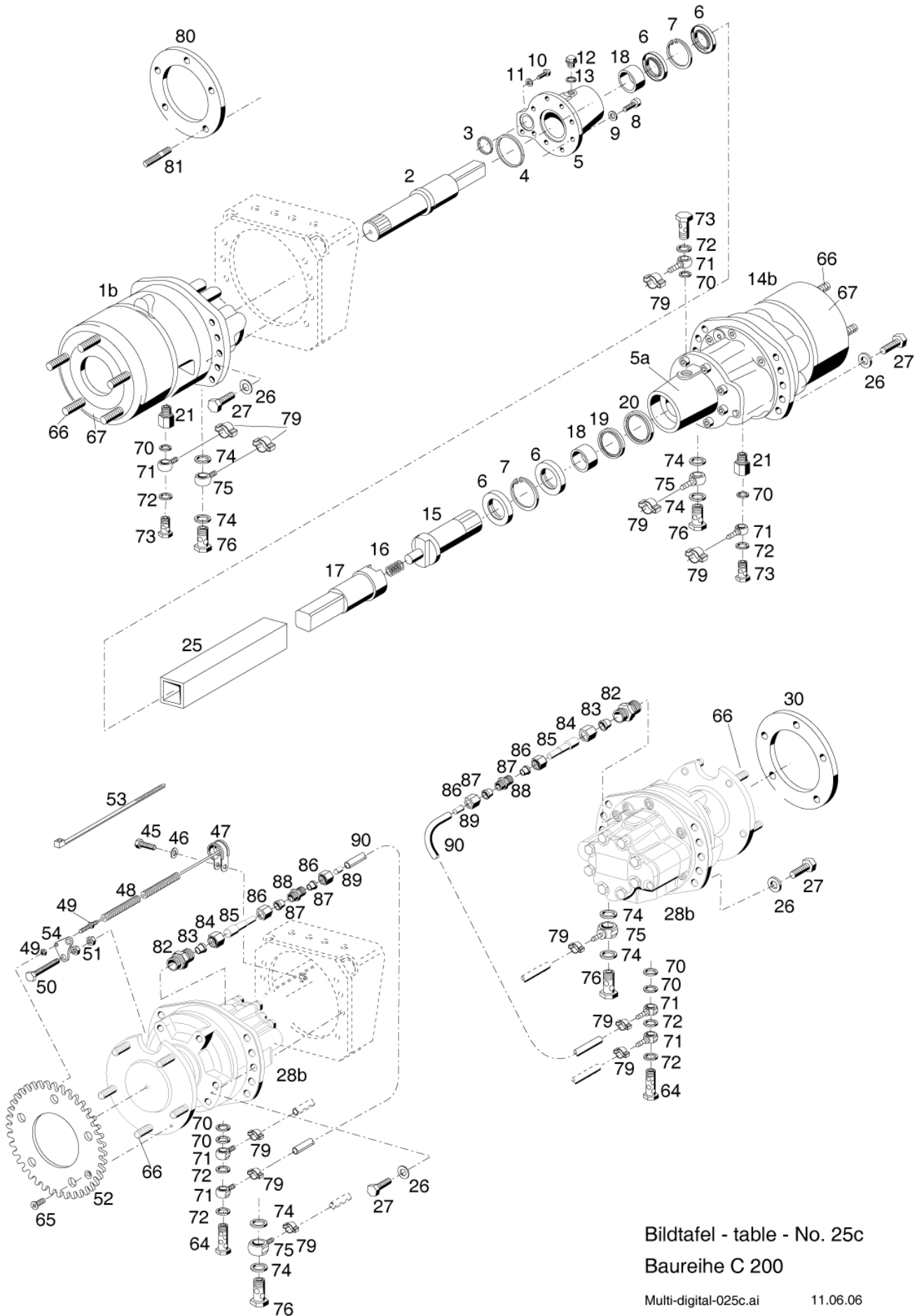
Baureihe C 200

Multi-digital-025c.ai

11.06.06

000 000

Item no.	Article no.	Description	Quantity
1b	150002	WHEEL MOTOR FRONT LEFT	1
1b.1	797974	GASKET KIT	1
2	143639	SHAFT LEFT	1
3	796351	SQUARE SEAL	2
4	796263	SQUARE SEAL	2
5	143634	+HOUSING LEFT ASSY. COMPL.	1
5a	143633	+HOUSING RIGHT ASSY. COMPL.	1
6	030954	SHAFT SEAL	4
7	010165	LOCKING RING FOR BORE HOLE	2
8	011214	INNER-6-HEAD SCREW	16
9	010064	SPRING WASHER	16
10	011514	6-HEAD SCREW	2
11	010063	SPRING WASHER	2
12	011261	LOCKING SCREW	1
13	028810	GASKET RING	1
14b	150001	WHEEL MOTOR FRONT RIGHT	1
14b.1	797974	GASKET KIT	1
15	143265	SHAFT	1
16	013654	PRESSURE SPRING	1
17	143264	SHAFT RIGHT	1
18	030174	PLATE BEARING	2
19	030175	RING	1
20	030176	RING	1
21	028415	DOUBLE SOCKET	2
25	133950	PIPE	1
26	010065	SPRING WASHER	32
27	011540	6-HEAD SCREW	32
28b	150003	WHEEL MOTOR RIGHT LEFT REAR WITHOUT BRAKE	2
28b.1	797975	797975	1
30	134308	spacer ring	1
40	136321	136321	1
45	011511	6-HEAD SCREW	1
46	010063	SPRING WASHER	1
47	026557	PIPE CLAMP WITH RUBBER PROFILE	1
48	028971	CORRUGATED HOSE	1
49	028969	INDUCTIVE SWITCH	1
50	028968	6-HEAD SCREW	2
51	011590	6-HEAD NUT	4
52	136360	IMPULS RING	1
53	027249	CABLE BAND	1
54	136361	HOLDER	1
64	031273	BANJO BOLT	2
65	011668	COUNTERSUNK SCREW	1
66	029090	WHEEL STUD	20
67	797037	BRAKE DRUM	2
70	029458	COMPOSITE SEAL WITH CENTERING HOLDER	7
71	029454	RING PIECE	6
72	029457	COMPOSITE SEAL	7
73	029455	HOLLOW SCREW	3
74	029456	COMPOSITE SEAL WITH CENTERING HOLDER	8
75	029453	RING PIECE	4



Bildtafel - table - No. 25c

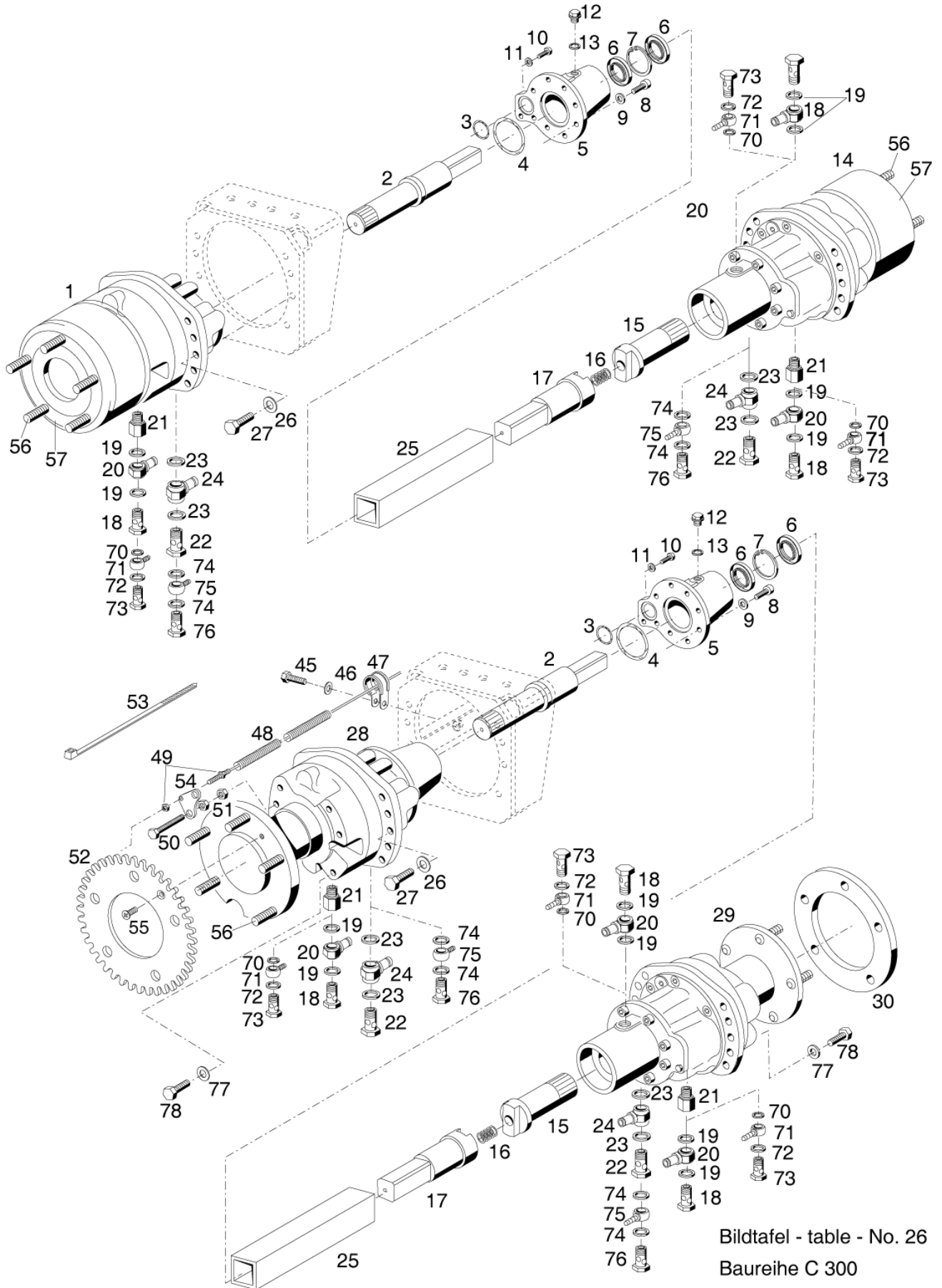
Baureihe C 200

Multi-digital-025c.ai

11.06.06

000 000

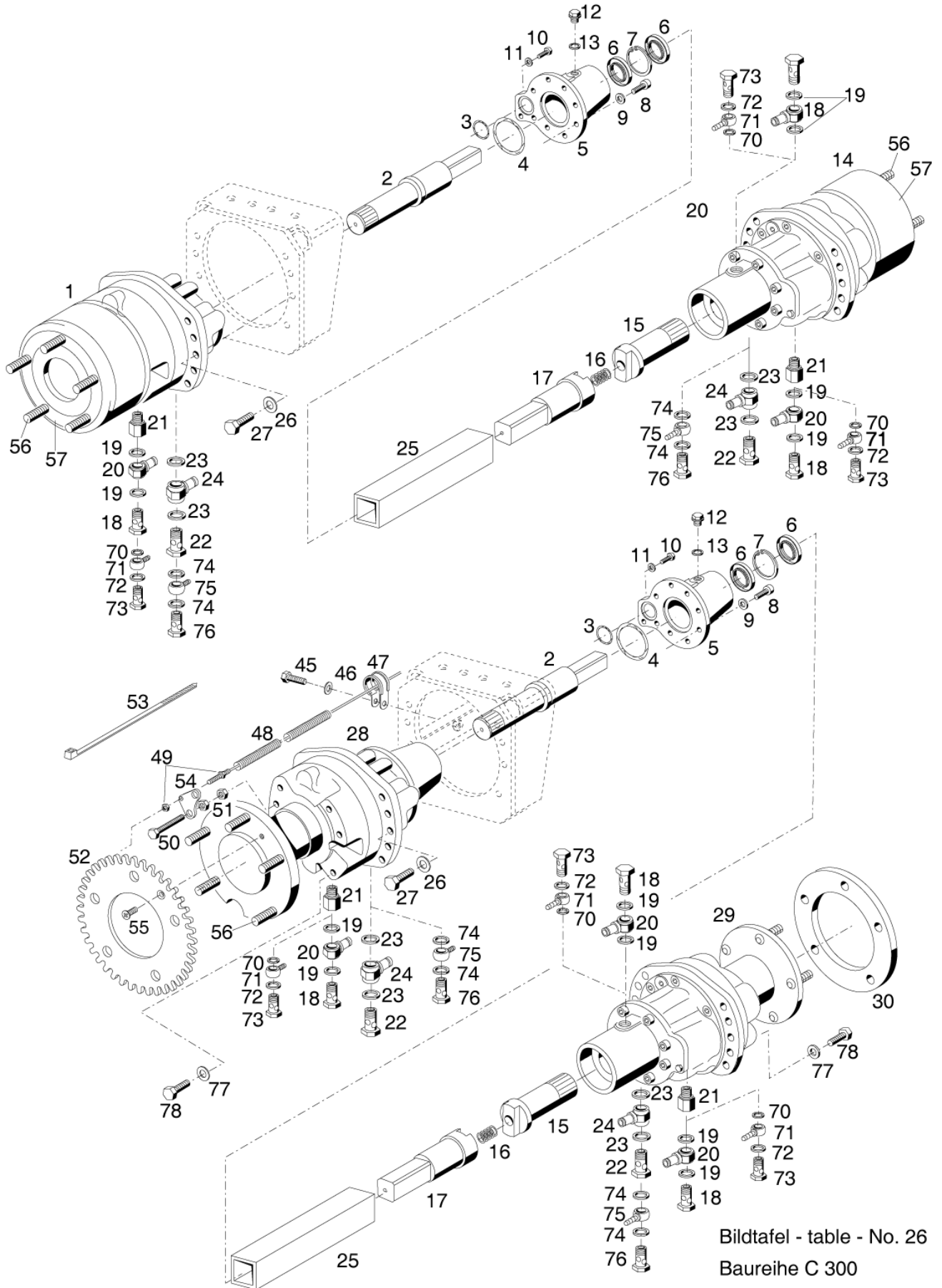
Item no.	Article no.	Description	Quantity
76	025292	HOLLOW SCREW	4
79	020658	HOSE CLAMP	11
79.1	141336	track broadening front axle	11
80	134308	spacer ring	2
81	029784	WHEEL BOLT	10
82	028605	STRAIGHT SCREW-IN FITTING	2
83	015752	PROFILE RING	2
84	015727	UNION NUT	2
85	150079	150079	2
86	029526	UNION NUT	4
87	029527	PROFILE RING	4
88	031290	STRAIGHT NOZZLE	2
89	028979	SUPPORT SLEEVE	2
90	031289	PRESSURE PIPE	2



Bildtafel - table - No. 26
Baureihe C 300

Multi-digital-026.ai 15.08.02

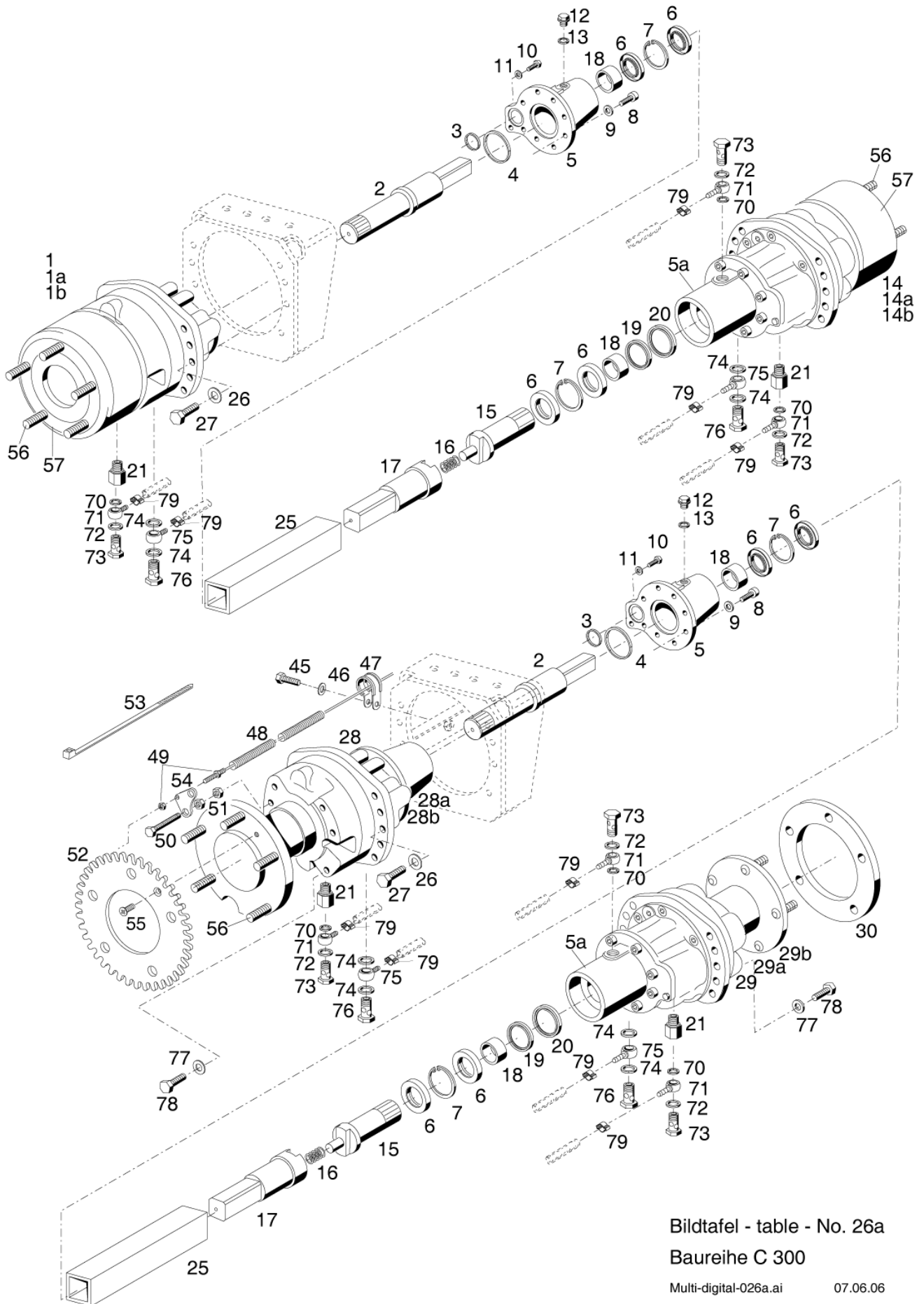
Item no.	Article no.	Description	Quantity
1	138709	+PREASS. WHEEL MOTOR LEFT FRONT	1
1.1	797245	GASKET KIT	1
2	135224	SHAFT	2
3	796351	SQUARE SEAL	4
4	796263	SQUARE SEAL	4
5	133925	HOUSING	4
6	030954	SHAFT SEAL	8
7	010165	LOCKING RING FOR BORE HOLE	2
8	011214	INNER-6-HEAD SCREW	32
9	010064	SPRING WASHER	32
10	011514	6-HEAD SCREW	4
11	010063	SPRING WASHER	4
12	011261	LOCKING SCREW	2
13	028810	GASKET RING	2
14	138708	+PREASS. WHEEL MOTOR RIGHT FRONT	1
14.1	797245	GASKET KIT	1
15	133948	+SHAFT	2
16	013654	PRESSURE SPRING	2
17	133949	WAVE RIGHTD=56X195	2
18	028571	HOLLOW SCREW	6
19	028810	GASKET RING	12
20	028569	+RING CONNECTION F WELDED FITTING	6
21	028415	DOUBLE SOCKET	4
22	028572	HOLLOW SCREW	4
23	028811	COMPOSITE SEAL	8
24	028570	RING	4
25	133950	PIPE	2
26	010065	SPRING WASHER	32
27	011540	6-HEAD SCREW	32
28	135213	+PREASS. WHEEL MOTOR LEFT REAR w/o BR	1
28.1	797245	GASKET KIT	1
29	135212	+PREASS. WHEEL MOTOR RIGHT REAR w/o BR	1
29.1	797245	GASKET KIT	1
30	134308	spacer ring	1
30.1	136321	136321	1
45	011511	6-HEAD SCREW	1
46	010063	SPRING WASHER	1
47	026557	PIPE CLAMP WITH RUBBER PROFILE	1
48	028971	CORRUGATED HOSE	1
49	028969	INDUCTIVE SWITCH	1
50	028968	6-HEAD SCREW	2
51	011590	6-HEAD NUT	2
52	136360	IMPULS RING	1
53	027249	CABLE BAND	1
54	136361	HOLDER	1
55	011668	COUNTERSUNK SCREW	1
56	029090	WHEEL STUD	20
57	797037	BRAKE DRUM	2
70	029458	COMPOSITE SEAL WITH CENTERING HOLDER	6
71	029454	RING PIECE	6
72	029457	COMPOSITE SEAL	6



Bildtafel - table - No. 26
Baureihe C 300

Multi-digital-026.ai 15.08.02

Item no.	Article no.	Description	Quantity
73	029455	HOLLOW SCREW	6
74	029456	COMPOSITE SEAL WITH CENTERING HOLDER	8
75	029453	RING PIECE	4
76	025292	HOLLOW SCREW	4
77	029458	COMPOSITE SEAL WITH CENTERING HOLDER	4
78	011539	6-HEAD SCREW	4



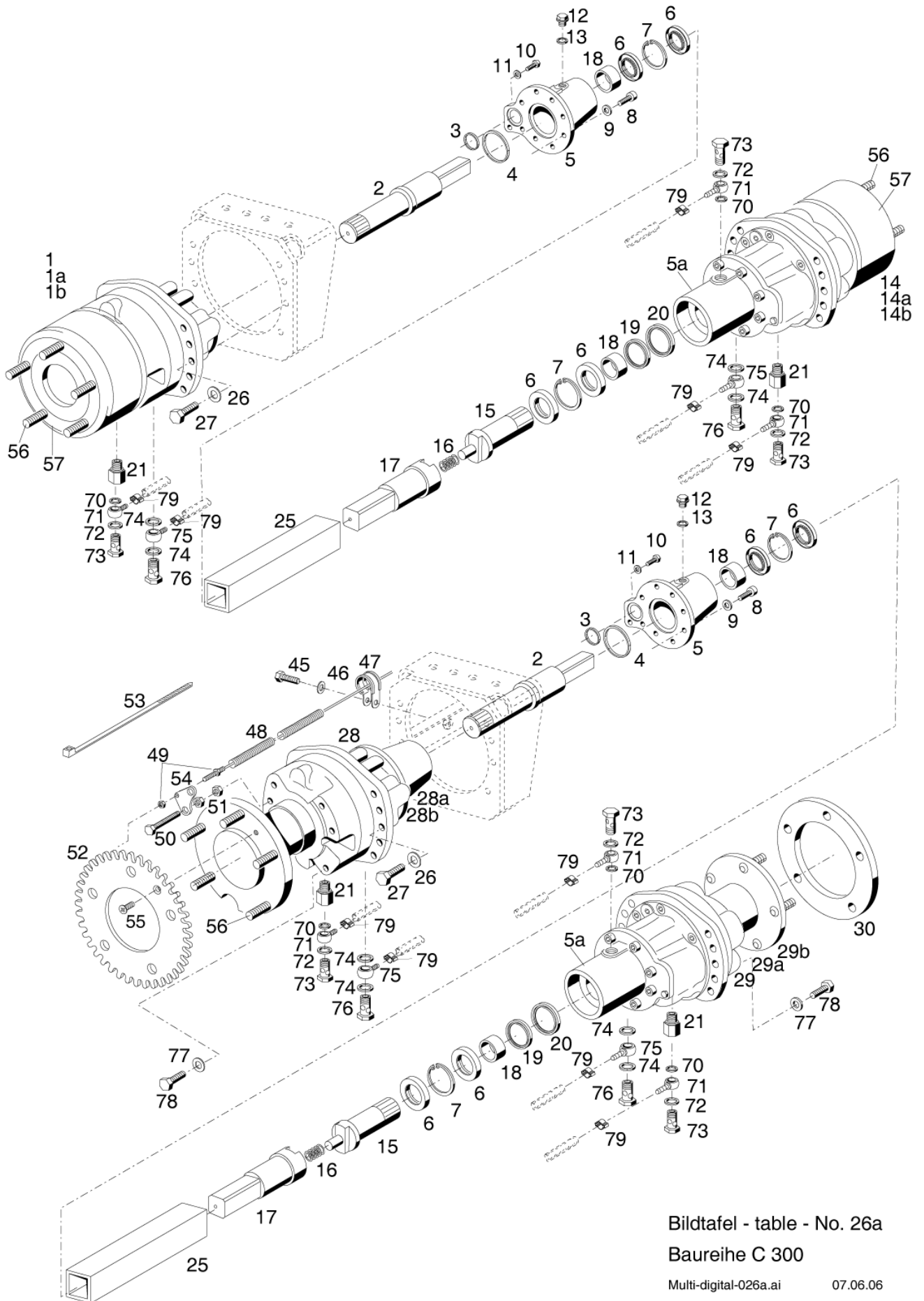
Bildtafel - table - No. 26a

Baureihe C 300

Multi-digital-026a.ai

07.06.06

Item no.	Article no.	Description	Quantity
1	143303	wheel motor	1
1.1	797245	GASKET KIT	1
1a	148843	WHEEL MOTOR FRONT LEFT	1
1a.1	797974	GASKET KIT	1
1b	149923	WHEEL MOTOR FRONT LEFT	1
1b.1	797974	GASKET KIT	1
1c	143627	KIT FOR WHEEL MOTORS OLD LEFT	1
2	143639	SHAFT LEFT	2
3	796351	SQUARE SEAL	4
4	796263	SQUARE SEAL	4
5	143634	+HOUSING LEFT ASSY. COMPL.	2
5a	143633	+HOUSING RIGHT ASSY. COMPL.	2
6	030954	SHAFT SEAL	8
7	010165	LOCKING RING FOR BORE HOLE	2
8	011214	INNER-6-HEAD SCREW	32
9	010064	SPRING WASHER	32
10	011514	6-HEAD SCREW	4
11	010063	SPRING WASHER	4
12	011261	LOCKING SCREW	2
13	028810	GASKET RING	2
14	143302	+PREASS. WHEEL MOTOR RIGHT FRONT	1
14.1	797245	GASKET KIT	1
14a	148842	WHEEL MOTOR FRONT REAR	1
14a.1	797974	GASKET KIT	1
14b	149922	WHEEL MOTOR FRONT RIGHT AND LEFT WITHOUT BRAKE	1
14b.1	797974	GASKET KIT	1
14c	143626	WHEEL ENGINE	1
15	143265	SHAFT	2
16	013654	PRESSURE SPRING	2
17	143264	SHAFT RIGHT	2
18	030174	PLATE BEARING	4
19	030175	RING	2
20	030176	RING	2
21	028415	DOUBLE SOCKET	4
25	133950	PIPE	2
26	010065	SPRING WASHER	32
27	011540	6-HEAD SCREW	32
28	143305	+PREASS. WHEEL MOTOR LEFT REAR w/o BR	1
28.1	797245	GASKET KIT	1
28a	148841	WHEEL MOTOR REAR LEFT WITHOUT BRAKE	1
28a.1	797973	GASKET KIT	1
28b	149921	WHEEL MOTOR REAR LEFT WITHOUT BRAKE	1
28b.1	797973	GASKET KIT	1
28c	143627	KIT FOR WHEEL MOTORS OLD LEFT	1
29	143304	+PREASS. WHEEL MOTOR RIGHT REAR w/o BR	1
29.1	797245	GASKET KIT	1
29a	148840	WHEEL MOTOR REAR RIGHT WITHOUT BRAKE	1
29a.1	797973	GASKET KIT	1
29b	149920	WHEEL MOTOR REAR RIGHT WITHOUT BRAKE	1
29b.1	797973	GASKET KIT	1
29c	143626	WHEEL ENGINE	1



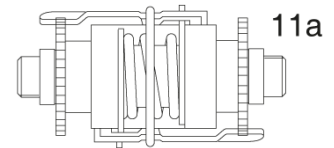
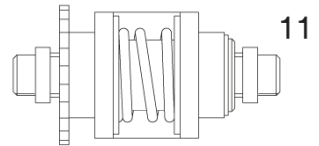
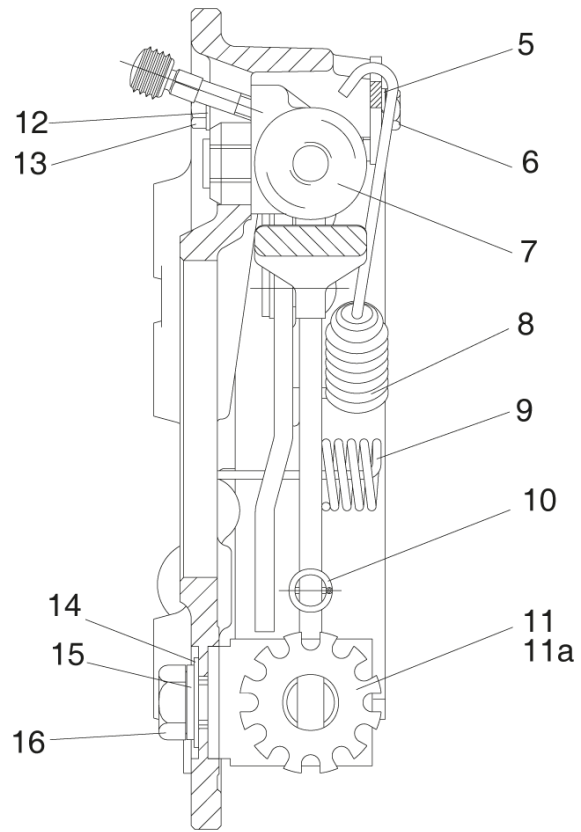
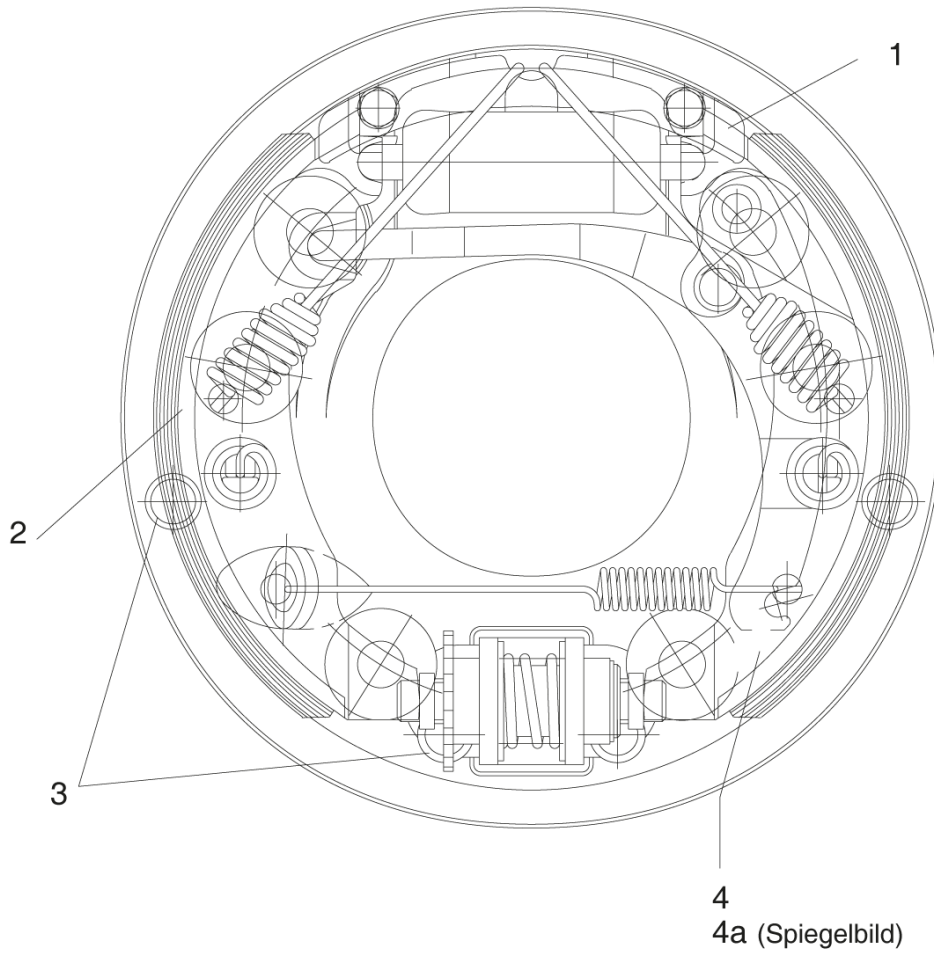
Bildtafel - table - No. 26a

Baureihe C 300

Multi-digital-026a.ai

07.06.06

Item no.	Article no.	Description	Quantity
30	134308	spacer ring	1
30.1	136321	136321	1
45	011511	6-HEAD SCREW	1
46	010063	SPRING WASHER	1
47	026557	PIPE CLAMP WITH RUBBER PROFILE	1
48	028971	CORRUGATED HOSE	1
49	028969	INDUCTIVE SWITCH	1
50	028968	6-HEAD SCREW	2
51	011590	6-HEAD NUT	2
52	136360	IMPULS RING	1
53	027249	CABLE BAND	1
54	136361	HOLDER	1
55	011668	COUNTERSUNK SCREW	1
56	029090	WHEEL STUD	20
57	797037	BRAKE DRUM	2
70	029458	COMPOSITE SEAL WITH CENTERING HOLDER	6
71	029454	RING PIECE	6
72	029457	COMPOSITE SEAL	6
73	029455	HOLLOW SCREW	6
74	029456	COMPOSITE SEAL WITH CENTERING HOLDER	8
75	029453	RING PIECE	4
76	025292	HOLLOW SCREW	4
77	029458	COMPOSITE SEAL WITH CENTERING HOLDER	4
78	011539	6-HEAD SCREW	4
79	020658	HOSE CLAMP	10



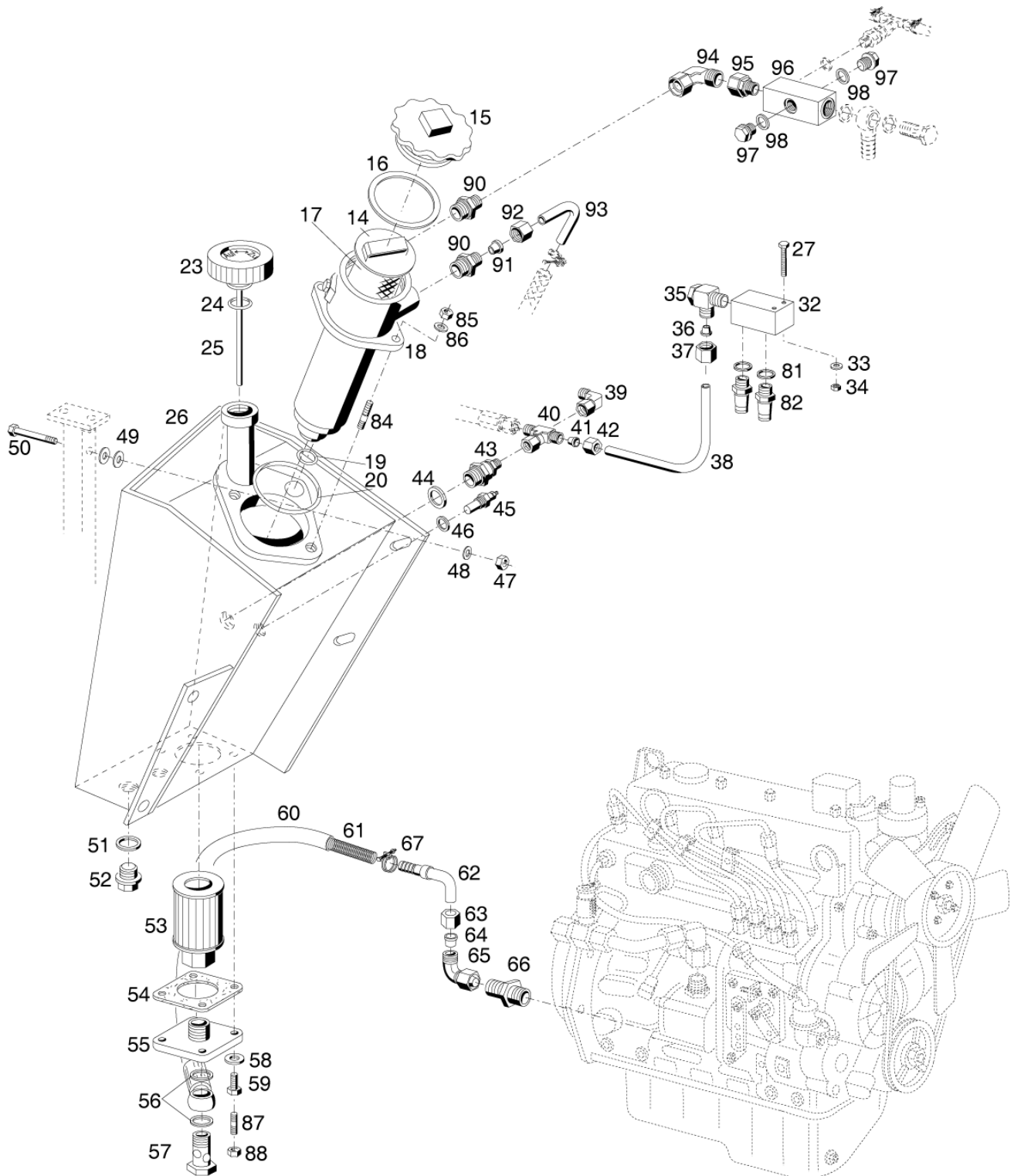
Bildtafel - table - No. 28

Multi-digital-028.ai

06.10.15

Item no.	Article no.	Description	Quantity
1	136682	LOWER BRACKET	1
2	136683	BRAKE SHOE	1
3	136684	CLOSURE PLUG	4
4	136685	BRAKE SHOE, RIGHT	1
4a	136686	BRAKE SHOE, LEFT	1
5	011139	SPRING RING	2
6	011502	6-HEAD SCREW	2
7	136687	WHEEL CYLINDER	1
8	136688	TENSION SPRING	2
9	136689	PRESSURE SPRING	2
10	136690	TENSION SPRING	1
11	136691	AFTER ADJUSTING LOCK	1
11a	139523	AUTOMATIC ADJUSTMENT	1
12	011139	SPRING RING	2
13	011504	6-HEAD SCREW	2
14	010065	SPRING WASHER	2
15	010047	SHIM	2
16	029042	6-HEAD SCREW	2

Item no.	Article no.	Description	Quantity
240	800702	HYDRAULIC OIL TANK, FILTER, TILL 30.09.99	1
250	800703	HYDRAULIC OIL TANK, FILTER, AS OF 01.10.99	1
260	800704	HYDRAULIC LINE FOR OIL COOLER, TILL 31.01.03	1
270	800705	HYDRAULIC LINE FOR OIL COOLER, AS OF 01.02.03	1
280	800706	PRESSURE- AND RETURN LINE FOR STEERING C200	1
290	800707	PRESSURE- AND RETURN LINE FOR STEERING C300	1
300	800708	SUCTION LINE FOR HYDRAULIC DRIVE	1
310	800709	SUCTION LINE FOR TRAVEL DRIVE, FOUR-WHEEL DRIVE	1
320	800710	PRESSURE LINE, TILL 202001844, 203000739	1
330	800711	PRESSURE LINE AS OF 202001845, 203000740	1
340	800712	800712	1
360	800713	PRESSURE LINE, VARIABLE DISPLACEMENT PUMP AS OF 202 002 319	1
370	800714	VARIABLE DISPLACEMENT PUMP	1
380	800715	VARIABLE DISPLACEMENT PUMP	1

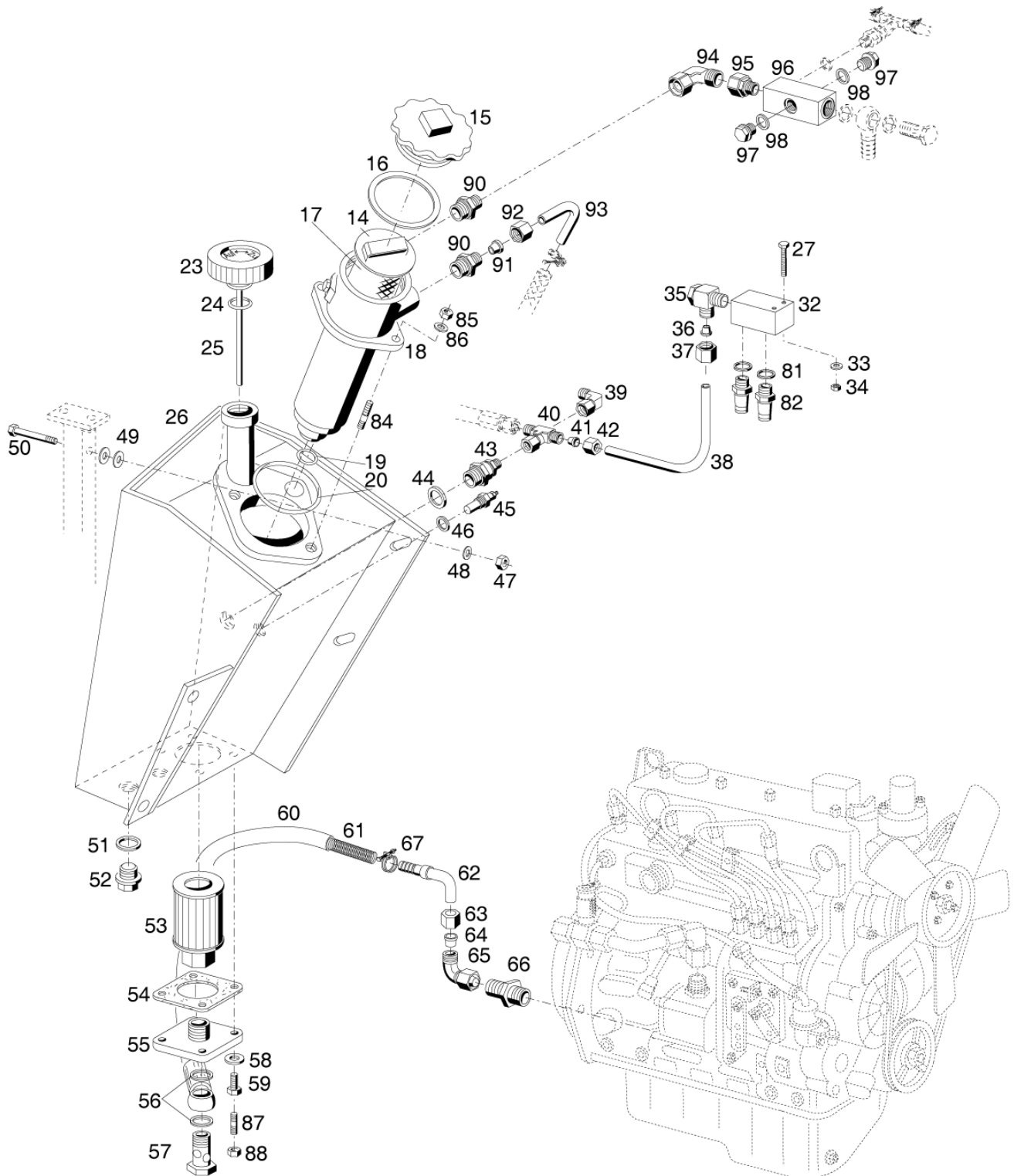


Bildtafel - table - No. 30

Multi-digital-030.ai

09.11.10

Item no.	Article no.	Description	Quantity
14	030568	COVER FOR CARTRIDGE	1
15	792961	COVER	1
16	794648	FLAT GASKET	1
17	028679	FILTER ELEMENT	1
18	028522	RETURN FILTERS	1
19	028524	O-RING SEAL	1
20	028525	O-RING SEAL	1
23	136654	VENTILATION FILTER	1
24	027362	O-RING SEAL	1
25	135674	DIP STICK	1
26	134742	HYDRAULIC RESERVOIR	1
27	011162	6-HEAD SCREW	2
32	134882	COLLECTING BAR	1
33	011742	SPRING WASHER	2
34	011577	6-HEAD NUT	2
35	028628	ANGLE SWING SOCKET	1
36	015751	PROFILE RING	1
37	015725	UNION NUT	1
38	135436	PIPE	1
39	028615	ADJUTABEL ANGEL BRACKET	1
40	025120	ADJUSTABEL ANGEL SCREW CONNECTION	1
41	015751	PROFILE RING	2
42	015725	UNION NUT	2
43	028598	NONRETURN VALVE ADAPTER	1
44	010395	GASKET RING	1
45	020899	Temperature sender	1
46	010391	GASKET RING	1
47	011585	6-HEAD NUT	2
48	010064	SPRING WASHER	2
49	025055	SHIM	4
50	011105	6-HEAD SCREW	2
51	010397	GASKET RING	1
52	015354	MAGNETIC PLUGS	1
53	029539	SUCTION FILTER ELEMENT	1
54	134751	GASKET	1
55	134748	FLANGE	1
56	010401	GASKET RING	2
57	025293	HOLLOW SCREW	1
58	028702	GASKET RING	4
59	011514	6-HEAD SCREW	4
60	030518	LOW PRESSURE HOSE	1
61	028862	028862	1
62	135245	+MANIFOLD F.D=16 90 DEGREES	1
63	022529	UNION NUT	1
64	022531	PROFILE RING	1
65	028601	ADJUTABEL ANGEL BRACKET	1
66	028595	STRAIGHT SCREW-IN FITTING	1
67	023132	WIRE BAR CLAMP	1
81	010392	GASKET RING	2
82	028568	STRAIGHT SCREW IN UNION	2
84	011928	STUD SCREW	2

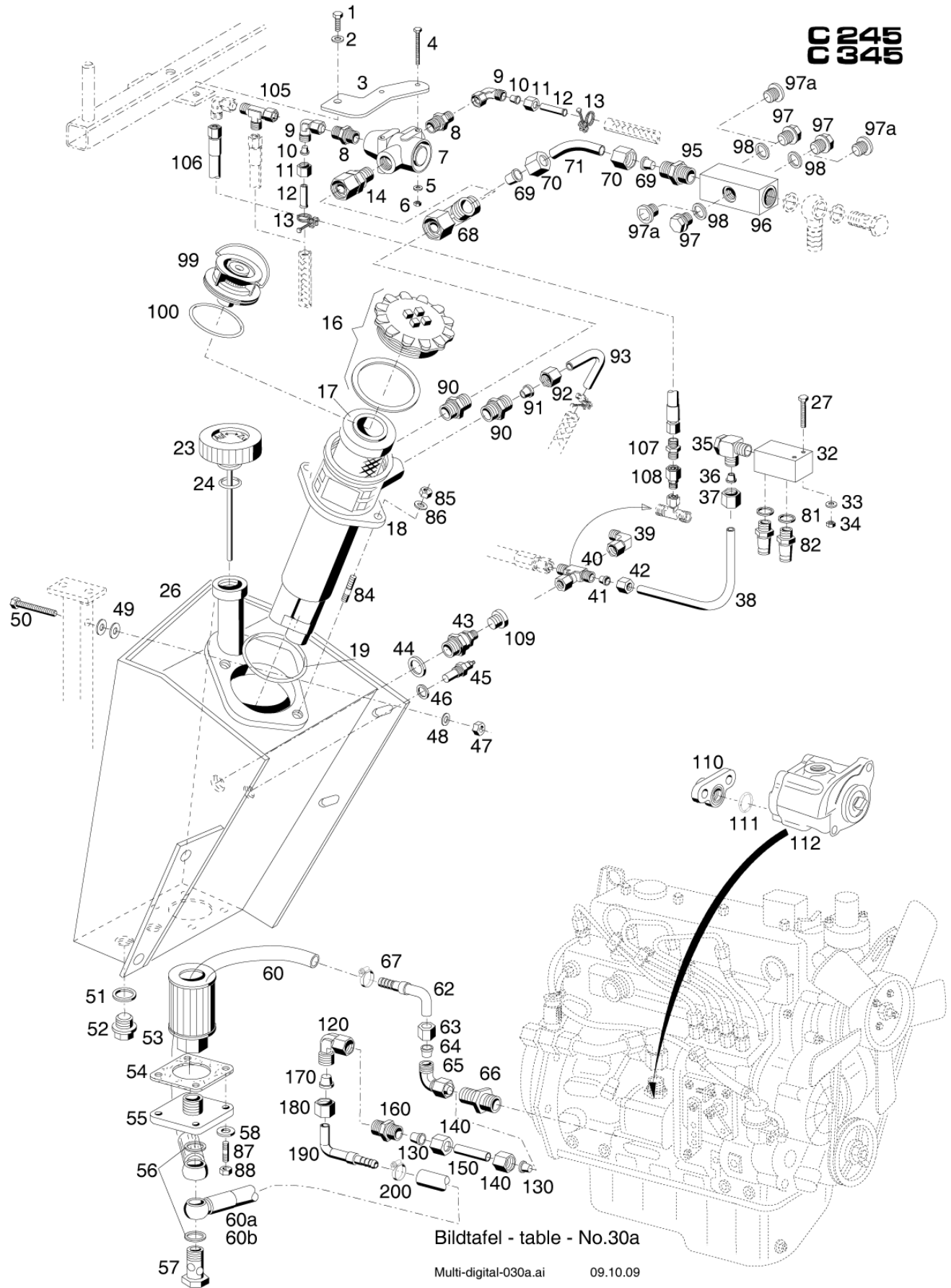


Bildtafel - table - No. 30

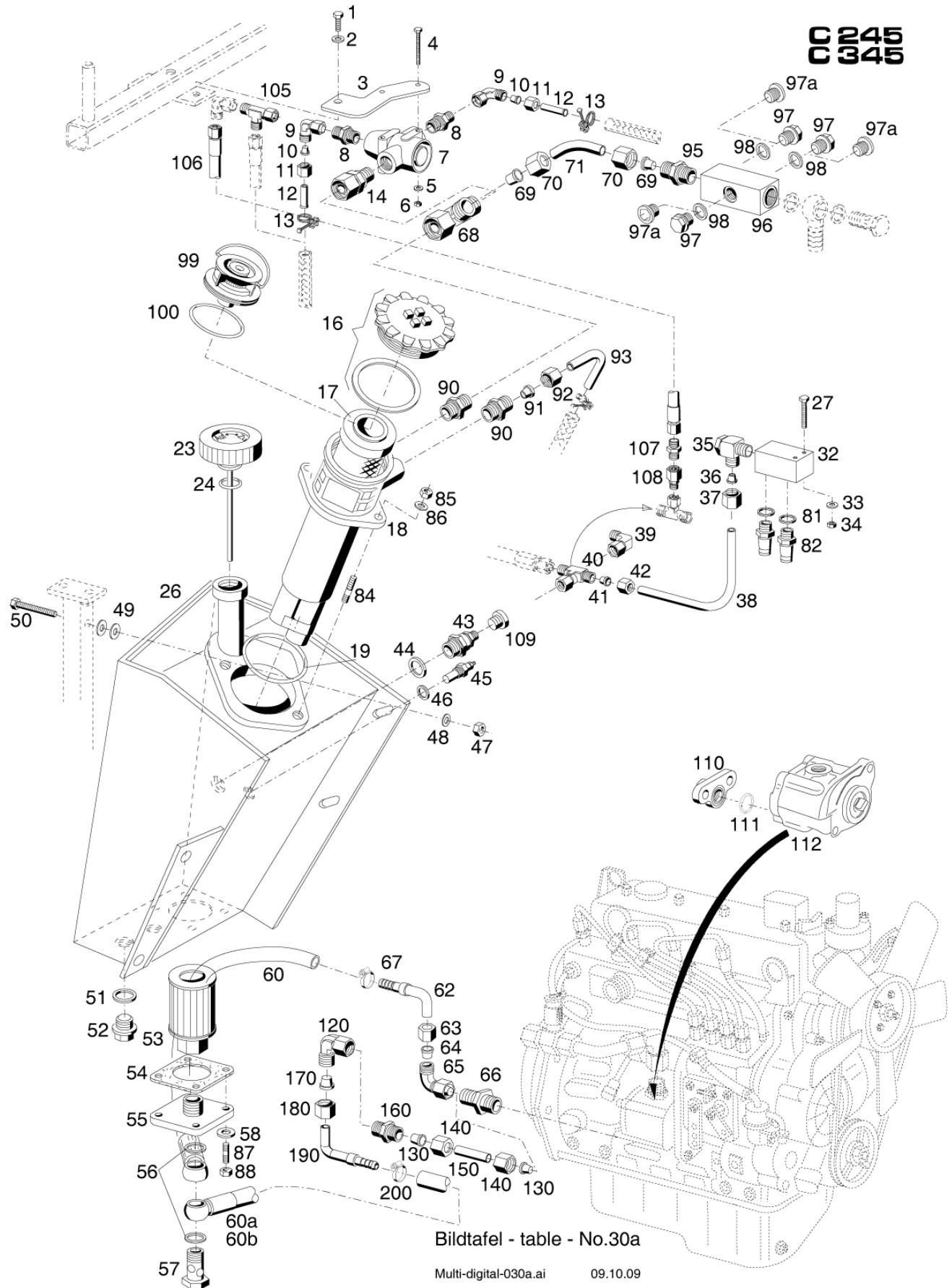
Multi-digital-030.ai

09.11.10

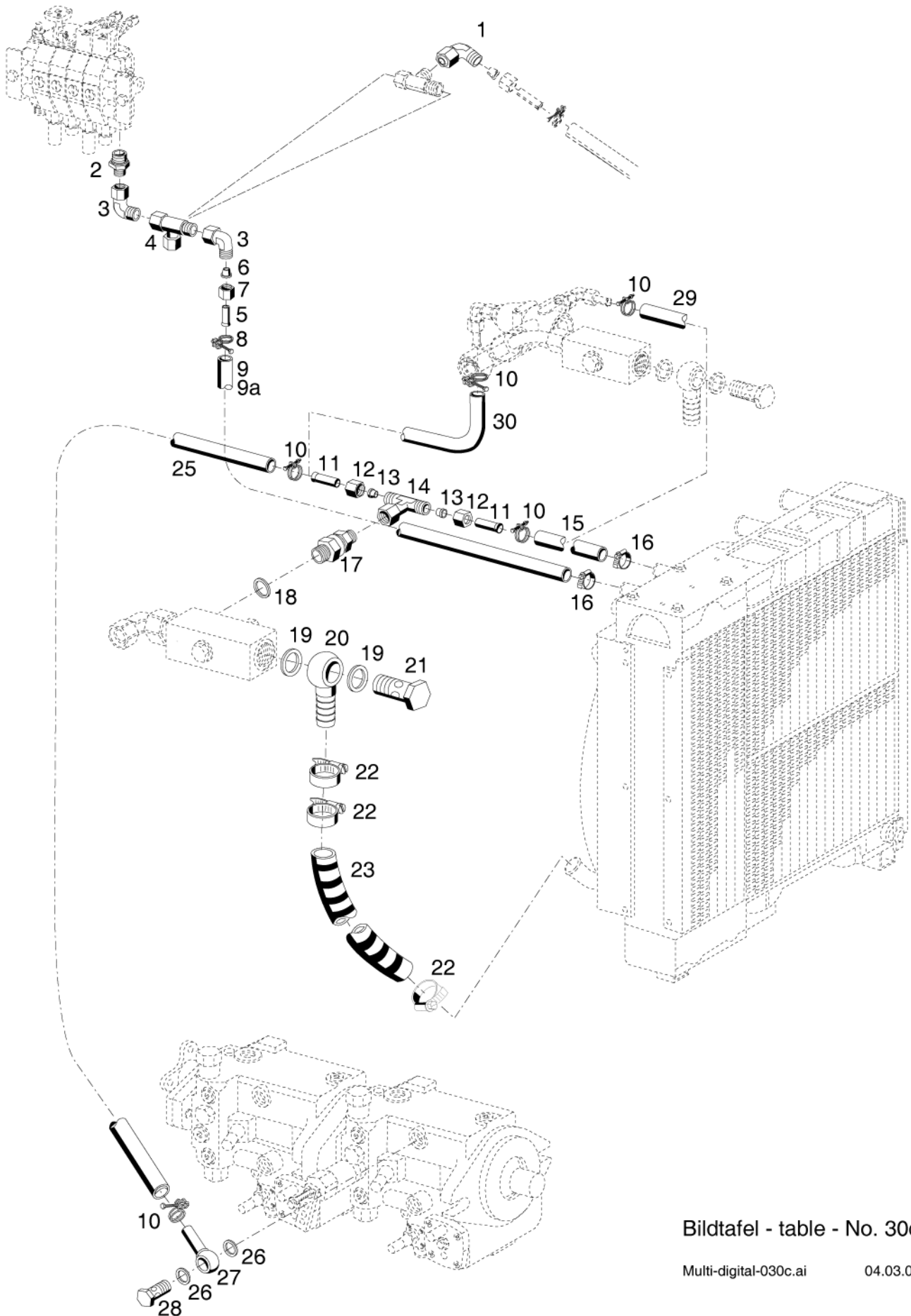
Item no.	Article no.	Description	Quantity
85	011585	6-HEAD NUT	2
86	010064	SPRING WASHER	2
87	011609	STUD SCREW	4
88	011579	6-HEAD NUT	4
90	028597	STRAIGHT SCREW-IN FITTING	2
91	015750	PROFILE RING	1
92	015724	UNION NUT	1
93	134868	ELBOW	1
94	029055	ADJUTABEL ANGEL BRACKET	1
95	029058	STRAIGHT SCREW-IN FITTING	1
96	136760	DISTRIBUTOR PIPE	1
97	010407	LOCKING SCREW	2
98	010401	GASKET RING	2



Item no.	Article no.	Description	Quantity
1	011527	6-HEAD SCREW	1
2	010064	SPRING WASHER	1
3	139262	HOLDER	1
4	027692	6-HEAD SCREW	2
5	011742	SPRING WASHER	2
6	011577	6-HEAD NUT	2
7	140447	OIL TEMPERATUR REGULATOR	1
8	028625	STRAIGHT SCREW-IN FITTING	2
9	028624	ADJUTABEL ANGEL BRACKET	2
10	015752	PROFILE RING	2
11	015727	UNION NUT	2
12	132073	PIPE	2
13	023132	WIRE BAR CLAMP	2
14	029058	STRAIGHT SCREW-IN FITTING	1
16	139563	CAP W. SEAL	1
17	029432	SPARE FILTER ELEMENT	1
18	029431	RETURN FLOW SUCTION FILTERS	1
19	029538	O-RING SEAL	1
24	027362	O-RING SEAL	1
26	134742	HYDRAULIC RESERVOIR	1
27	011162	6-HEAD SCREW	2
32	134882	COLLECTING BAR	1
33	011742	SPRING WASHER	2
34	011577	6-HEAD NUT	2
35	028628	ANGLE SWING SOCKET	1
36	015751	PROFILE RING	1
37	015725	UNION NUT	1
38	135436	PIPE	1
39	028615	ADJUTABEL ANGEL BRACKET	1
40	025120	ADJUSTABEL ANGEL SCREW CONNECTION	1
41	015751	PROFILE RING	2
42	015725	UNION NUT	2
43	028598	NONRETURN VALVE ADAPTER	1
44	010395	GASKET RING	1
45	020899	Temperature sender	1
46	010391	GASKET RING	1
47	011585	6-HEAD NUT	2
48	010064	SPRING WASHER	2
49	025055	SHIM	4
50	011533	6-HEAD SCREW	2
51	010397	GASKET RING	1
52	015354	MAGNETIC PLUGS	1
53	029539	SUCTION FILTER ELEMENT	1
54	134751	GASKET	1
55	134748	FLANGE	1
56	010401	GASKET RING	2
57	025293	HOLLOW SCREW	1
58	028702	GASKET RING	4
60	030518	LOW PRESSURE HOSE	1
60a	027085	RETURN FLOW HOSE	1
60b	031202	LOW PRESSURE PIPE	1



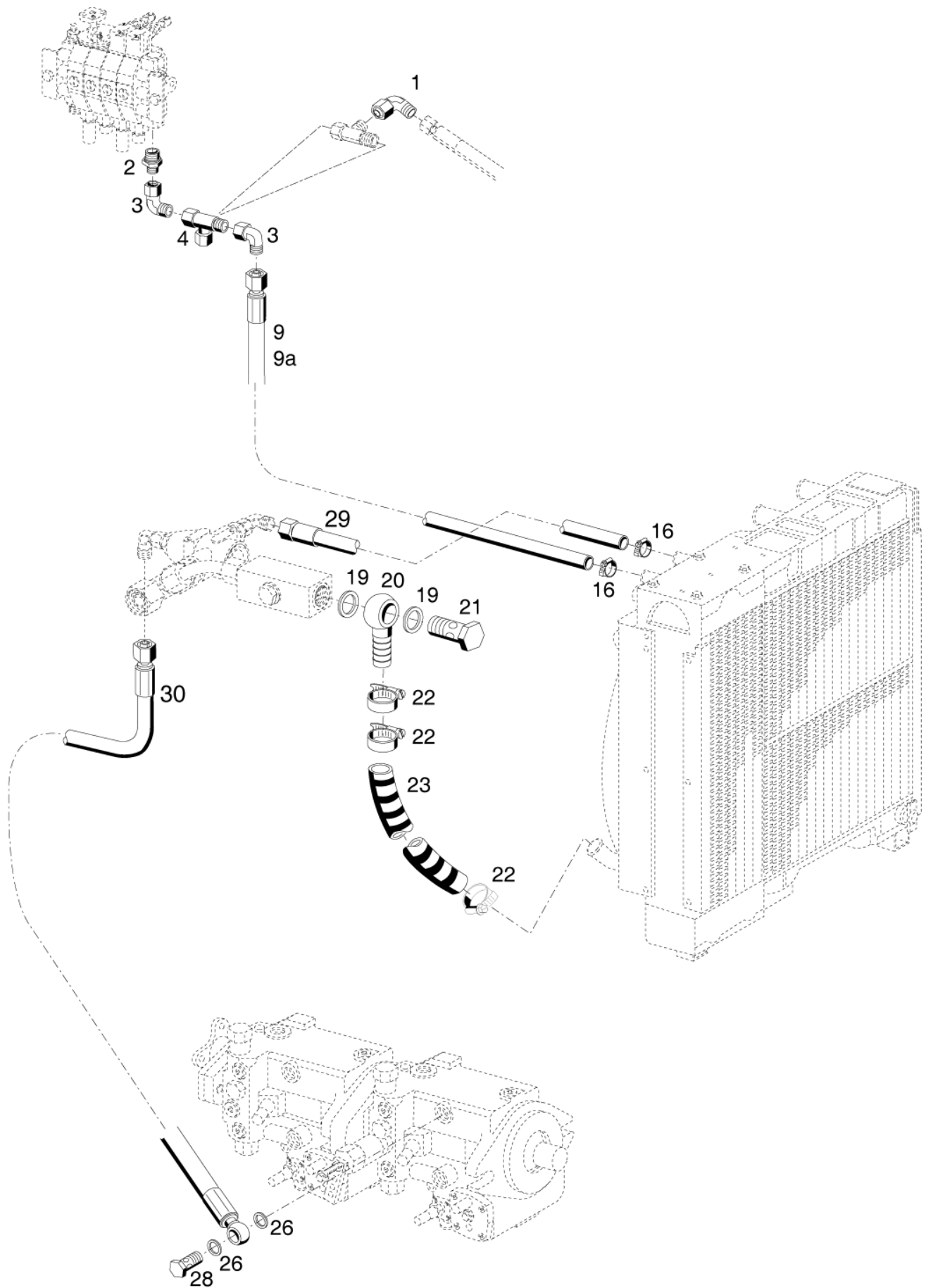
Item no.	Article no.	Description	Quantity
62	143048	HOSE NIPPLE	1
63	022529	UNION NUT	1
64	022531	PROFILE RING	1
65	028601	ADJUTABEL ANGEL BRACKET	1
66	028595	STRAIGHT SCREW-IN FITTING	1
67	030720	HOSE CLAMP	1
68	029470	ADJUSTABEL L-FITTING	1
69	015750	PROFILE RING	2
70	015724	UNION NUT	2
71	139261	PIPE ELBOW	1
81	010392	GASKET RING	2
82	028568	STRAIGHT SCREW IN UNION	2
84	011928	STUD SCREW	2
85	011585	6-HEAD NUT	2
86	010064	SPRING WASHER	2
87	011609	STUD SCREW	4
88	011579	6-HEAD NUT	4
90	028597	STRAIGHT SCREW-IN FITTING	2
91	015750	PROFILE RING	1
92	015724	UNION NUT	1
93	134868	ELBOW	1
95	028597	STRAIGHT SCREW-IN FITTING	1
96	136760	DISTRIBUTOR PIPE	1
97	010407	LOCKING SCREW	3
97a	031764	LOCKING SCREW	3
98	010401	GASKET RING	3
99	030060	SQUEEGEE	1
100	030059	O-RING SEAL	1
101	028601	ADJUTABEL ANGEL BRACKET	1
102	149949	CONVERSION KIT LEAKAGE OIL LINE	1
105	028620	ADJUSTABEL L-FITTING	1
106	031252	LOW PRESSURE HOSE	1
107	028642	STRAIGHT NOZZLE	1
108	028619	REDUCING NOZZLE	1
109	011030	LOCKING SCREW	1
110	797781	SUCTION FLANGE	1
111	781584	O-RING	1
112	787057	HYDRAULIC PUMP	1
120	028601	ADJUTABEL ANGEL BRACKET	1
130	022531	PROFILE RING	1
140	022529	UNION NUT	1
150	141014	PIPE	1
160	030599	STRAIGHT NOZZLE	1
170	022531	PROFILE RING	1
180	022529	UNION NUT	1
190	143048	HOSE NIPPLE	1
200	030720	HOSE CLAMP	1



Bildtafel - table - No. 30c

Multi-digital-030c.ai 04.03.05

Item no.	Article no.	Description	Quantity
1	028624	ADJUTABEL ANGEL BRACKET	1
2	028603	STRAIGHT SCREW-IN FITTING	1
3	028624	ADJUTABEL ANGEL BRACKET	2
4	028620	ADJUSTABEL L-FITTING	1
5	132073	PIPE	1
6	015752	PROFILE RING	1
7	015727	UNION NUT	1
8	023132	WIRE BAR CLAMP	1
9	029134	HOSE	1
9a	029095	+HOSE	1
10	023132	WIRE BAR CLAMP	2
11	132073	PIPE	2
12	015727	UNION NUT	2
13	015752	PROFILE RING	2
14	029059	ADJUSTABEL T-FITTING	1
15	029399	HOSE	1
16	030720	HOSE CLAMP	2
17	028612	NONRETURN VALVE ADAPTER	1
18	010401	GASKET RING	1
19	010402	GASKET RING	2
20	029060	HOSE NIPPLE WITH ADAPTER	1
21	025294	HOLLOW SCREW	1
22	030721	HOSE CLAMP	3
23	029137	HOSE	1
25	028745	+RETURN HOSE	1
26	010401	GASKET RING	2
27	030346	LOW PRESSURE EYES RING NIPPLE	3
28	026647	HOLLOW SCREW	1
29	029399	HOSE	1
30	029469	+RETURN HOSE	1

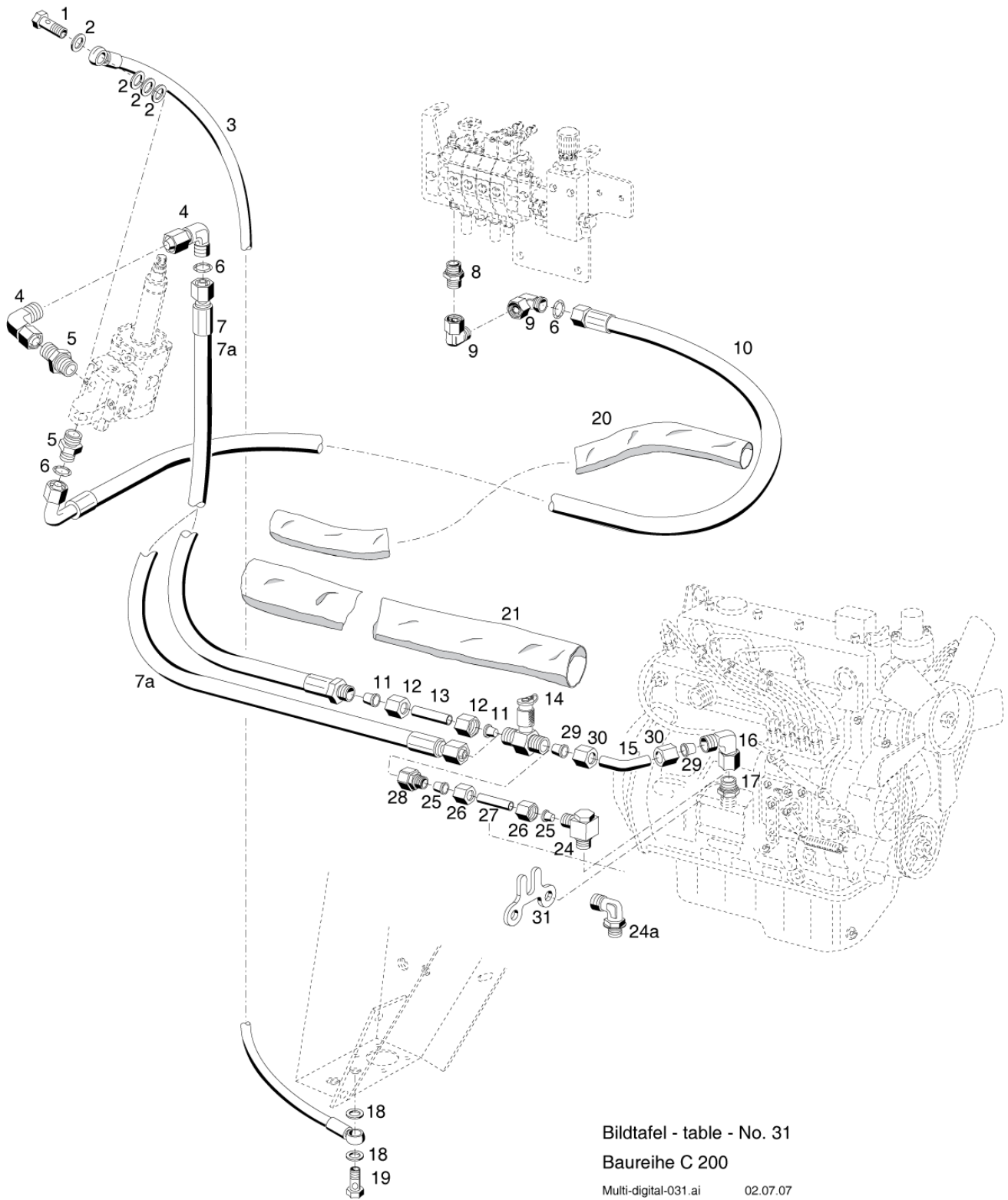


Bildtafel - table - No. 30d

Multi-digital-030d.ai

15.12.04

Item no.	Article no.	Description	Quantity
1	028624	ADJUTABEL ANGEL BRACKET	1
2	028603	STRAIGHT SCREW-IN FITTING	1
3	028624	ADJUTABEL ANGEL BRACKET	2
4	028620	ADJUSTABEL L-FITTING	1
9	030423	LOW-PRESSURE HOSE (PREASS.)	1
9a	030424	-LOW-PRESSURE HOSE (PREASS.)	1
16	030720	HOSE CLAMP	2
19	010402	GASKET RING	2
20	029060	HOSE NIPPLE WITH ADAPTER	1
21	025294	HOLLOW SCREW	1
22	030721	HOSE CLAMP	3
23	029137	HOSE	1
26	010401	GASKET RING	2
28	026647	HOLLOW SCREW	1
29	030425	-LOW-PRESSURE HOSE (PREASS.)	1
30	030427	LOW PRESSURE HOSE	1

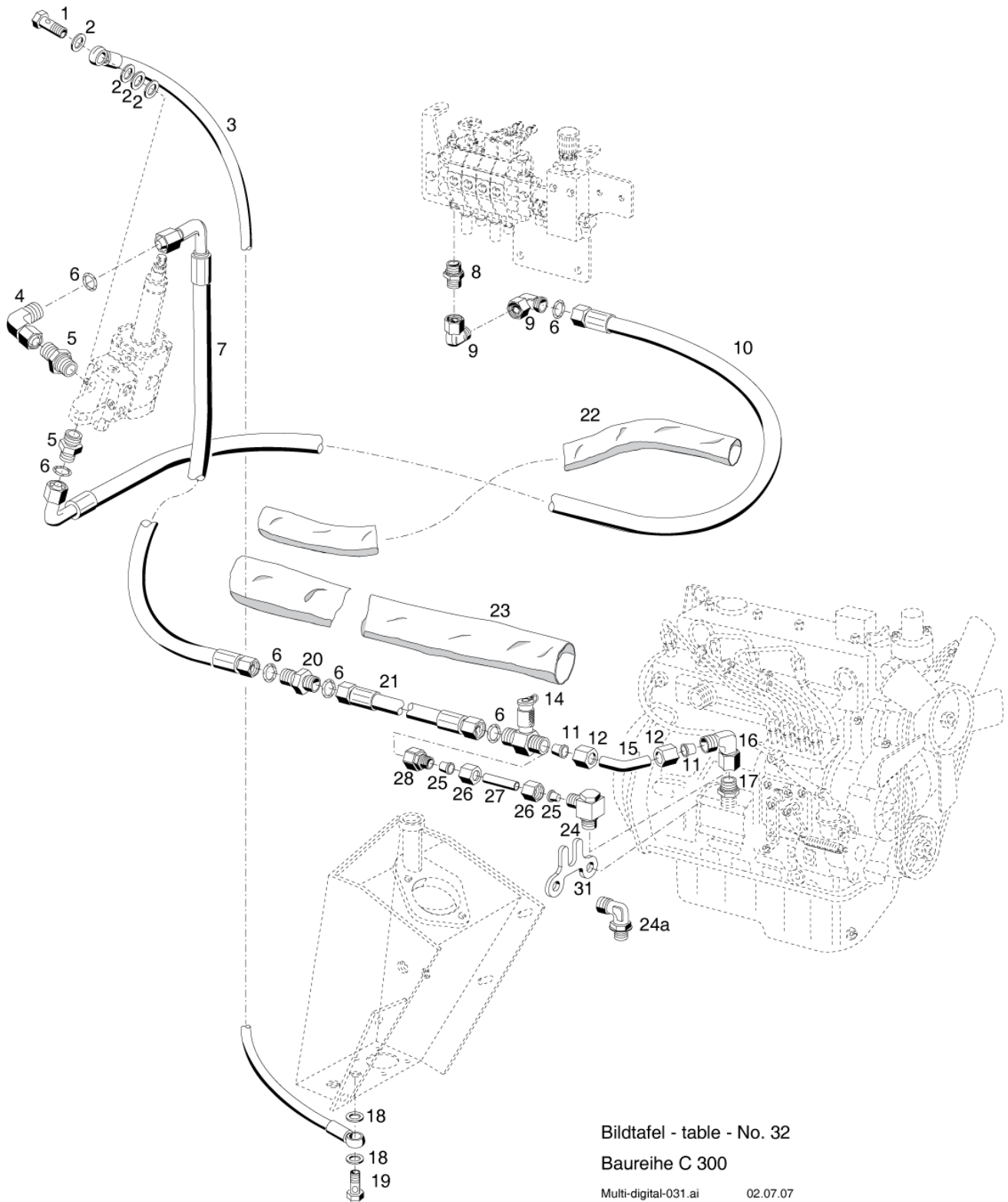


Bildtafel - table - No. 31

Baureihe C 200

Multi-digital-031.ai 02.07.07

Item no.	Article no.	Description	Quantity
1	025292	HOLLOW SCREW	1
2	014771	GASKET RING	4
3	135207	RETURN FLOW HOSE	1
4	028624	ADJUTABEL ANGEL BRACKET	2
5	028605	STRAIGHT SCREW-IN FITTING	2
6	012661	O-RING SEAL	3
7	028065	EXTREME PRESSURE HOSE	1
7a	029682	HIGH PRESSURE HOSE (PREASS.)	1
8	028603	STRAIGHT SCREW-IN FITTING	1
9	028624	ADJUTABEL ANGEL BRACKET	2
10	028699	HOSE LINE	1
11	015752	PROFILE RING	1
12	015727	UNION NUT	1
13	023197	PIPE	1
14	027833	MEASURING SCREW	1
15	133777	PIPE	1
16	028624	ADJUTABEL ANGEL BRACKET	1
17	028596	STRAIGHT SCREW-IN FITTING	1
18	010392	GASKET RING	2
19	025290	HOLLOW SCREW	1
20	028658	INDUSTRIAL HOSE	1
21	028659	INDUSTRIAL HOSE	1
24	028628	ANGLE SWING SOCKET	1
24a	031342	ANGLE SWING SOCKET	1
25	015751	PROFILE RING	2
26	015725	UNION NUT	2
27	029733	PIPE	1
28	028619	REDUCING NOZZLE	1
29	015752	PROFILE RING	2
30	015727	UNION NUT	2
31	148859	HOLDER	1



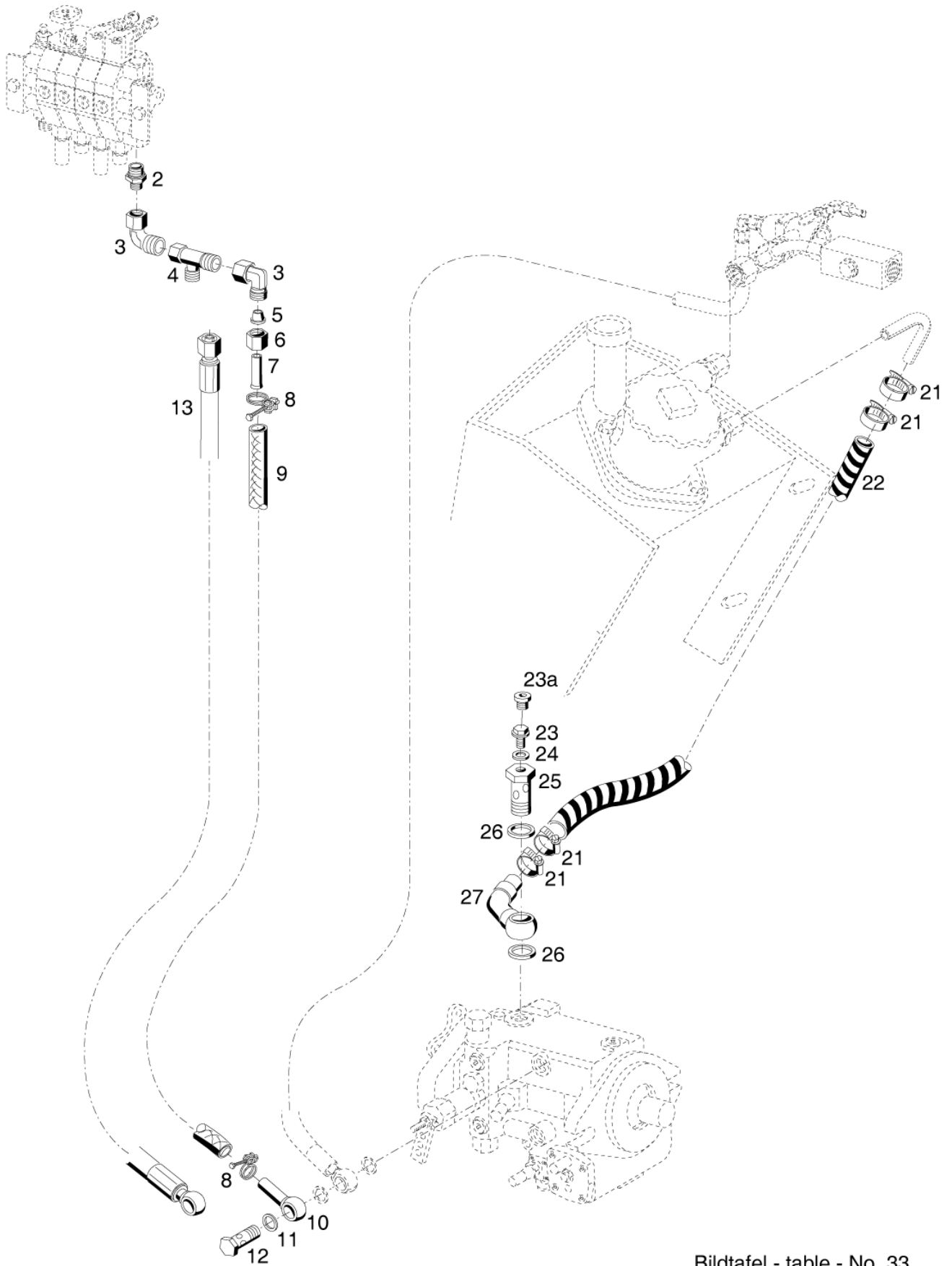
Bildtafel - table - No. 32

Baureihe C 300

Multi-digital-031.ai

02.07.07

Item no.	Article no.	Description	Quantity
1	025292	HOLLOW SCREW	1
2	014771	GASKET RING	4
3	135215	-RETURN HOSE ASSY. NL.	1
4	028624	ADJUTABEL ANGEL BRACKET	1
5	028605	STRAIGHT SCREW-IN FITTING	2
6	012661	O-RING SEAL	6
7	126705	HOSE LINE	1
8	028603	STRAIGHT SCREW-IN FITTING	1
9	028624	ADJUTABEL ANGEL BRACKET	2
10	126705	HOSE LINE	1
11	015752	PROFILE RING	2
12	015727	UNION NUT	2
14	027833	MEASURING SCREW	1
15	133777	PIPE	1
16	028624	ADJUTABEL ANGEL BRACKET	1
17	028596	STRAIGHT SCREW-IN FITTING	1
18	010392	GASKET RING	2
19	025290	HOLLOW SCREW	1
20	028642	STRAIGHT NOZZLE	1
21	028177	HIGH PRESSURE HOSE	1
22	028658	INDUSTRIAL HOSE	1
23	028659	INDUSTRIAL HOSE	1
24	028628	ANGLE SWING SOCKET	1
24a	031342	ANGLE SWING SOCKET	1
25	015751	PROFILE RING	2
26	015725	UNION NUT	2
27	029733	PIPE	1
28	028619	REDUCING NOZZLE	1
31	148859	HOLDER	1

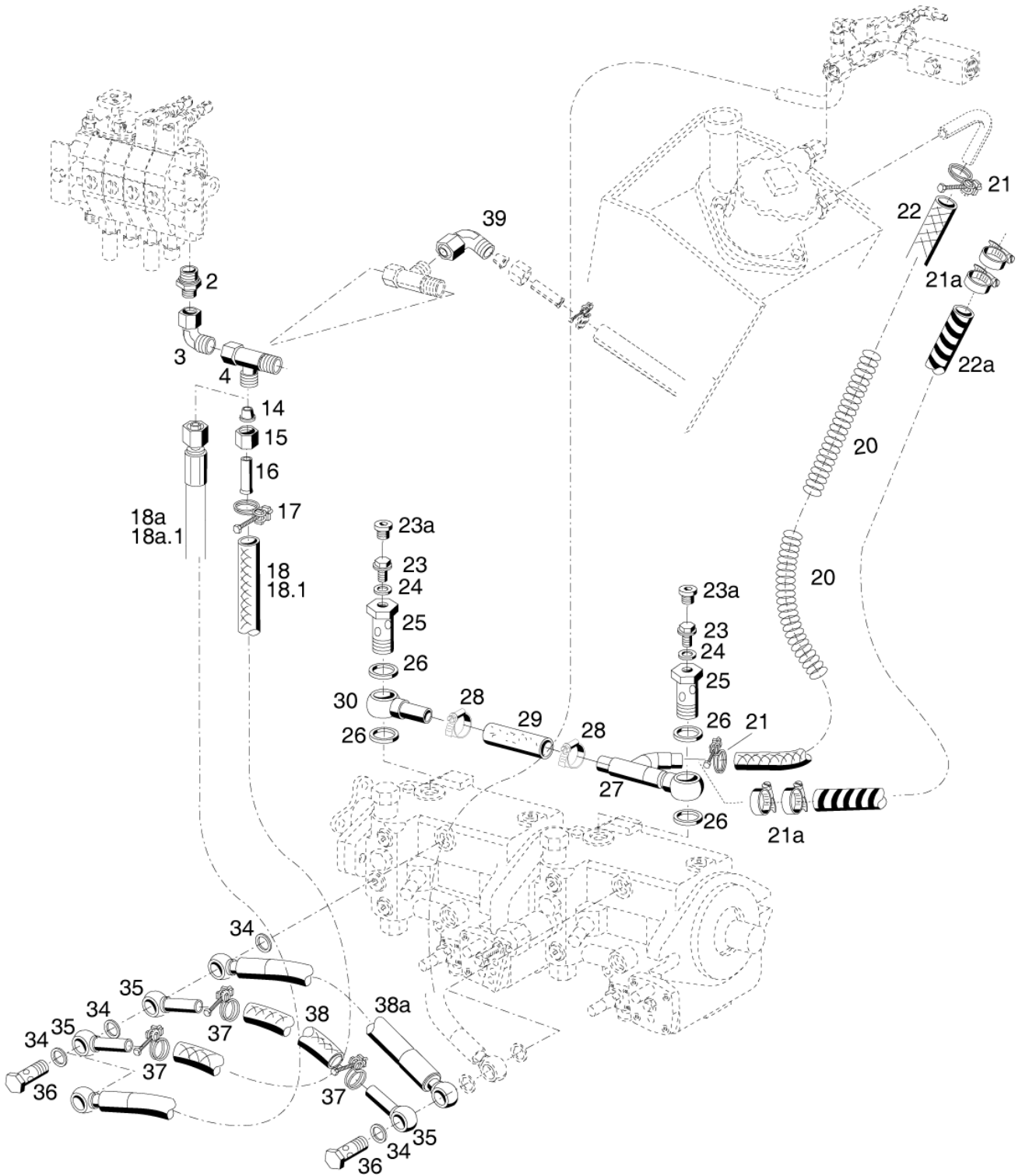


Bildtafel - table - No. 33

Multi-digital-033.ai

23.01.06

Item no.	Article no.	Description	Quantity
2	028603	STRAIGHT SCREW-IN FITTING	1
3	028624	ADJUSTABEL ANGEL BRACKET	2
4	028620	ADJUSTABEL L-FITTING	1
5	015752	PROFILE RING	1
6	015727	UNION NUT	1
7	132073	PIPE	1
8	023132	WIRE BAR CLAMP	2
9	026662	+RETURN HOSE	1
10	030346	LOW PRESSURE EYES RING NIPPLE	1
11	010401	GASKET RING	1
12	026647	HOLLOW SCREW	1
13	030426	LOW PRESSURE HOSE	1
21	030721	HOSE CLAMP	4
22	029556	HOSE	1
23	011037	LOCKING SCREW	1
23a	030909	LOCKING SCREW	1
24	010391	GASKET RING	1
25	027584	HOLLOW SCREW	1
26	028795	SCREW SEAL	2
27	134866	SUCTION LINE	1

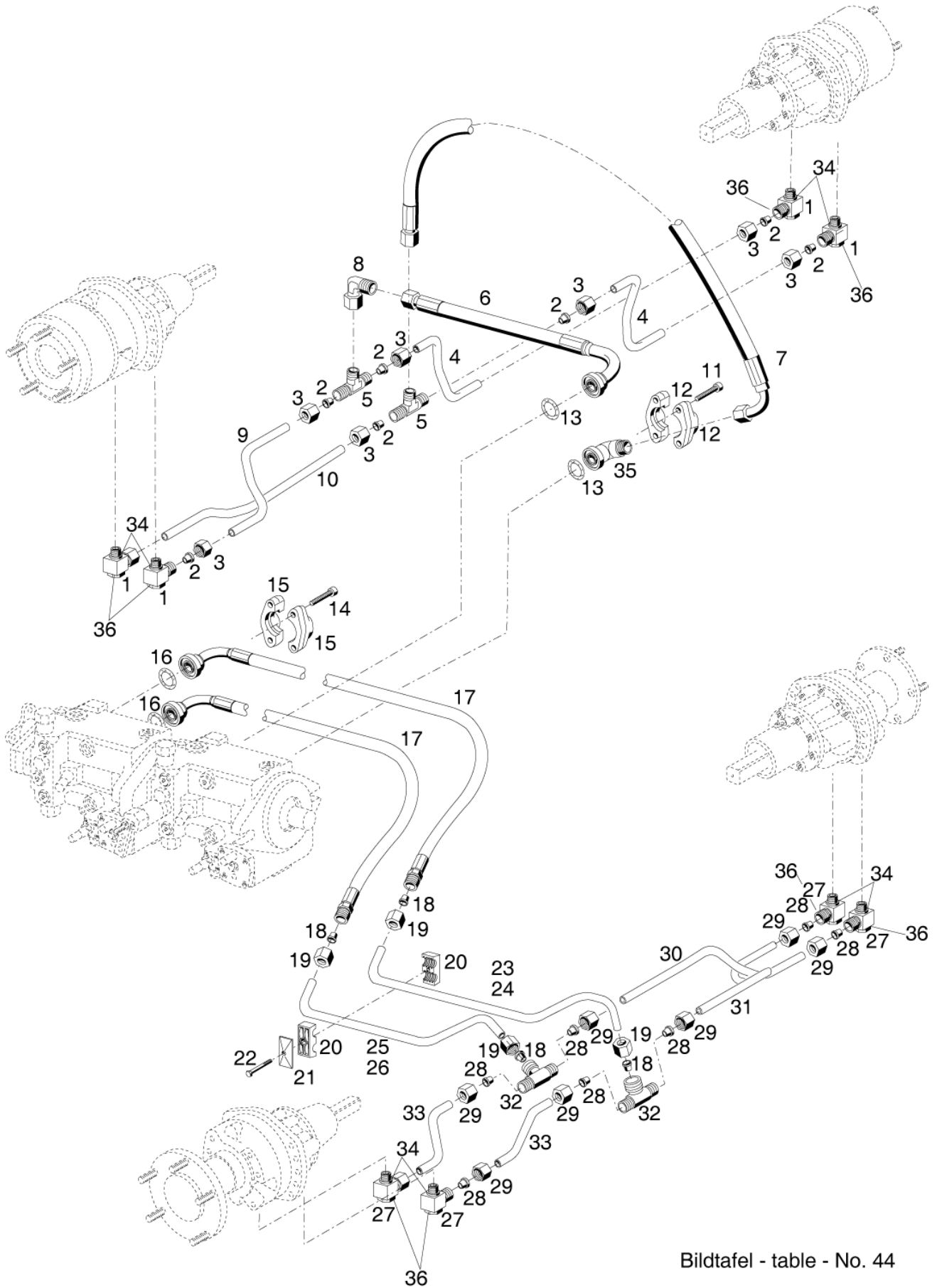


Bildtafel - table - No. 34

Multi-digital-034.ai

21.08.08

Item no.	Article no.	Description	Quantity
2	028603	STRAIGHT SCREW-IN FITTING	1
3	028624	ADJUTABEL ANGEL BRACKET	1
4	028620	ADJUSTABEL L-FITTING	1
14	015752	PROFILE RING	1
15	015727	UNION NUT	1
16	132073	PIPE	2
17	023132	WIRE BAR CLAMP	2
18	026662	+RETURN HOSE	1
18.1	027928	RETURN FLOW HOSE	1
18a	030426	LOW PRESSURE HOSE	1
18a.1	030428	LOW-PRESSURE HOSE (PREASS.) F/L560	1
20	026885	PRESSURE SPRING	2
21	010931	WIRE BAR CLAMP	2
21a	030721	HOSE CLAMP	4
22	028751	+HOSE D7/8" (22.2mm)	1
22a	029557	HOSE	1
23	011037	LOCKING SCREW	2
23a	030909	LOCKING SCREW	2
24	010391	GASKET RING	2
25	027584	HOLLOW SCREW	2
26	028795	SCREW SEAL	4
27	134861	SUCTION LINE	1
28	030722	HOSE CLAMP	2
29	029373	SUCTION HOSE a. 029408	1
30	134869	SUCTION LINE	1
34	010401	GASKET RING	6
35	027917	HOSE NIPPLE WITH SUPPORT	3
36	026647	HOLLOW SCREW	4
37	023132	WIRE BAR CLAMP	3
38	027102	RETURN FLOW HOSE	1
38a	030507	-LOW-PRESSURE HOSE PREASS.	1
39	028624	ADJUTABEL ANGEL BRACKET	1



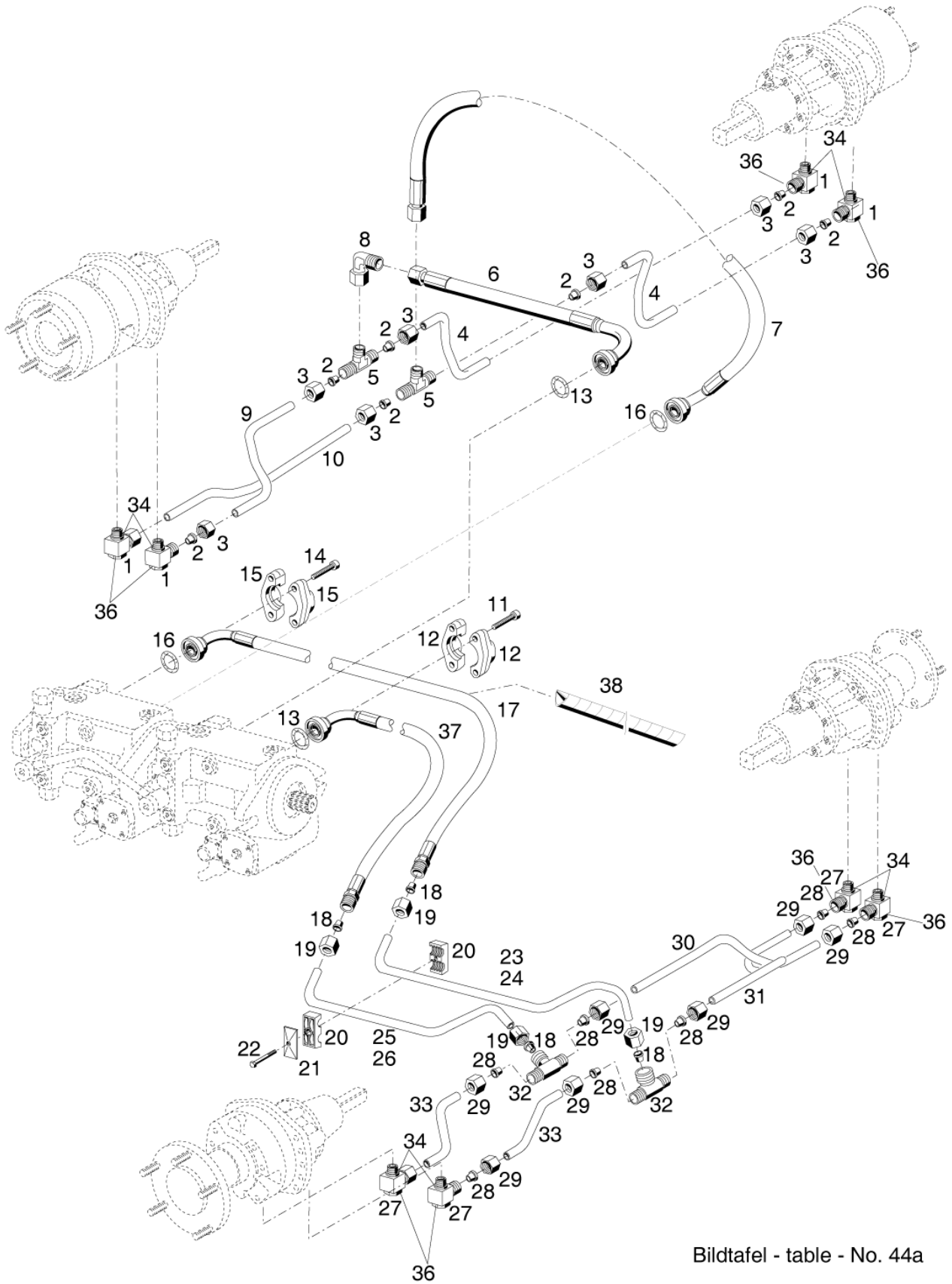
Bildtafel - table - No. 44

Multi-digital-044.ai

07.03.01

Item no.	Article no.	Description	Quantity
1	028583	ANGLE SWING SOCKET	4
2	026488	PROFILE RING	8
3	026487	UNION NUT	8
4	134326	PRESSURE LINE	2
5	028584	T- REDUCER NOZZLE	2
6	028577	-ULTRAHIGH PRESSURE HOSE ASSY.	1
7	028974	EXTREME PRESSURE HOSE	1
8	028701	ADJUTABEL ANGEL BRACKET	1
9	134327	PRESSURE LINE	1
10	134328	PRESSURE LINE	1
11	011059	INNER-6-HEAD SCREW	8
12	028582	SPLIT FLANGE	4
13	023777	O-RING SEAL	3
14	011059	INNER-6-HEAD SCREW	8
15	028582	SPLIT FLANGE	4
16	023777	O-RING SEAL	2
17	028578	EXTREME PRESSURE HOSE	2
18	023797	PROFILE RING	4
19	023796	UNION NUT	4
20	028579	PIPE CLAMP	1
21	028580	COVER PLATE	1
22	011172	6-HEAD SCREW	1
23	135161	PRESSURE LINE	1
24	135067	-PRESSURE LINE LONG C345	1
25	135162	PRESSURE LINE	1
26	135068	-PRESSURE LINE LONG C345	1
27	028583	ANGLE SWING SOCKET	4
28	026488	PROFILE RING	8
29	026487	UNION NUT	8
30	134328	PRESSURE LINE	1
31	134327	PRESSURE LINE	1
32	028584	T- REDUCER NOZZLE	2
33	134326	PRESSURE LINE	2
34	028932	RETAINER WITH RESILIENT JOINTING	8
35	023134	ANGEL FLANGE SCREW CONNECTION	1
36	029547	O-RING SEAL	8

C 245
C 345

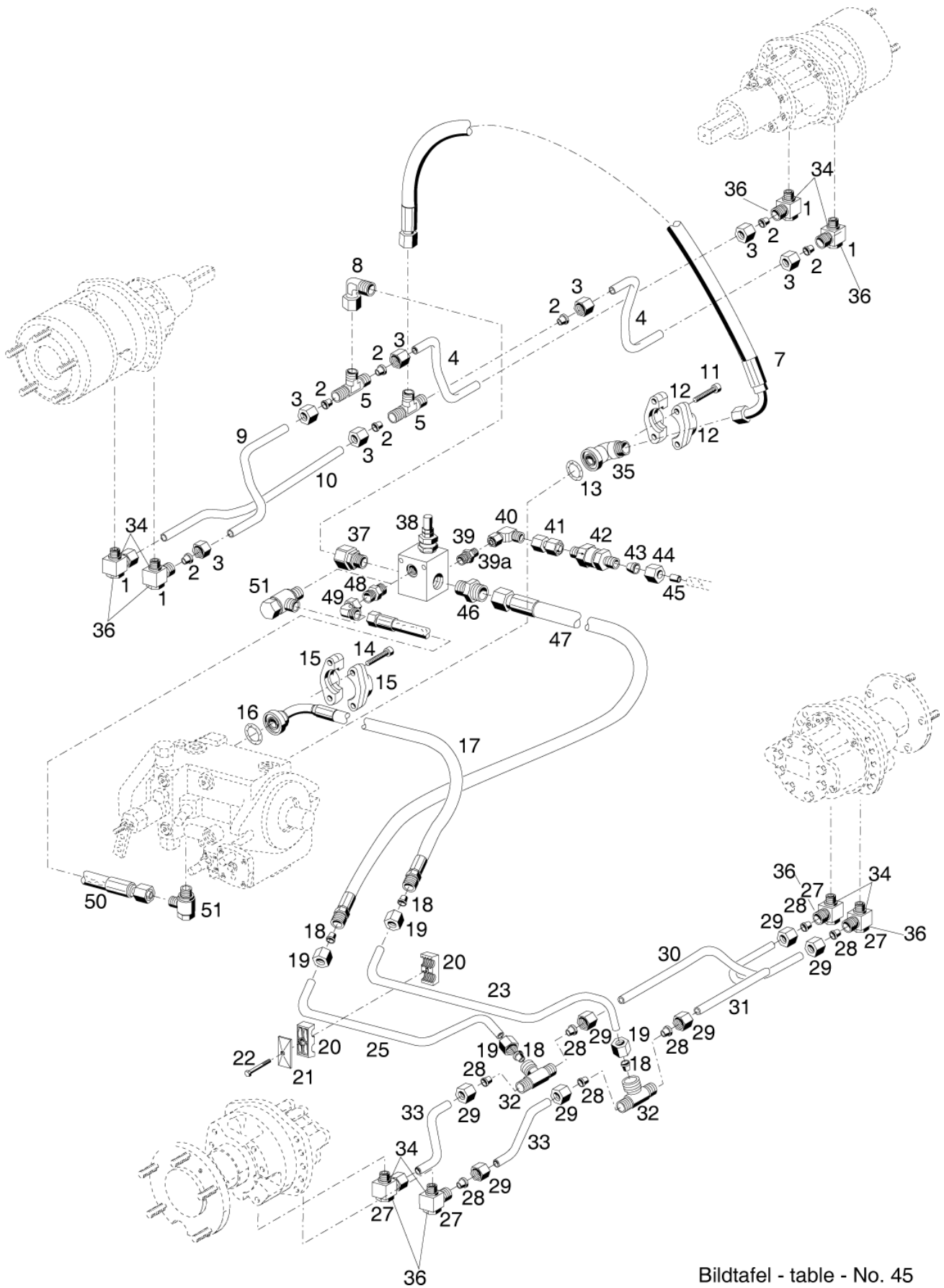


Bildtafel - table - No. 44a

Multi-digital-044a.ai

15.03.2010

Item no.	Article no.	Description	Quantity
1	028583	ANGLE SWING SOCKET	4
2	026488	PROFILE RING	8
3	026487	UNION NUT	8
4	134326	PRESSURE LINE	2
5	028584	T- REDUCER NOZZLE	2
6	028577	-ULTRAHIGH PRESSURE HOSE ASSY.	1
7	029406	ULTRAHIGH PRESSURE HOSE ASSY.	1
8	028701	ADJUTABEL ANGEL BRACKET	1
9	134327	PRESSURE LINE	1
10	134328	PRESSURE LINE	1
11	011059	INNER-6-HEAD SCREW	8
12	028582	SPLIT FLANGE	4
13	023777	O-RING SEAL	2
14	011059	INNER-6-HEAD SCREW	8
15	028582	SPLIT FLANGE	4
16	023777	O-RING SEAL	2
17	028578	EXTREME PRESSURE HOSE	1
18	023797	PROFILE RING	4
19	023796	UNION NUT	4
20	028579	PIPE CLAMP	1
21	028580	COVER PLATE	1
22	011172	6-HEAD SCREW	1
23	135161	PRESSURE LINE	1
24	135067	-PRESSURE LINE LONG C345	1
25	135162	PRESSURE LINE	1
26	135068	-PRESSURE LINE LONG C345	1
27	028583	ANGLE SWING SOCKET	4
28	026488	PROFILE RING	8
29	026487	UNION NUT	8
30	134328	PRESSURE LINE	1
31	134327	PRESSURE LINE	1
32	028584	T- REDUCER NOZZLE	2
33	134326	PRESSURE LINE	2
34	028932	RETAINER WITH RESILIENT JOINTING	8
36	029547	O-RING SEAL	8
37	029405	ULTRAHIGH PRESSURE HOSE ASSY.	1
38	031041	HOSE PROTECTION	1



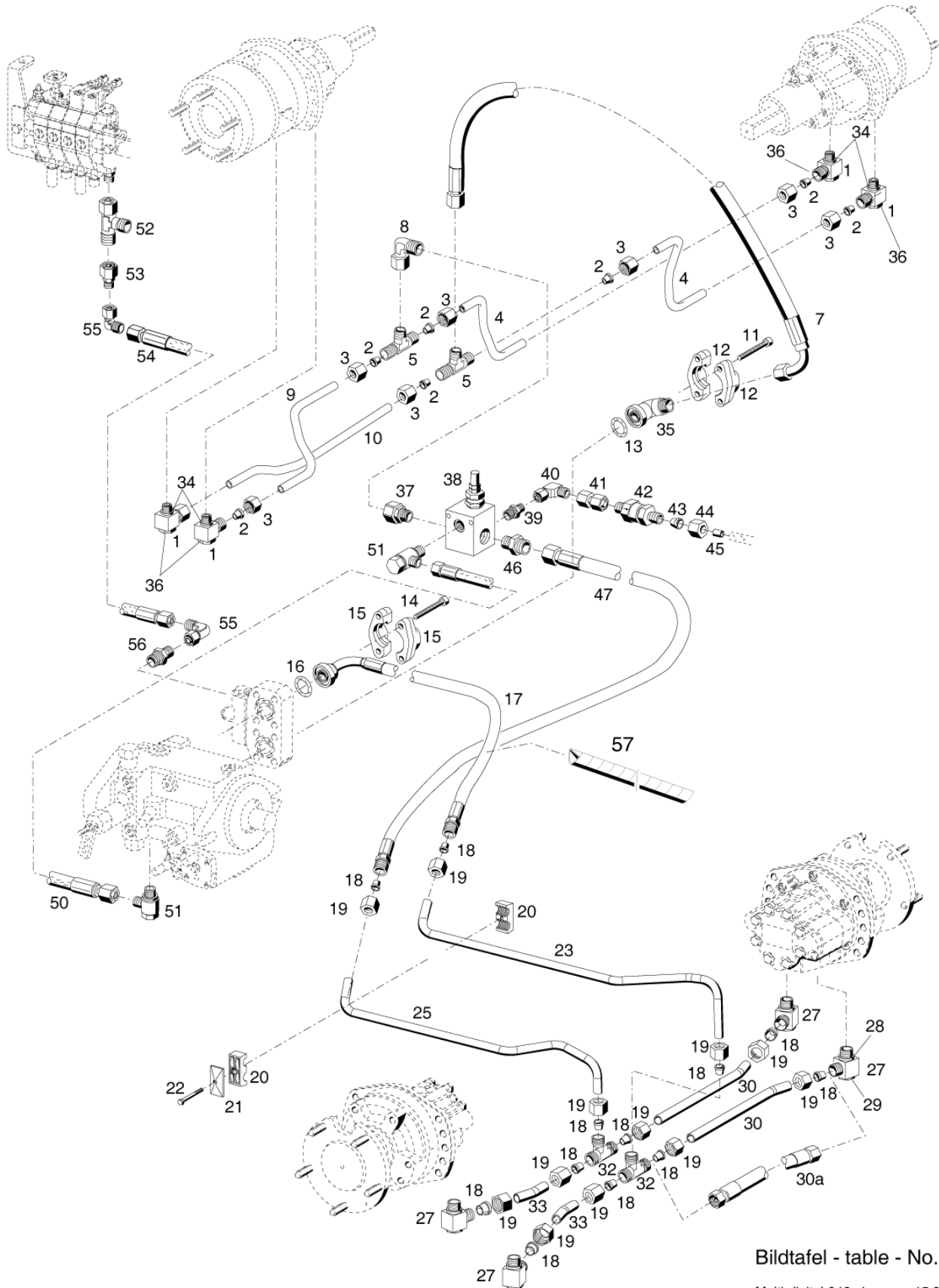
Bildtafel - table - No. 45

Multi-digital-045.ai

07.06.06

Item no.	Article no.	Description	Quantity
1	028583	ANGLE SWING SOCKET	4
2	026488	PROFILE RING	8
3	026487	UNION NUT	8
4	134326	PRESSURE LINE	2
5	028584	T- REDUCER NOZZLE	2
7	028974	EXTREME PRESSURE HOSE	1
8	028701	ADJUTABEL ANGEL BRACKET	1
9	134327	PRESSURE LINE	1
10	134328	PRESSURE LINE	1
11	011059	INNER-6-HEAD SCREW	4
12	028582	SPLIT FLANGE	2
13	023777	O-RING SEAL	1
14	011059	INNER-6-HEAD SCREW	4
15	028582	SPLIT FLANGE	2
16	023777	O-RING SEAL	1
17	029967	EXTREME PRESSURE HOSE	1
18	023797	PROFILE RING	4
19	023796	UNION NUT	4
20	028579	PIPE CLAMP	1
21	028580	COVER PLATE	1
22	011172	6-HEAD SCREW	1
23	135161	PRESSURE LINE	1
25	135162	PRESSURE LINE	1
27	028583	ANGLE SWING SOCKET	4
28	026488	PROFILE RING	8
29	026487	UNION NUT	8
30	134328	PRESSURE LINE	1
31	134327	PRESSURE LINE	1
32	028584	T- REDUCER NOZZLE	2
33	134326	PRESSURE LINE	2
34	028932	RETAINER WITH RESILIENT JOINTING	8
35	023134	ANGEL FLANGE SCREW CONNECTION	1
36	029547	O-RING SEAL	8
37	031018	031018	1
38	030243	PRESSURE RELIEF VALVE	1
39	028607	STRAIGHT SCREW-IN FITTING	1
39a	031166	STRAIGHT SCREW-IN FITTING	1
40	028616	ADJUSTABEL ANGEL BRACKET	1
41	030114	STRAIGHT CONNECTION	1
42	022647	NONRETURN VALVE	1
43	015749	PROFILE RING	1
44	015723	UNION NUT	1
45	026929	SUPPORT SLEEVE	2
46	031019	031019	1
47	030142	EXTREME PRESSURE HOSE	1
48	028602	STRAIGHT SCREW-IN FITTING	1
49	028615	ADJUTABEL ANGEL BRACKET	1
50	019297	HIGH PRESSURE HOSE	1
51	028637	ANGLE SWING SOCKET	2

C 245 BASIC



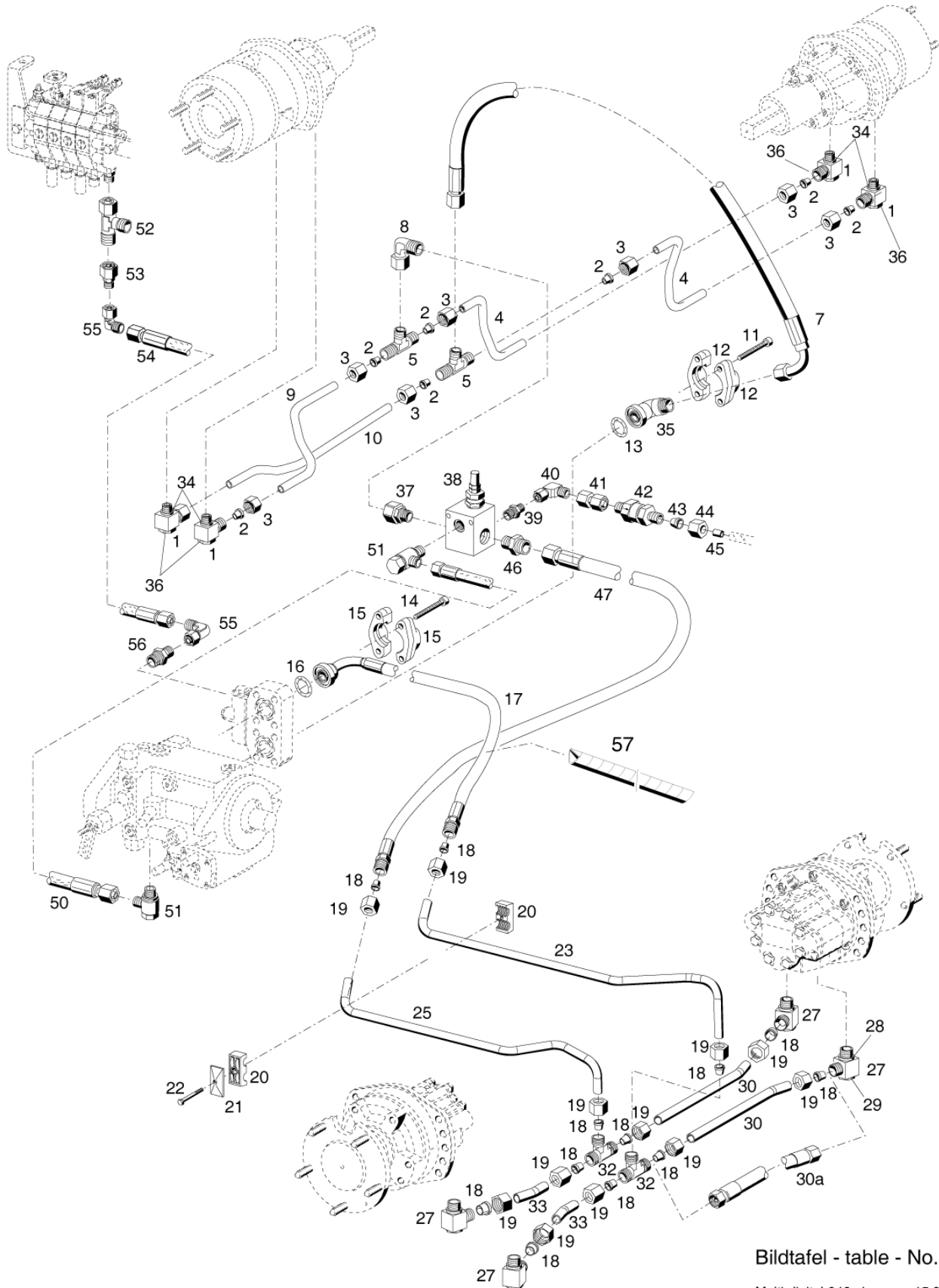
Bildtafel - table - No. 46

Multi-digital-046.ai

15.03.2010

Item no.	Article no.	Description	Quantity
1	028583	ANGLE SWING SOCKET	4
2	026488	PROFILE RING	8
3	026487	UNION NUT	8
4	134326	PRESSURE LINE	2
5	028584	T- REDUCER NOZZLE	2
7	028974	EXTREME PRESSURE HOSE	1
8	028701	ADJUTABEL ANGEL BRACKET	1
9	134327	PRESSURE LINE	1
10	134328	PRESSURE LINE	1
11	011062	INNER-6-HEAD SCREW	4
12	028582	SPLIT FLANGE	2
13	023777	O-RING SEAL	1
14	011062	INNER-6-HEAD SCREW	8
15	028582	SPLIT FLANGE	2
16	023777	O-RING SEAL	1
17	029967	EXTREME PRESSURE HOSE	1
18	023797	PROFILE RING	8
19	023796	UNION NUT	8
20	028579	PIPE CLAMP	1
21	028580	COVER PLATE	1
22	011172	6-HEAD SCREW	1
23	150054	HYDRAULIC LINE REAR AXLE	1
25	150053	HYDRAULIC LINE REAR AXLE	1
27	031271	ANGLE SWING SOCKET	4
28	797819	RETAINER WITH RESILIENT JOINTING	4
29	797818	O-RING SEAL	4
30	150056	150056	2
30a	031382	EXTREME PRESSURE HOSE	2
32	031272	T-NOZZLE	2
33	150055	HYDRAULIC LINE REAR AXLE	2
34	028932	RETAINER WITH RESILIENT JOINTING	4
35	023134	ANGEL FLANGE SCREW CONNECTION	1
36	029547	O-RING SEAL	4
37	031018	031018	1
38	030243	PRESSURE RELIEF VALVE	1
39	031166	STRAIGHT SCREW-IN FITTING	1
40	028616	ADJUSTABEL ANGEL BRACKET	1
41	030114	STRAIGHT CONNECTION	1
42	022647	NONRETURN VALVE	1
43	015749	PROFILE RING	1
44	015723	UNION NUT	1
45	026929	SUPPORT SLEEVE	2
46	031019	031019	1
47	030142	EXTREME PRESSURE HOSE	1
50	019297	HIGH PRESSURE HOSE	1
51	028637	ANGLE SWING SOCKET	2
51a	150164	RETURN LINE FOR FLUSHING VALVE	1
52	028620	ADJUSTABEL L-FITTING	1
53	028619	REDUCING NOZZLE	1
54	023332	HIGH PRESSURE HOSE	1
55	028615	ADJUTABEL ANGEL BRACKET	2

C 245 BASIC



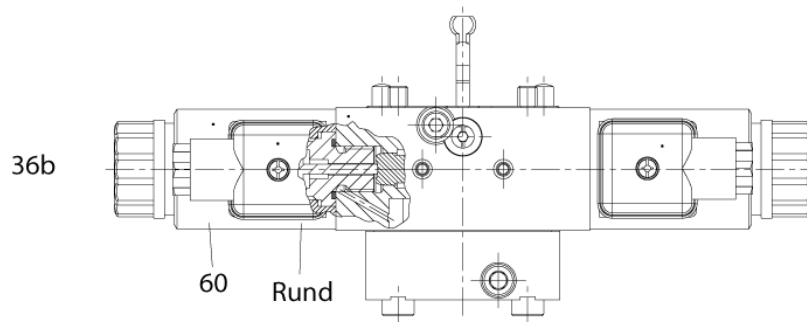
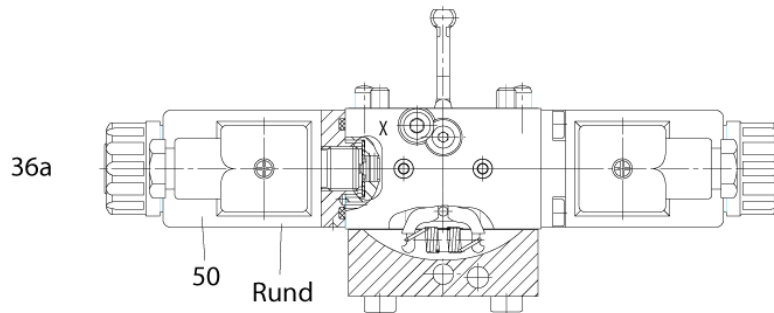
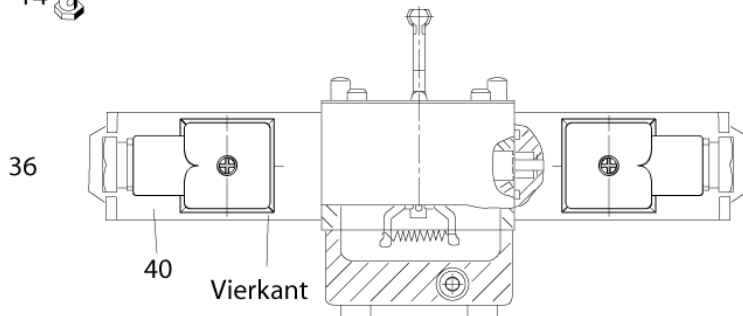
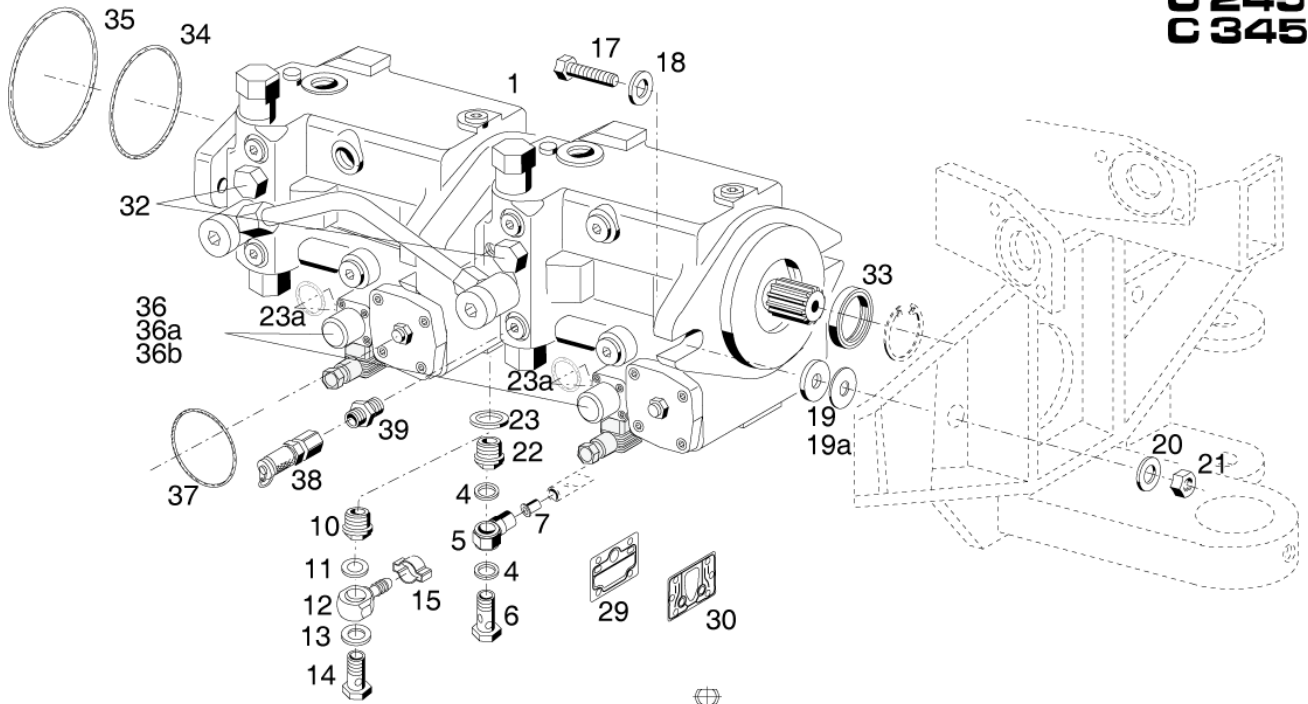
Bildtafel - table - No. 46

Multi-digital-046.ai

15.03.2010

Item no.	Article no.	Description	Quantity
56	029004	STRAIGHT SCREW-IN FITTING	1
57	031041	HOSE PROTECTION	1

**C 245
C 345**

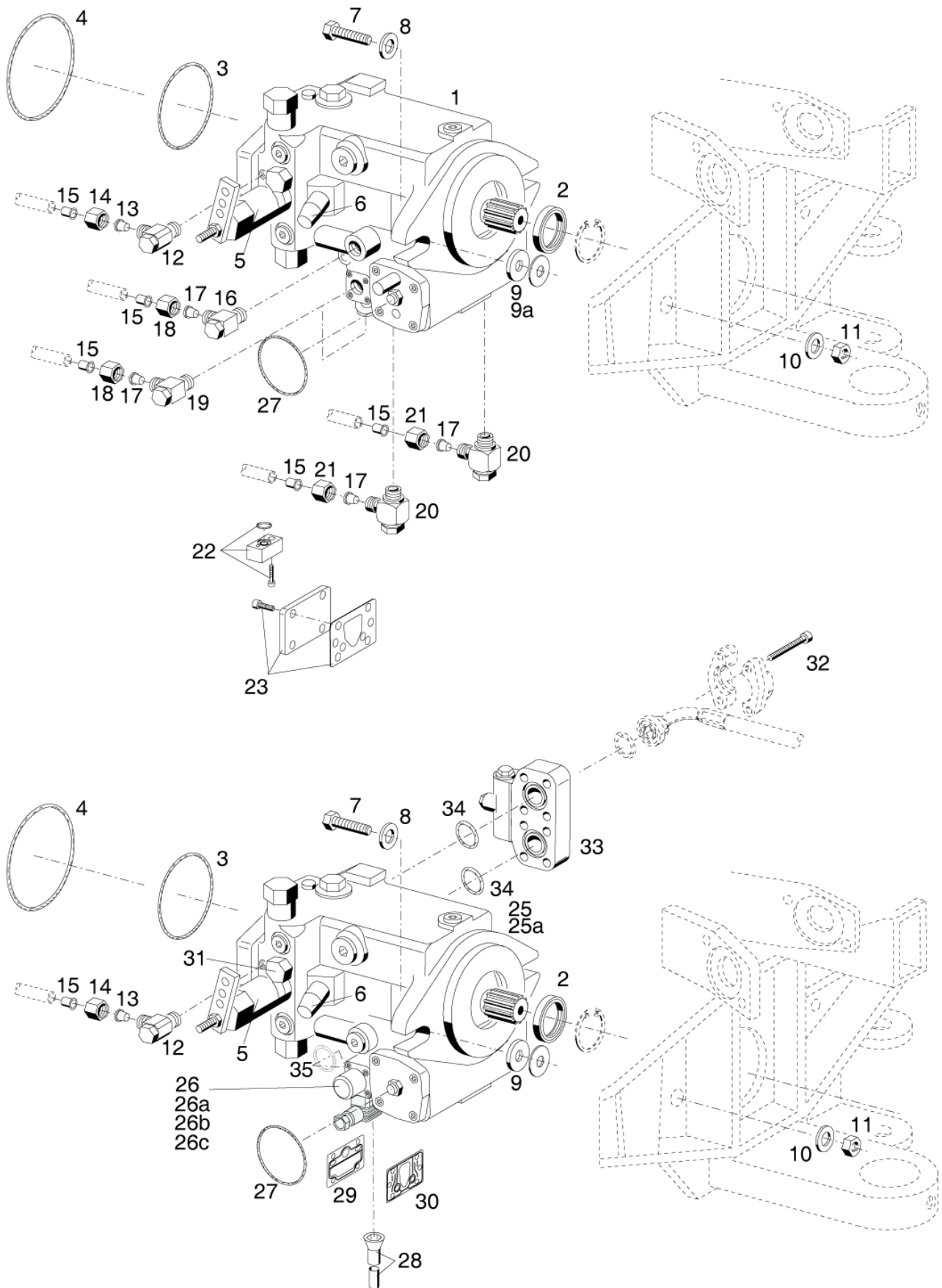


Bildtafel - table - No. 47

Multi-digital-047.ai

23.04.10

Item no.	Article no.	Description	Quantity
1	138038	variable displacement pump	1
4	010387	GASKET RING	2
5	028883	+RING CONNECTION F WELDED FITTING	1
6	028884	+BANJO SCREW F. RING CONNECTION	1
7	026929	SUPPORT SLEEVE	1
10	139254	LOCKING SCREW	1
11	029458	COMPOSITE SEAL WITH CENTERING HOLDER	1
12	029454	RING PIECE	1
13	029457	COMPOSITE SEAL	1
14	029455	HOLLOW SCREW	1
15	020658	HOSE CLAMP	1
17	011114	6-HEAD SCREW	2
18	026576	SPACER SLEEVE	2
19	014878	SHIM	1
19a	028393	ADJUSTING DISC	1
20	010065	SPRING WASHER	2
21	011590	6-HEAD NUT	2
22	136498	+* SCREW PLUG	1
23	010395	GASKET RING	1
23a	014711	O-RING SEAL	4
30	797672	GASKET	1
32	798061	PRESSURE RELIEF VALVE	1
33	790832	SHAFT SEAL	1
34	782140	O-RING	1
35	783816	SEALING RING	1
36	797219	DRIVING UNIT	2
36a	797297	DRIVING UNIT	2
36b	797997	DRIVING UNIT	2
37	797234	O-RING SEAL	2
38	029133	BRASS RING	1
39	028608	STRAIGHT SCREW-IN FITTING	1
40	787466	PROPORTIONAL SOLENOID	2
50	797291	PROPORTIONAL SOLENOID	2
60	797998	PROP.-MAGNET ROUND FOR EP3	2

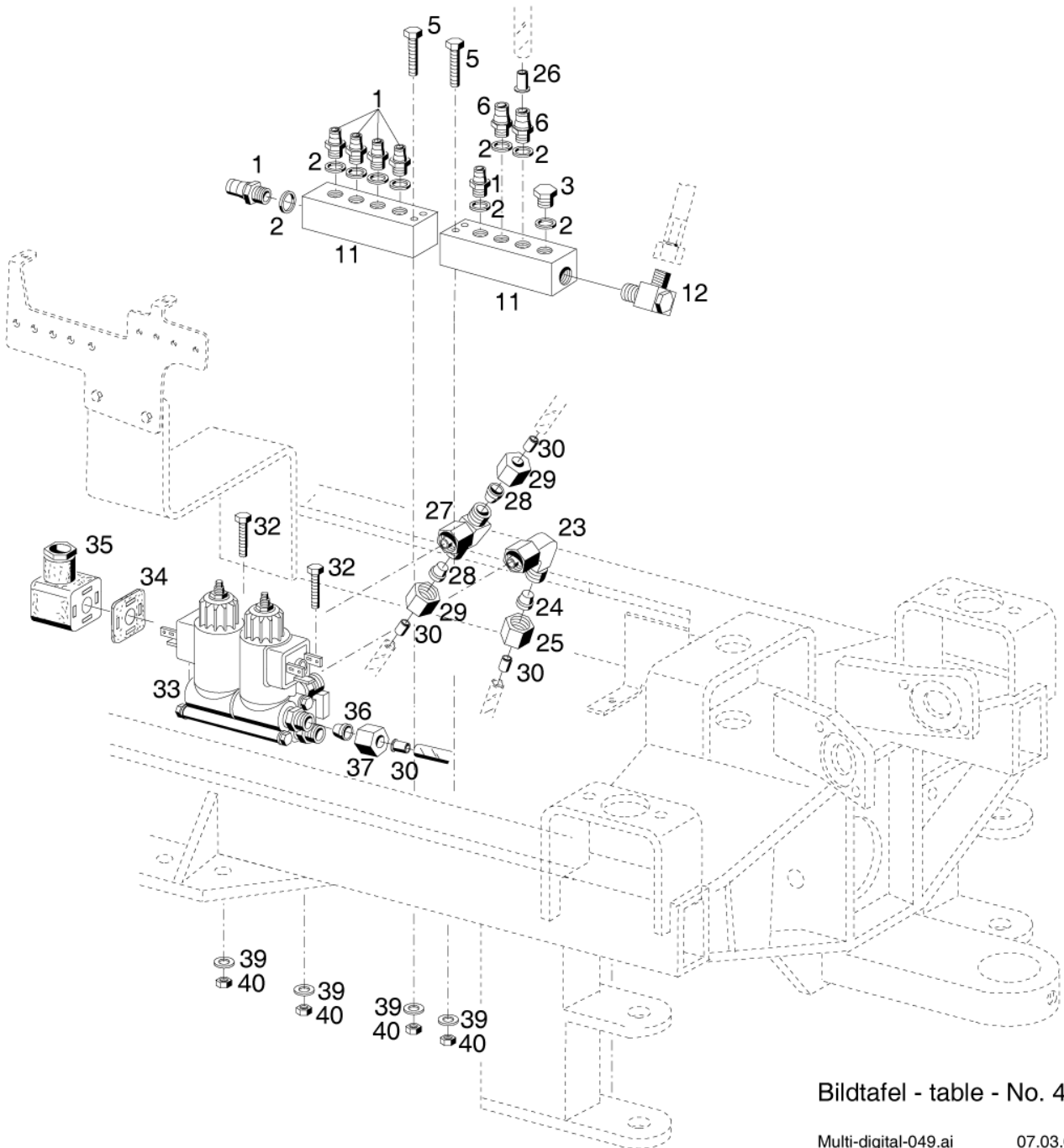


Bildtafel - table - No. 48

Multi-digital-048.ai 23.04.10

Item no.	Article no.	Description	Quantity
1	141700	ADJUSTABLE ACCESSORIES HYDRAULIC PUMP WITH FIXED DRIVE	1
2	790832	SHAFT SEAL	1
3	782140	O-RING	1
4	783816	SEALING RING	1
5	138896	REGULATOR CARTRIDGE	1
6	028997	FUSE CAP ORANGE	1
7	011114	6-HEAD SCREW	2
8	026576	SPACER SLEEVE	2
9	014878	SHIM	2
9a	028393	ADJUSTING DISC	1
10	010065	SPRING WASHER	2
11	011590	6-HEAD NUT	2
12	028599	ANGLE SWING SOCKET	1
13	029488	PROFILE RING	1
14	029011	UNION NUT	1
15	026929	SUPPORT SLEEVE	5
16	028626	ANGLE SWING SOCKET COMPL.	1
17	015749	PROFILE RING	4
18	015728	UNION NUT	2
19	028626	ANGLE SWING SOCKET COMPL.	1
20	028631	ANGLE SWING SOCKET	2
21	015723	UNION NUT	2
22	141698	LOCKING PLATE	1
23	141699	SEALING COVER	1
25	145199	ADJUSTABLE ACCESSORIES HYDRAULIC PUMP	1
25a	150111	ADJUSTABLE ACCESSORIES HYDRAULIC PUMP	1
26	797219	DRIVING UNIT	2
26a	787466	PROPORTIONAL SOLENOID	2
26b	797297	DRIVING UNIT	2
26c	797291	PROPORTIONAL SOLENOID	2
27	797234	O-RING SEAL	2
28	030640	030640	1
29	797673	GASKET	1
30	797672	GASKET	1
31	798061	PRESSURE RELIEF VALVE	1
32	011062	INNER-6-HEAD SCREW	8
33	150075	FLUSH- AND SPEISED RUCKVENTIL WITH SCREW	1
34	797820	O-RING	2
35	014711	O-RING SEAL	2

Item no.	Article no.	Description	Quantity
390	800717	KIT FOR LOW PRESSURE HYDRAULIC SYSTEM, TILL 30.09.99	1
400	800718	KIT FOR LOW PRESSURE HYDRAULIC SYSTEM, AS OF 01.10.99	1
410	800719	LOW PRESSURE HOSE FOR FOUR-WHEEL DRIVE	1
420	800720	LOW PRESSURE HOSE FOR SUMMERPARK	1
430	800721	LOW PRESSURE HOSE FOR SUMMERPARK WITH ROCKER PEDAL	1
440	800722	LOW PRESSURE HOSE FOR BASIC	1

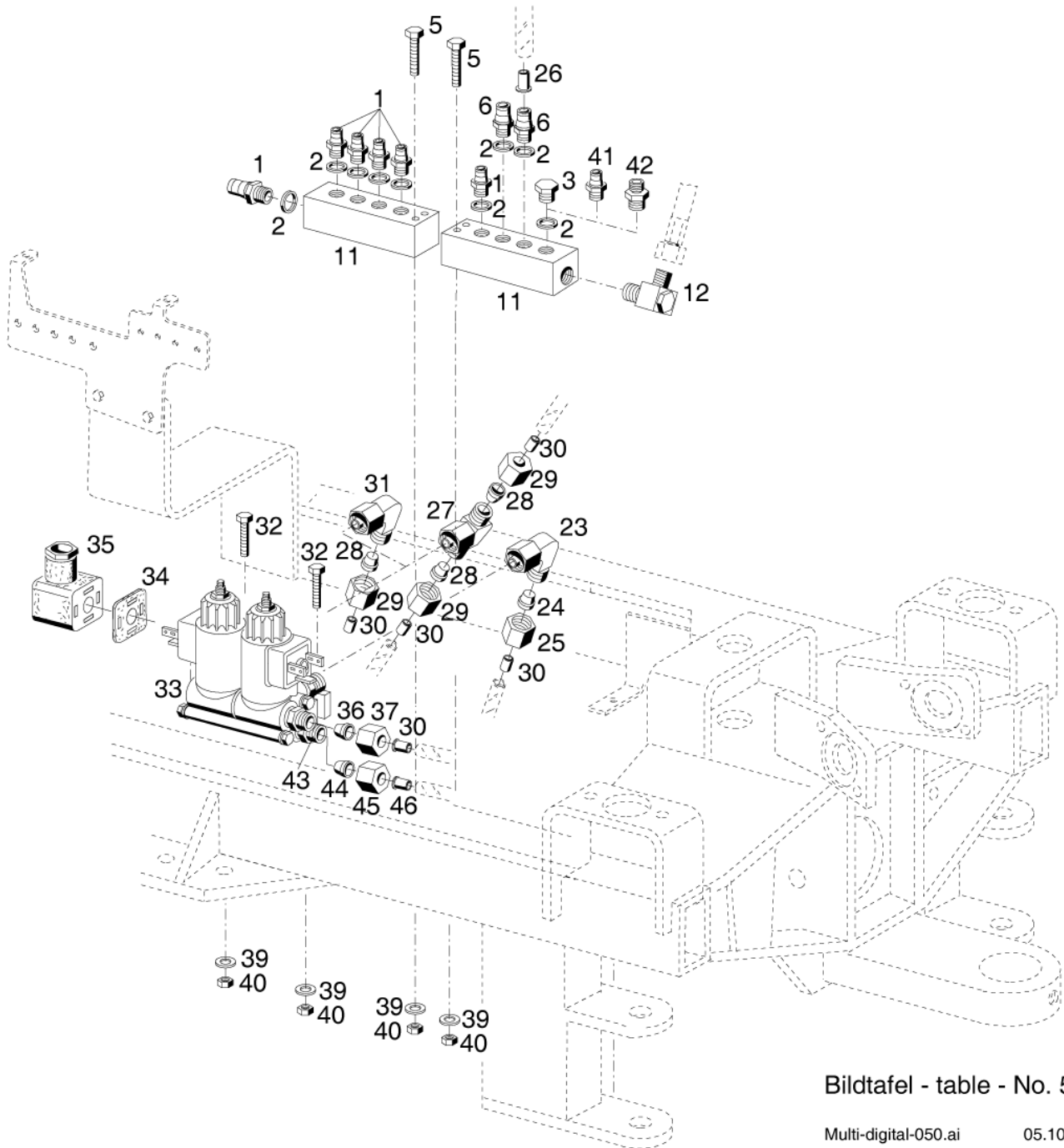


Bildtafel - table - No. 49

Multi-digital-049.ai

07.03.01

Item no.	Article no.	Description	Quantity
1	028567	STRAIGHT SCREW IN UNION	6
2	010392	GASKET RING	7
3	011035	LOCKING SCREW	1
5	011162	6-HEAD SCREW	4
6	028568	STRAIGHT SCREW IN UNION	2
11	134881	COLLECTING BAR	2
12	028628	ANGLE SWING SOCKET	1
23	028616	ADJUSTABEL ANGEL BRACKET	1
24	015749	PROFILE RING	1
25	015723	UNION NUT	1
26	028979	SUPPORT SLEEVE	8
27	028623	ADJUSTABEL T-FITTING	1
28	015749	PROFILE RING	2
29	015723	UNION NUT	2
30	026929	SUPPORT SLEEVE	38
32	024273	6-HEAD SCREW	2
33	028657	VALVE	1
34	128432	GASKET	2
35	126318	CONNECTER 3-POLE	2
36	015749	PROFILE RING	2
37	015723	UNION NUT	2
39	011742	SPRING WASHER	6
40	011577	6-HEAD NUT	6

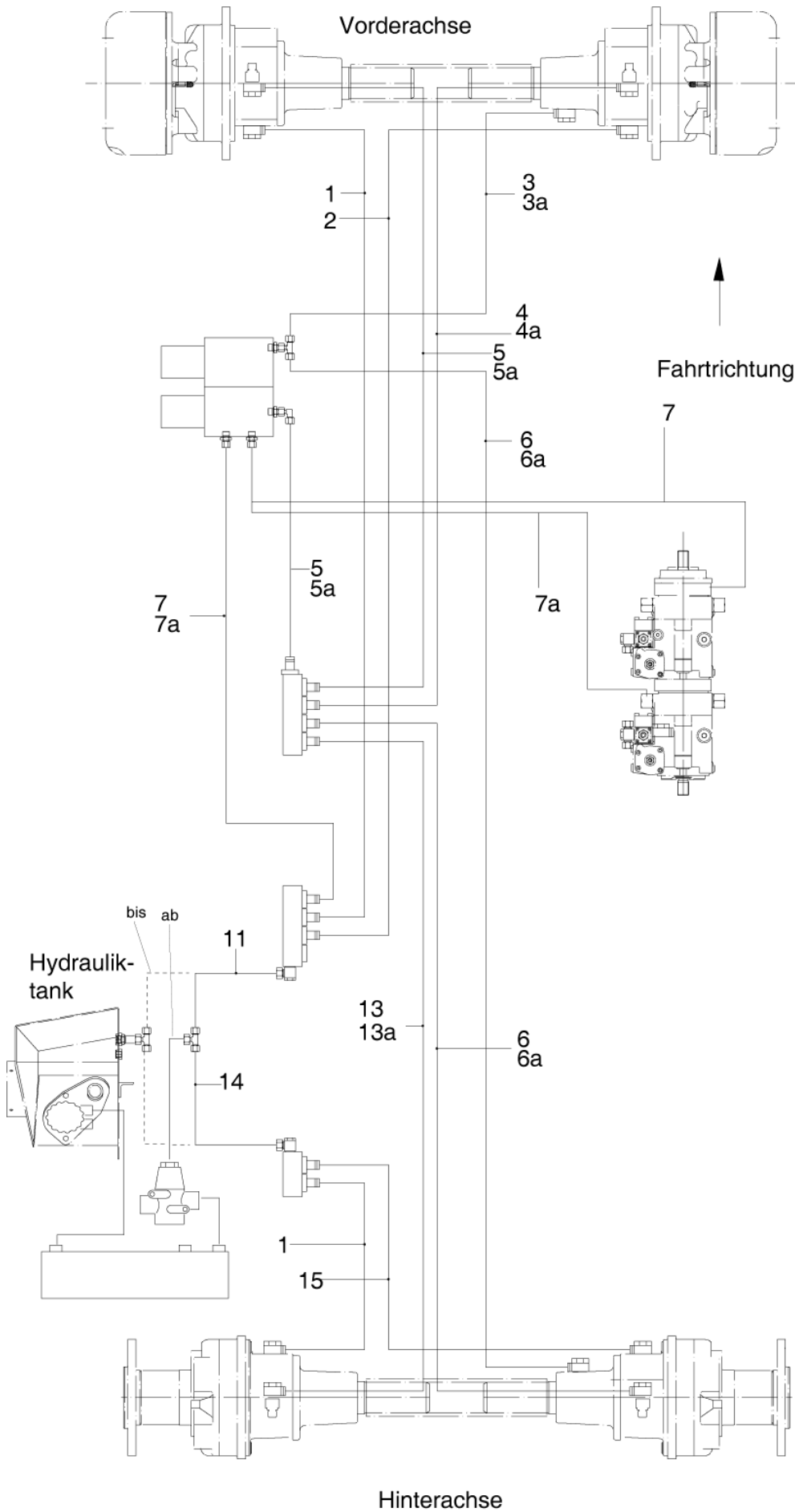


Bildtafel - table - No. 50

Multi-digital-050.ai

05.10.04

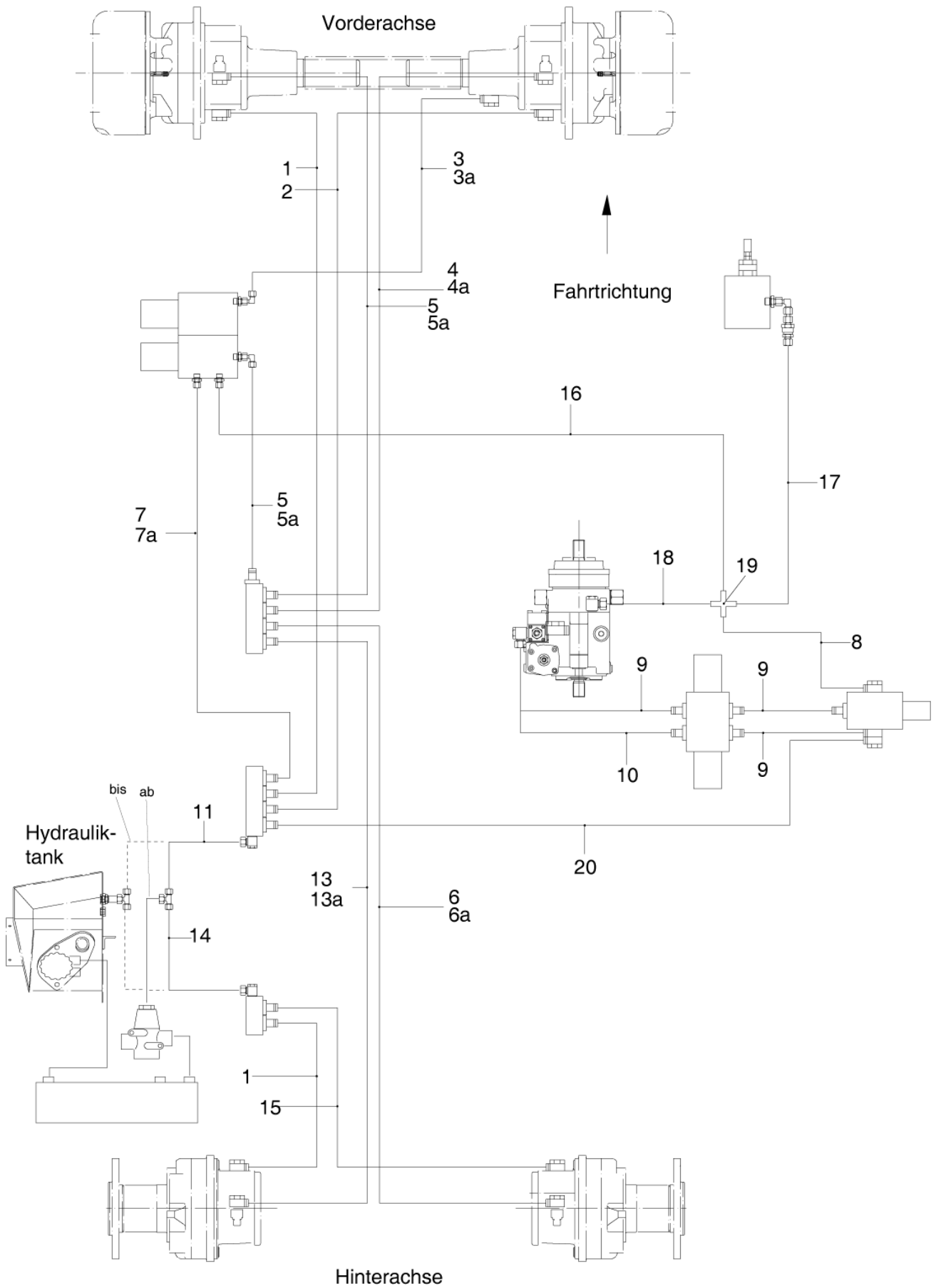
Item no.	Article no.	Description	Quantity
1	028568	STRAIGHT SCREW IN UNION	6
2	010392	GASKET RING	9
3	011035	LOCKING SCREW	1
5	011162	6-HEAD SCREW	4
6	028568	STRAIGHT SCREW IN UNION	2
11	134881	COLLECTING BAR	2
12	028628	ANGLE SWING SOCKET	1
23	029460	ADJUSTABEL ANGEL SCREW CONNECTION	1
24	029527	PROFILE RING	1
25	029526	UNION NUT	1
26	028979	SUPPORT SLEEVE	8
27	029461	ADJUSTABEL T-SCREW CONNECTION	1
28	029527	PROFILE RING	2
29	029526	UNION NUT	2
30	028979	SUPPORT SLEEVE	2
31	029460	ADJUSTABEL ANGEL SCREW CONNECTION	1
32	024273	6-HEAD SCREW	2
33	029459	LOW PRESSURE VALVE BLOCK	1
34	128432	GASKET	2
35	126318	CONNECTER 3-POLE	2
36	029527	PROFILE RING	2
37	029526	UNION NUT	2
39	011742	SPRING WASHER	6
40	011577	6-HEAD NUT	6
41	028567	STRAIGHT SCREW IN UNION	1
42	028609	STRAIGHT SCREW-IN FITTING	1
43	028608	STRAIGHT SCREW-IN FITTING	1
44	015749	PROFILE RING	1
45	015723	UNION NUT	1
46	026929	SUPPORT SLEEVE	1



Bildtafel table No. 52

Multi-digital-052.ai 13.06.06

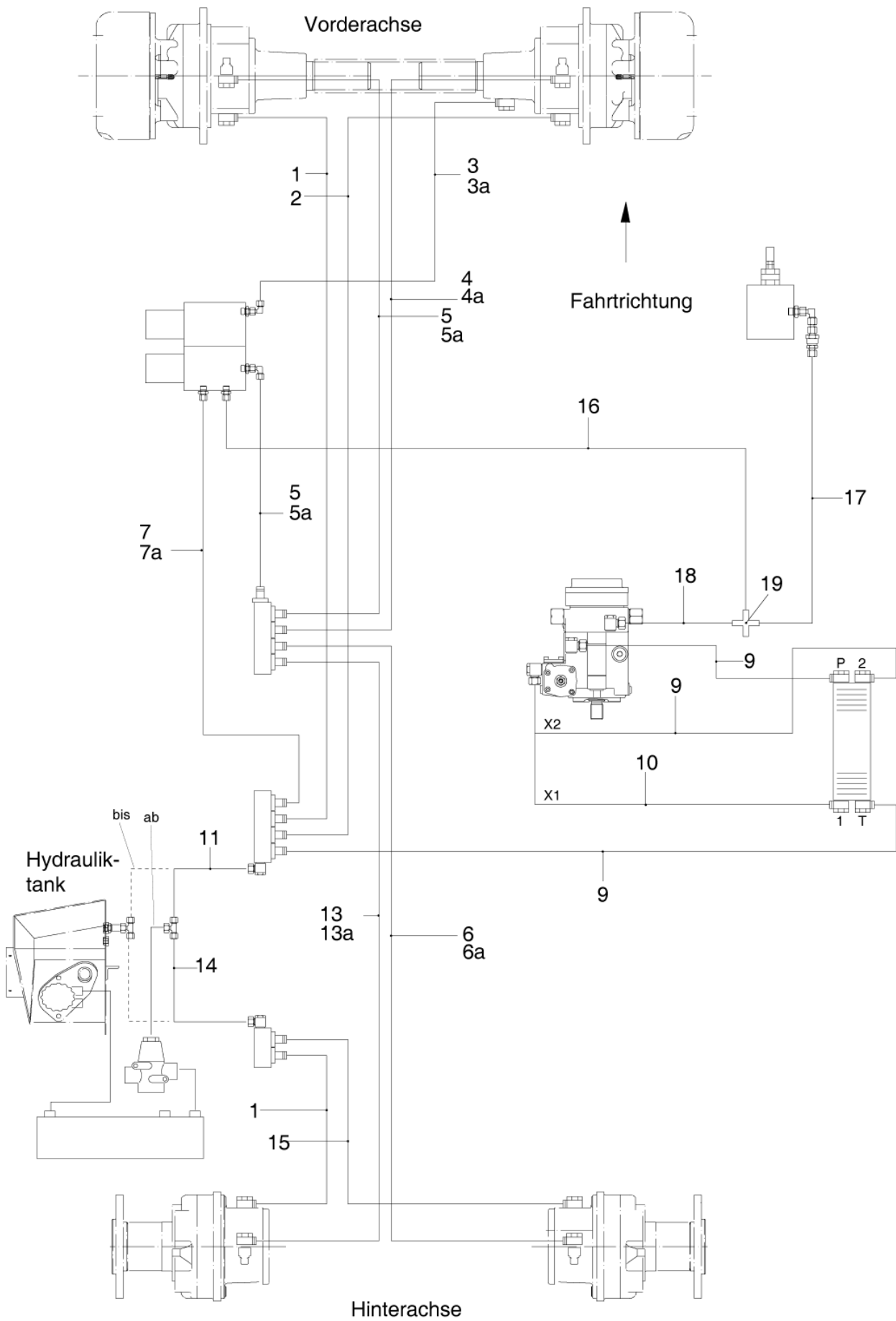
Item no.	Article no.	Description	Quantity
1	028708	PRESSURE PIPE	2
2	028707	PRESSURE PIPE	1
3	028711	PRESSURE TUBE	1
3a	028712	Pressure pipe	1
4	028709	PRESSURE TUBE	1
4a	029463	PRESSURE PIPE	1
5	028710	PRESSURE PIPE	2
5a	029462	PRESSURE PIPE	2
6	028714	+PRESSURE PIPE	2
6a	029465	PRESSURE PIPE	2
7	026928	PRESSURE PIPE	2
7a	029464	PRESSURE PIPE	2
11	021945	HIGH PRESSURE HOSE	1
13	028715	+PRESSURE PIPE	1
13a	029466	PRESSURE PIPE	1
14	135436	PIPE	1
14a	015725	UNION NUT	1
14b	015751	PROFILE RING	1
15	028712	Pressure pipe	1



Bildtafel table No. 53

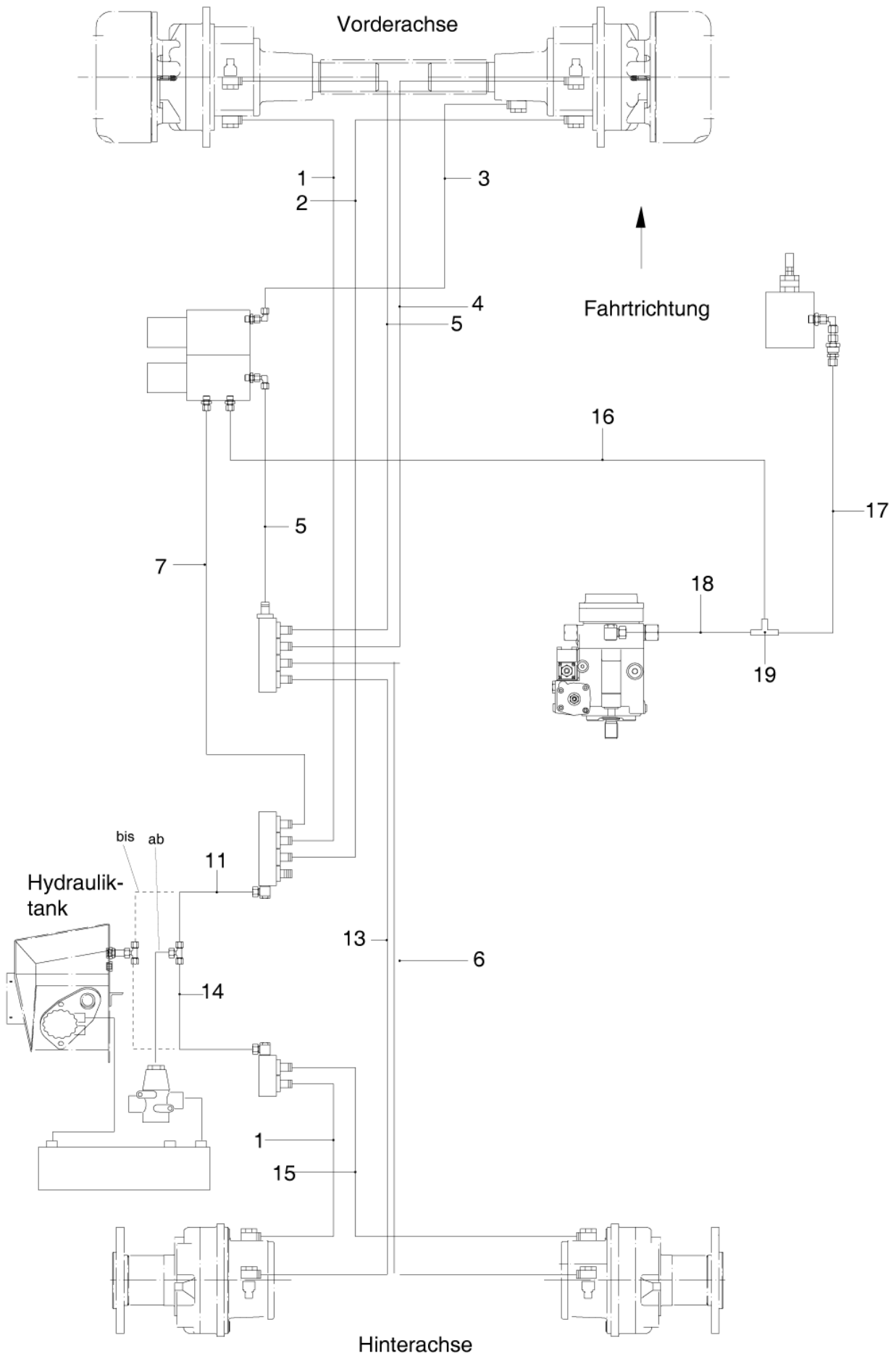
Multi-digital-053.ai 12.06.06

Item no.	Article no.	Description	Quantity
1	028708	PRESSURE PIPE	2
2	028707	PRESSURE PIPE	1
3	028711	PRESSURE TUBE	1
3a	028712	Pressure pipe	1
4	028709	PRESSURE TUBE	1
4a	029463	PRESSURE PIPE	1
5	028710	PRESSURE PIPE	2
5a	029462	PRESSURE PIPE	2
6	028714	+PRESSURE PIPE	1
6a	029465	PRESSURE PIPE	1
7	026928	PRESSURE PIPE	2
7a	029464	PRESSURE PIPE	2
8	026924	PRESSURE PIPE	1
9	028716	PRESSURE PIPE	3
10	028719	PRESSURE PIPE	1
11	021945	HIGH PRESSURE HOSE	1
13	028715	+PRESSURE PIPE	1
13a	029466	PRESSURE PIPE	1
14	135436	PIPE	1
14a	015725	UNION NUT	1
14b	015751	PROFILE RING	1
15	028712	Pressure pipe	1
16	028355	+PRESSURE PIPE	1
17	026928	PRESSURE PIPE	2
18	029012	PRESSURE PIPE	1
19	027298	027298	1
20	028711	PRESSURE TUBE	1



Bildtafel table No. 53a

Item no.	Article no.	Description	Quantity
1	028708	PRESSURE PIPE	2
2	028707	PRESSURE PIPE	1
3	028711	PRESSURE TUBE	1
3a	028712	Pressure pipe	1
4	028709	PRESSURE TUBE	1
4a	029463	PRESSURE PIPE	1
5	028710	PRESSURE PIPE	2
5a	029462	PRESSURE PIPE	2
6	028714	+PRESSURE PIPE	1
6a	029465	PRESSURE PIPE	1
7	026928	PRESSURE PIPE	2
7a	029464	PRESSURE PIPE	2
9	028715	+PRESSURE PIPE	3
10	028714	+PRESSURE PIPE	1
11	021945	HIGH PRESSURE HOSE	1
13	028715	+PRESSURE PIPE	1
13a	029466	PRESSURE PIPE	1
14	135436	PIPE	1
14a	015725	UNION NUT	1
14b	015751	PROFILE RING	1
15	028712	Pressure pipe	1
16	028355	+PRESSURE PIPE	1
17	026928	PRESSURE PIPE	1
18	029012	PRESSURE PIPE	1
19	027298	027298	1

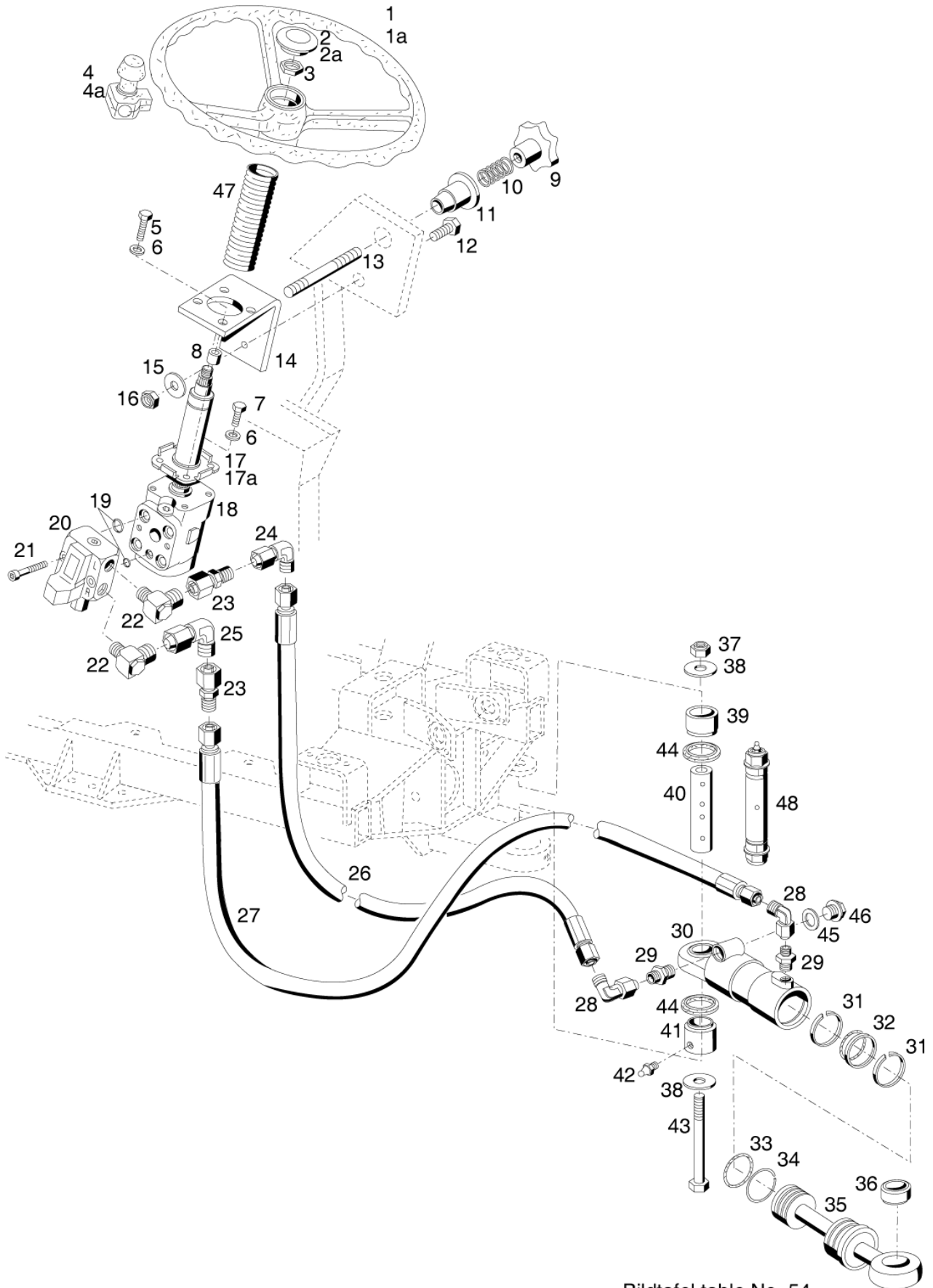


Bildtafel table No. 53b

Multi-digital-053b.ai 15.10.03

Item no.	Article no.	Description	Quantity
1	028708	PRESSURE PIPE	2
2	028707	PRESSURE PIPE	1
3	028712	Pressure pipe	1
4	029463	PRESSURE PIPE	1
5	029462	PRESSURE PIPE	2
6	029465	PRESSURE PIPE	1
7	029464	PRESSURE PIPE	2
11	021945	HIGH PRESSURE HOSE	1
13	029466	PRESSURE PIPE	1
14	135436	PIPE	1
14a	015725	UNION NUT	1
14b	015751	PROFILE RING	1
15	028712	Pressure pipe	1
16	026928	PRESSURE PIPE	1
17	029388	PRESSURE PIPE	1
18	027081	PRESSURE PIPE	1
19	027297	T-NOZZLE	1
19a	015749	PROFILE RING	3
19b	015723	UNION NUT	3

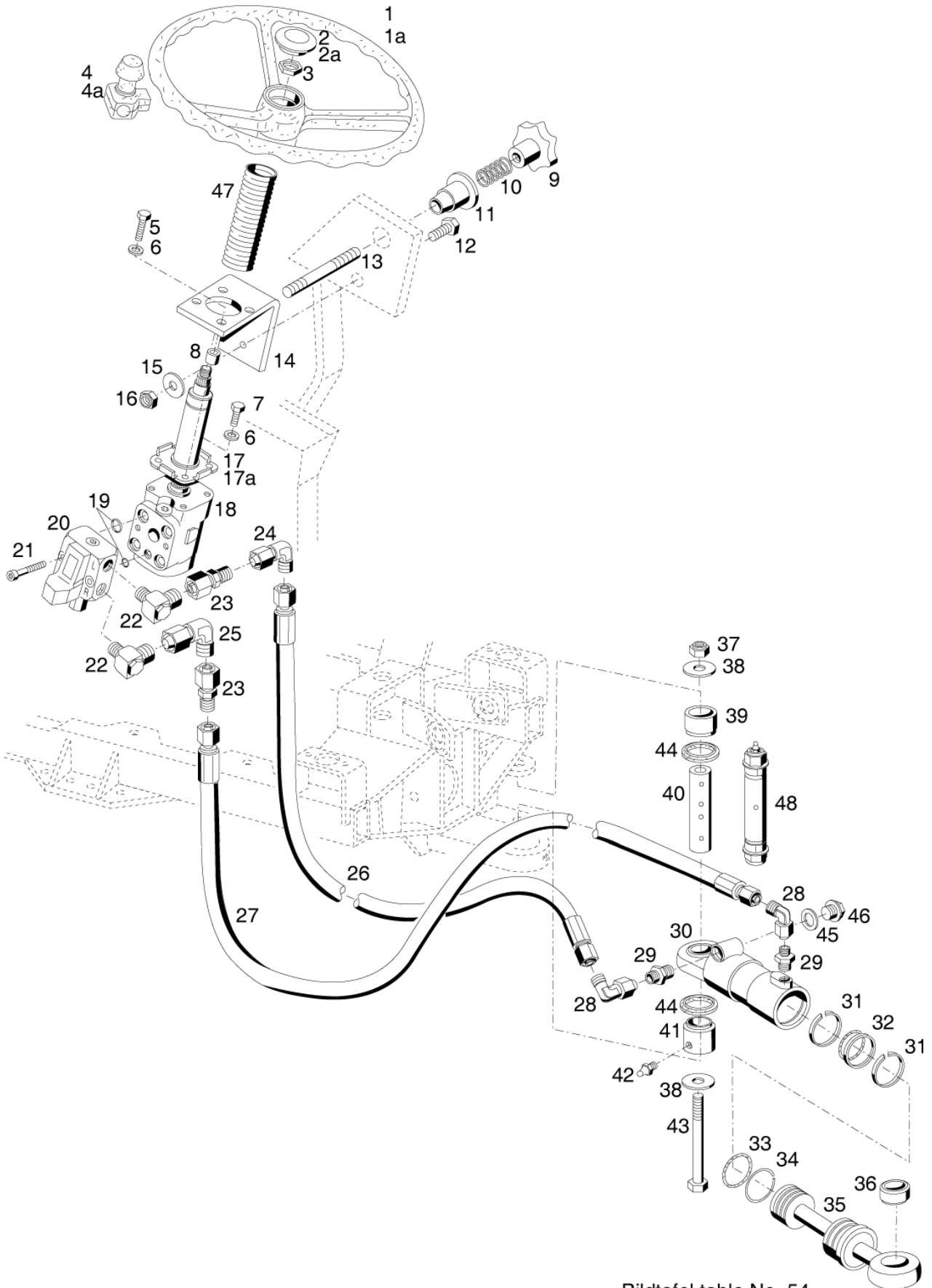
Item no.	Article no.	Description	Quantity
450	800724	STEERING WHEEL, STEERING, STEERING CYLINDER, C200	1
460	800725	STEERING WHEEL, STEERING, STEERING CYLINDER, C300	1
470	800726	STEERING, DANFOSS,OSPC 50 LS; OSPC 100 LS	1
480	800727	ENTRACE PANEL, CONTROL UNIT	1
490	800728	EXTRA CONTROL UNIT, PLUG-IN CLUTCH FRONT	1
500	800729	PLUG-IN CLUTCH, ADAPTER	1



Bildtafel table No. 54

Multi-digital-054.ai 26.11.09

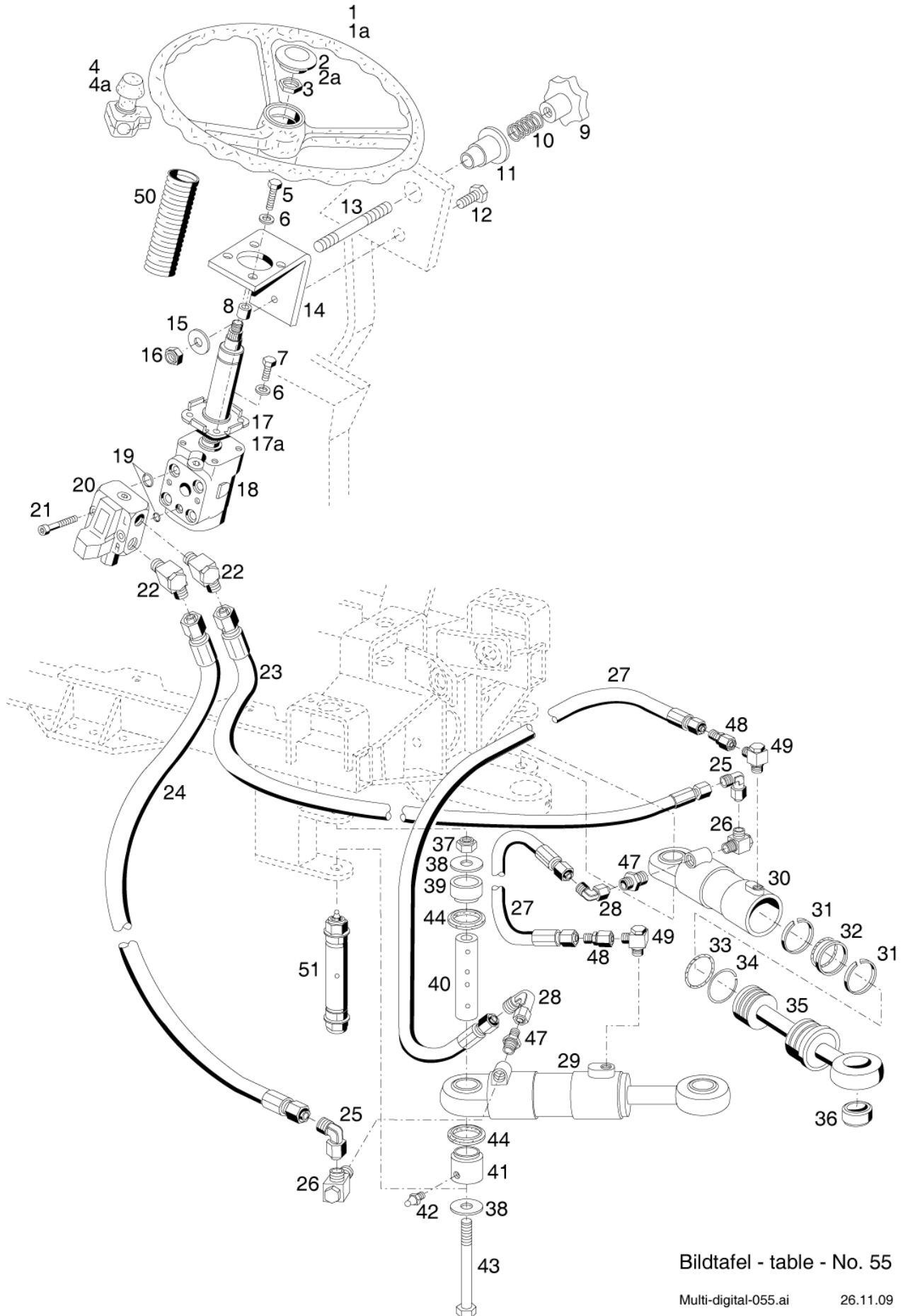
Item no.	Article no.	Description	Quantity
1	118729	STEERING WHEEL	1
1a	153257	STEERING WHEEL	1
2	108528	SEALING CAP	1
2a	153258	SEALING CAP FOR STEERING WHEEL	1
3	010102	6-HEAD NUT	1
4	022589	TWIST GRIP	1
4a	153259	TURNING HANDLE FOR STEERING WHEEL	1
5	011102	6-HEAD SCREW	3
6	010064	SPRING WASHER	4
7	011525	6-HEAD SCREW	1
8	014281	PIPE	3
9	028530	TILT STAR HANDLE	1
10	013654	PRESSURE SPRING	1
11	028396	FORKED SLEEVE	1
12	011530	6-HEAD SCREW	1
13	028397	STUD SCREW	1
14	134154	STEERING RACK	1
15	025055	SHIM	1
16	011685	6-HEAD NUT	1
17	131631	STEERING COLUMN	1
17a	122419	STEERING COLUMN	1
18	123008	STEERING UNIT	1
19	783726	GASKET KIT	1
20	119026	VALVE BLOCK	1
21	795964	INNER-6-HEAD SCREW	2
22	028628	ANGLE SWING SOCKET	2
23	028618	REDUCING NOZZLE	2
24	028616	ADJUSTABEL ANGEL BRACKET	1
25	028615	ADJUTABEL ANGEL BRACKET	1
26	025369	HIGH PRESSURE HOSE	1
27	019291	HIGH PRESSURE HOSE	1
28	028616	ADJUSTABEL ANGEL BRACKET	2
29	028607	STRAIGHT SCREW-IN FITTING	2
29a	128500	HYDRO CYLINDER	1
29b	110187	GASKET KIT	1
30	784840	CYLINDER	1
31	799022	GUIDE RING	2
32	799023	TURCON GLYD RING	1
33	799024	O-RING SEAL	1
34	781751	SNAP RING	1
35	786669	PISTON ROD	1
36	782027	HINGE BEARING	4
37	011687	6-HEAD NUT	2
38	023415	SHIM	4
39	134269	SPACER TUBE	2
40	134267	STEERING BOLT	2
41	134268	SPACER TUBE	2
42	010491	LUBRICATING NIPPLE	2
43	011192	6-HEAD SCREW	2
44	010996	FLAT SEAL RING	4
45	010392	GASKET RING	1



Bildtafel table No. 54

Multi-digital-054.ai 26.11.09

Item no.	Article no.	Description	Quantity
46	011861	LOCKING SCREW	1
47	029562	HOSE	1
48	151939	BOLT	2

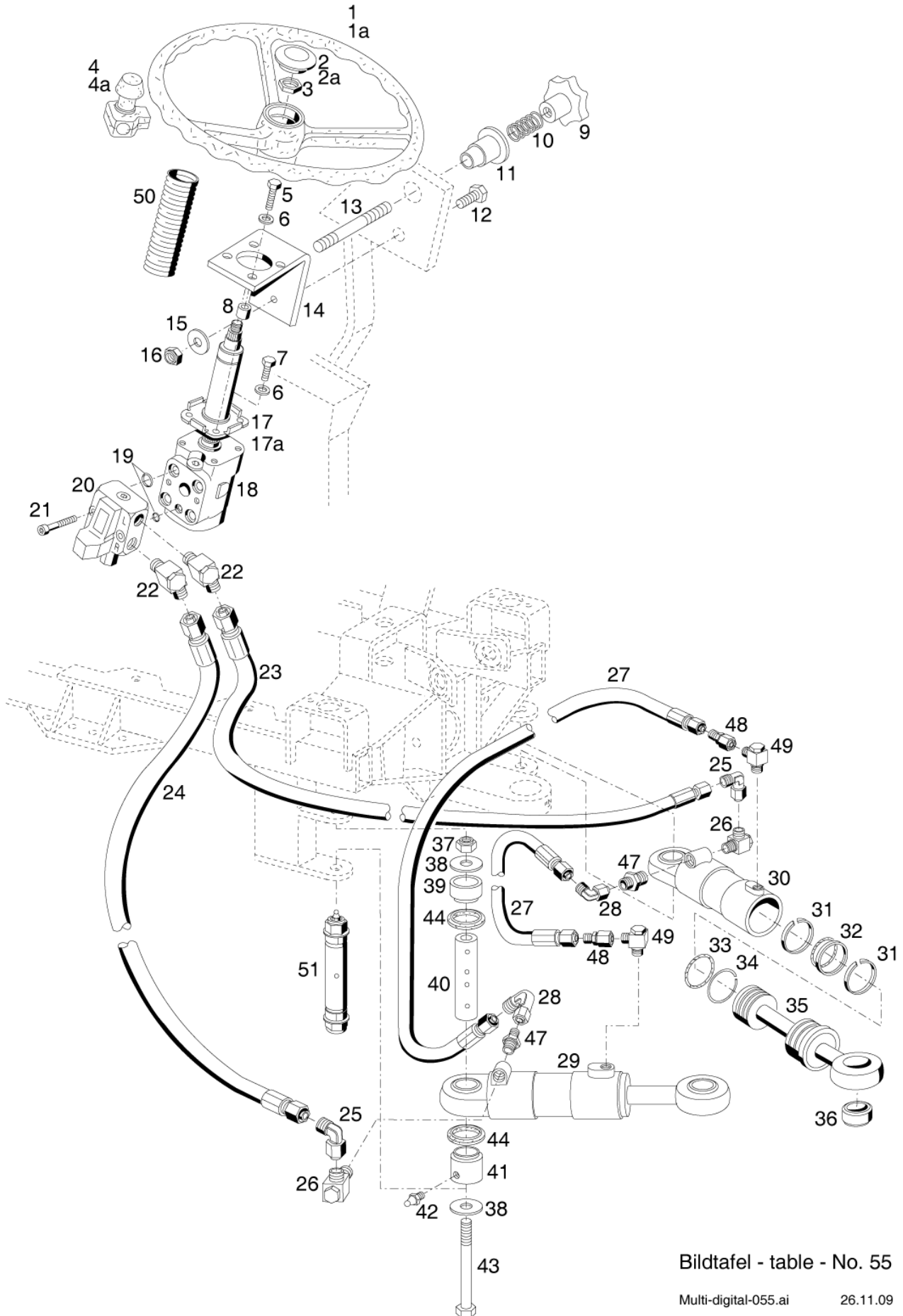


Bildtafel - table - No. 55

Multi-digital-055.ai

26.11.09

Item no.	Article no.	Description	Quantity
1	118729	STEERING WHEEL	1
1a	153257	STEERING WHEEL	1
2	108528	SEALING CAP	1
2a	153258	SEALING CAP FOR STEERING WHEEL	1
3	010102	6-HEAD NUT	1
4	022589	TWIST GRIP	1
4a	153259	TURNING HANDLE FOR STEERING WHEEL	1
5	011102	6-HEAD SCREW	3
6	010064	SPRING WASHER	4
7	011525	6-HEAD SCREW	1
8	014281	PIPE	3
9	028530	TILT STAR HANDLE	1
10	013654	PRESSURE SPRING	1
11	028396	FORKED SLEEVE	1
12	011530	6-HEAD SCREW	1
13	028397	STUD SCREW	1
14	134154	STEERING RACK	1
15	025055	SHIM	1
16	011685	6-HEAD NUT	1
17	131631	STEERING COLUMN	1
17a	122419	STEERING COLUMN	1
18	125947	STEERING UNIT	1
19	783726	GASKET KIT	1
20	119026	VALVE BLOCK	1
21	795964	INNER-6-HEAD SCREW	2
22	028628	ANGLE SWING SOCKET	2
23	027927	HIGH PRESSURE HOSE	1
24	023344	HIGH PRESSURE HOSE	1
25	028615	ADJUSTABEL ANGEL BRACKET	2
26	028627	ANGLE SWING SOCKET	2
27	019302	HIGH PRESSURE HOSE	2
28	028616	ADJUSTABEL ANGEL BRACKET	2
29	128500	HYDRO CYLINDER	2
29a	110187	GASKET KIT	2
30	784840	CYLINDER	2
31	799022	GUIDE RING	4
32	799023	TURCON GLYD RING	2
33	799024	O-RING SEAL	2
34	781751	SNAP RING	2
35	786669	PISTON ROD	2
36	782027	HINGE BEARING	4
37	011687	6-HEAD NUT	4
38	023415	SHIM	8
39	134269	SPACER TUBE	4
40	134267	STEERING BOLT	4
41	134268	SPACER TUBE	4
42	010491	LUBRICATING NIPPLE	4
43	011192	6-HEAD SCREW	4
44	010996	FLAT SEAL RING	8
47	028607	STRAIGHT SCREW-IN FITTING	2
48	028618	REDUCING NOZZLE	2

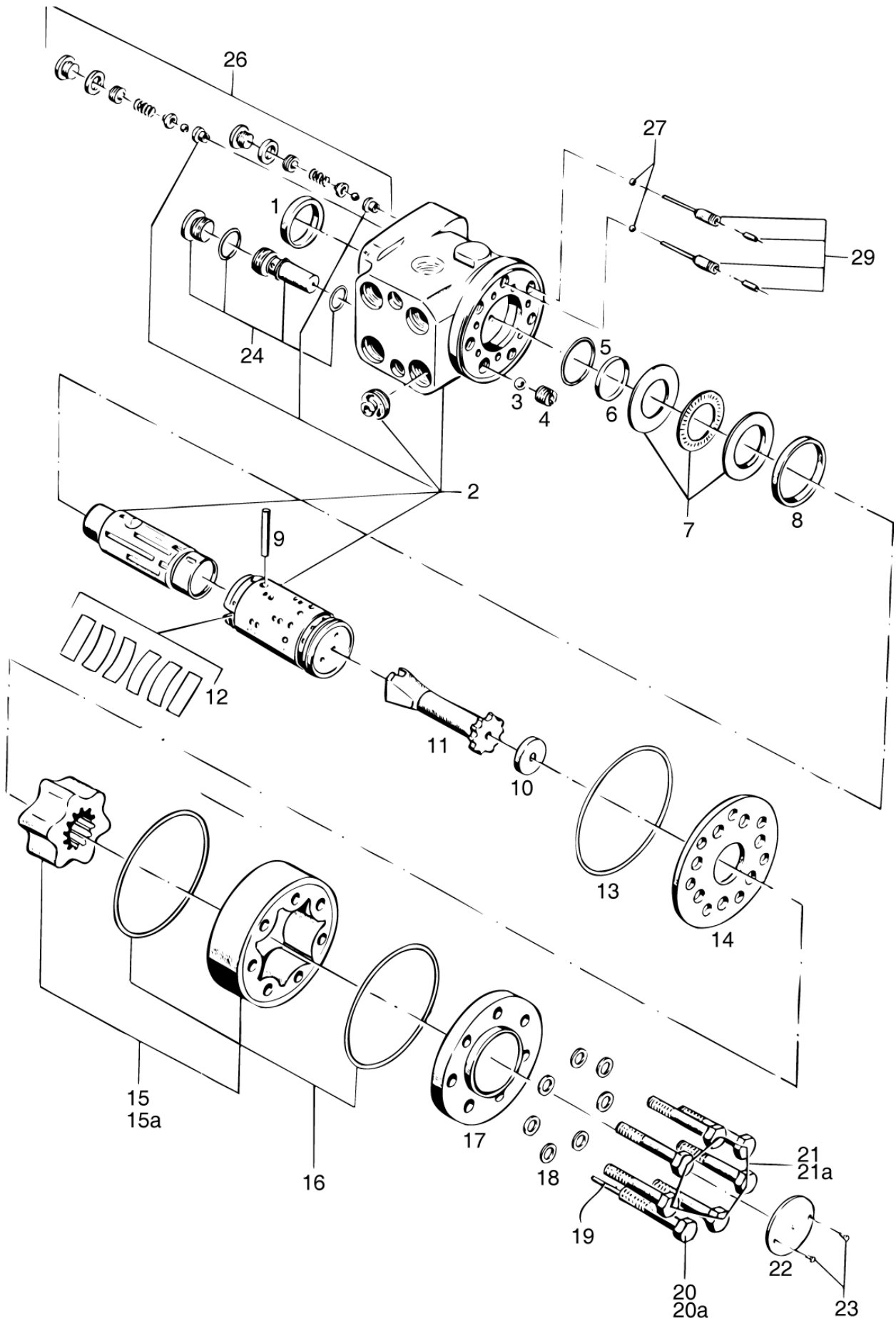


Bildtafel - table - No. 55

Multi-digital-055.ai

26.11.09

Item no.	Article no.	Description	Quantity
49	028627	ANGLE SWING SOCKET	2
50	029562	HOSE	1
51	151939	BOLT	4

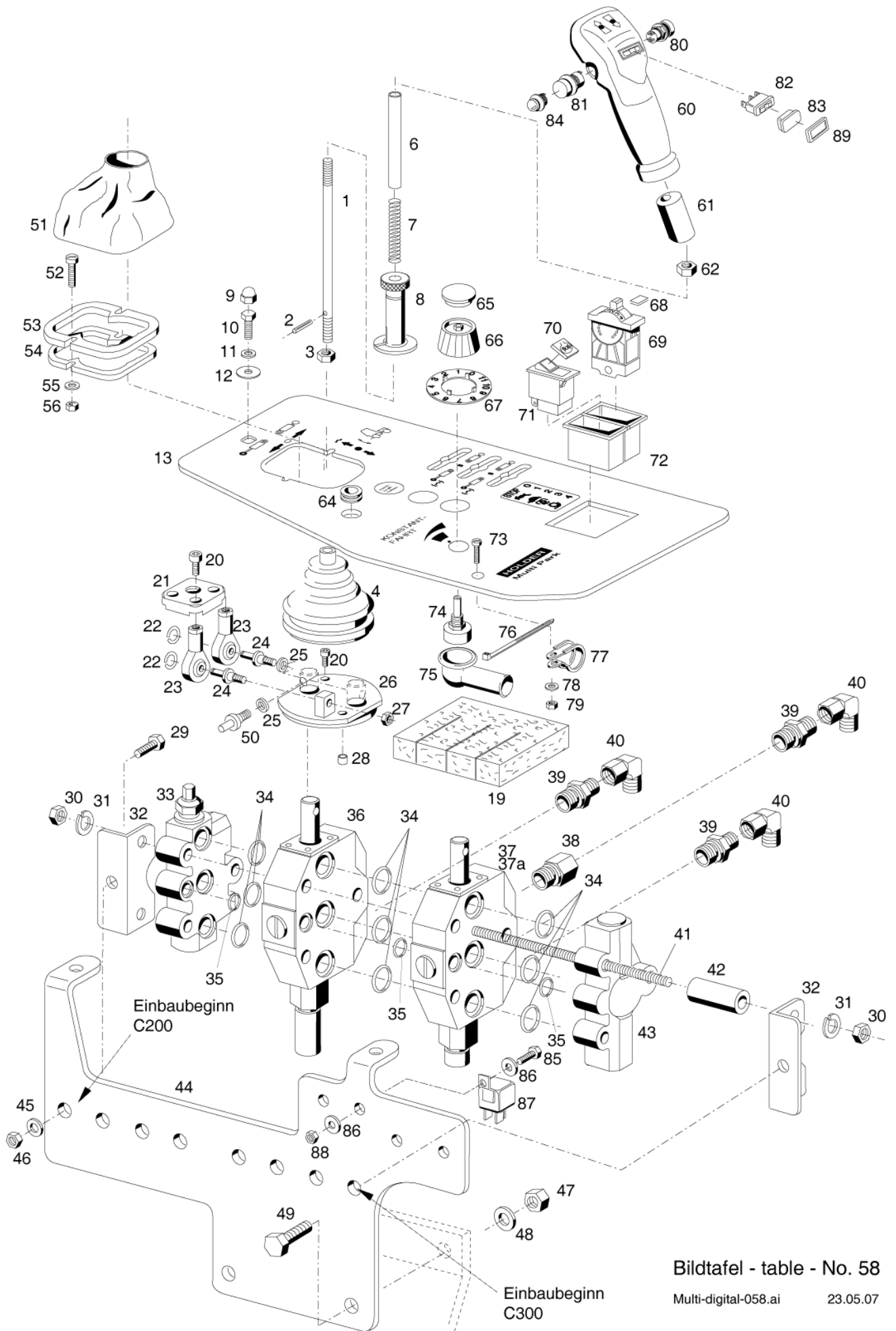


Bildtafel - table - No. 56

Multi-digital-056.ai

08.03.01

Item no.	Article no.	Description	Quantity
0	123008	STEERING UNIT	1
0a	125947	STEERING UNIT	1
1	789109	SEALING RING	1
2	799057	HOUSING	0
3	789429	BALL	1
4	783390	SCREWED BUSH	1
5	789108	O-RING	1
6	789110	RING	1
7	799025	BEARING	1
8	783392	RING	1
9	789391	PLATE	1
10	783397	SPACER OSP	1
11	799225	799225	1
12	783400	SET OF SPRINGS	1
13	789107	O-RING	1
14	783389	DISTRIBUTOR PLATE	1
15	799226	799226	1
15a	799227	799227	1
16	789106	O-RING	2
17	799028	FINAL COVER	1
18	789428	SHIM	7
19	789424	SPRING PIN	1
20	799228	799228	1
20a	799029	SCREW WITH BORE HOLE	1
21	799229	799229	6
21a	789420	SCREW	6
22	799030	NAME PLATE	1
23	789421	SCREW	2
24	799230	799230	1
26	799032	DOUBLE SHOCK VALVES	2
27	799033	BALL	2
29	799034	ACTUATOR ROLL	2
30	110188	GASKET KIT	1

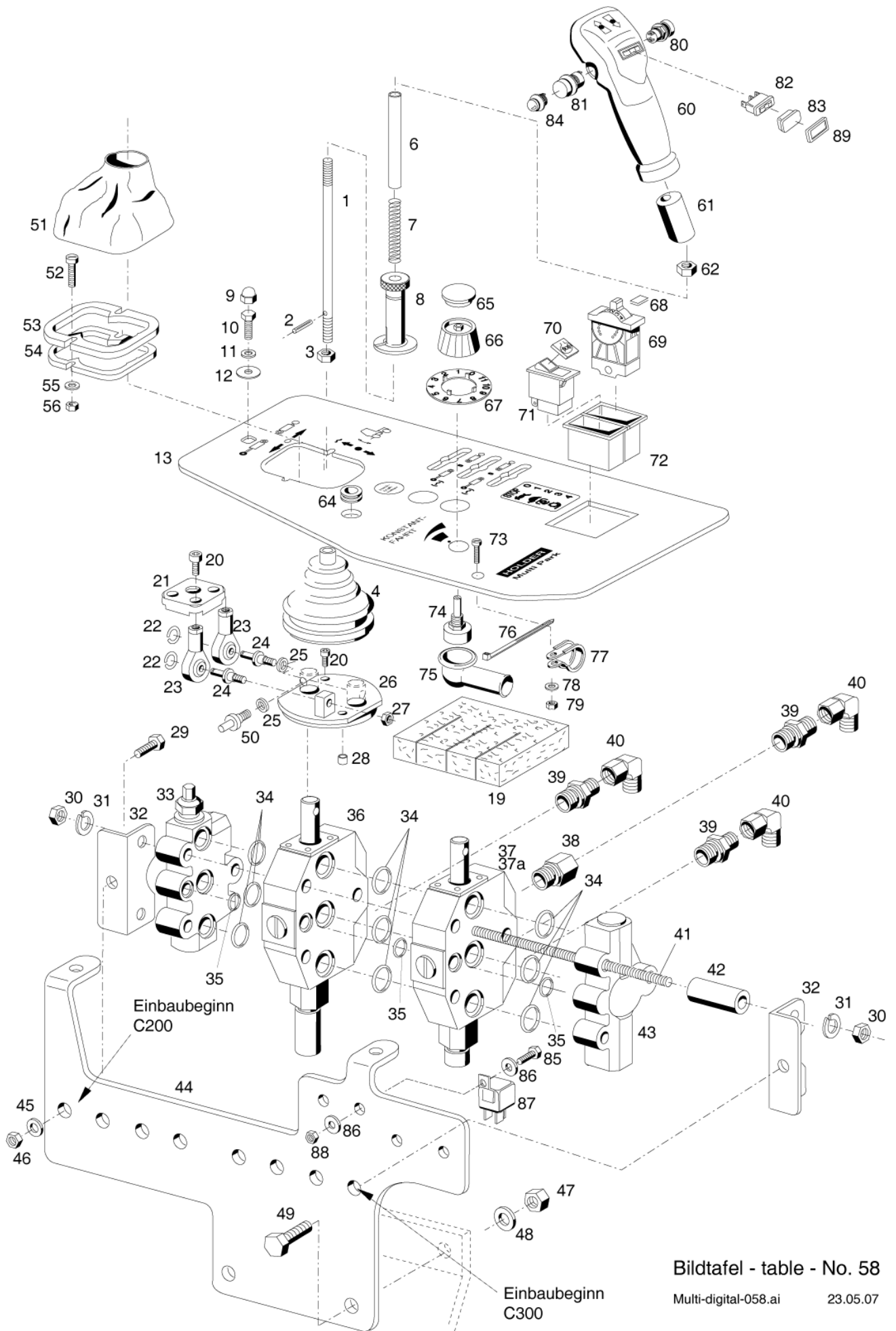


Bildtafel - table - No. 58

Multi-digital-058.ai

23.05.07

Item no.	Article no.	Description	Quantity
1	796344	GEAR CHANGE ROD	1
2	010590	SPRING PIN	1
3	011585	6-HEAD NUT	1
4	788458	BELLOWS	1
6	796378	SLEEVE	1
7	796381	SPRING	1
8	796379	LOCK SLEEVE	1
9	023241	BONNET	2
10	011511	6-HEAD SCREW	2
11	010063	SPRING WASHER	2
12	012537	SHIM	2
13	138088	COVER PLATE	1
13a	138221	COVER PLATE	1
19	135784	COVER	1
20	023273	INNER-6-HEAD SCREW	4
21	789392	PLATE	1
22	796382	FUSE	2
23	788368	PIVOT	3
24	789211	BOLT	2
25	789169	SPACER DISC	2
26	789391	PLATE	1
27	011576	6-HEAD NUT	3
28	796384	SOCKET	2
29	011511	6-HEAD SCREW	2
30	011579	6-HEAD NUT	6
31	011140	SPRING RING	6
32	796385	ANGLE	2
33	790207	ENTRACE PANEL	1
34	029307	O-RING SEAL	1
35	029306	O-RING SEAL	1
36	028692	VALVE PLATE	1
37	028695	VALVE PLATE	1
37a	029688	VALVE PLATE	1
38	028680	DOUBLE SOCKET	1
39	028606	STRAIGHT SCREW-IN FITTING	3
40	028616	ADJUSTABEL ANGEL BRACKET	3
41	025339	SCREWED BOLT	3
42	796389	SPACER TUBE	3
43	789059	END PLATE	1
44	133824	HOLDER	1
45	010044	SHIM	2
46	011579	6-HEAD NUT	2
47	011585	6-HEAD NUT	2
48	010064	SPRING WASHER	2
49	011525	6-HEAD SCREW	2
50	796390	BOLT	1
51	136662	BELLOWS	1
52	011199	CYLINDER SCREW	2
53	136665	CONNECTING LINK ABOVE	1
54	136666	CONNECTING LINK BELOW	1
55	023292	SHIM	2

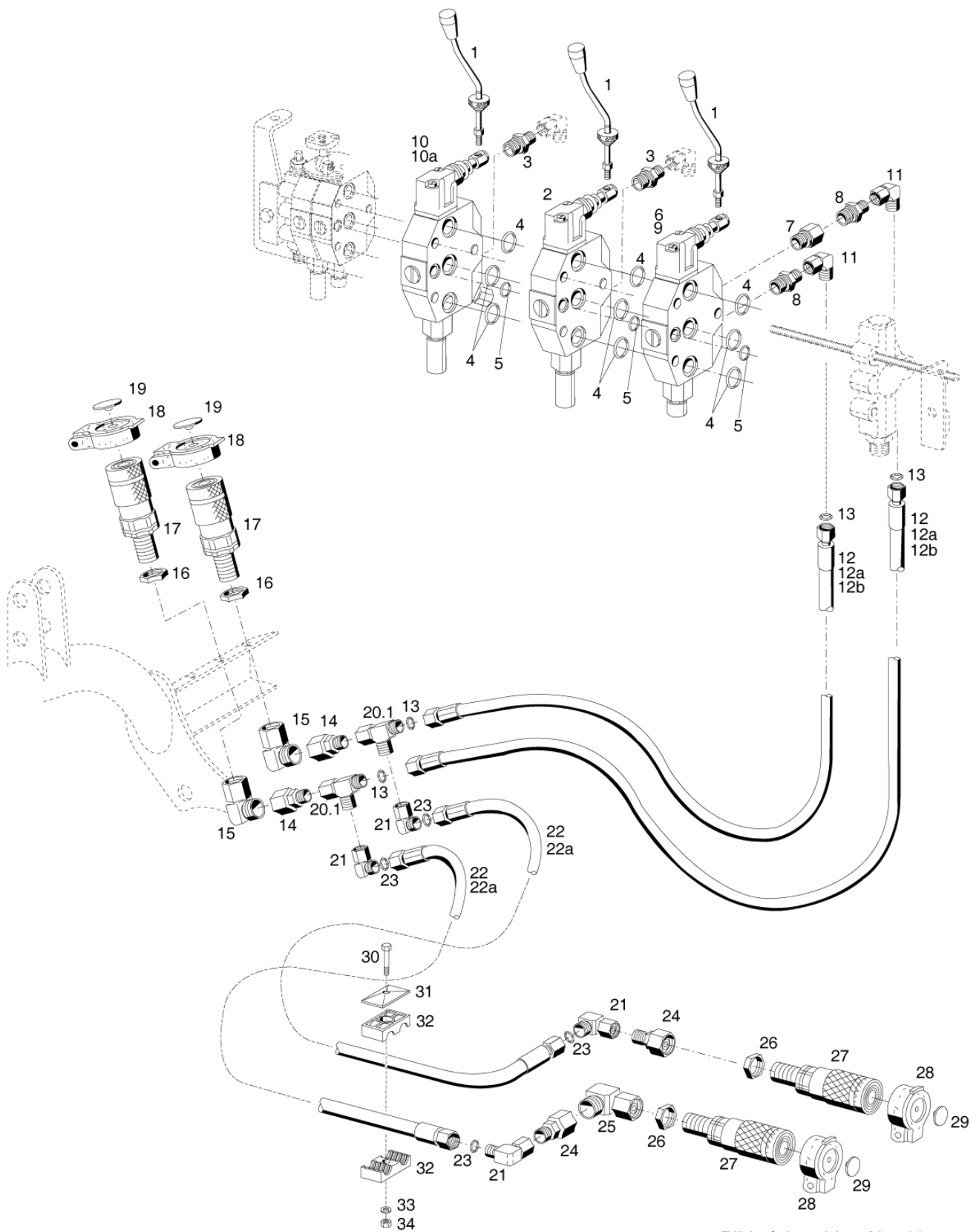


Bildtafel - table - No. 58

Multi-digital-058.ai

23.05.07

Item no.	Article no.	Description	Quantity
56	011576	6-HEAD NUT	2
60	142350	MULTIFUNCTION GRIP	1
61	137943	ASHWOOD HANDLE CROSS LEVER	1
62	011585	6-HEAD NUT	1
64	014780	GROMMET	1
65	138042	CAP	1
66	137990	ADJUSTING KNOB WITH STITCH BRAND SHORT	1
67	137991	NUMBER DISC	1
68	137987	SYMBOL	1
69	137986	MULIFUNCTON SWITCH	1
70	028763	INSERT SYMBOL	1
71	028785	028785	1
72	028783	TAIL	2
73	013913	SLOTHEAD SCREW	1
74	137989	POTENTIOMETER WITH O-RING	1
75	114820	RUBBER CAP	1
76	019743	CABLE BAND	1
77	026651	PIPE CLAMP WITH RUBBER PROFILE	1
78	010061	SPRING WASHER	1
79	011576	6-HEAD NUT	1
80	029282	ELECTRICAL SWITCH RED	1
81	029281	ELECTRICAL BUTTON YELLOW	1
82	796801	SWITCH	1
83	796800	CAP	1
84	030240	ELECTRICAL BUTTON ORANGE	1
85	011158	6-HEAD SCREW	1
86	010464	SHIM	2
87	030616	CHANGEVER RELAIS WITHOUT EXTINGUISHING DIODE	1
88	011683	6-HEAD NUT	1
89	797983	FRAME	1

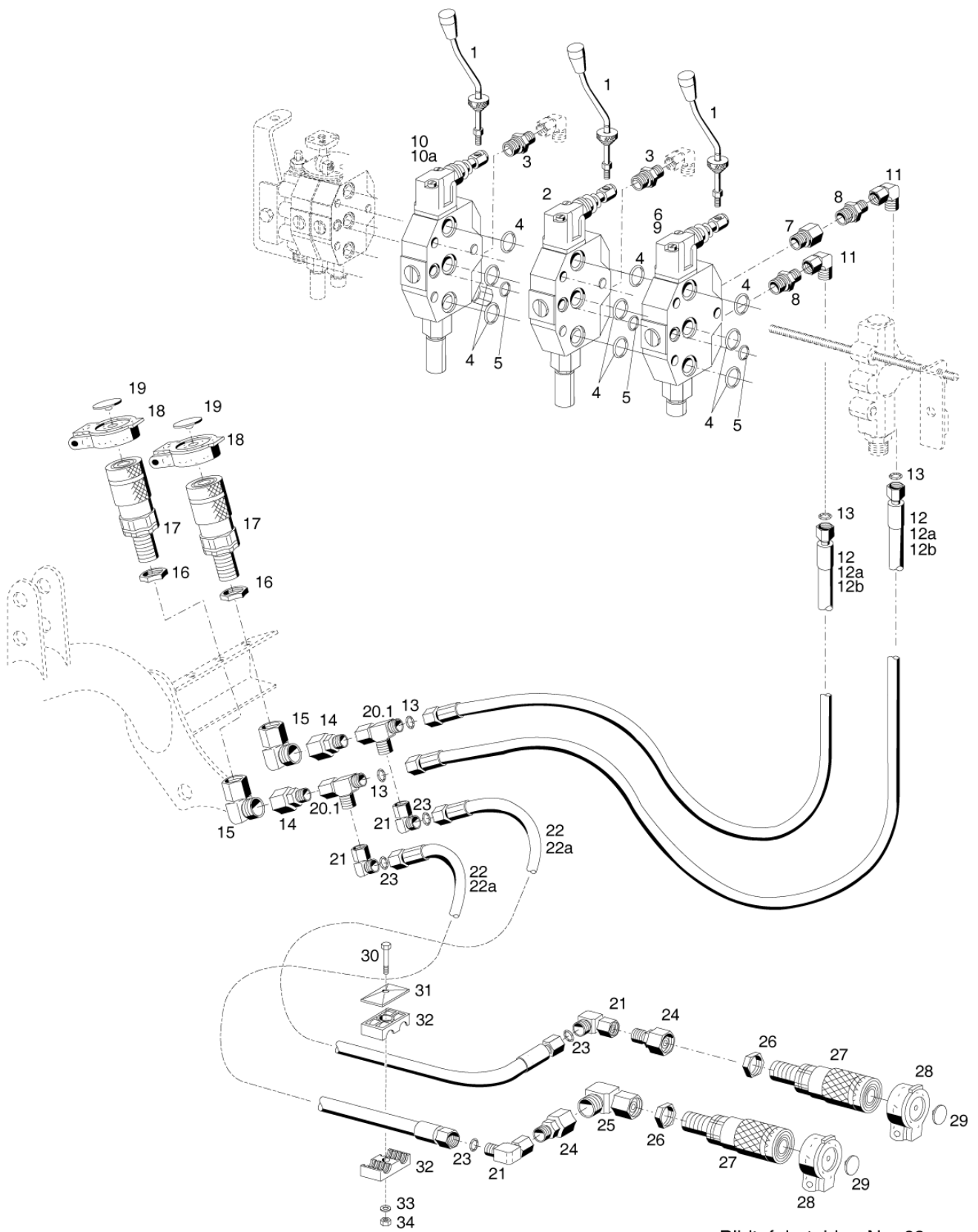


Bildtafel - table - No. 62

Multi-digital-062.ai

08.03.01

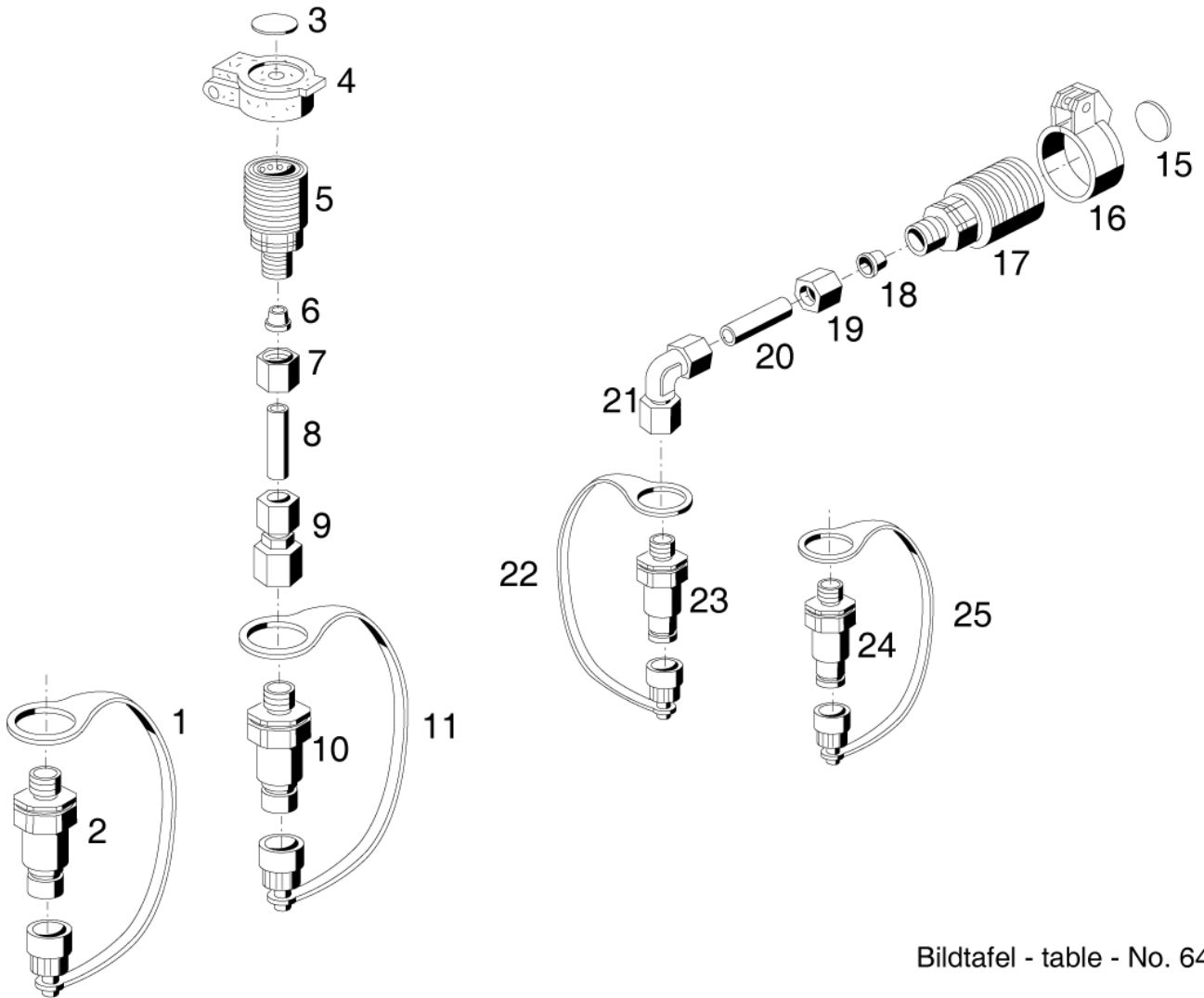
Item no.	Article no.	Description	Quantity
0	134909	ADDITIONAL CONTROL VALVE	1
1	028693	OPERATION	3
2	028692	VALVE PLATE	1
2.1	790320	GASKET KIT	1
3	028606	STRAIGHT SCREW-IN FITTING	2
4	796387	796387	9
5	796388	796388	3
5.1	134910	assitional control valve D/A	1
6	028695	VALVE PLATE	1
6a	790320	GASKET KIT	1
7	028680	DOUBLE SOCKET	1
8	028606	STRAIGHT SCREW-IN FITTING	2
8.1	134911	EXTRA CONTROL UNIT DW 4/4	1
9	028696	VALVE PLATE	1
9a	790320	GASKET KIT	1
9b	135381	single acting valve	1
9c	140485	double acting valve	1
10	028694	VALVE PLATE	1
10a	029688	VALVE PLATE	1
10b	790320	GASKET KIT	1
10c	136493	PLUG-IN CLUTCH FRONT	2
10d	134912	clutch control front	2
11	028616	ADJUSTABEL ANGEL BRACKET	2
12	025369	HIGH PRESSURE HOSE	2
12a	019302	HIGH PRESSURE HOSE	2
12b	019287	HIGH PRESSURE HOSE	1
13	025385	O-RING SEAL	4
14	028618	REDUCING NOZZLE	2
15	028615	ADJUTABEL ANGEL BRACKET	2
16	016205	6-HEAD NUT	2
17	027954	LOCKING MUFFLE WITH DUST PROTECTION COVER	2
18	028217	DUST PROTECTION COVER	2
19	027956	CLIP FOR DUST PROTECTOR COVER	1
19a	027957	Clip for dust protector cover black	1
19b	027958	Clip for dust protector cover blue	1
19c	027959	Clip for dust protector cover green	1
19d	027960	Clip for dust protector cover yellow	1
20.0	137111	PLUG-IN CLUTCH REAR	1
20.0a	134913	clutch control rear	1
20.1	028621	ADJUSTABEL L-FITTING	2
21	028616	ADJUSTABEL ANGEL BRACKET	4
22	022645	HIGH PRESSURE HOSE	2
22a	022659	HIGH PRESSURE HOSE	2
23	025385	O-RING SEAL	4
24	028618	REDUCING NOZZLE	2
25	028615	ADJUTABEL ANGEL BRACKET	2
26	016205	6-HEAD NUT	2
27	027954	LOCKING MUFFLE WITH DUST PROTECTION COVER	2
28	028217	DUST PROTECTION COVER	2
29	027956	CLIP FOR DUST PROTECTOR COVER	1
29a	027957	Clip for dust protector cover black	1



Bildtafel - table - No. 62

Multi-digital-062.ai 08.03.01

Item no.	Article no.	Description	Quantity
29b	027958	Clip for dust protector cover blue	1
29c	027959	Clip for dust protector cover green	1
29d	027960	Clip for dust protector cover yellow	1
30	011520	6-HEAD SCREW	1
31	028661	COVER PLATE	1
32	028660	PIPE CLAMP	1
33	010044	SHIM	1
34	011935	6-HEAD NUT	1



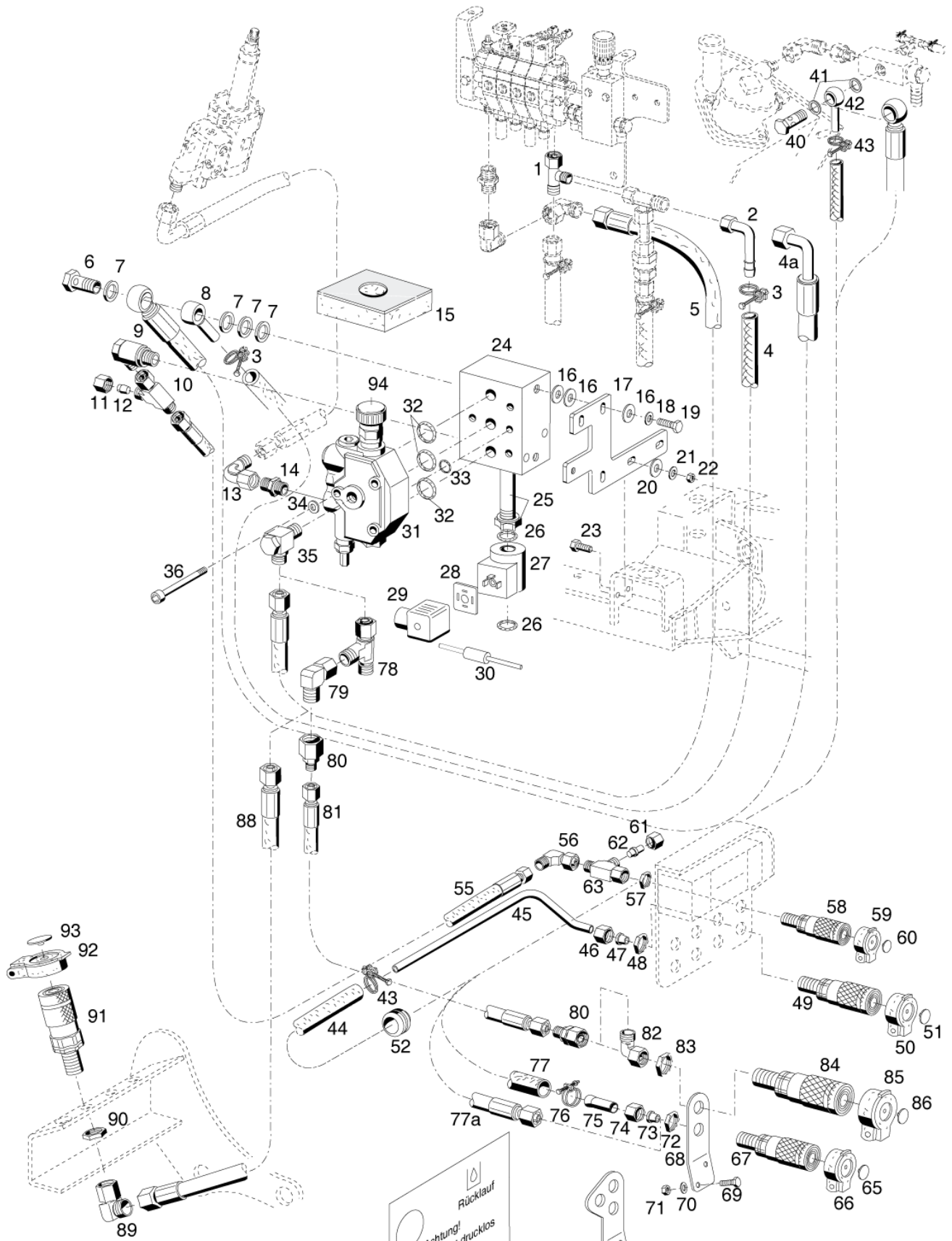
Bildtafel - table - No. 64

Multi-digital-064.ai

08.03.01

Item no.	Article no.	Description	Quantity
0	027946	KIT PLUG-IN CLUTCH	1
1	027976	DUST COVER FOR PLUG RED	1
1a	027977	+DUST CAP F. PLUG BL	1
1b	027978	+DUST CAP F. PLUG	1
1c	027979	+DUST CAP F. PLUG GR	1
1d	027980	+DUST CAP F. PLUG YE	1
1e	027981	+DUST CAP F. PLUG WH	1
2	027969	PLUG	1
2a	132989	ADAPTOR FOR UNPRESSURIZED RETURN FLOW	1
3	023420	STICKER	1
4	023309	DUST COVER	1
5	020602	CLUTCH SLEEVE	1
5a	026937	GASKET KIT FOR COUPLING MUFF	1
6	015751	PROFILE RING	1
7	015725	UNION NUT	1
8	117609	CONNECTING TUBE	1
9	025125	REDUCTION UNION	1
10	027969	PLUG	1
11	027976	DUST COVER FOR PLUG RED	1
11a	027977	+DUST CAP F. PLUG BL	1
11b	027978	+DUST CAP F. PLUG	1
11c	027979	+DUST CAP F. PLUG GR	1
11d	027980	+DUST CAP F. PLUG YE	1
11e	027981	+DUST CAP F. PLUG WH	1
12	132343	ADAPTER FOR PLUG-IN CLUTCHES	1
15	023420	STICKER	1
16	023309	DUST COVER	1
17	020602	CLUTCH SLEEVE	1
17a	026937	GASKET KIT FOR COUPLING MUFF	1
18	015751	PROFILE RING	1
19	015725	UNION NUT	1
20	117609	CONNECTING TUBE	1
21	025118	ADJUSTABLE ANGEL SCREW CONNECTION	1
22	027962	DUST COVER FOR PLUG RED	1
22a	027963	+DUST CAP F. PLUG	1
22b	027964	+DUST CAP F. PLUG BL	1
22c	027965	+DUST CAP F. PLUG	1
22d	027966	+DUST CAP F. PLUG YE	1
22e	027967	+DUST CAP F. PLUG WH	1
23	027955	PLUG	1
23.1	027930	PLUG	1
24	027955	PLUG	1
25	027962	DUST COVER FOR PLUG RED	1
25a	027963	+DUST CAP F. PLUG	1
25b	027964	+DUST CAP F. PLUG BL	1
25c	027965	+DUST CAP F. PLUG	1
25d	027966	+DUST CAP F. PLUG YE	1
25e	027967	+DUST CAP F. PLUG WH	1

Item no.	Article no.	Description	Quantity
510	800731	FLOW DIVIDER, UNPRESSURIZED RETURN LINE, LINES, C200	1
520	800732	HOSE SET FLOW DIVIDER, UNPRESSURIZED RETURN LINE	1
530	800733	FLOW DIVIDER, UNPRESSURIZED RETURN LINE, LINES, REAR	1
540	800734	HYDR. CARRYING DEVICE, C200	1
550	800735	HYDR. CARRYING DEVICE, C300	1
560	800736	INTEGRATED DEVICE SERVO PUMP, DISTRIBUTOR PIPE, FILTER	1
570	800737	INTEGRATED DEVICE SERVO PUMP, DISTRIBUTOR PIPE, FILTER	1
580	800738	INTEGRATED DEVICE SERVO PUMP, GEAR PUMP C200	1
590	800739	INTEGRATED DEVICE SERVO PUMP, FILTER, PLUG-IN CLUTCH, C300	1
600	800740	INTEGRATED DEVICE SERVO PUMP, GEAR PUMP, C300	1
610	800741	ELECTICAL DISTRIBUTOR BLOCK	1




Rücklauf
 Achtung!
 Anschluß nicht drucklos
 Nur geeignete
 Geräte verwenden!

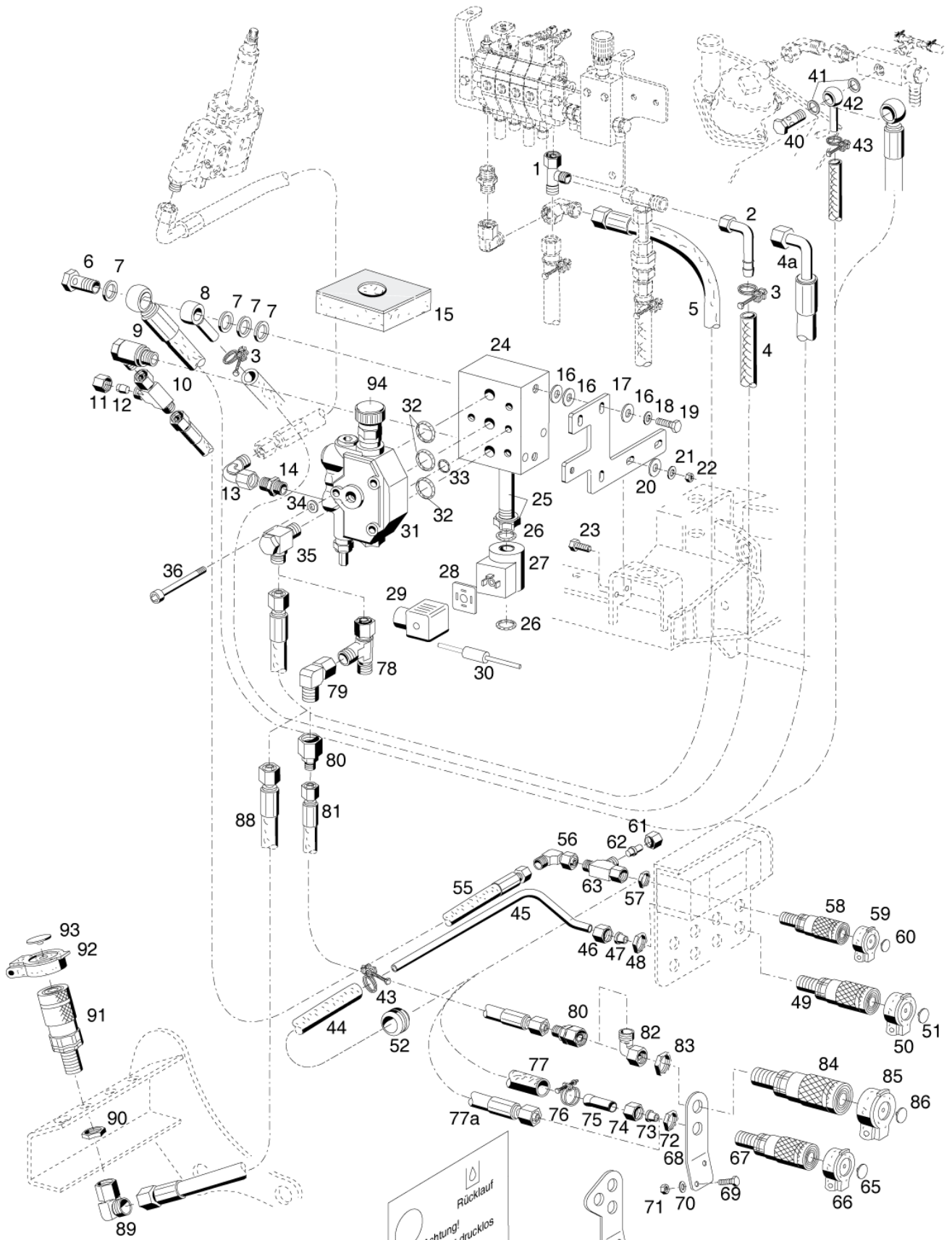
87

Bildtafel - table - No. 65a

Multi-digital-065a.ai

17.05.05

Item no.	Article no.	Description	Quantity
0	137659	FLOW DIVIDER 2. CIRCUIT 0-25L/MIN. WITH TANDEM PUMP	1
1	028620	ADJUSTABEL L-FITTING	1
2	027931	HOSE NIPPLE	1
3	023132	WIRE BAR CLAMP	2
4	029378	+RETURN HOSE	1
4a	030391	LOW PRESSURE HOSE	1
5	028177	HIGH PRESSURE HOSE	1
6	025291	HOLLOW SCREW	1
7	010395	GASKET RING	4
8	027916	HOSE NIPPLE WITH ADAPTER	1
9	028637	ANGLE SWING SOCKET	1
10	028617	ADJUSTABEL L-FITTING	1
11	015725	UNION NUT	1
12	015893	CLOSURE PLUG	1
13	028624	ADJUTABEL ANGEL BRACKET	1
14	028603	STRAIGHT SCREW-IN FITTING	1
15	132034	STEERING COVER	1
16	012537	SHIM	6
17	137500	HOLDER	1
18	010063	SPRING WASHER	2
19	011514	6-HEAD SCREW	2
20	012537	SHIM	2
21	010063	SPRING WASHER	2
22	011579	6-HEAD NUT	2
23	011514	6-HEAD SCREW	2
24	029303	VALVE BODY	1
25	029304	SEATVALVE	1
26	014722	O-RING SEAL	2
27	029305	MAGNET	1
28	128432	GASKET	1
29	126318	CONNECTER 3-POLE	1
30	027136	DIODE BY 254	1
31	029302	current regulation valve	1
32	029307	O-RING SEAL	3
33	029306	O-RING SEAL	1
34	011140	SPRING RING	3
35	028629	ANGLE SWING SOCKET	1
36	011867	INNER-6-HEAD SCREW	3
37	136291	136291	1
38	139428	UNPRESSURIZED RETURN LINE REAR LEFT	1
40	025293	HOLLOW SCREW	1
41	010401	GASKET RING	2
42	027917	HOSE NIPPLE WITH SUPPORT	1
43	023132	WIRE BAR CLAMP	2
44	027928	RETURN FLOW HOSE	1
45	136171	RETURN LINE	1
46	015727	UNION NUT	1
47	015752	PROFILE RING	1
48	010103	6-HEAD NUT	1
49	027968	LOCKING MUFFLE WITH DUST PROTECTION COVER	1
50	028218	DUST PROTECTION COVER	1




Achtung!
 Anschluß nicht drucklos
 Nur geeignete
 Geräte verwenden!

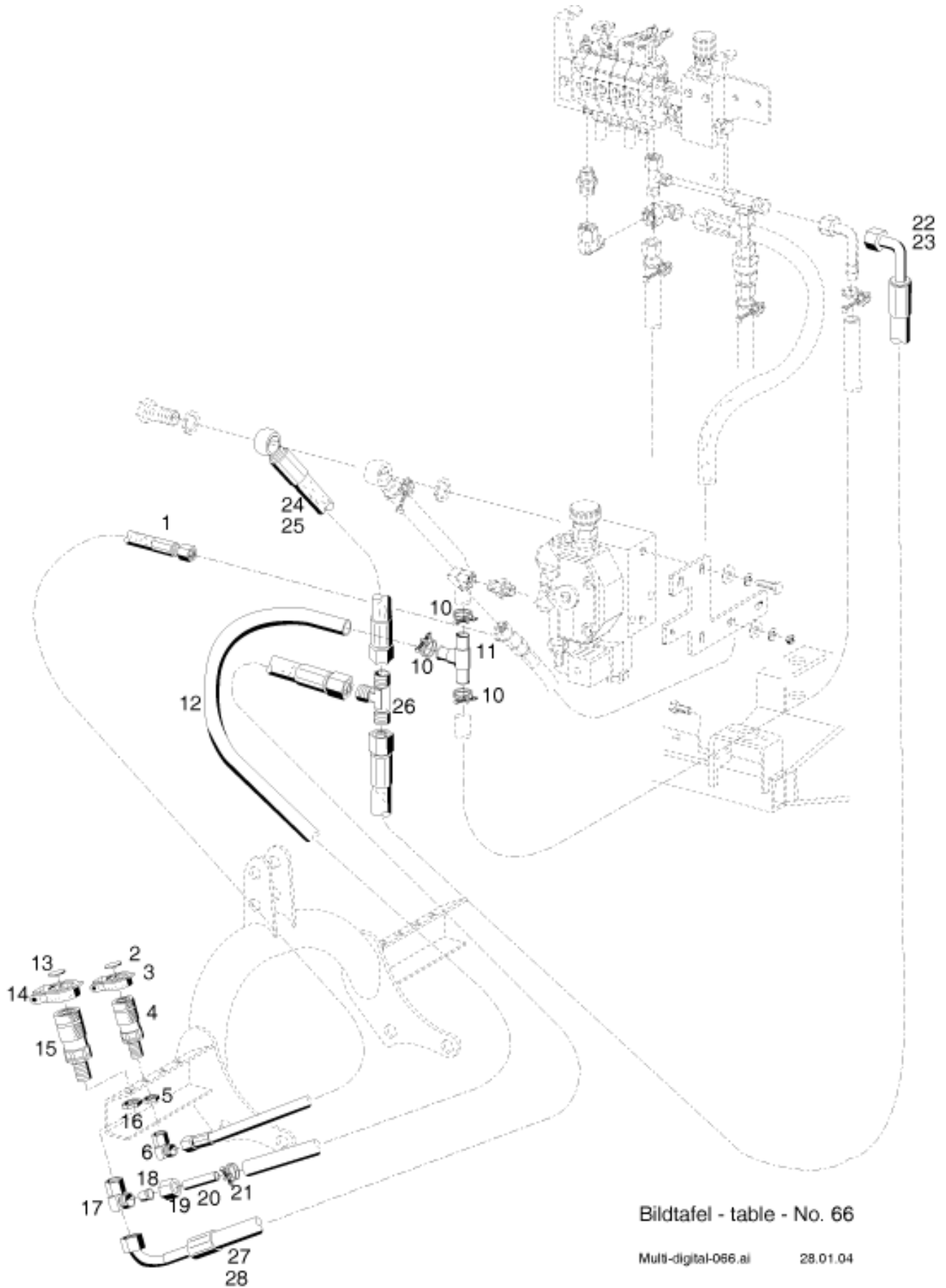
87

Bildtafel - table - No. 65a

Multi-digital-065a.ai

17.05.05

Item no.	Article no.	Description	Quantity
51	027956	CLIP FOR DUST PROTECTOR COVER	1
52	028560	RUBBER BEAK	2
53	136290	HOSESET FLOW DIVIDER REAR	1
55	024230	HIGH PRESSURE HOSE	1
56	028615	ADJUTABEL ANGEL BRACKET	1
57	016205	6-HEAD NUT	1
58	027954	LOCKING MUFFLE WITH DUST PROTECTION COVER	1
59	028217	DUST PROTECTION COVER	1
60	027956	CLIP FOR DUST PROTECTOR COVER	1
61	015725	UNION NUT	1
62	015893	CLOSURE PLUG	1
63	028617	ADJUSTABEL L-FITTING	1
65	027956	CLIP FOR DUST PROTECTOR COVER	1
66	028218	DUST PROTECTION COVER	1
67	027968	LOCKING MUFFLE WITH DUST PROTECTION COVER	1
68	139562	+PERFORATED STRIP	1
68a	140973	PERFORATED STRIP	1
69	011509	6-HEAD SCREW	2
70	010063	SPRING WASHER	2
71	011579	6-HEAD NUT	2
72	016205	6-HEAD NUT	1
73	015752	PROFILE RING	1
74	015727	UNION NUT	1
75	132073	PIPE	1
76	023132	WIRE BAR CLAMP	1
77	026864	+HIGH PRESSURE HOSE	1
77a	030393	LOW PRESSURE HOSE	1
77b	140151	RETURN FLOW REAR FOR MOUNTED SPREADER	1
78	028620	ADJUSTABEL L-FITTING	1
79	028624	ADJUTABEL ANGEL BRACKET	1
80	028619	REDUCING NOZZLE	2
81	024230	HIGH PRESSURE HOSE	1
82	028624	ADJUTABEL ANGEL BRACKET	1
83	010103	6-HEAD NUT	1
84	027968	LOCKING MUFFLE WITH DUST PROTECTION COVER	1
85	028218	DUST PROTECTION COVER	1
86	027956	CLIP FOR DUST PROTECTOR COVER	1
87	141434	INFORMATION SIGN ATTENTION	1
87.1	140986	RETURN FLOW FRNT FOR SWEEPING MACHINE	1
88	028177	HIGH PRESSURE HOSE	1
89	028624	ADJUTABEL ANGEL BRACKET	1
90	010103	6-HEAD NUT	1
91	027968	LOCKING MUFFLE WITH DUST PROTECTION COVER	1
92	028218	DUST PROTECTION COVER	1
93	027956	CLIP FOR DUST PROTECTOR COVER	1
94	797615	TURNING HANDLE WITH CAP	1

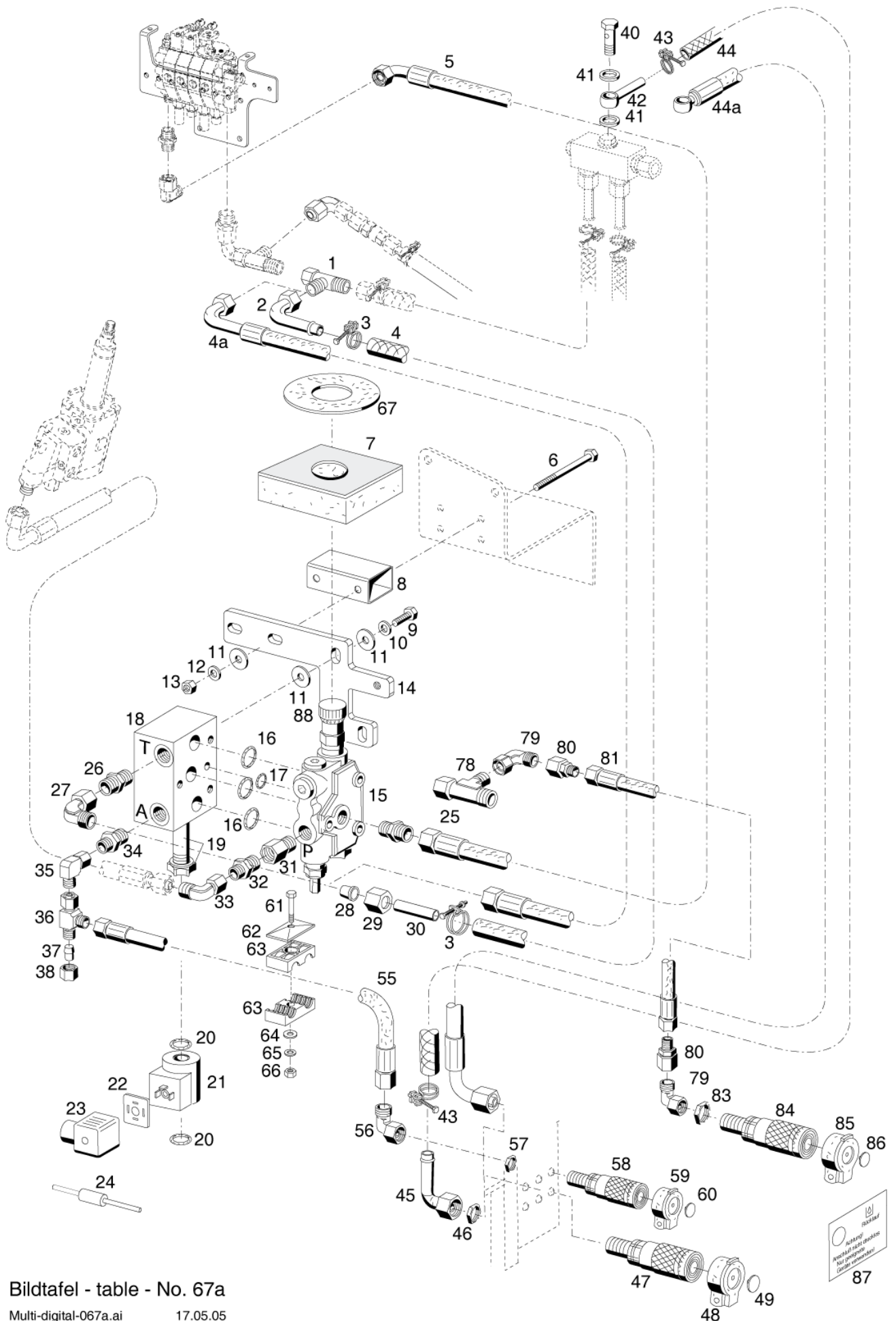


Bildtafel - table - No. 66

Multi-digital-066.ai

28.01.04

Item no.	Article no.	Description	Quantity
0	134915	set of lines for flow dividerfront	1
1	021852	HIGH PRESSURE HOSE	1
2	027956	CLIP FOR DUST PROTECTOR COVER	1
3	028217	DUST PROTECTION COVER	1
4	027954	LOCKING MUFFLE WITH DUST PROTECTION COVER	1
5	016205	6-HEAD NUT	1
6	028615	ADJUTABEL ANGEL BRACKET	1
7	134917	pressurless return flow front	1
10	023132	WIRE BAR CLAMP	3
11	132283	T-PIECE	1
12	026662	+RETURN HOSE	1
12.1	145094	UNPRESSURIZED RETURN LINE FRONT	1
12.2	145095	PRESSURELESS RETURN FLOWFRONT C300TYPE 203-80-29	1
13	027956	CLIP FOR DUST PROTECTOR COVER	1
14	028218	DUST PROTECTION COVER	1
15	027968	LOCKING MUFFLE WITH DUST PROTECTION COVER	1
16	010103	6-HEAD NUT	1
17	028624	ADJUTABEL ANGEL BRACKET	1
18	015752	PROFILE RING	1
19	015727	UNION NUT	1
20	132073	PIPE	1
21	023132	WIRE BAR CLAMP	1
22	030385	LOW PRESSURE HOSE	1
23	030384	-LOW-PRESSURE HOSE ASSY. NL.	1
24	030392	LOW PRESSURE HOSE	1
25	030394	LOW PRESSURE HOSE	1
26	028611	T-NOZZLE	1
27	030387	LOW PRESSURE HOSE	1
28	030503	-LOW-PRESSURE HOSE ASSY. NL.	1

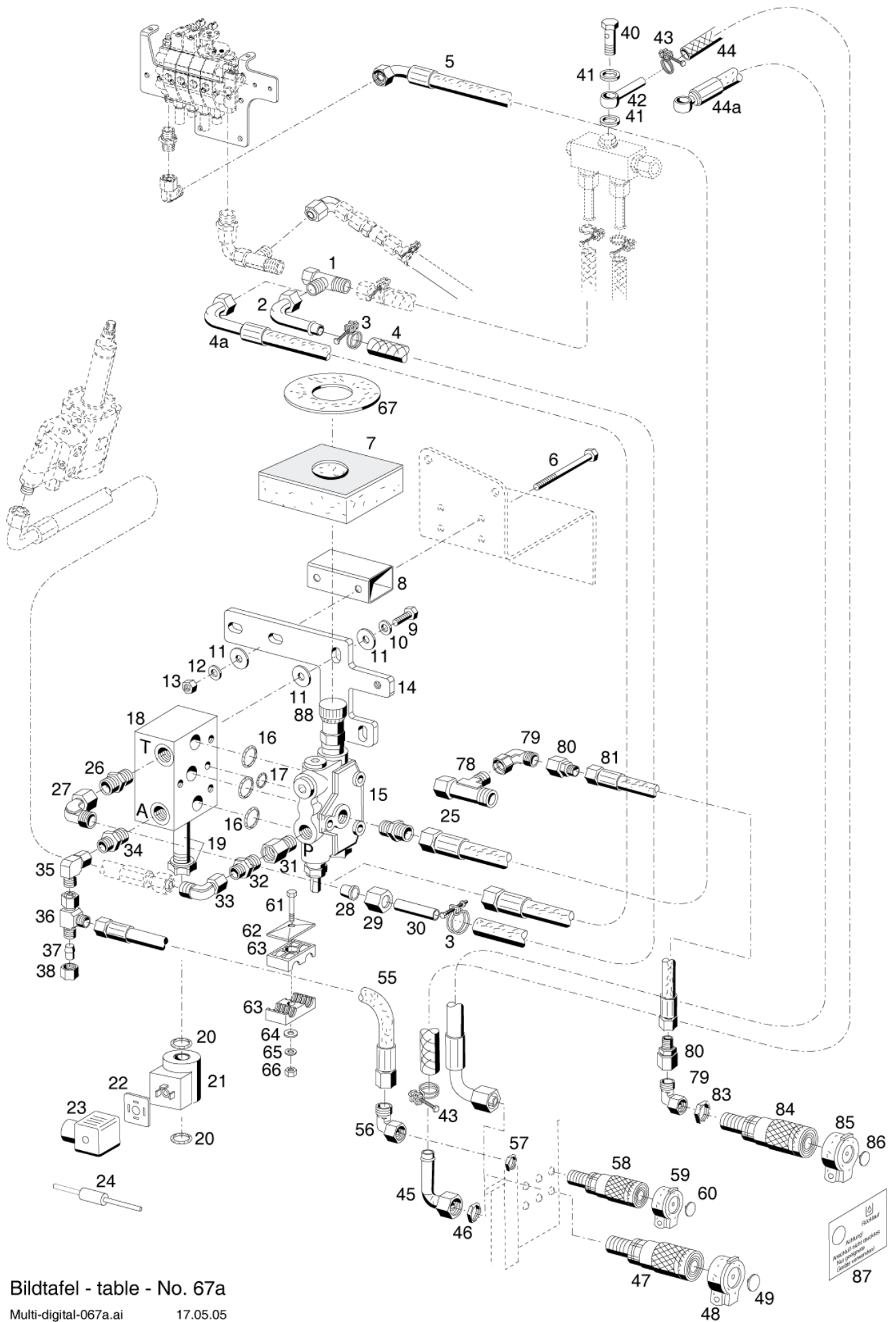


Bildtafel - table - No. 67a

Multi-digital-067a.ai

17.05.05

Item no.	Article no.	Description	Quantity
0	137660	flow divider C300	1
1	028620	ADJUSTABEL L-FITTING	1
2	027931	HOSE NIPPLE	1
3	023132	WIRE BAR CLAMP	2
4	029295	029295	1
4a	030385	LOW PRESSURE HOSE	1
5	027912	HOSE LINE	1
6	022568	6-HEAD SCREW	2
7	132034	STEERING COVER	1
8	137503	BASE C300	1
9	011514	6-HEAD SCREW	2
10	010063	SPRING WASHER	2
11	012537	SHIM	6
12	010063	SPRING WASHER	2
13	011579	6-HEAD NUT	2
14	137500	HOLDER	1
15	029302	current regulation valve	1
16	029307	O-RING SEAL	3
17	029306	O-RING SEAL	1
18	029303	VALVE BODY	1
19	029304	SEATVALVE	1
20	014722	O-RING SEAL	2
21	029305	MAGNET	1
22	128432	GASKET	1
23	126318	CONNECTER 3-POLE	1
24	027136	DIODE BY 254	1
25	028603	STRAIGHT SCREW-IN FITTING	1
26	028603	STRAIGHT SCREW-IN FITTING	1
27	028624	ADJUTABEL ANGEL BRACKET	1
28	015752	PROFILE RING	1
29	015727	UNION NUT	1
30	132073	PIPE	1
31	028680	DOUBLE SOCKET	1
32	028603	STRAIGHT SCREW-IN FITTING	1
33	028624	ADJUTABEL ANGEL BRACKET	1
34	028602	STRAIGHT SCREW-IN FITTING	1
35	028615	ADJUTABEL ANGEL BRACKET	1
36	028617	ADJUSTABEL L-FITTING	1
37	015893	CLOSURE PLUG	1
38	015725	UNION NUT	1
39	134918	pressure less return flow rear	1
40	025293	HOLLOW SCREW	1
41	010401	GASKET RING	2
42	027917	HOSE NIPPLE WITH SUPPORT	1
43	023132	WIRE BAR CLAMP	2
44	027942	+HOSE	1
44a	030389	-LOW-PRESSURE HOSE (PREASS.)	1
45	027931	HOSE NIPPLE	1
46	010103	6-HEAD NUT	1
47	027968	LOCKING MUFFLE WITH DUST PROTECTION COVER	1
48	028218	DUST PROTECTION COVER	1

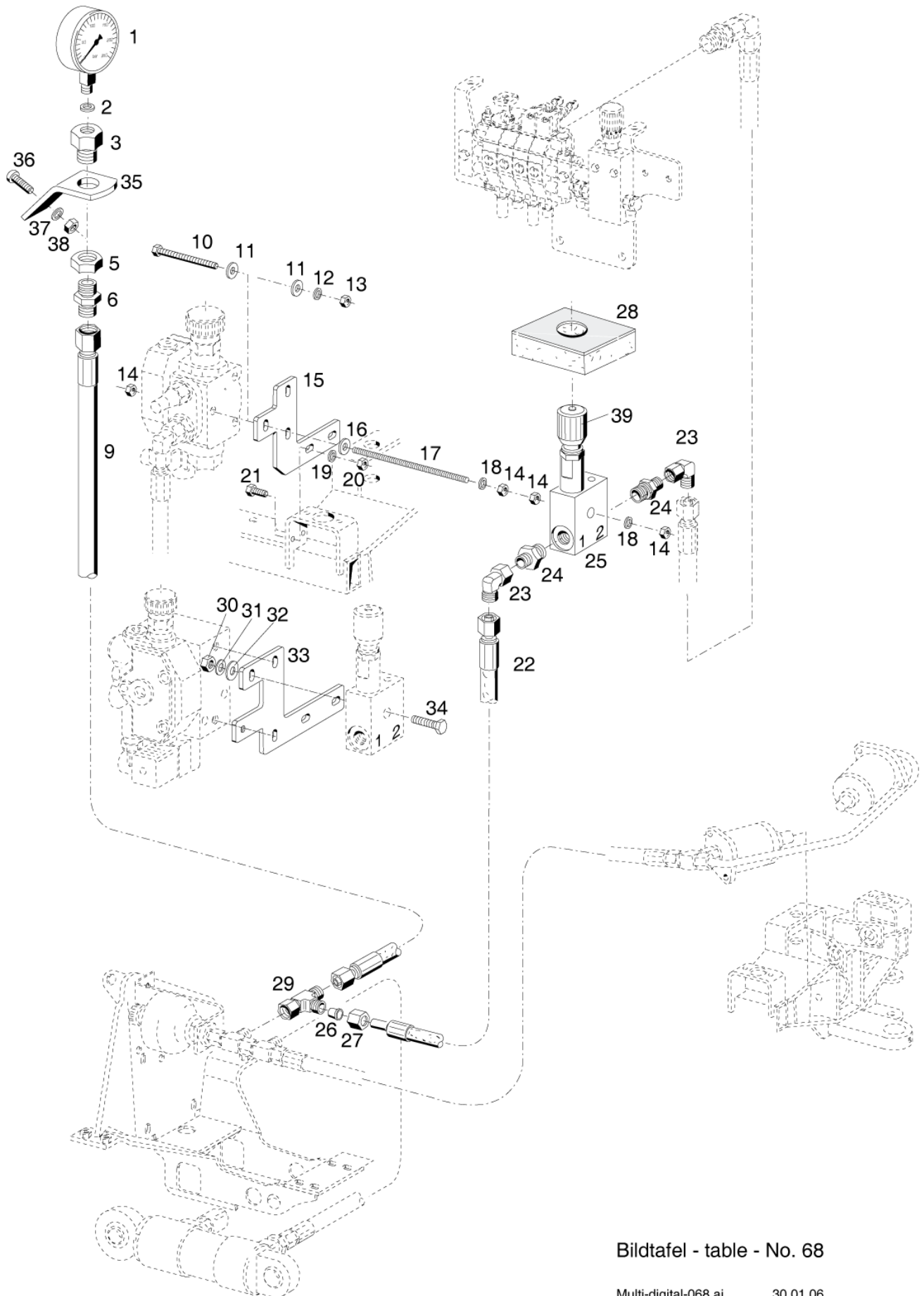


Bildtafel - table - No. 67a

Multi-digital-067a.ai

17.05.05

Item no.	Article no.	Description	Quantity
49	027956	CLIP FOR DUST PROTECTOR COVER	1
50	134916	PIPE SET FLOW DIVIDER	1
55	024230	HIGH PRESSURE HOSE	1
56	028615	ADJUTABEL ANGEL BRACKET	1
57	016205	6-HEAD NUT	1
58	027954	LOCKING MUFFLE WITH DUST PROTECTION COVER	1
59	028217	DUST PROTECTION COVER	1
60	027956	CLIP FOR DUST PROTECTOR COVER	1
61	011088	6-HEAD SCREW	1
62	023857	COVER PLATE 5280	1
63	023856	PIPE CLAMP	2
64	010044	SHIM	1
65	010063	SPRING WASHER	1
66	011579	6-HEAD NUT	1
67	028034	COVER DISC	1
68	140151	RETURN FLOW REAR FOR MOUNTED SPREADER	1
78	028620	ADJUSTABEL L-FITTING	1
79	028624	ADJUTABEL ANGEL BRACKET	2
80	028619	REDUCING NOZZLE	2
81	024230	HIGH PRESSURE HOSE	1
83	010103	6-HEAD NUT	1
84	027968	LOCKING MUFFLE WITH DUST PROTECTION COVER	1
85	028218	DUST PROTECTION COVER	1
86	027956	CLIP FOR DUST PROTECTOR COVER	1
87	141434	INFORMATION SIGN ATTENTION	1
88	797615	TURNING HANDLE WITH CAP	1

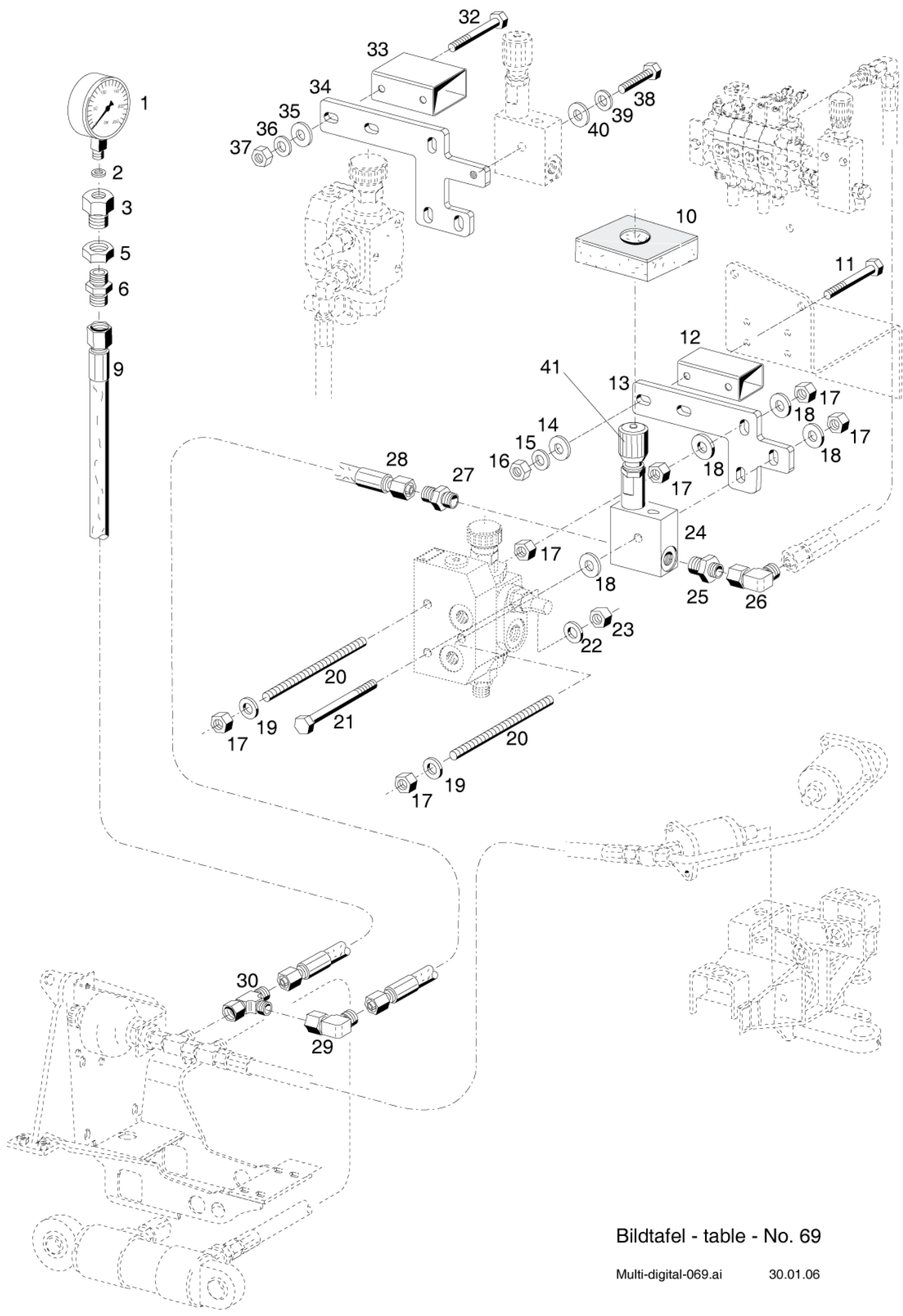


Bildtafel - table - No. 68

Multi-digital-068.ai

30.01.06

Item no.	Article no.	Description	Quantity
0	136340	HYDR. CARRYING DEVICE	1
1	023609	PRESSURE GAUGE CONNECTION	1
2	014765	SEAL	1
3	023505	THREADED NIPPLES	1
5	010102	6-HEAD NUT	1
6	023611	SCREW UNION, STRAIGHT	1
9	019289	HIGH PRESSURE HOSE	1
10	011175	6-HEAD SCREW	1
11	012537	SHIM	2
12	010063	SPRING WASHER	1
13	011579	6-HEAD NUT	3
14	011579	6-HEAD NUT	4
15	136128	+HOLDER (FLOLW DIV..202)	1
16	012537	SHIM	1
17	026121	THREAD BOLT	1
18	010063	SPRING WASHER	2
19	010063	SPRING WASHER	2
20	011579	6-HEAD NUT	2
21	011514	6-HEAD SCREW	2
22	019302	HIGH PRESSURE HOSE	1
23	028616	ADJUSTABEL ANGEL BRACKET	2
24	028609	STRAIGHT SCREW-IN FITTING	2
25	028983	CARRIER VALVE	1
26	015749	PROFILE RING	2
27	015723	UNION NUT	2
28	132034	STEERING COVER	1
29	028621	ADJUSTABEL L-FITTING	1
30	011579	6-HEAD NUT	1
31	010063	SPRING WASHER	1
32	012537	SHIM	1
33	137500	HOLDER	1
34	011514	6-HEAD SCREW	1
35	143289	ANGLE C200	1
36	023652	LENS HEAD SCREW	2
37	011742	SPRING WASHER	2
38	011577	6-HEAD NUT	2
39	797763	ADJUSTING KNOB	1
40	136353	REWORK DRAWING FOR CARRIER DEVICE	1
41	136354	HYDRAULIC SWITCH PLATE	1

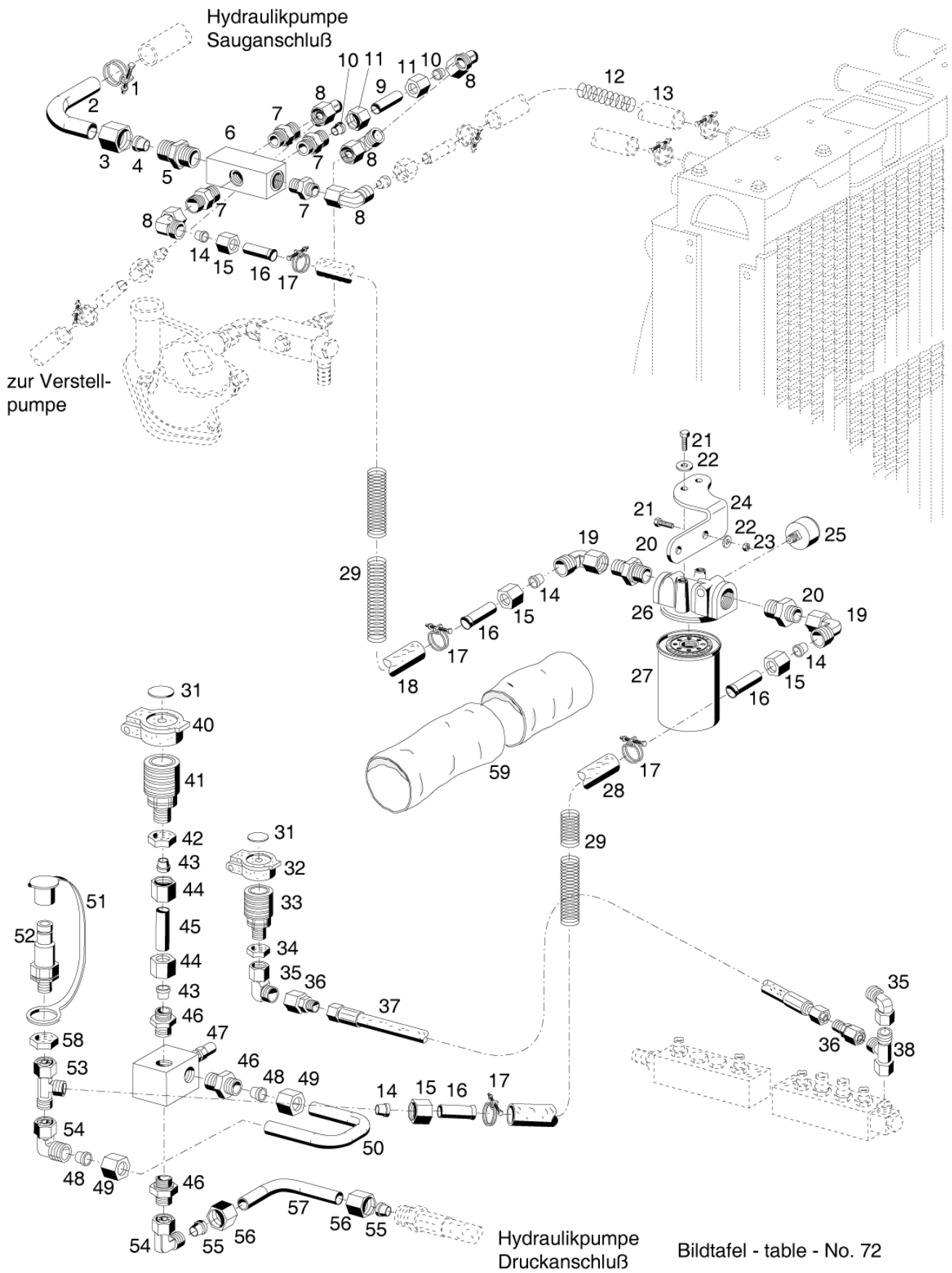


Bildtafel - table - No. 69

Multi-digital-069.ai

30.01.06

Item no.	Article no.	Description	Quantity
0	136341	hydraulic carring unit C300	1
1	023609	PRESSURE GAUGE CONNECTION	1
2	014765	SEAL	1
3	023505	THREADED NIPPLES	1
5	010102	6-HEAD NUT	1
6	028613	STRAIGHT SCREW-IN FITTING	1
9	019289	HIGH PRESSURE HOSE	1
10	132034	STEERING COVER	1
11	023815	6-HEAD SCREW	1
12	136268	+BASE	1
13	136293	HOLDER	1
14	012537	SHIM	2
15	010063	SPRING WASHER	2
16	011579	6-HEAD NUT	3
17	011579	6-HEAD NUT	6
18	012537	SHIM	4
19	010044	SHIM	2
20	136585	CLAMP THREAD ROD	2
21	011175	6-HEAD SCREW	2
22	010063	SPRING WASHER	1
23	011579	6-HEAD NUT	1
24	028983	CARRIER VALVE	1
25	028609	STRAIGHT SCREW-IN FITTING	1
26	028616	ADJUSTABEL ANGEL BRACKET	1
27	028609	STRAIGHT SCREW-IN FITTING	1
28	025238	HIGH PRESSURE HOSE	1
29	028616	ADJUSTABEL ANGEL BRACKET	1
30	028621	ADJUSTABEL L-FITTING	1
32	022568	6-HEAD SCREW	2
33	137500	HOLDER	1
34	137503	BASE C300	1
35	012537	SHIM	2
36	010063	SPRING WASHER	2
37	011579	6-HEAD NUT	3
38	011521	6-HEAD SCREW	1
39	010063	SPRING WASHER	1
40	012537	SHIM	1
41	797763	ADJUSTING KNOB	1
42	137205	REWORK DRAWING f. FLOW-DIVIDER	1
43	136354	HYDRAULIC SWITCH PLATE	1

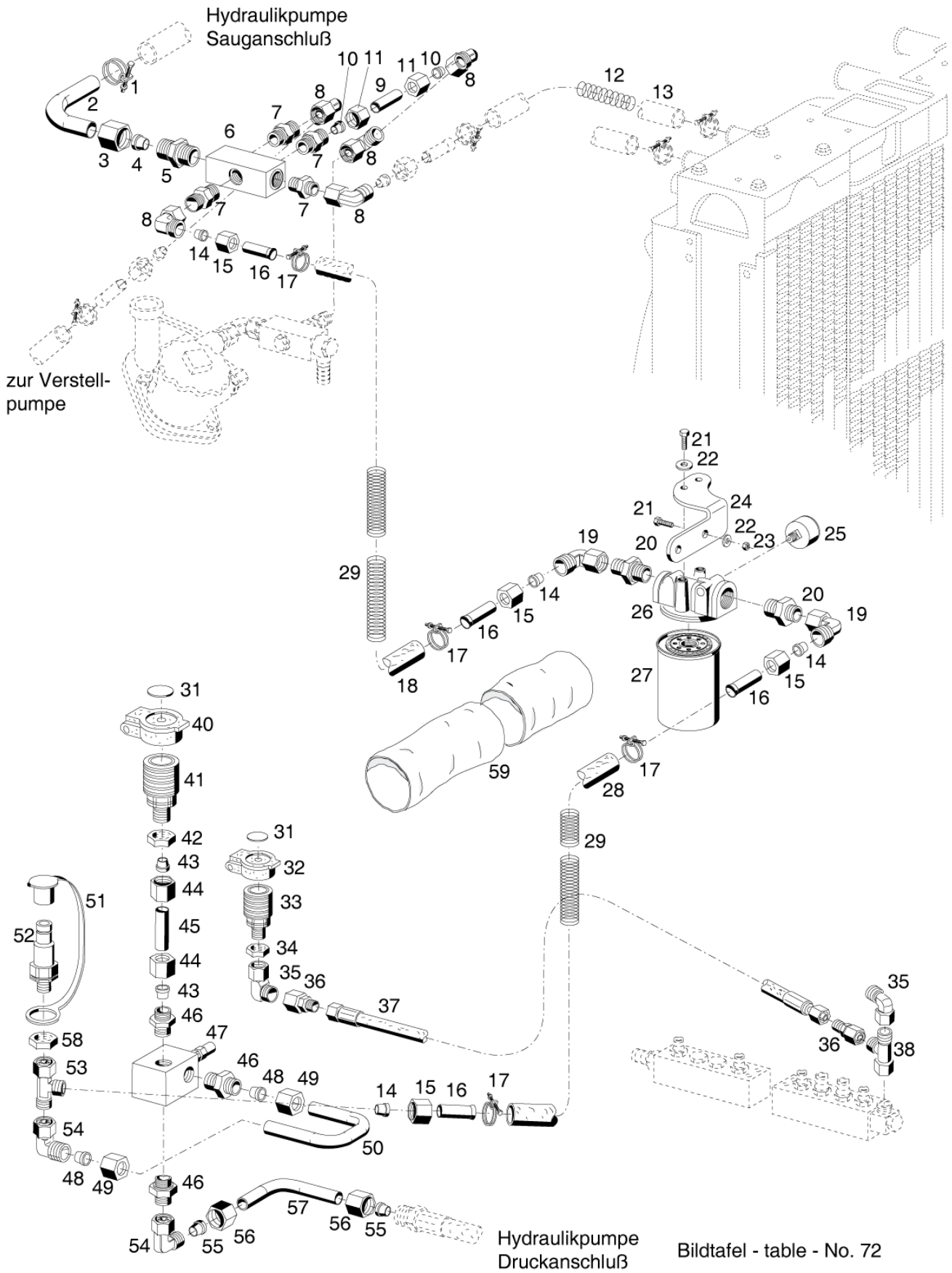


Bildtafel - table - No. 72

Multi-digital-072.ai

08.03.01

Item no.	Article no.	Description	Quantity
0	136752	INTEGRATED ADJUSTABLE ACCESSORIES HYDRAULIC PUMP	1
1	010931	WIRE BAR CLAMP	1
2	134868	ELBOW	1
3	015724	UNION NUT	1
4	015750	PROFILE RING	1
5	028597	STRAIGHT SCREW-IN FITTING	1
6	135022	DISTRIBUTOR PIPE	1
7	028610	STRAIGHT SCREW-IN FITTING	4
8	028624	ADJUTABEL ANGEL BRACKET	5
9	023197	PIPE	1
10	015752	PROFILE RING	2
11	015727	UNION NUT	2
12	013652	PRESSURE SPRING	1
13	029094	+HOSE	1
14	015752	PROFILE RING	4
15	015727	UNION NUT	4
16	132073	PIPE	4
17	023132	WIRE BAR CLAMP	4
18	026753	026753	1
19	028624	ADJUTABEL ANGEL BRACKET	2
20	028625	STRAIGHT SCREW-IN FITTING	2
21	011509	6-HEAD SCREW	4
22	012537	SHIM	4
23	011579	6-HEAD NUT	2
24	136570	OIL FILTER BRACKET	1
25	029089	PRESSURE GAUGE	1
26	136569	FILTER	1
27	029088	+REPLACEMENT CARTRIDGE	1
28	028745	+RETURN HOSE	1
29	026885	PRESSURE SPRING	2
31	027956	CLIP FOR DUST PROTECTOR COVER	1
31a	027957	Clip for dust protector cover black	1
31b	027958	Clip for dust protector cover blue	1
31c	027959	Clip for dust protector cover green	1
31d	027960	Clip for dust protector cover yellow	1
32	028217	DUST PROTECTION COVER	1
33	027954	LOCKING MUFFLE WITH DUST PROTECTION COVER	1
34	016205	6-HEAD NUT	1
35	028615	ADJUTABEL ANGEL BRACKET	2
36	028618	REDUCING NOZZLE	2
37	019287	HIGH PRESSURE HOSE	1
38	028617	ADJUSTABEL L-FITTING	1
40	028218	DUST PROTECTION COVER	1
41	027968	LOCKING MUFFLE WITH DUST PROTECTION COVER	1
42	010103	6-HEAD NUT	1
43	015752	PROFILE RING	2
44	015727	UNION NUT	2
45	023197	PIPE	1
46	028603	STRAIGHT SCREW-IN FITTING	3
47	029087	PRESSURE RELIEF VALVE	1
48	015752	PROFILE RING	2

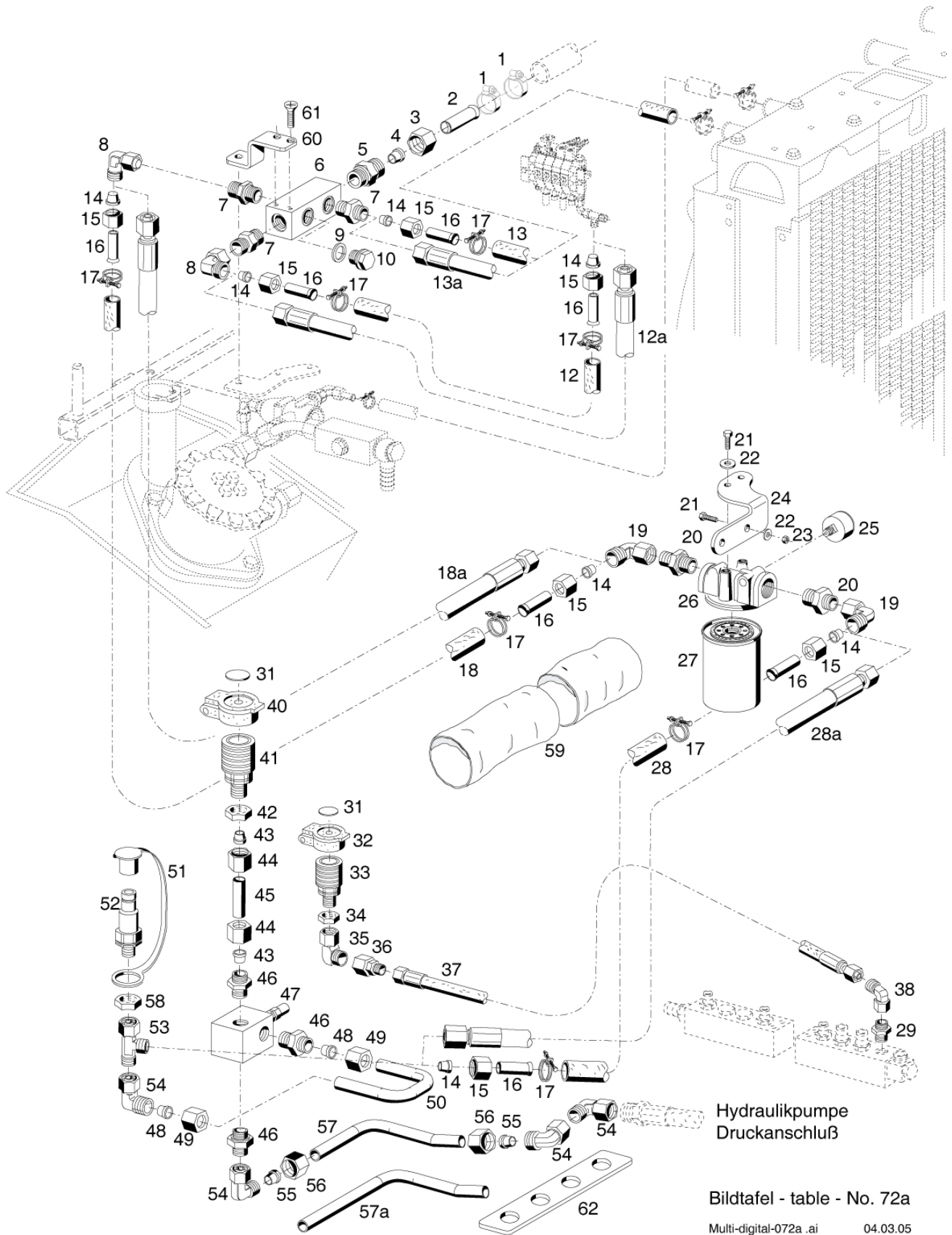


Bildtafel - table - No. 72

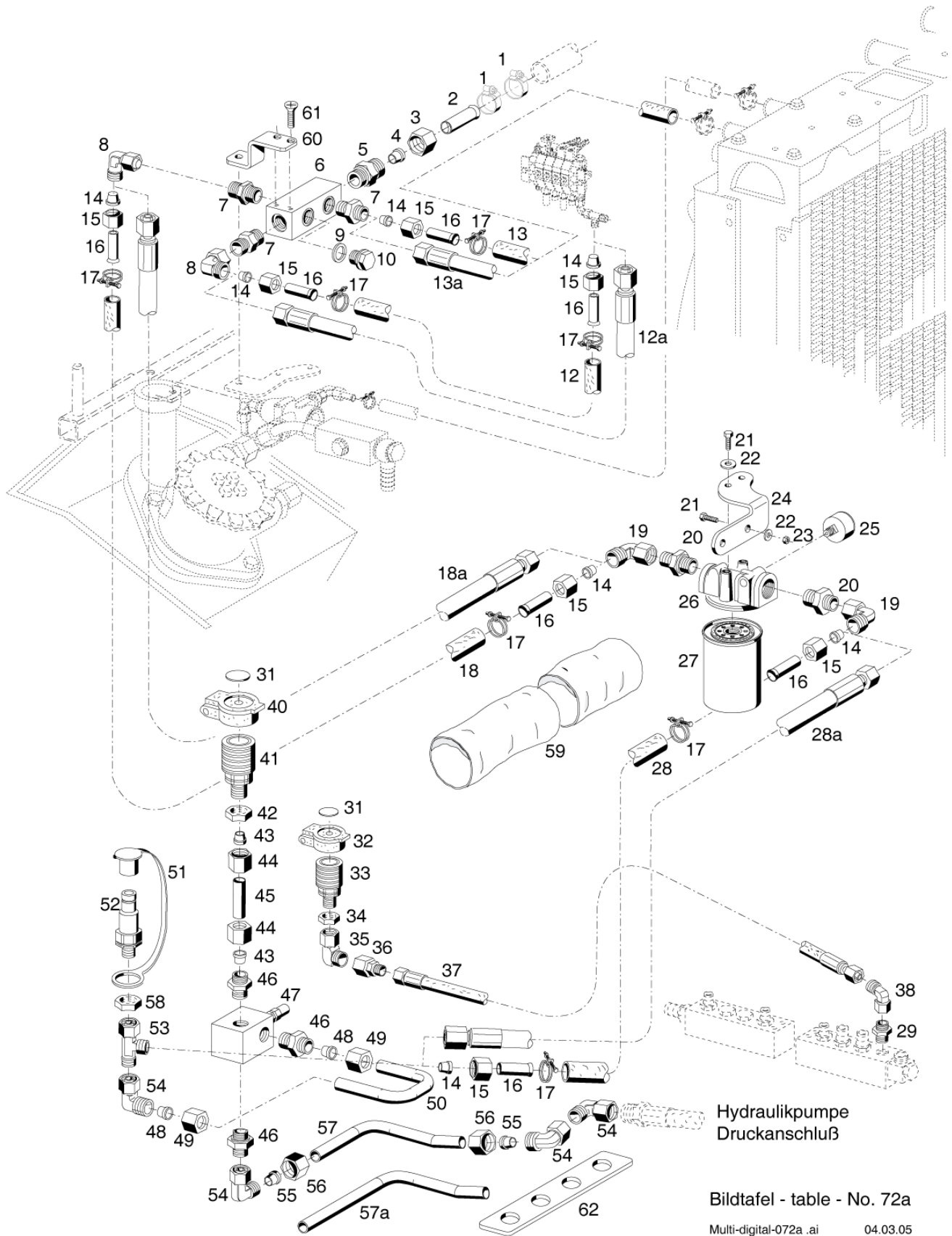
Multi-digital-072.ai

08.03.01

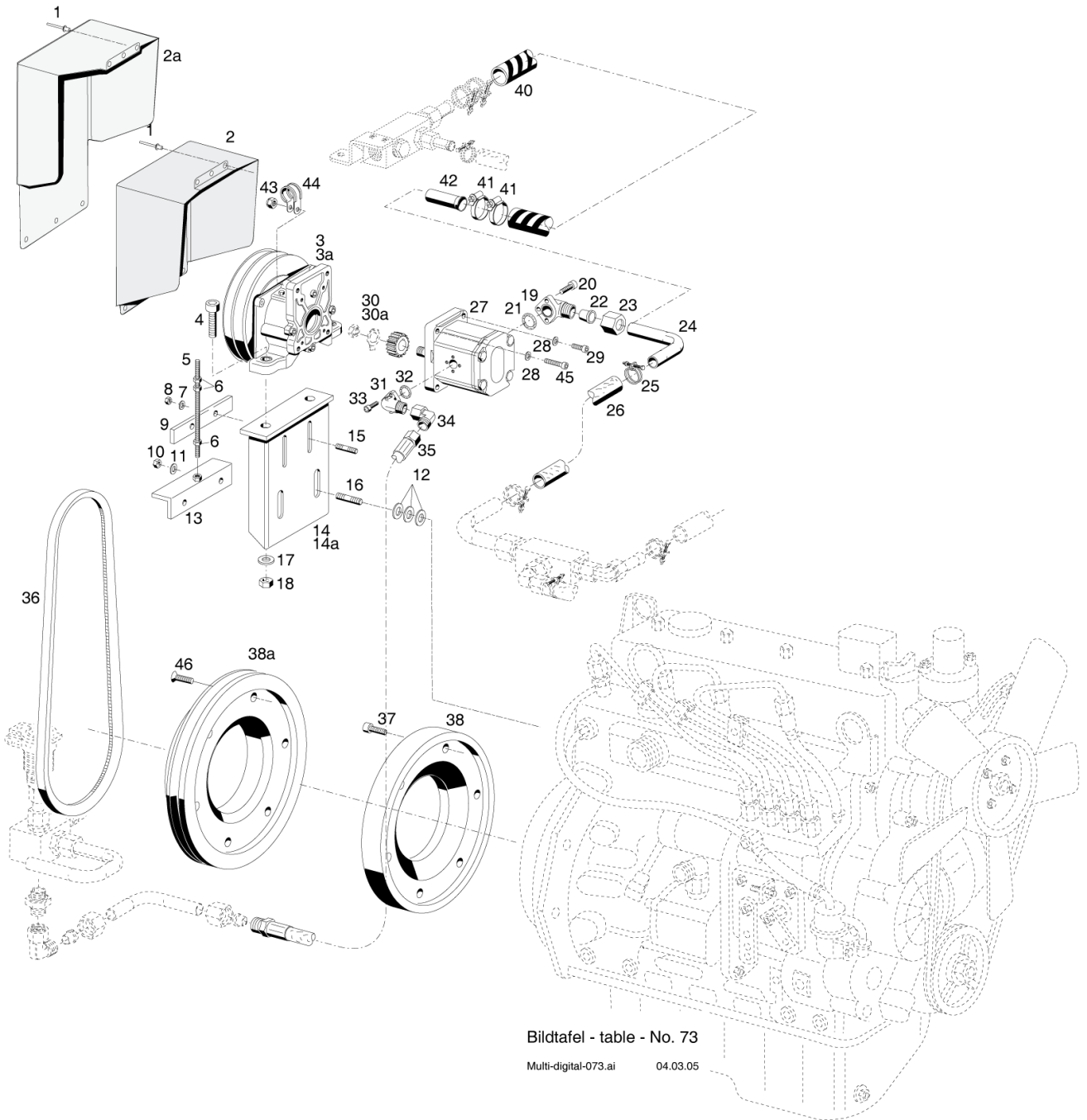
Item no.	Article no.	Description	Quantity
49	015727	UNION NUT	2
50	136571	ELBOW	1
51	027976	DUST COVER FOR PLUG RED	1
52	029105	PLUG	1
53	028620	ADJUSTABEL L-FITTING	1
54	028624	ADJUTABEL ANGEL BRACKET	2
55	015752	PROFILE RING	2
56	015727	UNION NUT	2
57	133917	RETURN LINE	1
58	010103	6-HEAD NUT	1
59	029107	PROTECTIVE HOSE	1



Item no.	Article no.	Description	Quantity
0	136752	INTEGRATED ADJUSTABLE ACCESSORIES HYDRAULIC PUMP	1
1	030721	HOSE CLAMP	2
2	139273	PIPE	1
3	015724	UNION NUT	1
4	015750	PROFILE RING	1
5	028597	STRAIGHT SCREW-IN FITTING	1
6	135022	DISTRIBUTOR PIPE	1
7	028610	STRAIGHT SCREW-IN FITTING	3
8	028624	ADJUTABEL ANGEL BRACKET	2
9	010401	GASKET RING	1
10	010407	LOCKING SCREW	1
12	029095	+HOSE	1
12a	030429	LOW PRESSURE HOSE	1
13	029473	+RETURN HOSE	1
13a	030422	LOW PRESSURE HOSE	1
14	015752	PROFILE RING	7
15	015727	UNION NUT	7
16	132073	PIPE	7
17	023132	WIRE BAR CLAMP	7
18	026595	+RETURN HOSE	1
18a	030430	LOW PRESSURE HOSE	1
19	028624	ADJUTABEL ANGEL BRACKET	2
20	028625	STRAIGHT SCREW-IN FITTING	2
21	011509	6-HEAD SCREW	4
22	012537	SHIM	4
23	011579	6-HEAD NUT	2
24	136570	OIL FILTER BRACKET	1
25	029089	PRESSURE GAUGE	1
26	136569	FILTER	1
27	029088	+REPLACEMENT CARTRIDGE	1
28	028745	+RETURN HOSE	1
28a	030431	LOW PRESSURE HOSE	1
29	028609	STRAIGHT SCREW-IN FITTING	2
31	027956	CLIP FOR DUST PROTECTOR COVER	1
31a	027957	Clip for dust protector cover black	1
31b	027958	Clip for dust protector cover blue	1
31c	027959	Clip for dust protector cover green	1
31d	027960	Clip for dust protector cover yellow	1
32	028217	DUST PROTECTION COVER	1
33	027954	LOCKING MUFFLE WITH DUST PROTECTION COVER	1
34	016205	6-HEAD NUT	1
35	028615	ADJUTABEL ANGEL BRACKET	1
36	028618	REDUCING NOZZLE	1
37	019287	HIGH PRESSURE HOSE	1
38	028616	ADJUSTABEL ANGEL BRACKET	1
40	028218	DUST PROTECTION COVER	1
41	027968	LOCKING MUFFLE WITH DUST PROTECTION COVER	1
42	010103	6-HEAD NUT	1
43	015752	PROFILE RING	2
44	015727	UNION NUT	2
45	023197	PIPE	1



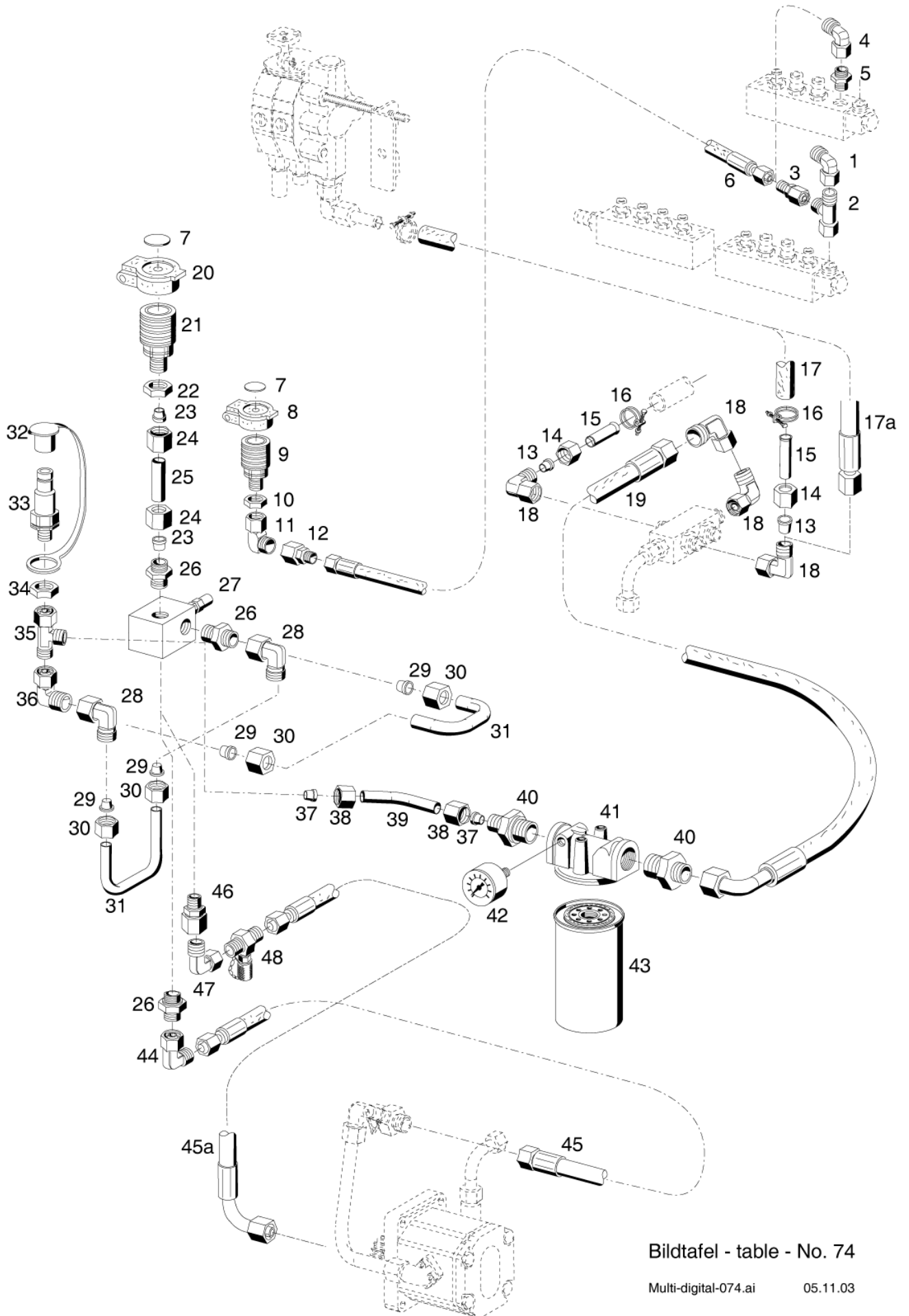
Item no.	Article no.	Description	Quantity
46	028603	STRAIGHT SCREW-IN FITTING	3
47	029087	PRESSURE RELIEF VALVE	1
48	015752	PROFILE RING	2
49	015727	UNION NUT	2
50	136571	ELBOW	1
51	027976	DUST COVER FOR PLUG RED	1
52	029105	PLUG	1
53	028620	ADJUSTABEL L-FITTING	1
54	028624	ADJUTABEL ANGEL BRACKET	4
55	015752	PROFILE RING	2
56	015727	UNION NUT	2
57	133329	RETURN LINE	1
57a	141514	PIPE	1
58	010103	6-HEAD NUT	1
59	029107	PROTECTIVE HOSE	1
60	139263	HOLDER	1
61	028256	COUNTERSUNK SCREW	2
62	137964	PERFORATED STRIP	1



Bildtafel - table - No. 73

Multi-digital-073.ai 04.03.05

Item no.	Article no.	Description	Quantity
1	016638	BLANK RIVET	6
1a	143766	=RETROFIT KIT F. DEVICE PUMP C200	1
2	136567	+PUMP COVER	1
2a	142636	PUMP COVER	1
3	136561	PUMP BEARING	1
3a	139195	PUMP BEARING WITH ELECTRIC CLUTCH -	1
4	029023	INNER-6-HEAD SCREW	2
5	136585	CLAMP THREAD ROD	1
6	011579	6-HEAD NUT	3
7	010063	SPRING WASHER	2
8	011579	6-HEAD NUT	2
9	136565	BRACER	1
10	011585	6-HEAD NUT	2
11	010064	SPRING WASHER	2
12	010046	SHIM	6
13	136573	TENSIONING BRACKET	1
14	136562	PUMP RETAINER	1
14a	142634	PUMP SUPPORTER	1
15	011609	STUD SCREW	2
16	029141	STUD SCREW	2
17	010066	SPRING WASHER	2
18	011594	6-HEAD NUT	2
19	029037	ANGLE FLANGE SCREW CONNECTION	1
20	011052	INNER-6-HEAD SCREW	3
21	014753	O-RING SEAL	1
22	015750	PROFILE RING	1
23	015724	UNION NUT	1
24	134868	ELBOW	1
25	030721	HOSE CLAMP	1
26	029106	+HOSE D7/8"	1
27	136680	GEAR PUMP	1
28	010063	SPRING WASHER	4
29	011052	INNER-6-HEAD SCREW	4
30	136681	CLUTCH SLEEVE	1
30a	139196	CLUTCH LEVER	1
31	136572	ANGLE FLANGE SCREW CONNECTION	1
32	029216	O-RING SEAL	1
33	022858	INNER-6-HEAD SCREW	3
34	028624	ADJUTABEL ANGEL BRACKET	1
35	028065	EXTREME PRESSURE HOSE	1
36	029022	NARROW V-BELT	2
37	011206	INNER-6-HEAD SCREW	6
38	136560	V-BELT FLYWHEEL MASS	1
38a	143005	2 GROOVE FLYWHEEL MASS	1
40	029471	HOSE	1
41	030721	HOSE CLAMP	2
42	139273	PIPE	1
43	011935	6-HEAD NUT	1
44	026557	PIPE CLAMP WITH RUBBER PROFILE	1
45	011052	INNER-6-HEAD SCREW	1
46	012592	COUNTERSUNK SOCKET SCREW	6

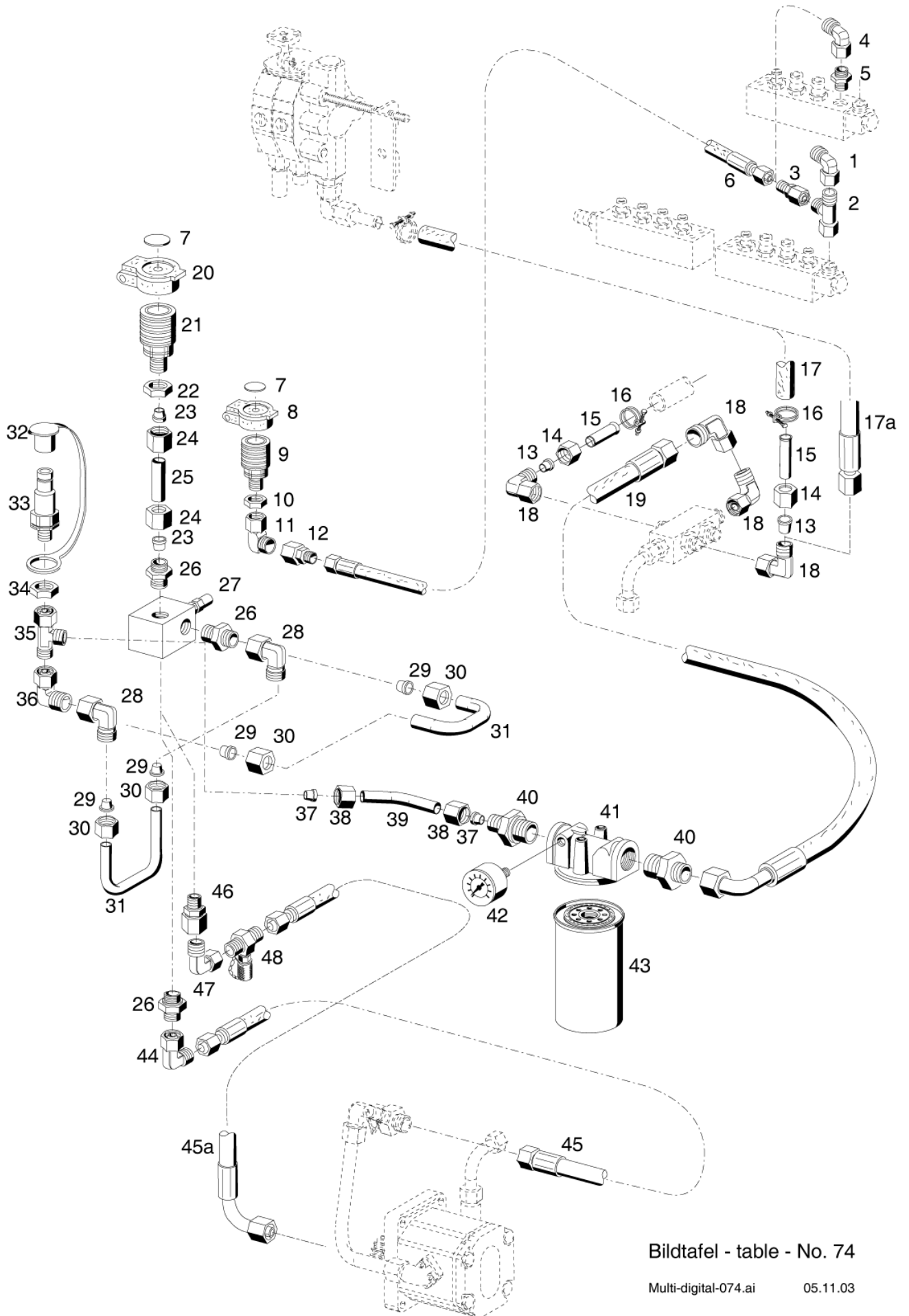


Bildtafel - table - No. 74

Multi-digital-074.ai

05.11.03

Item no.	Article no.	Description	Quantity
0	136753	hydraulic pump	1
1	028615	ADJUTABEL ANGEL BRACKET	1
2	028617	ADJUSTABEL L-FITTING	1
3	028618	REDUCING NOZZLE	1
4	028616	ADJUSTABEL ANGEL BRACKET	1
5	028609	STRAIGHT SCREW-IN FITTING	1
6	025239	HIGH PRESSURE HOSE	1
7	027956	CLIP FOR DUST PROTECTOR COVER	1
7a	027957	Clip for dust protector cover black	1
7b	027958	Clip for dust protector cover blue	1
7c	027959	Clip for dust protector cover green	1
7d	027960	Clip for dust protector cover yellow	1
8	028217	DUST PROTECTION COVER	1
9	027954	LOCKING MUFFLE WITH DUST PROTECTION COVER	1
10	016205	6-HEAD NUT	1
11	028615	ADJUTABEL ANGEL BRACKET	1
12	028618	REDUCING NOZZLE	1
13	015752	PROFILE RING	3
14	015727	UNION NUT	3
15	132073	PIPE	3
16	023132	WIRE BAR CLAMP	4
17	029226	HOSE	1
17a	030433	LOW PRESSURE HOSE	1
18	028624	ADJUTABEL ANGEL BRACKET	4
19	026693	HOSE LINE	1
20	028218	DUST PROTECTION COVER	1
21	027968	LOCKING MUFFLE WITH DUST PROTECTION COVER	1
22	010103	6-HEAD NUT	1
23	015752	PROFILE RING	2
24	015727	UNION NUT	2
25	023197	PIPE	1
26	028603	STRAIGHT SCREW-IN FITTING	2
27	029087	PRESSURE RELIEF VALVE	1
28	028624	ADJUTABEL ANGEL BRACKET	2
29	015752	PROFILE RING	2
30	015727	UNION NUT	2
31	136571	ELBOW	1
32	027976	DUST COVER FOR PLUG RED	1
33	029105	PLUG	1
34	010103	6-HEAD NUT	1
35	028620	ADJUSTABEL L-FITTING	1
36	028624	ADJUTABEL ANGEL BRACKET	1
37	015752	PROFILE RING	2
38	015727	UNION NUT	2
39	133777	PIPE	1
40	028625	STRAIGHT SCREW-IN FITTING	2
41	136569	FILTER	1
42	029089	PRESSURE GAUGE	1
43	029088	+REPLACEMENT CARTRIDGE	1
44	028624	ADJUTABEL ANGEL BRACKET	1
45	028177	HIGH PRESSURE HOSE	1

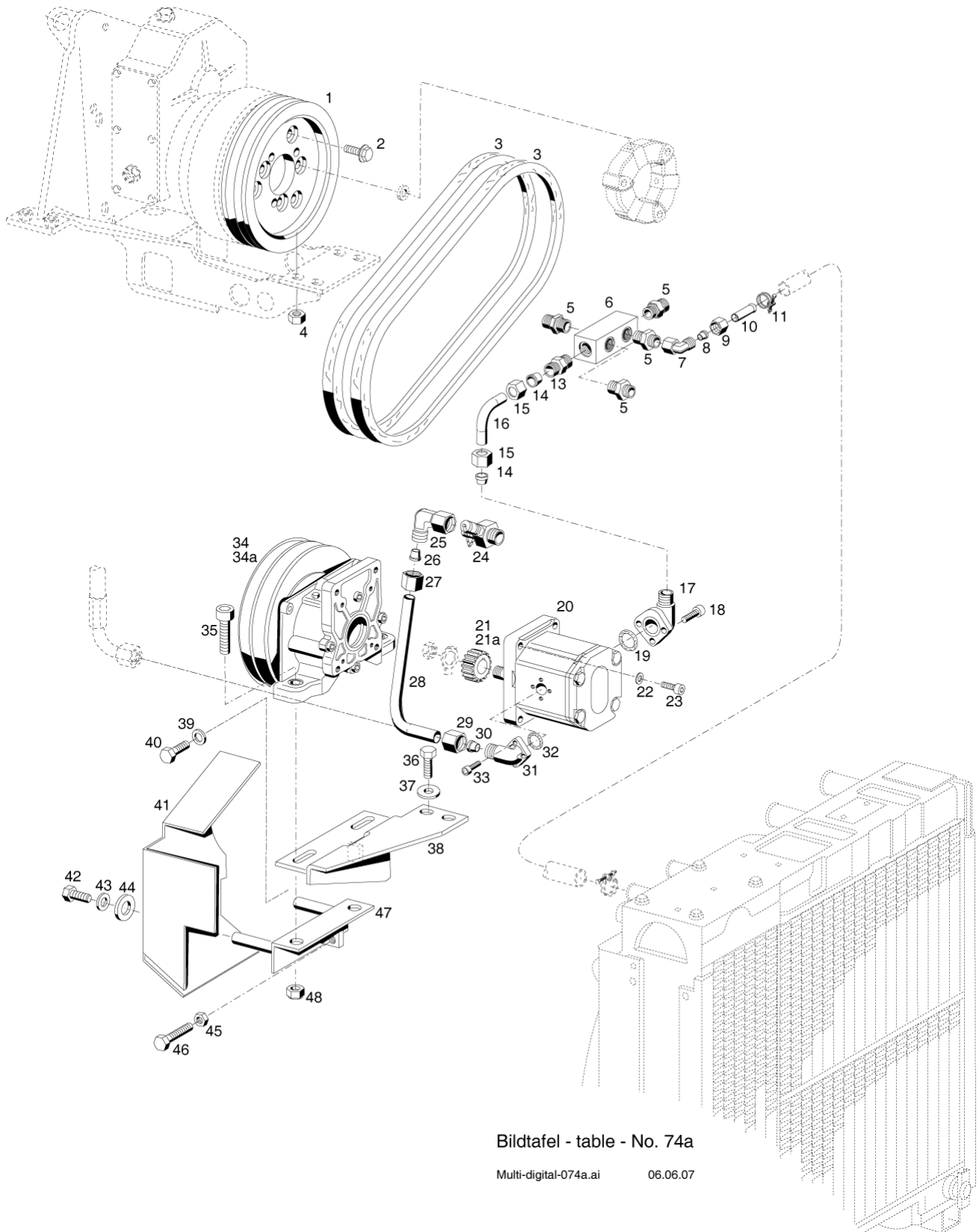


Bildtafel - table - No. 74

Multi-digital-074.ai

05.11.03

Item no.	Article no.	Description	Quantity
45a	027912	HOSE LINE	1
46	030684	STRAIGHT MALE CONNECTING PIPE	1
47	028624	ADJUTABEL ANGEL BRACKET	1
48	027833	MEASURING SCREW	1

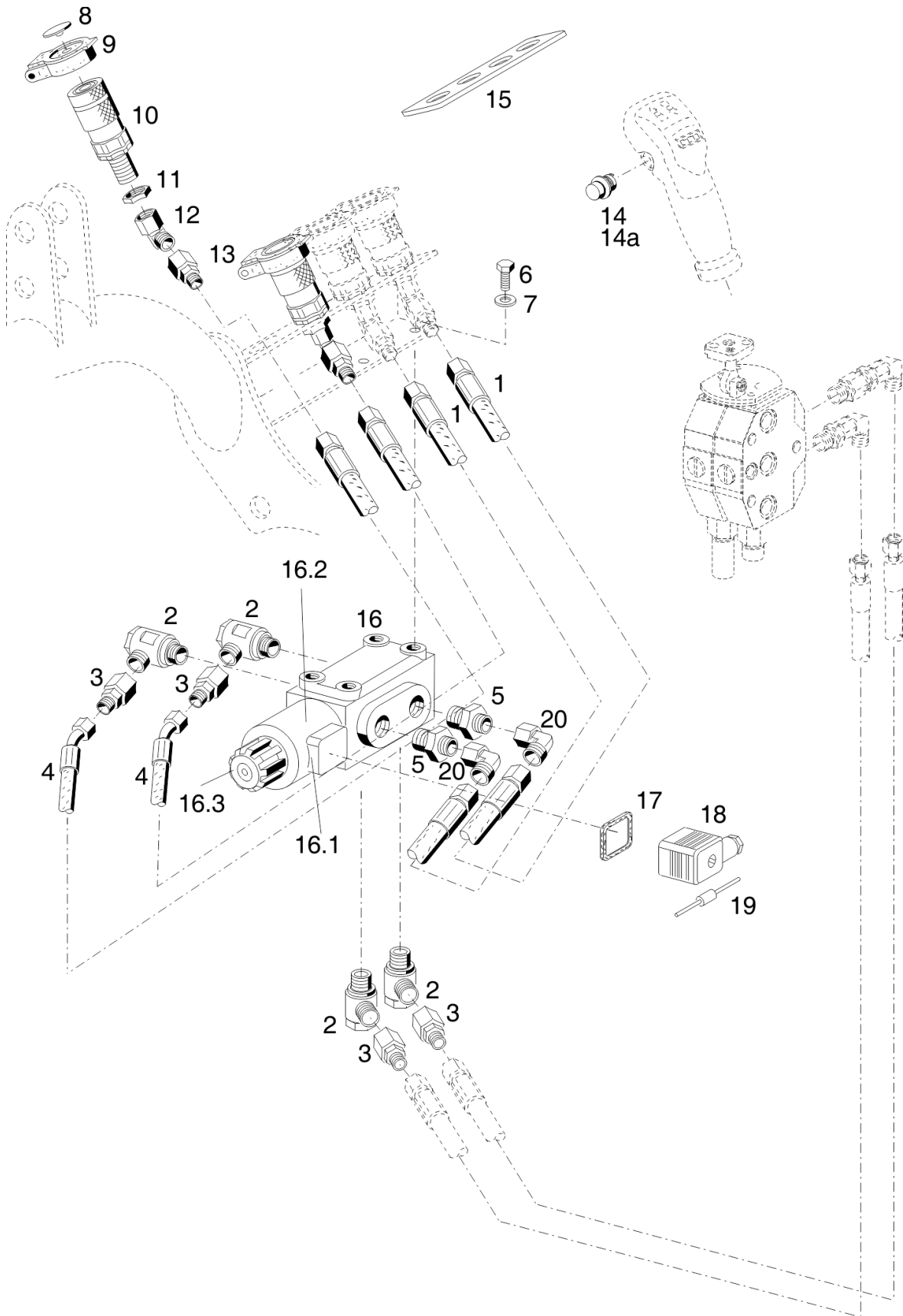


Bildtafel - table - No. 74a

Multi-digital-074a.ai

06.06.07

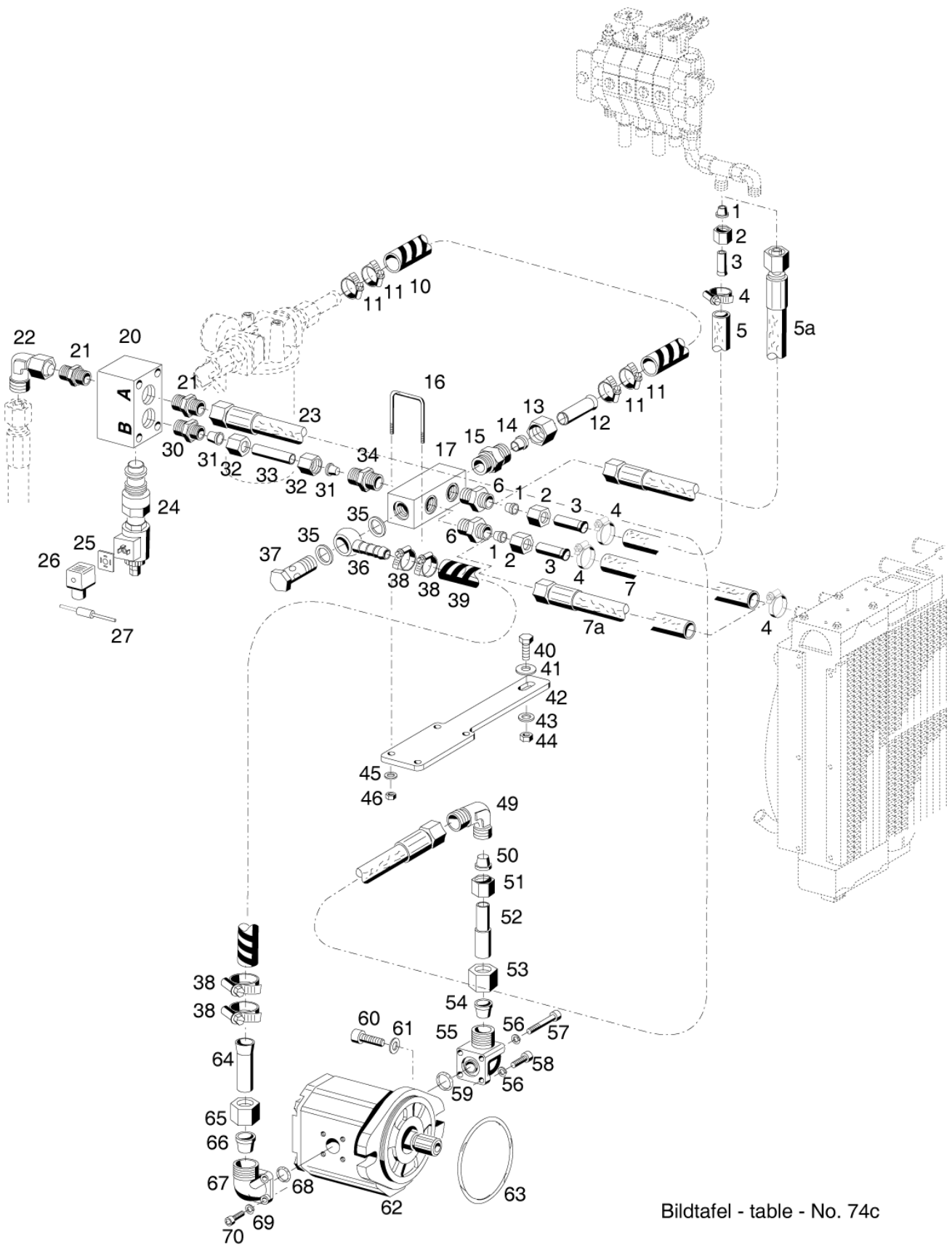
Item no.	Article no.	Description	Quantity
1	137752	-BELT PULLEY 2-GROOVED	1
2	029214	SAFETY SCREW	3
3	029250	NARROW V-BELT C345	2
4	024184	6-HEAD NUT	4
5	028610	STRAIGHT SCREW-IN FITTING	4
6	135022	DISTRIBUTOR PIPE	1
7	028624	ADJUTABEL ANGEL BRACKET	1
8	015752	PROFILE RING	1
9	015727	UNION NUT	1
10	132073	PIPE	1
11	023132	WIRE BAR CLAMP	1
13	028597	STRAIGHT SCREW-IN FITTING	1
14	015750	PROFILE RING	2
15	015724	UNION NUT	2
16	137764	-ELBOW C345	1
17	029037	ANGLE FLANGE SCREW CONNECTION	1
18	011052	INNER-6-HEAD SCREW	3
19	014753	O-RING SEAL	1
20	136680	GEAR PUMP	1
21	136681	CLUTCH SLEEVE	1
21a	139196	CLUTCH LEVER	1
22	010063	SPRING WASHER	4
23	011052	INNER-6-HEAD SCREW	4
24	027833	MEASURING SCREW	1
25	028624	ADJUTABEL ANGEL BRACKET	1
26	015752	PROFILE RING	1
27	015727	UNION NUT	1
28	137762	+PIPE ELBOW	1
29	015727	UNION NUT	1
30	015752	PROFILE RING	1
31	136572	ANGLE FLANGE SCREW CONNECTION	1
32	029216	O-RING SEAL	1
33	022858	INNER-6-HEAD SCREW	3
34	136561	PUMP BEARING	1
34a	139195	PUMP BEARING WITH ELECTRIC CLUTCH -	1
35	029023	INNER-6-HEAD SCREW	2
36	011555	6-HEAD SCREW	2
37	029251	Screw washer	2
38	137743	-PUMP HOLDER ASSY. NL.	1
39	010064	SPRING WASHER	1
40	011525	6-HEAD SCREW	1
41	137751	-BELT GUARD C345	1
42	011525	6-HEAD SCREW	1
43	010064	SPRING WASHER	2
44	025055	SHIM	4
45	011585	6-HEAD NUT	1
46	011178	6-HEAD SCREW	1
47	137747	-CLAMPING DEVICE ASSY. NL.	1
48	024184	6-HEAD NUT	2



Bildtafel - table - No. 74b

Item no.	Article no.	Description	Quantity
0	138351	KIT, ELECTRIC DISTRIBUTION BLOCK	1
1	025238	HIGH PRESSURE HOSE	2
2	028637	ANGLE SWING SOCKET	4
3	028618	REDUCING NOZZLE	4
4	025164	HOSE LINE	2
5	028606	STRAIGHT SCREW-IN FITTING	2
6	011509	6-HEAD SCREW	2
7	010044	SHIM	2
8	027956	CLIP FOR DUST PROTECTOR COVER	1
8a	027957	Clip for dust protector cover black	1
8b	027958	Clip for dust protector cover blue	1
8c	027959	Clip for dust protector cover green	1
8d	027960	Clip for dust protector cover yellow	1
9	028217	DUST PROTECTION COVER	2
10	027954	LOCKING MUFFLE WITH DUST PROTECTION COVER	2
11	016205	6-HEAD NUT	2
12	028615	ADJUSTABEL ANGEL BRACKET	2
13	028618	REDUCING NOZZLE	2
14	029281	ELECTRICAL BUTTON YELLOW	1
14a	030240	ELECTRICAL BUTTON ORANGE	1
15	137964	PERFORATED STRIP	1
16	029366	SEAT VALVE	1
16.1	030540	SOLENOID COIL	1
16.2	030490	MAGNET	1
16.3	030491	MAGNETIC NUT	1
17	128432	GASKET	1
18	126318	CONNECTER 3-POLE	1
19	027136	DIODE BY 254	1
20	028616	ADJUSTABEL ANGEL BRACKET	2

Item no.	Article no.	Description	Quantity
620	800743	POWER HYDRAULICS FOR SUMMERPARK, BASIC	1
630	800744	POWER HYDRAULICS FOR SUMMERPARK, BASIC	1
640	800745	HOSE SET REAR FOR ADJUSTABLE ACCESSORIES HYDRAULIC PUMP, C300	1
650	800746	POWER HYDRAULICS, C300, TILL 203 000 804	1
660	800747	POWER HYDRAULICS, C300, AS OF 203 000 805	1
670	800748	POWER HYDRAULICS, C300	1
680	800749	POWER HYDRAULICS, C200, TILL 202 002 061	1
690	800750	POWER HYDRAULICS, C200, AS OF 202 002 062	1
700	800751	POWER HYDRAULICS, C200	1
710	800752	HOSE SET REAR FOR ADJUSTABLE ACCESSORIES HYDRAULIC PUMP, C200	1
720	800753	HOSE SET REAR FOR POWER HYDRAULICS	1

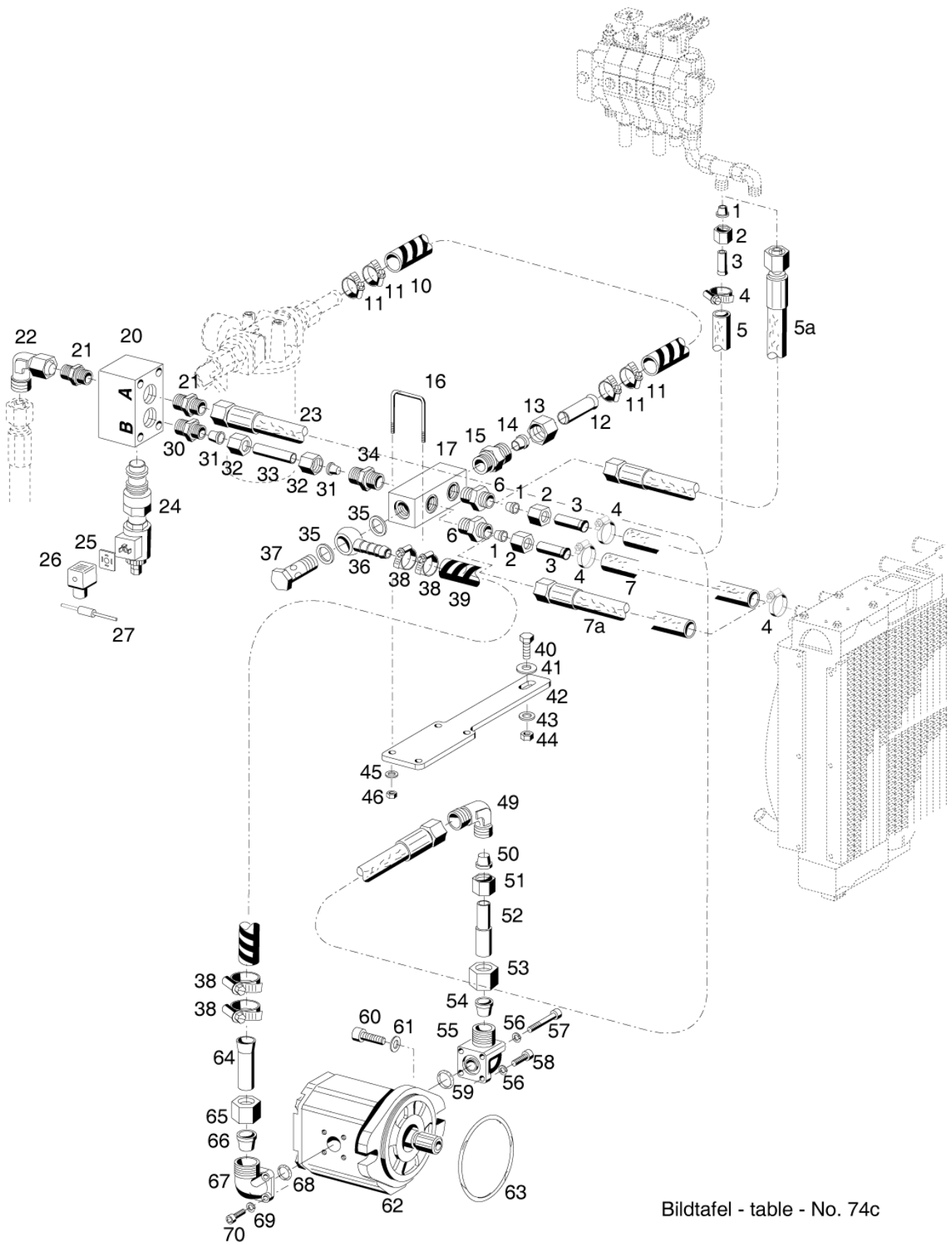


Bildtafel - table - No. 74c

Multi-digital-074c.ai

07.03.05

Item no.	Article no.	Description	Quantity
1	015752	PROFILE RING	3
2	015727	UNION NUT	3
3	132073	PIPE	3
4	030720	HOSE CLAMP	4
5	029981	029981	1
5a	030395	LOW PRESSURE HOSE	1
6	028610	STRAIGHT SCREW-IN FITTING	2
7	029134	HOSE	1
7a	030423	LOW-PRESSURE HOSE (PREASS.)	1
10	029979	029979	1
11	030721	HOSE CLAMP	4
12	139273	PIPE	1
13	015724	UNION NUT	1
14	015750	PROFILE RING	1
15	029058	STRAIGHT SCREW-IN FITTING	1
16	142095	BRACKET	2
17	136760	DISTRIBUTOR PIPE	1
20	029741	HOUSING	1
21	029092	STRAIGHT SCREW-IN FITTING	2
22	028601	ADJUTABEL ANGEL BRACKET	1
23	029984	HIGH PRESSURE HOSE	1
24	029740	PRESSURE RELIEF CARTIDGE	1
25	128432	GASKET	1
26	126318	CONNECTER 3-POLE	1
27	027136	DIODE BY 254	1
30	029092	STRAIGHT SCREW-IN FITTING	1
31	022531	PROFILE RING	2
32	022529	UNION NUT	2
33	141014	PIPE	1
34	015848	STRAIGHT SCREW-IN FITTING	1
35	010402	GASKET RING	2
36	029060	HOSE NIPPLE WITH ADAPTER	1
37	025294	HOLLOW SCREW	1
38	030721	HOSE CLAMP	4
39	029980	029980	1
40	011525	6-HEAD SCREW	1
41	025055	SHIM	1
42	142094	HOLDER	1
43	010064	SPRING WASHER	1
44	011585	6-HEAD NUT	1
45	011742	SPRING WASHER	4
46	011577	6-HEAD NUT	4
49	030017	ANGLE FITTING	1
50	022531	PROFILE RING	1
51	022529	UNION NUT	1
52	141009	PIPE	1
53	023796	UNION NUT	1
54	023797	PROFILE RING	1
55	029735	ANGLE FLANGE SCREW CONNECTION	1
56	010447	SPRING RING	4
57	029299	INNER-6-HEAD SCREW	2

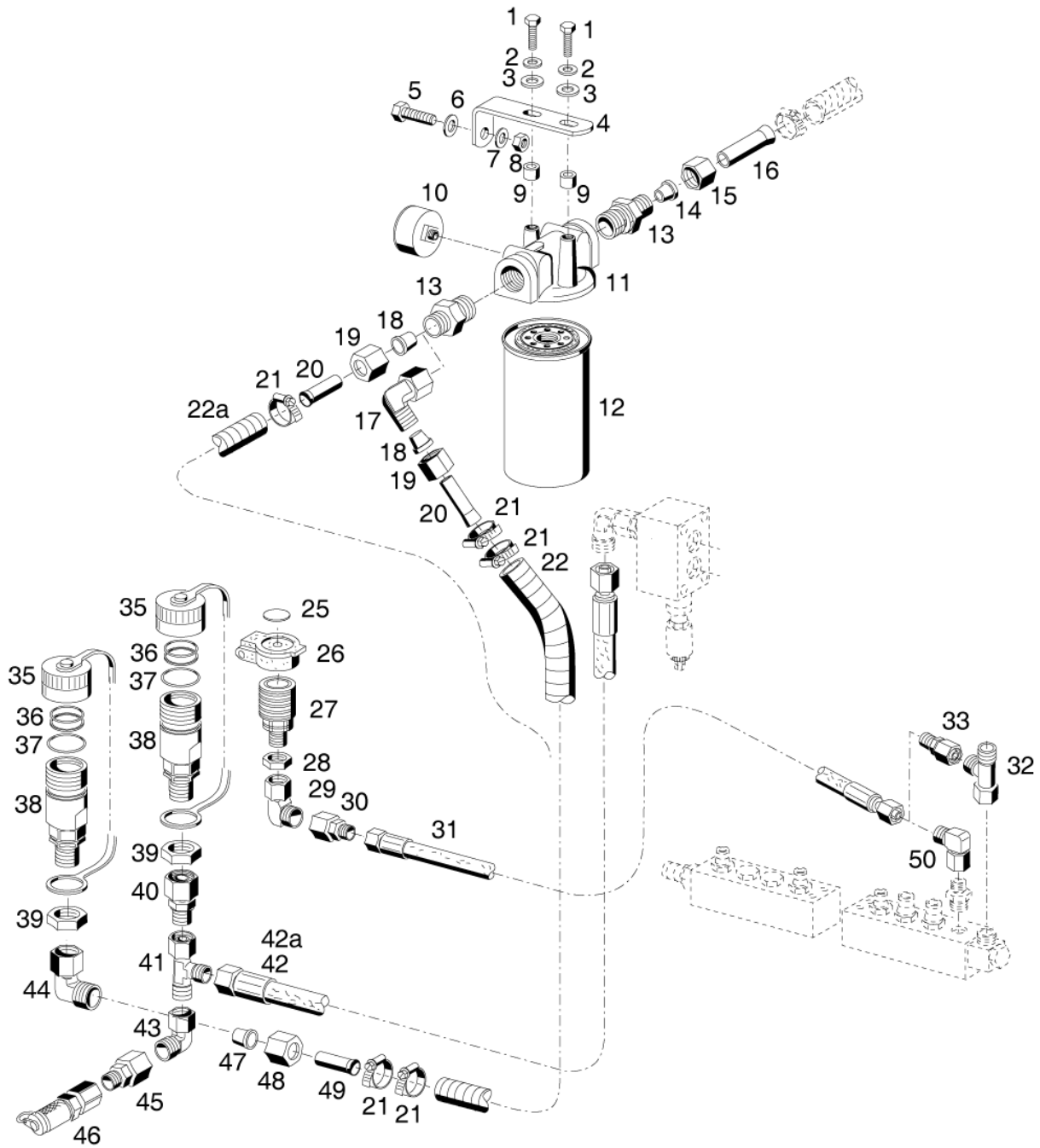


Bildtafel - table - No. 74c

Multi-digital-074c.ai

07.03.05

Item no.	Article no.	Description	Quantity
58	027827	INNER-6-HEAD SCREW	2
59	014744	O-RING SEAL	1
60	011214	INNER-6-HEAD SCREW	2
61	010046	SHIM	2
62	140974	GEAR PUMP	1
63	030244	O-RING SEAL	1
64	139273	PIPE	1
65	015724	UNION NUT	1
66	015750	PROFILE RING	1
67	015815	ANGLE FLANGE SCREW CONNECTION	1
68	014753	O-RING SEAL	1
69	010447	SPRING RING	4
70	027827	INNER-6-HEAD SCREW	4

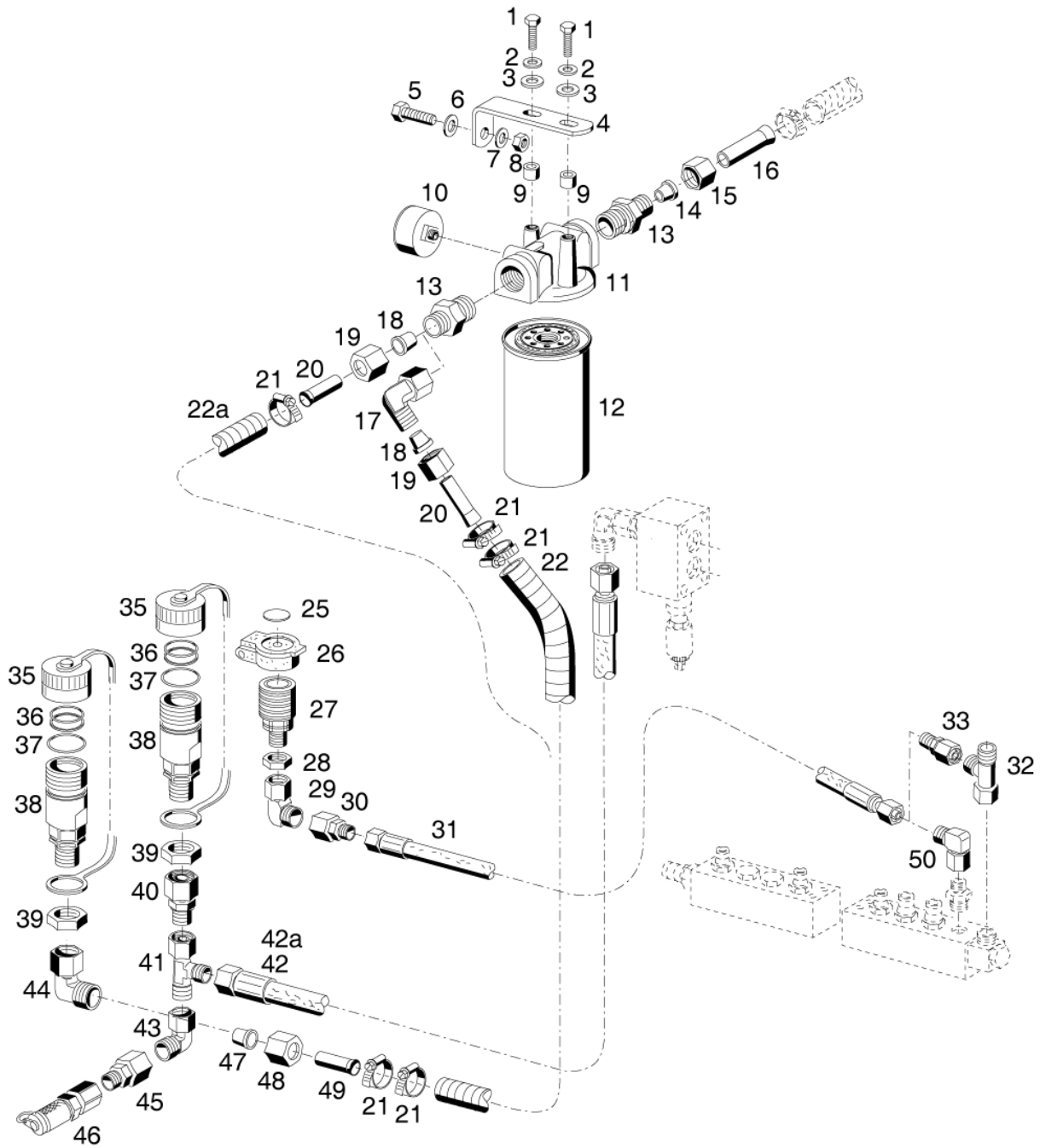


Bildtafel - table - No. 74d

Multi-digital-074d.ai

03.12.08

Item no.	Article no.	Description	Quantity
1	011509	6-HEAD SCREW	2
2	010063	SPRING WASHER	2
3	012537	SHIM	2
4	142093	OIL FILTER BRACKET	1
5	011525	6-HEAD SCREW	1
6	010046	SHIM	1
7	010064	SPRING WASHER	1
8	011585	6-HEAD NUT	1
9	014281	PIPE	2
10	029089	PRESSURE GAUGE	1
11	136569	FILTER	1
12	029088	+REPLACEMENT CARTRIDGE	1
13	028597	STRAIGHT SCREW-IN FITTING	2
14	015750	PROFILE RING	1
15	015724	UNION NUT	1
16	139273	PIPE	1
17	029055	ADJUTABEL ANGEL BRACKET	1
18	015750	PROFILE RING	1
19	015724	UNION NUT	1
20	139273	PIPE	1
21	030721	HOSE CLAMP	4
22	029978	029978	1
22a	030638	RETURN FLOW HOSE	1
25	027956	CLIP FOR DUST PROTECTOR COVER	1
25a	027957	Clip for dust protector cover black	1
25b	027958	Clip for dust protector cover blue	1
25c	027959	Clip for dust protector cover green	1
25d	027960	Clip for dust protector cover yellow	1
26	028217	DUST PROTECTION COVER	1
27	027954	LOCKING MUFFLE WITH DUST PROTECTION COVER	1
28	016205	6-HEAD NUT	1
29	028615	ADJUTABEL ANGEL BRACKET	1
30	028618	REDUCING NOZZLE	1
31	019287	HIGH PRESSURE HOSE	1
32	028617	ADJUSTABEL L-FITTING	1
33	028618	REDUCING NOZZLE	1
35	028363	DUST COVER FOR MUFFLE RED	2
36	028551	GASKET KIT FOR LOCK SLEEVE	1
37	028552	O-RING SEAL	2
38	029738	SRVK-MUFFELE	2
39	030185	6-HEAD NUT	2
40	029745	REDUCING NOZZLE	1
41	029811	ADJUSTABEL L-FITTING	1
42	029984	HIGH PRESSURE HOSE	1
42a	030922	HIGH PRESSURE HOSE (PREASS.)	1
43	028601	ADJUTABEL ANGEL BRACKET	1
44	029055	ADJUTABEL ANGEL BRACKET	1
45	029754	REDUCING NOZZLE	1
46	029133	BRASS RING	1
47	015750	PROFILE RING	1
48	015724	UNION NUT	1

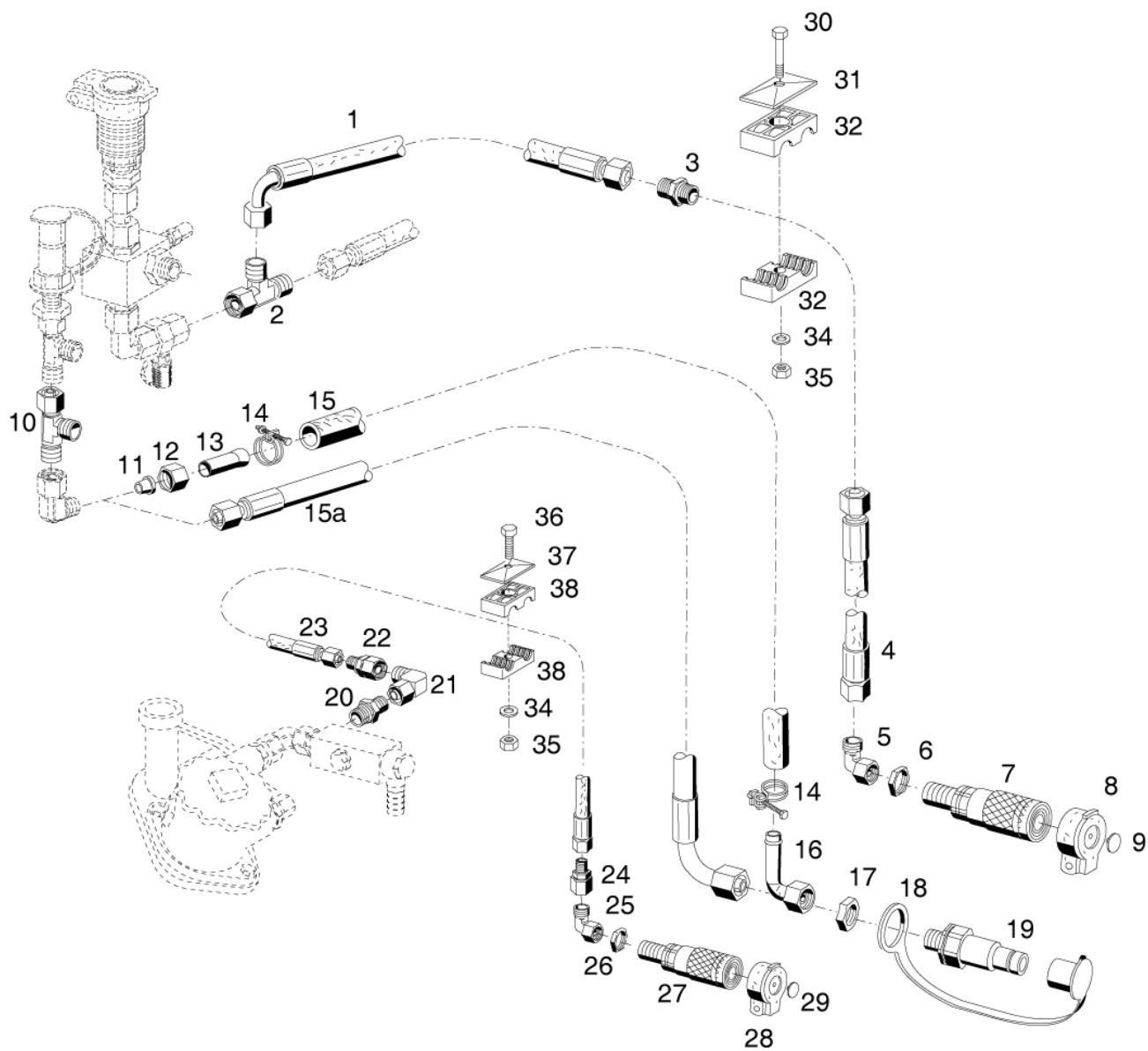


Bildtafel - table - No. 74d

Multi-digital-074d.ai

03.12.08

Item no.	Article no.	Description	Quantity
49	139273	PIPE	1
50	028616	ADJUSTABEL ANGEL BRACKET	1

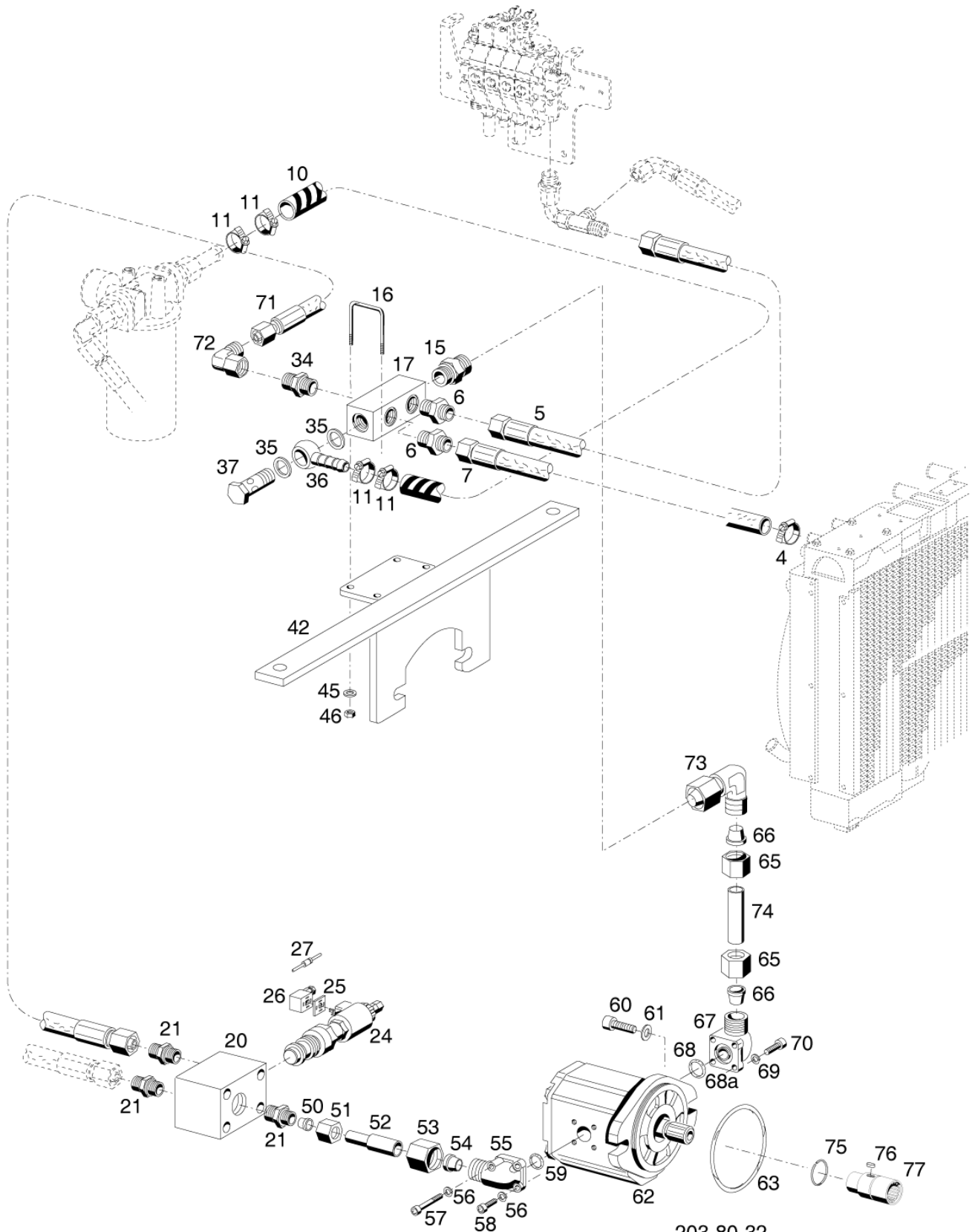


Bildtafel - table - No. 74e

Multi-digital-074e.ai

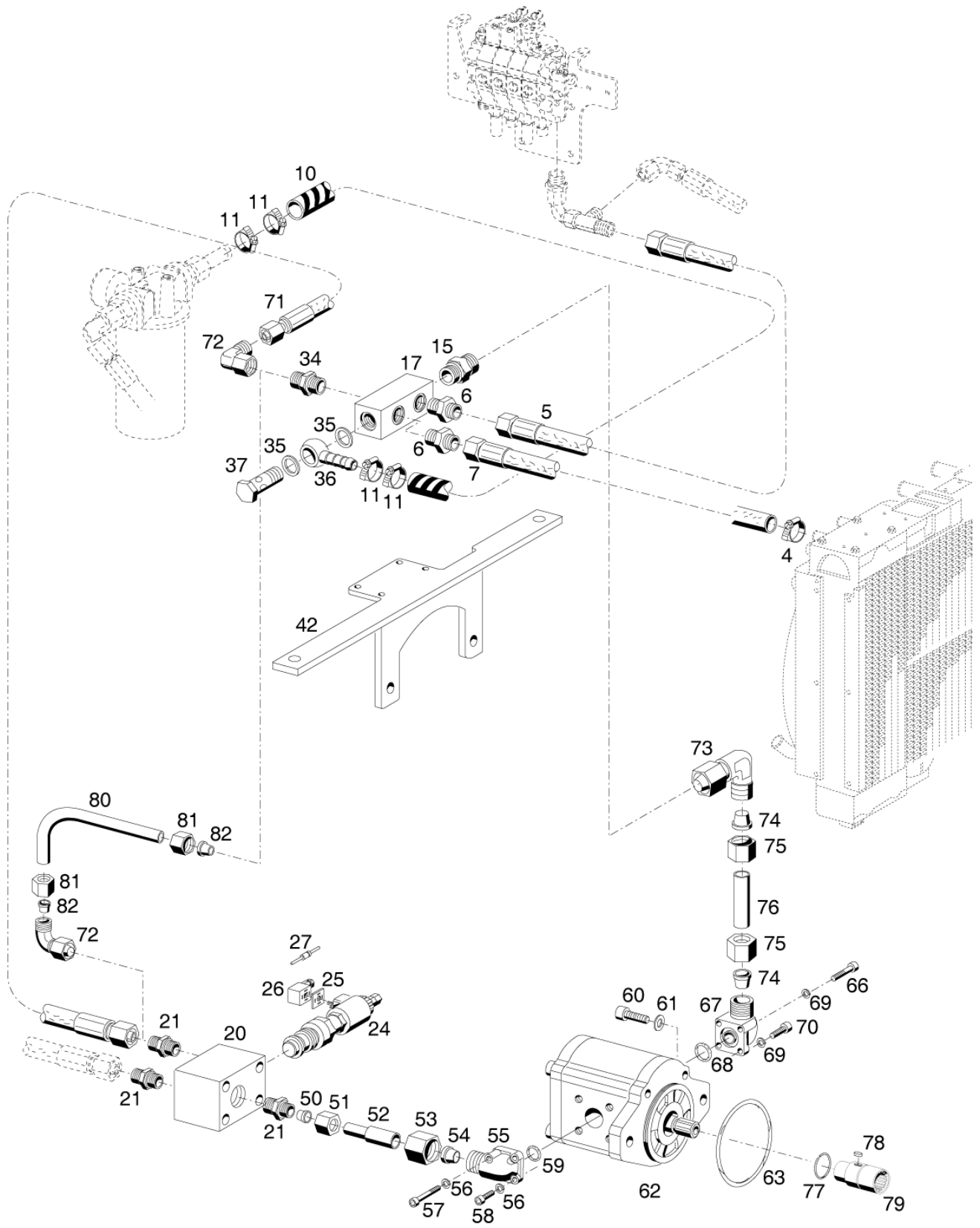
05.11.03

Item no.	Article no.	Description	Quantity
0	140987	HOSE SET REAR FOR ADJUSTABLE ACCESSORIES HYDRAULIC PUMP	1
1	126705	HOSE LINE	1
2	028620	ADJUSTABEL L-FITTING	1
3	028642	STRAIGHT NOZZLE	1
4	028065	EXTREME PRESSURE HOSE	1
5	028624	ADJUTABEL ANGEL BRACKET	1
6	010103	6-HEAD NUT	1
7	027968	LOCKING MUFFLE WITH DUST PROTECTION COVER	1
8	028218	DUST PROTECTION COVER	1
9	027957	Clip for dust protector cover black	1
10	028620	ADJUSTABEL L-FITTING	1
11	015752	PROFILE RING	1
12	015727	UNION NUT	1
13	132073	PIPE	1
14	023132	WIRE BAR CLAMP	2
15	029752	RETURN HOSE	1
15a	030432	-LOW-PRESSURE HOSE ASSY. NL.	1
16	027931	HOSE NIPPLE	1
17	010103	6-HEAD NUT	1
18	027976	DUST COVER FOR PLUG RED	1
19	029105	PLUG	1
20	028633	STRAIGHT SCREW-IN FITTING	1
21	028615	ADJUTABEL ANGEL BRACKET	1
22	028618	REDUCING NOZZLE	1
23	019291	HIGH PRESSURE HOSE	1
24	028618	REDUCING NOZZLE	1
25	028615	ADJUTABEL ANGEL BRACKET	1
26	016205	6-HEAD NUT	1
27	027954	LOCKING MUFFLE WITH DUST PROTECTION COVER	1
28	028217	DUST PROTECTION COVER	1
29	027957	Clip for dust protector cover black	1
30	011088	6-HEAD SCREW	1
31	028580	COVER PLATE	1
32	023856	PIPE CLAMP	2
34	010063	SPRING WASHER	2
35	011935	6-HEAD NUT	2
36	011173	6-HEAD SCREW	1
37	028661	COVER PLATE	1
38	028660	PIPE CLAMP	1



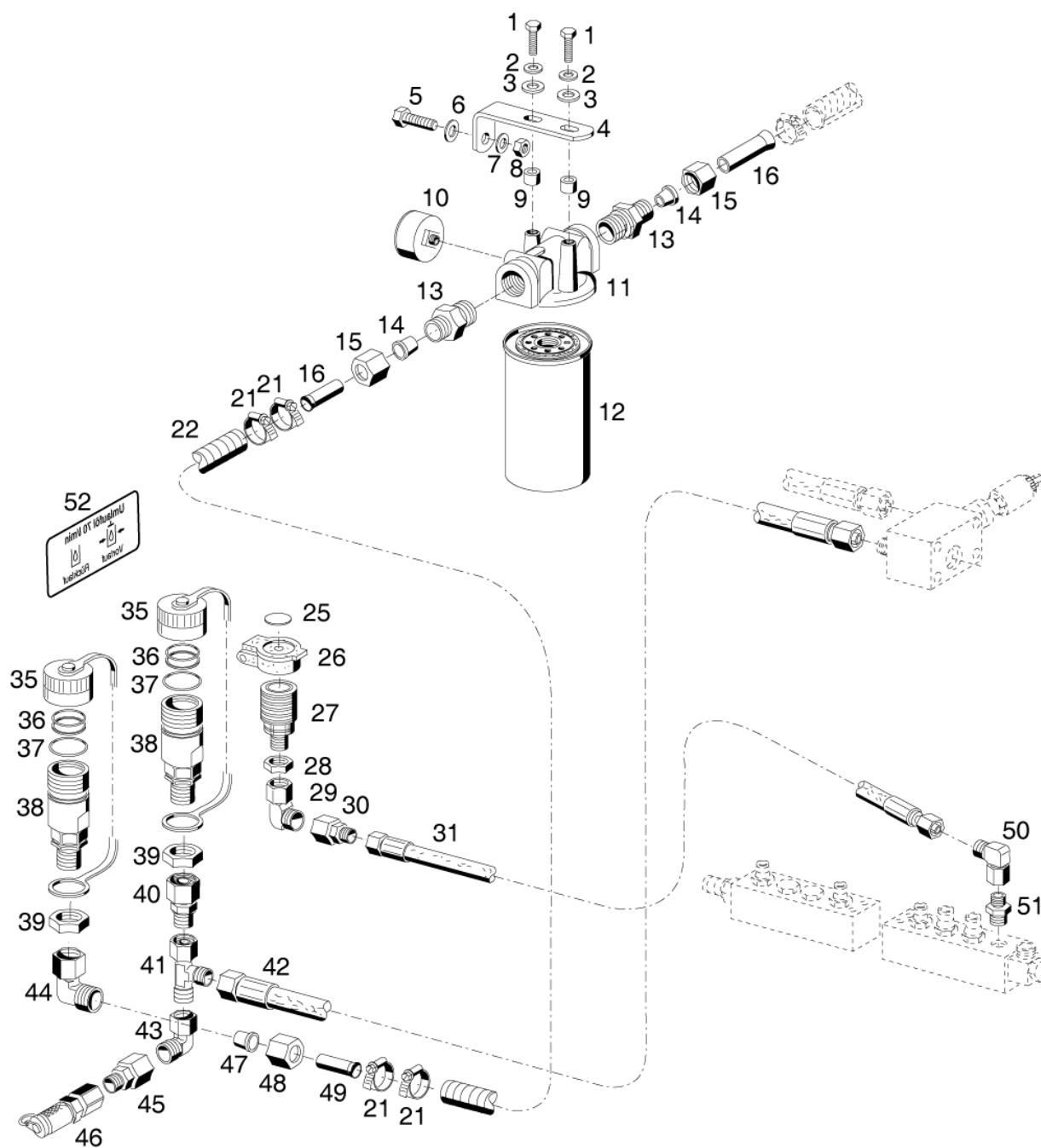
203-80-32
 Bildtafel - table - No. 74f
 bis up to 203 000 804
 Multi-digital-074f.ai 07.06.06

Item no.	Article no.	Description	Quantity
0	146165	earned-hydraulic 70L/min	1
4	030720	HOSE CLAMP	1
5	030395	LOW PRESSURE HOSE	1
6	028610	STRAIGHT SCREW-IN FITTING	2
7	030423	LOW-PRESSURE HOSE (PREASS.)	1
10	029556	HOSE	1
11	030721	HOSE CLAMP	4
15	029058	STRAIGHT SCREW-IN FITTING	1
16	142095	BRACKET	1
17	136760	DISTRIBUTOR PIPE	1
20	029741	HOUSING	1
21	029092	STRAIGHT SCREW-IN FITTING	3
24	029740	PRESSURE RELIEF CARTIDGE	1
25	128432	GASKET	1
26	126318	CONNECTER 3-POLE	1
27	027136	DIODE BY 254	1
34	015848	STRAIGHT SCREW-IN FITTING	1
35	010402	GASKET RING	2
36	029060	HOSE NIPPLE WITH ADAPTER	1
37	025294	HOLLOW SCREW	1
42	146157	BRACE ASSY. NL.	1
45	011742	SPRING WASHER	2
46	011577	6-HEAD NUT	2
50	022531	PROFILE RING	1
51	022529	UNION NUT	1
52	141009	PIPE	1
53	023796	UNION NUT	1
54	023797	PROFILE RING	1
55	029735	ANGLE FLANGE SCREW CONNECTION	1
56	010447	SPRING RING	4
57	029299	INNER-6-HEAD SCREW	2
58	027827	INNER-6-HEAD SCREW	2
59	014744	O-RING SEAL	1
60	011214	INNER-6-HEAD SCREW	2
61	010046	SHIM	2
62	140974	GEAR PUMP	1
63	030244	O-RING SEAL	1
65	015724	UNION NUT	2
66	015750	PROFILE RING	2
67	015815	ANGLE FLANGE SCREW CONNECTION	1
68	014753	O-RING SEAL	1
68a	025247	O-RING SEAL	1
69	010447	SPRING RING	4
70	027827	INNER-6-HEAD SCREW	4
71	029984	HIGH PRESSURE HOSE	1
72	028601	ADJUTABEL ANGEL BRACKET	1
73	029055	ADJUTABEL ANGEL BRACKET	1
74	030653	PIPE	1
75	031257	SNAP RING	1
76	031256	FEATHER KEY	1
77	797826	DRIVE SHAFT	1



203-80-38
 Bildtafel - table - No. 74f-a
 ab from 203 000 805
 Multi-digital-074f-a.ai 22.11.07

Item no.	Article no.	Description	Quantity
0	150314	KIT, POWER HYDRAULICS 75L/min	1
4	030720	HOSE CLAMP	1
5	030395	LOW PRESSURE HOSE	1
6	028610	STRAIGHT SCREW-IN FITTING	2
7	030423	LOW-PRESSURE HOSE (PREASS.)	1
10	029556	HOSE	1
11	030721	HOSE CLAMP	4
15	029058	STRAIGHT SCREW-IN FITTING	1
17	136760	DISTRIBUTOR PIPE	1
20	029741	HOUSING	1
21	029092	STRAIGHT SCREW-IN FITTING	3
24	029740	PRESSURE RELIEF CARTIDGE	1
25	128432	GASKET	1
26	126318	CONNECTER 3-POLE	1
27	027136	DIODE BY 254	1
34	015848	STRAIGHT SCREW-IN FITTING	1
35	010402	GASKET RING	2
36	029060	HOSE NIPPLE WITH ADAPTER	1
37	025294	HOLLOW SCREW	1
42	150068	BRACE	1
50	022531	PROFILE RING	1
51	022529	UNION NUT	1
52	141009	PIPE	1
53	023796	UNION NUT	1
54	023797	PROFILE RING	1
55	030800	ANGLE FLANGE NOZZLE	1
56	012547	SPRING RING	4
57	011056	INNER-6-HEAD SCREW	2
58	011206	INNER-6-HEAD SCREW	2
59	030805	O-RING	1
60	011214	INNER-6-HEAD SCREW	2
61	010046	SHIM	2
62	147988	GEAR PUMP	1
63	030244	O-RING SEAL	1
66	011056	INNER-6-HEAD SCREW	2
67	030799	ANGLE FLANGE NOZZLE	1
68	030805	O-RING	1
69	012546	SPRING RING	4
70	011206	INNER-6-HEAD SCREW	2
71	029984	HIGH PRESSURE HOSE	1
72	028601	ADJUTABEL ANGEL BRACKET	1
73	029055	ADJUTABEL ANGEL BRACKET	1
74	015750	PROFILE RING	2
75	015724	UNION NUT	2
76	030653	PIPE	1
77	031257	SNAP RING	1
78	031256	FEATHER KEY	1
79	147751	DRIVE SHAFT	1
80	147860	147860	1
81	022529	UNION NUT	1
82	022531	PROFILE RING	1

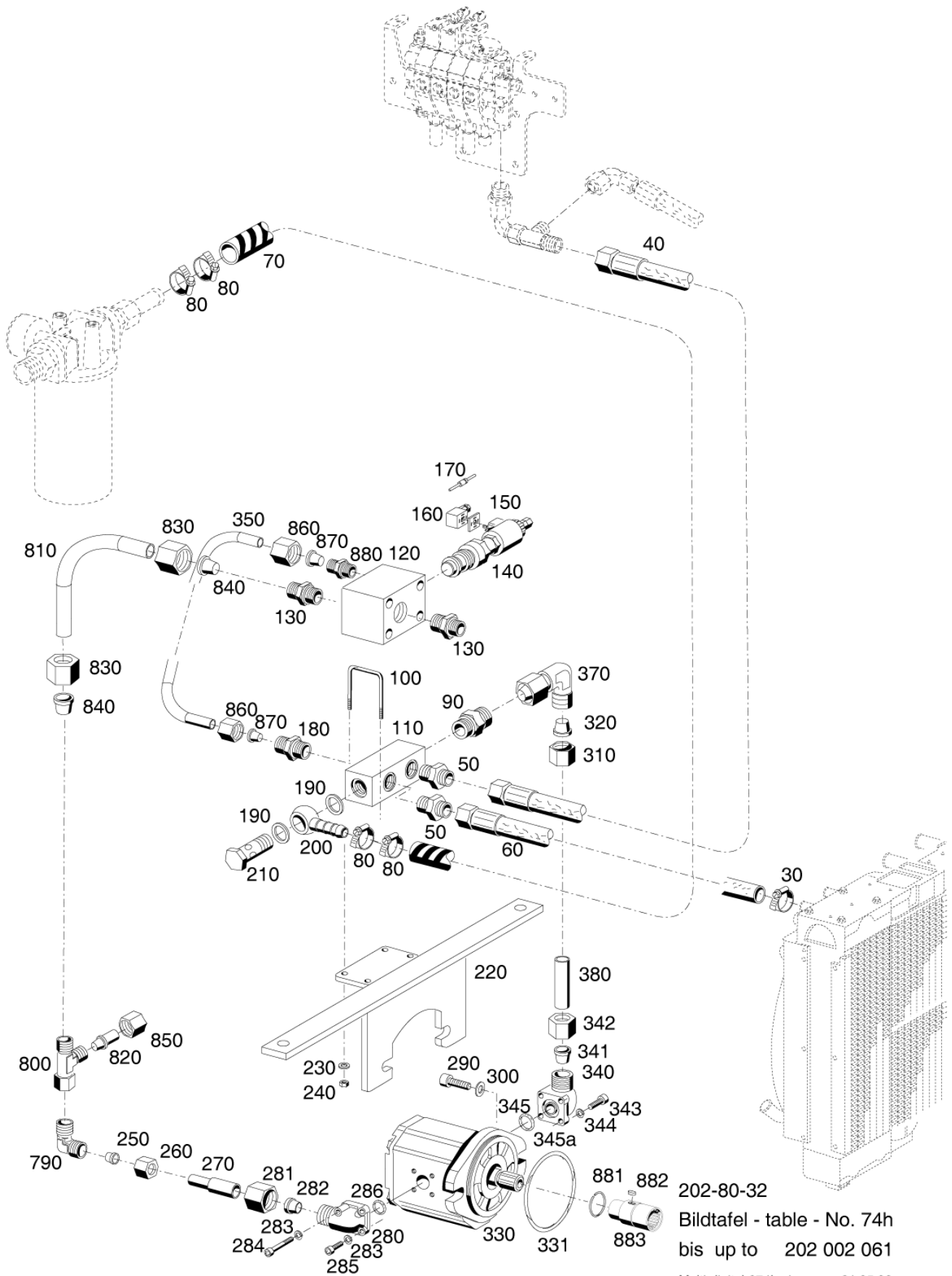


Bildtafel - table - No. 74g

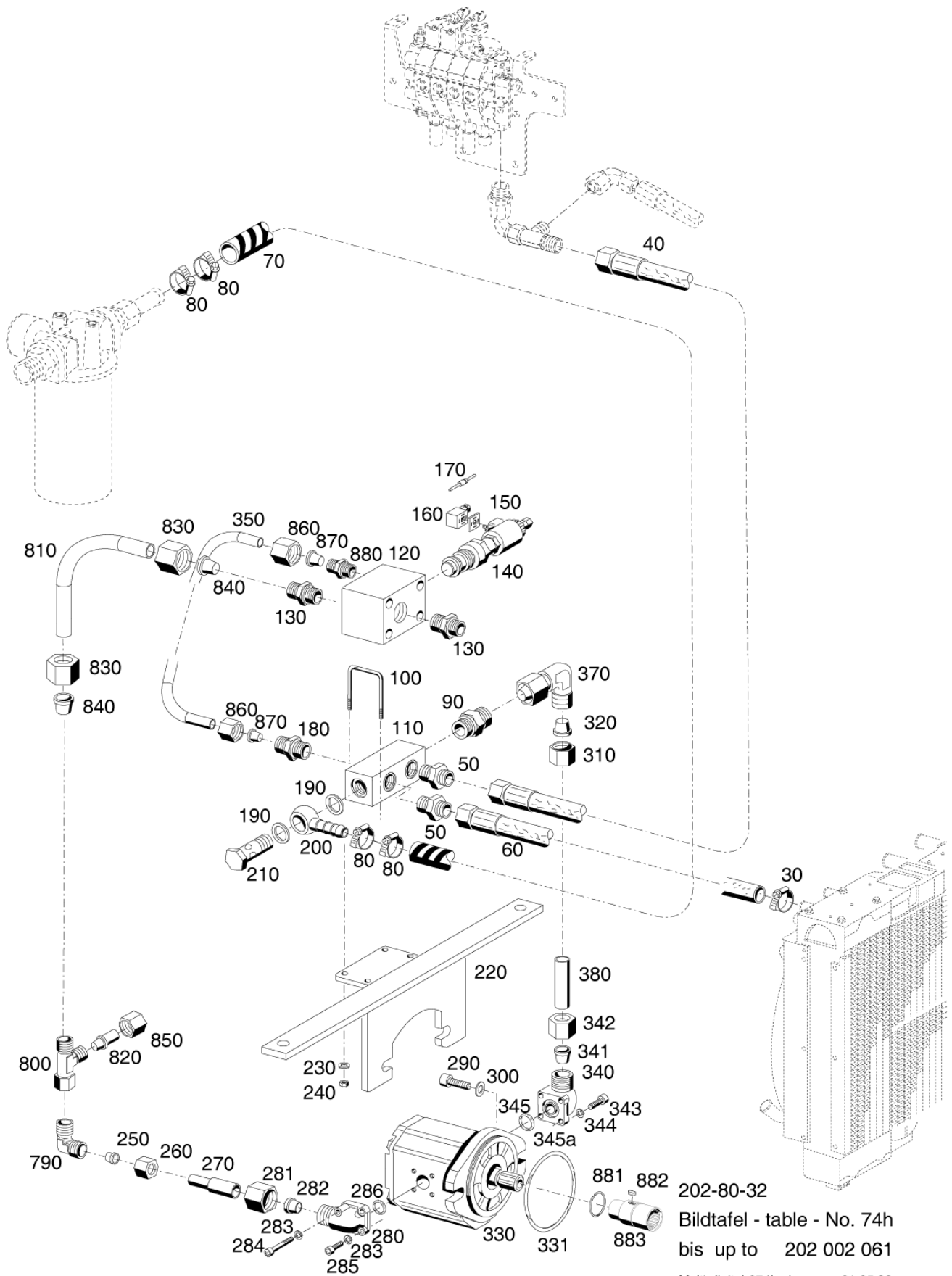
Multi-digital-074g.ai

19.11.07

Item no.	Article no.	Description	Quantity
1	011509	6-HEAD SCREW	2
2	010063	SPRING WASHER	2
3	012537	SHIM	2
4	142093	OIL FILTER BRACKET	1
5	011525	6-HEAD SCREW	1
6	010046	SHIM	1
7	010064	SPRING WASHER	1
8	011585	6-HEAD NUT	1
9	014281	PIPE	2
10	029089	PRESSURE GAUGE	1
11	136569	FILTER	1
12	029088	+REPLACEMENT CARTRIDGE	1
13	028597	STRAIGHT SCREW-IN FITTING	2
14	015750	PROFILE RING	2
15	015724	UNION NUT	2
16	139273	PIPE	2
21	030721	HOSE CLAMP	4
22	030638	RETURN FLOW HOSE	1
25	030625	CLIP FOR DUST PROTECTOR COVER SYMBOL -	1
25a	027957	Clip for dust protector cover black	1
25b	027958	Clip for dust protector cover blue	1
25c	027959	Clip for dust protector cover green	1
25d	027960	Clip for dust protector cover yellow	1
26	028217	DUST PROTECTION COVER	1
27	027954	LOCKING MUFFLE WITH DUST PROTECTION COVER	1
28	016205	6-HEAD NUT	1
29	028615	ADJUTABEL ANGEL BRACKET	1
30	028618	REDUCING NOZZLE	1
31	019289	HIGH PRESSURE HOSE	1
35	028363	DUST COVER FOR MUFFLE RED	2
36	028551	GASKET KIT FOR LOCK SLEEVE	1
37	028552	O-RING SEAL	2
38	029738	SRVK-MUFFELE	2
39	030185	6-HEAD NUT	2
40	029745	REDUCING NOZZLE	1
41	029811	ADJUSTABEL L-FITTING	1
42	029984	HIGH PRESSURE HOSE	1
43	028601	ADJUTABEL ANGEL BRACKET	1
44	029055	ADJUTABEL ANGEL BRACKET	1
45	029754	REDUCING NOZZLE	1
46	029133	BRASS RING	1
47	015750	PROFILE RING	1
48	015724	UNION NUT	1
49	139273	PIPE	1
50	028616	ADJUSTABEL ANGEL BRACKET	1
51	028609	STRAIGHT SCREW-IN FITTING	1
52	147380	ADHESIVE LABEL	1

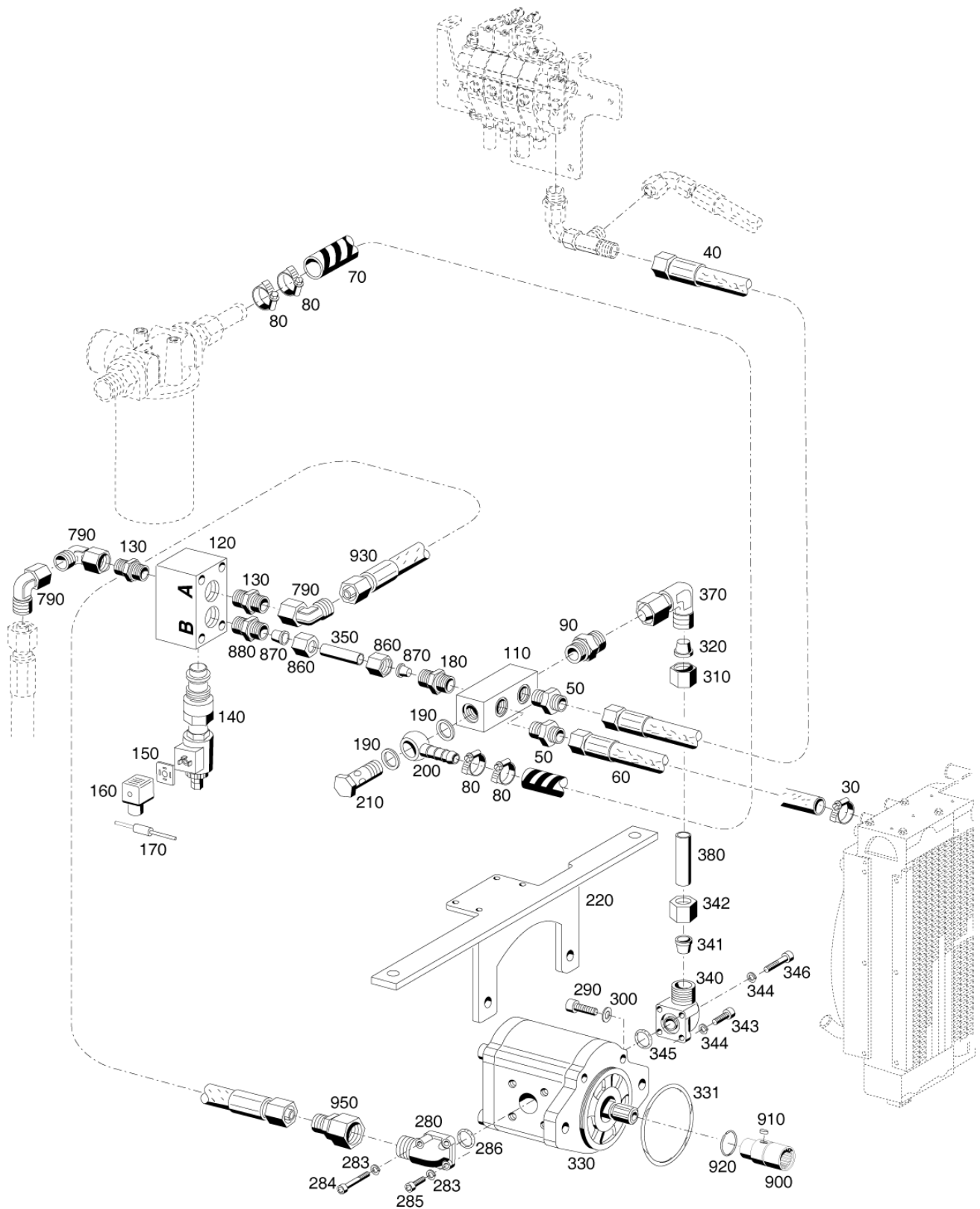


Item no.	Article no.	Description	Quantity
0	146352	earned-hydraulic 70L/min	1
30	030720	HOSE CLAMP	1
40	030395	LOW PRESSURE HOSE	1
50	028610	STRAIGHT SCREW-IN FITTING	2
60	030423	LOW-PRESSURE HOSE (PREASS.)	1
70	029556	HOSE	1
80	030721	HOSE CLAMP	4
90	029058	STRAIGHT SCREW-IN FITTING	1
100	142095	BRACKET	1
110	136760	DISTRIBUTOR PIPE	1
120	029741	HOUSING	1
130	029092	STRAIGHT SCREW-IN FITTING	2
140	029740	PRESSURE RELIEF CARTIDGE	1
150	128432	GASKET	1
160	126318	CONNECTER 3-POLE	1
170	027136	DIODE BY 254	1
180	028610	STRAIGHT SCREW-IN FITTING	1
190	010402	GASKET RING	2
200	029060	HOSE NIPPLE WITH ADAPTER	1
210	025294	HOLLOW SCREW	1
220	146157	BRACE ASSY. NL.	1
230	011742	SPRING WASHER	2
240	011577	6-HEAD NUT	2
250	022531	PROFILE RING	1
260	022529	UNION NUT	1
270	141009	PIPE	1
280	029735	ANGLE FLANGE SCREW CONNECTION	1
281	023796	UNION NUT	1
282	023797	PROFILE RING	1
283	010447	SPRING RING	4
284	029299	INNER-6-HEAD SCREW	2
285	027827	INNER-6-HEAD SCREW	2
286	014744	O-RING SEAL	1
290	011214	INNER-6-HEAD SCREW	2
300	010046	SHIM	2
310	015724	UNION NUT	1
320	015750	PROFILE RING	1
330	140974	GEAR PUMP	1
331	030244	O-RING SEAL	1
340	015815	ANGLE FLANGE SCREW CONNECTION	1
341	015750	PROFILE RING	1
342	015724	UNION NUT	1
343	027827	INNER-6-HEAD SCREW	4
344	010447	SPRING RING	4
345	014753	O-RING SEAL	1
345a	025247	O-RING SEAL	1
350	136571	ELBOW	1
370	029055	ADJUTABEL ANGEL BRACKET	1
380	030653	PIPE	1
790	030017	ANGLE FITTING	1
800	029811	ADJUSTABEL L-FITTING	1



Multi-digital-074h.ai 31.05.06

Item no.	Article no.	Description	Quantity
810	140984	PIPE	1
820	030709	CLOSURE PLUG	1
830	022529	UNION NUT	2
840	022531	PROFILE RING	2
850	022529	UNION NUT	1
860	015727	UNION NUT	2
870	015752	PROFILE RING	2
880	028605	STRAIGHT SCREW-IN FITTING	1
881	031257	SNAP RING	1
882	031256	FEATHER KEY	1
883	797826	DRIVE SHAFT	1



202-80-38

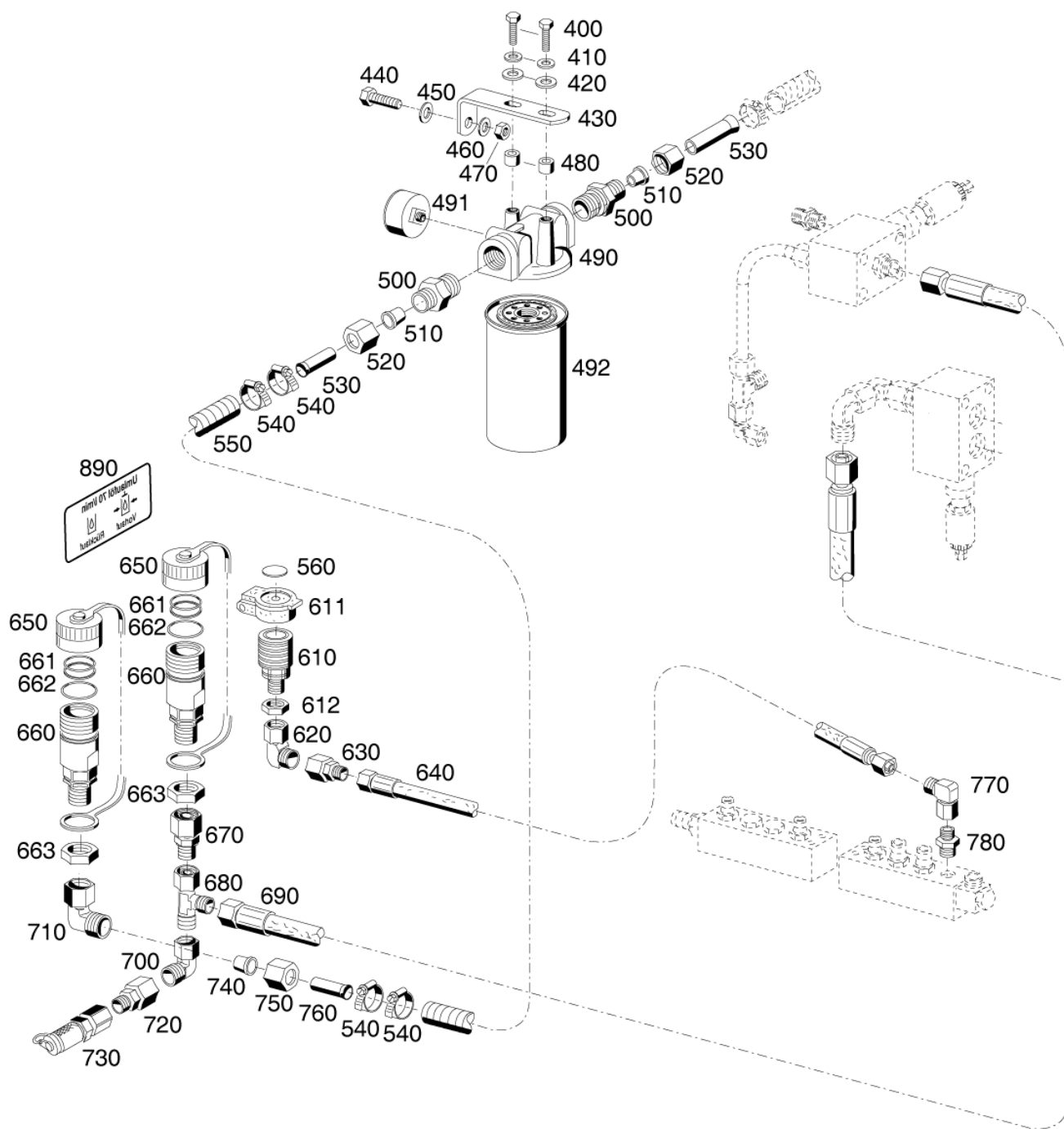
Bildtafel - table - No. 74h-a

ab from 202 002 062

Multi-digital-074h-a.ai

18.11.07

Item no.	Article no.	Description	Quantity
0	147848	KIT, POWER HYDRAULICS 75L/min	1
30	030720	HOSE CLAMP	1
40	030395	LOW PRESSURE HOSE	1
50	028610	STRAIGHT SCREW-IN FITTING	2
60	030423	LOW-PRESSURE HOSE (PREASS.)	1
70	029556	HOSE	1
80	030721	HOSE CLAMP	4
90	029058	STRAIGHT SCREW-IN FITTING	1
110	136760	DISTRIBUTOR PIPE	1
120	029741	HOUSING	1
130	029092	STRAIGHT SCREW-IN FITTING	2
140	029740	PRESSURE RELIEF CARTIDGE	1
150	128432	GASKET	1
160	126318	CONNECTER 3-POLE	1
170	027136	DIODE BY 254	1
180	015848	STRAIGHT SCREW-IN FITTING	1
190	010402	GASKET RING	2
200	029060	HOSE NIPPLE WITH ADAPTER	1
210	025294	HOLLOW SCREW	1
220	150068	BRACE	1
280	030799	ANGLE FLANGE NOZZLE	1
283	012547	SPRING RING	4
284	011056	INNER-6-HEAD SCREW	2
285	011206	INNER-6-HEAD SCREW	2
286	030805	O-RING	1
290	011214	INNER-6-HEAD SCREW	2
300	010046	SHIM	2
310	015724	UNION NUT	1
320	015750	PROFILE RING	1
330	147988	GEAR PUMP	1
331	030244	O-RING SEAL	1
340	030799	ANGLE FLANGE NOZZLE	1
341	015750	PROFILE RING	1
342	015724	UNION NUT	1
343	011206	INNER-6-HEAD SCREW	2
344	012546	SPRING RING	4
345	030805	O-RING	1
346	011056	INNER-6-HEAD SCREW	2
350	141014	PIPE	1
370	029055	ADJUTABEL ANGEL BRACKET	1
380	030653	PIPE	1
790	028601	ADJUTABEL ANGEL BRACKET	3
860	022529	UNION NUT	2
870	022531	PROFILE RING	2
880	029092	STRAIGHT SCREW-IN FITTING	1
900	147751	DRIVE SHAFT	1
910	031256	FEATHER KEY	1
920	031257	SNAP RING	1
930	029984	HIGH PRESSURE HOSE	1
950	029745	REDUCING NOZZLE	1

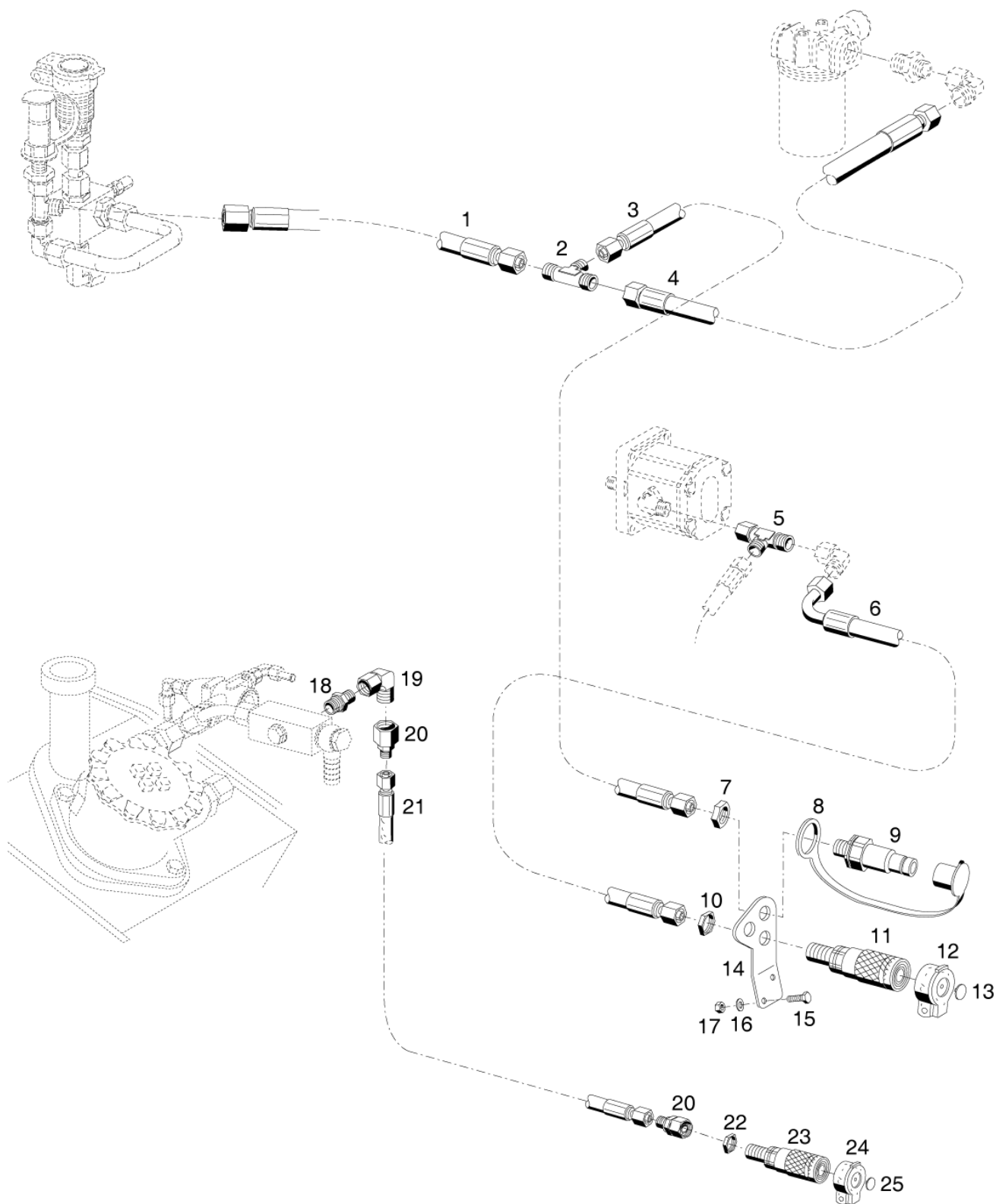


Bildtafel - table - No. 74i

Multi-digital-074i.ai

15.11.07

Item no.	Article no.	Description	Quantity
400	011509	6-HEAD SCREW	2
410	010063	SPRING WASHER	2
420	012537	SHIM	2
430	142093	OIL FILTER BRACKET	1
440	011525	6-HEAD SCREW	1
450	010046	SHIM	1
460	010064	SPRING WASHER	1
470	011585	6-HEAD NUT	1
480	014281	PIPE	2
490	136569	FILTER	1
491	029089	PRESSURE GAUGE	1
492	029088	+REPLACEMENT CARTRIDGE	1
500	028597	STRAIGHT SCREW-IN FITTING	2
510	015750	PROFILE RING	2
520	015724	UNION NUT	2
530	139273	PIPE	2
540	030721	HOSE CLAMP	4
550	030638	RETURN FLOW HOSE	1
560	030625	CLIP FOR DUST PROTECTOR COVER SYMBOL -	1
560a	027957	Clip for dust protector cover black	1
560b	027958	Clip for dust protector cover blue	1
560c	027959	Clip for dust protector cover green	1
560d	027960	Clip for dust protector cover yellow	1
610	027954	LOCKING MUFFLE WITH DUST PROTECTION COVER	1
611	028217	DUST PROTECTION COVER	1
612	016205	6-HEAD NUT	1
620	028615	ADJUTABEL ANGEL BRACKET	1
630	028618	REDUCING NOZZLE	1
640	019289	HIGH PRESSURE HOSE	1
650	028363	DUST COVER FOR MUFFLE RED	2
660	029738	SRVK-MUFFELE	2
661	028551	GASKET KIT FOR LOCK SLEEVE	1
662	028552	O-RING SEAL	2
663	030185	6-HEAD NUT	2
670	029745	REDUCING NOZZLE	1
680	029811	ADJUSTABEL L-FITTING	1
690	029984	HIGH PRESSURE HOSE	1
700	028601	ADJUTABEL ANGEL BRACKET	1
710	029055	ADJUTABEL ANGEL BRACKET	1
720	029754	REDUCING NOZZLE	1
730	029133	BRASS RING	1
740	015750	PROFILE RING	1
750	015724	UNION NUT	1
760	139273	PIPE	1
770	028616	ADJUSTABEL ANGEL BRACKET	1
780	028609	STRAIGHT SCREW-IN FITTING	1
890	147380	ADHESIVE LABEL	1

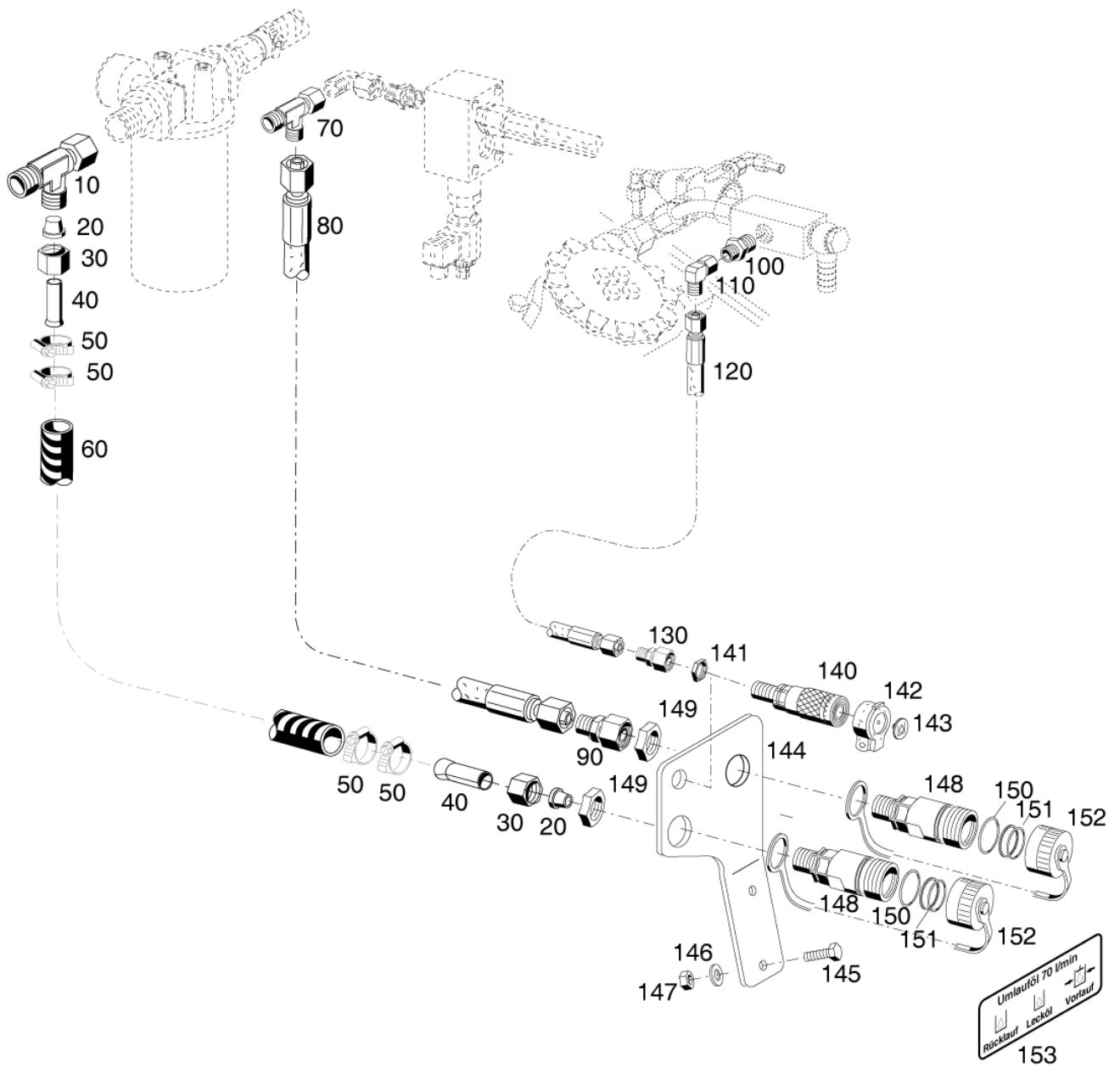


Bildtafel - table - No. 74j

Multi-digital-074j.ai

01.03.04

Item no.	Article no.	Description	Quantity
0	140985	HOSE SET REAR FOR ADJUSTABLE ACCESSORIES HYDRAULIC PUMP	1
1	030396	LOW PRESSURE HOSE	1
2	028611	T-NOZZLE	1
3	030397	LOW PRESSURE HOSE	1
4	030395	LOW PRESSURE HOSE	1
5	028620	ADJUSTABEL L-FITTING	1
6	026693	HOSE LINE	1
7	010103	6-HEAD NUT	1
8	027976	DUST COVER FOR PLUG RED	1
9	029105	PLUG	1
10	010103	6-HEAD NUT	1
11	027968	LOCKING MUFFLE WITH DUST PROTECTION COVER	1
12	028218	DUST PROTECTION COVER	1
13	027957	Clip for dust protector cover black	1
14	140973	PERFORATED STRIP	1
15	011509	6-HEAD SCREW	2
16	010063	SPRING WASHER	2
17	011579	6-HEAD NUT	2
18	028633	STRAIGHT SCREW-IN FITTING	1
19	028615	ADJUTABEL ANGEL BRACKET	1
20	028618	REDUCING NOZZLE	2
21	019299	HIGH PRESSURE HOSE	1
22	016205	6-HEAD NUT	1
23	027954	LOCKING MUFFLE WITH DUST PROTECTION COVER	1
24	028217	DUST PROTECTION COVER	1
25	027957	Clip for dust protector cover black	1



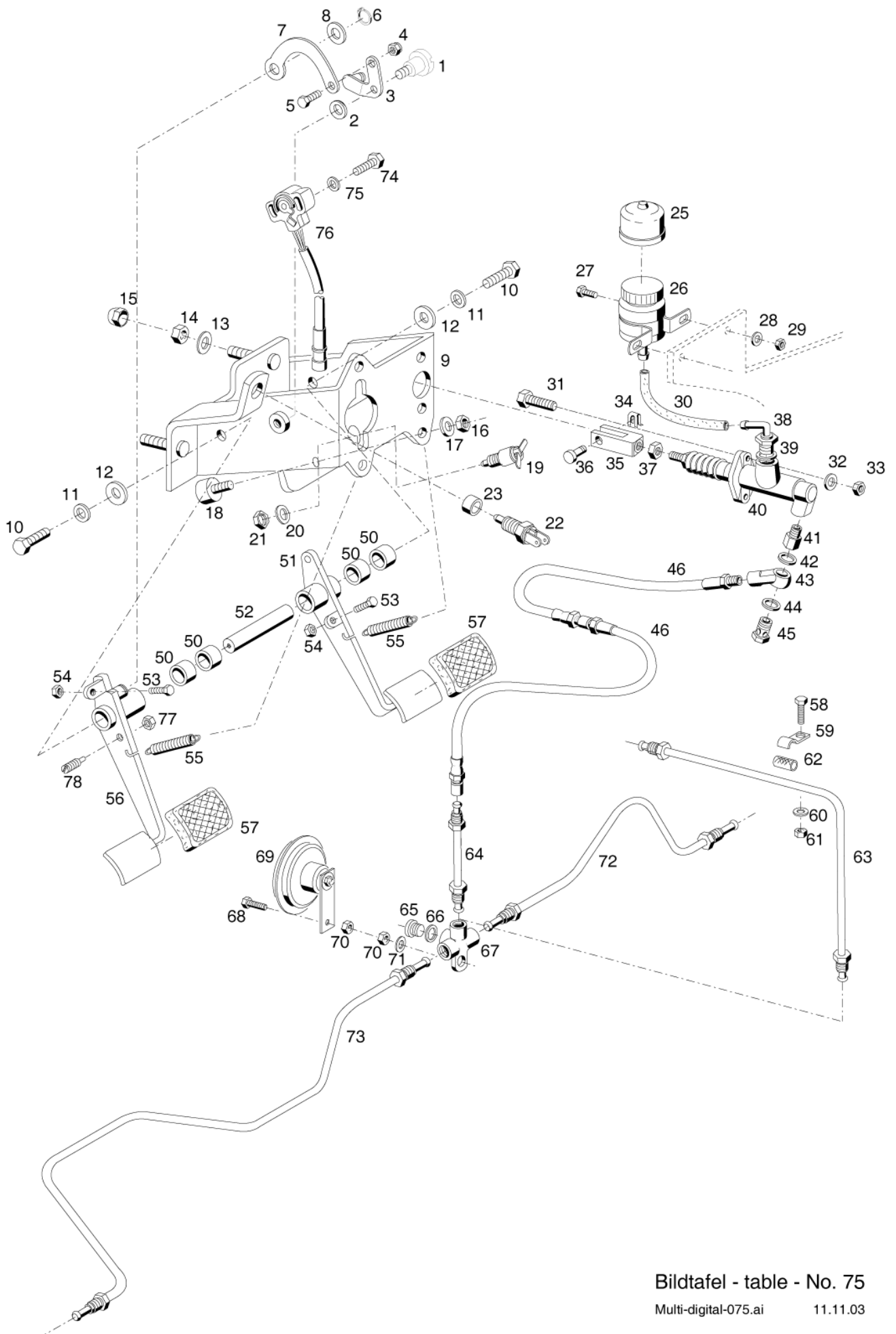
Bildtafel - table - No. 74k

Multi-digital-074k.ai

05.07.04

Item no.	Article no.	Description	Quantity
10	029470	ADJUSTABEL L-FITTING	1
20	015750	PROFILE RING	2
30	015724	UNION NUT	2
40	139273	PIPE	2
50	030721	HOSE CLAMP	4
60	030688	RETURN HOSE	1
70	029811	ADJUSTABEL L-FITTING	1
80	030604	HIGH PRESSURE HOSE (PREASS.)	1
90	029745	REDUCING NOZZLE	1
100	028633	STRAIGHT SCREW-IN FITTING	1
110	028615	ADJUSTABEL ANGEL BRACKET	1
120	019299	HIGH PRESSURE HOSE	1
130	028618	REDUCING NOZZLE	1
140	027954	LOCKING MUFFLE WITH DUST PROTECTION COVER	1
141	016205	6-HEAD NUT	1
142	028217	DUST PROTECTION COVER	1
143	030627	CLIP FOR DUST PROTECTOR COVER SYMBOL	1
144	147378	FASTENING PLATE	1
145	011509	6-HEAD SCREW	2
146	010063	SPRING WASHER	2
147	011579	6-HEAD NUT	2
148	029738	SRVK-MUFFELE	2
149	030185	6-HEAD NUT	2
150	028552	O-RING SEAL	2
151	028551	GASKET KIT FOR LOCK SLEEVE	1
152	028363	DUST COVER FOR MUFFLE RED	2
153	147379	ADHESIVE LABEL	1

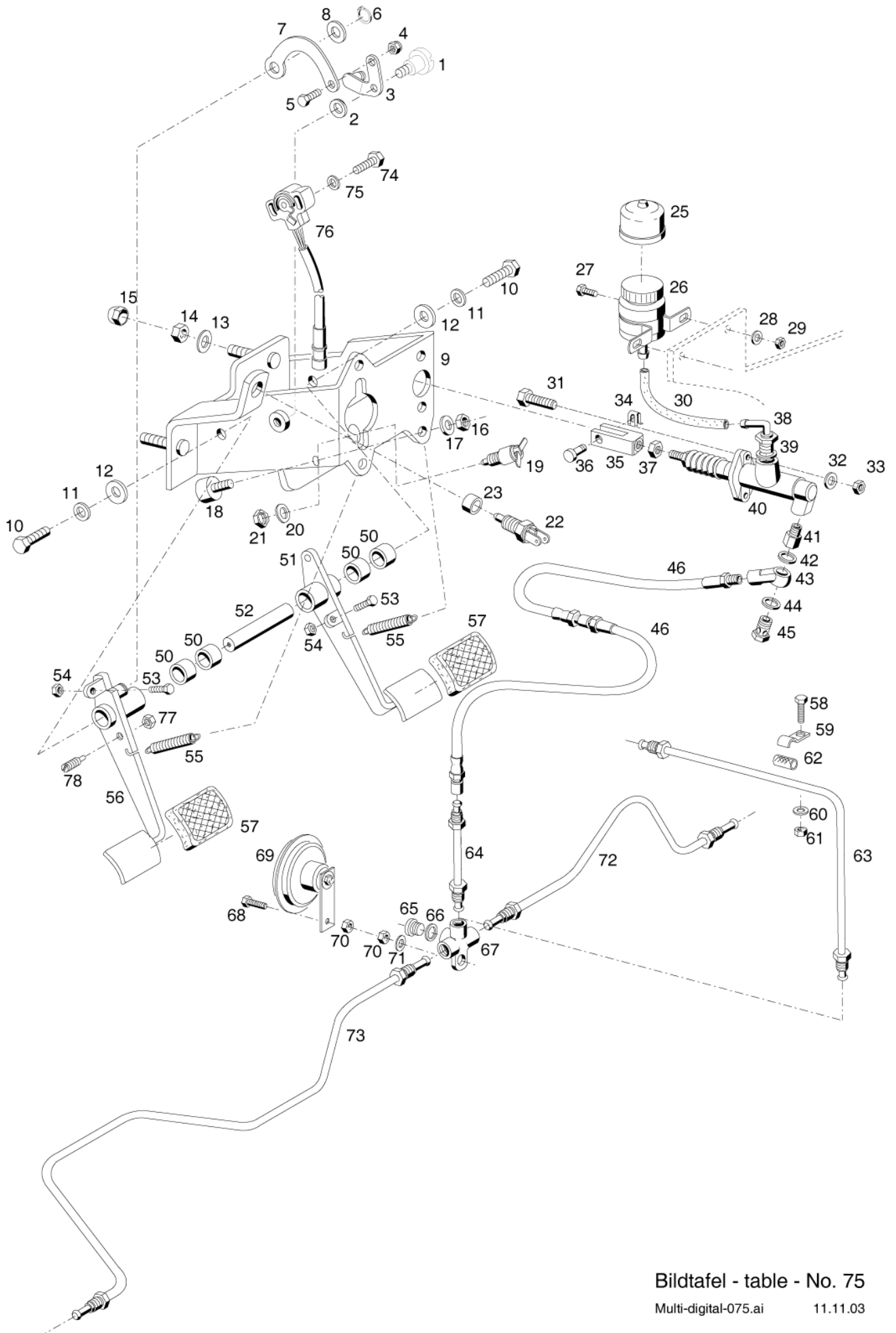
Item no.	Article no.	Description	Quantity
730	800755	PEDAL STICK, DRIVING BRAKE, INCH PEDAL	1
740	800756	PARKING BRAKE	1
750	800757	FOOT THROTTLE, C200, TILL 202 001 844	1
760	800758	FOOT THROTTLE FOR SDS, C200, AS OF 202 001 845	1
770	800759	FOOT THROTTLE FOR SDS, C200	1
780	800760	ROCKER PEDAL	1



Bildtafel - table - No. 75

Multi-digital-075.ai 11.11.03

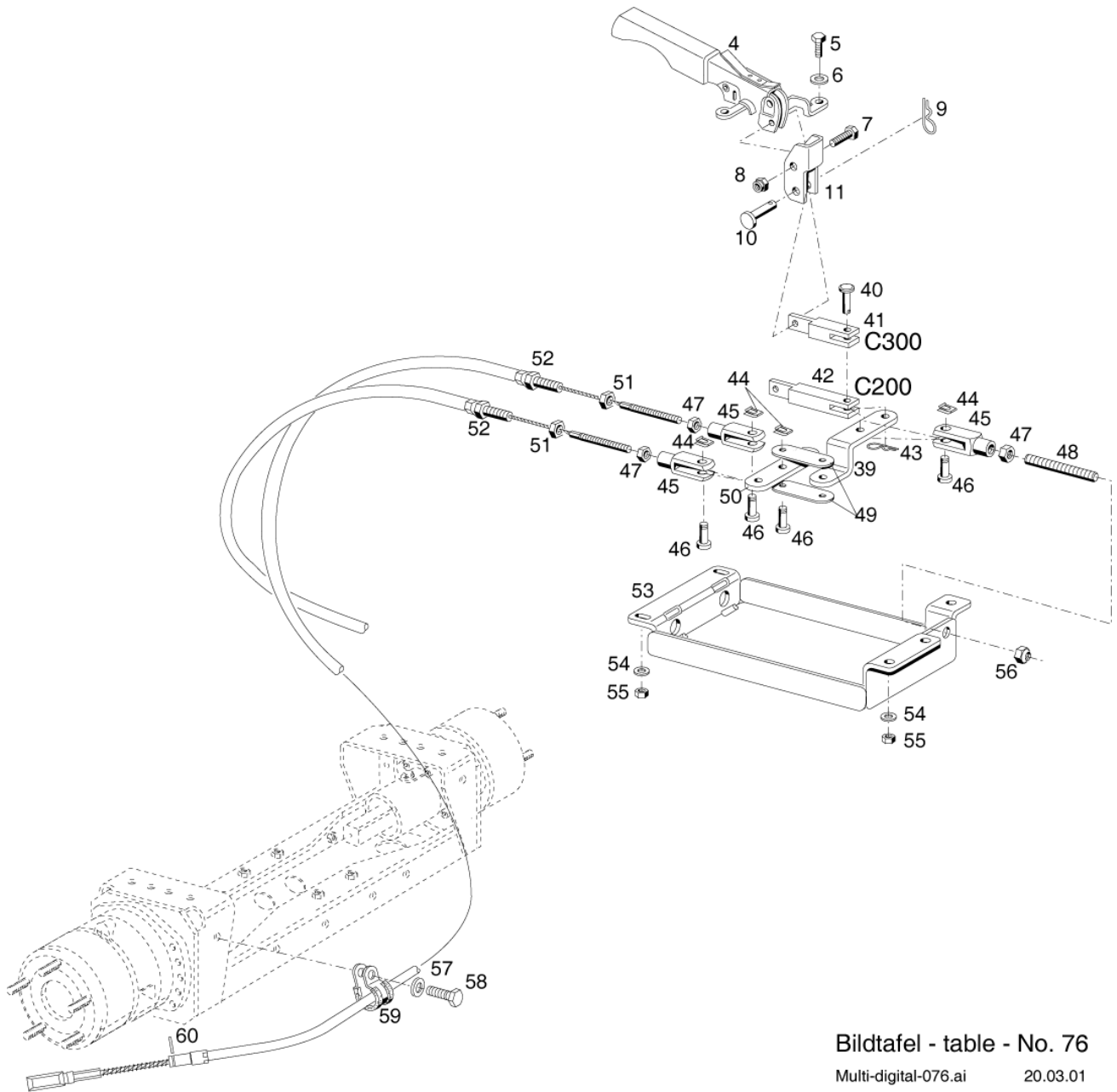
Item no.	Article no.	Description	Quantity
1	028263	FLAT HEAD SCREW	1
2	010044	SHIM	1
3	134653	LEVER	1
4	011683	6-HEAD NUT	1
5	011503	6-HEAD SCREW	1
6	022571	LOCKING RING FOR WAVES	1
7	134371	LEVER	1
8	010088	SHIM	1
9	131509	PEDAL STICK	1
10	011511	6-HEAD SCREW	2
11	010063	SPRING WASHER	2
12	012537	SHIM	2
13	010063	SPRING WASHER	3
14	011579	6-HEAD NUT	3
15	023241	BONNET	3
16	011579	6-HEAD NUT	1
17	010063	SPRING WASHER	1
18	020846	BUFFERS	1
19	019593	SAFETY SWITCH	1
20	010065	SPRING WASHER	1
21	010098	6-HEAD NUT	1
22	023659	SWITCH	1
23	028168	SPACER RING	1
25	124040	PROTECTING CAP	1
26	114430	COMPENSATION TANK	1
27	011158	6-HEAD SCREW	2
28	011742	SPRING WASHER	2
29	011577	6-HEAD NUT	2
30	020619	CONNECTING HOSE	1
31	011511	6-HEAD SCREW	2
32	010063	SPRING WASHER	2
33	011579	6-HEAD NUT	2
34	022264	SL-FUSE	1
35	799232	799232	1
36	022263	BOLT	1
37	011753	6-HEAD NUT	1
38	117010	SCREW ADAPTER	1
39	010401	GASKET RING	1
40	117008	MASTER CYLINDER	1
40a	119380	REPAIR SET	1
41	117009	SPACER	1
42	010388	GASKET RING	1
43	026425	BANJO FITTING	1
44	014772	GASKET RING	1
45	026426	HOLLOW SCREW	1
46	117013	BRAKE HOSE	2
50	026941	PLATE BEARING	4
51	131508	BRAKE PEDAL	1
52	131504	SHAFT	1
53	011511	6-HEAD SCREW	2
54	011579	6-HEAD NUT	2



Bildtafel - table - No. 75

Multi-digital-075.ai 11.11.03

Item no.	Article no.	Description	Quantity
55	028264	TENSION SPRING	2
56	131507	CLUTCH PEDAL AND INCHPEDAL	1
57	019370	PEDAL RUBBER	2
58	011525	6-HEAD SCREW	1
59	015186	CLAMP	1
60	010064	SPRING WASHER	1
61	011585	6-HEAD NUT	1
62	028111	HOSE SLOTTED	1
63	135504	-BRAKE LINE ASSY.	1
64	135503	BRAKE LINE	1
65	011028	LOCKING SCREW	1
66	010387	GASKET RING	1
67	117011	DISTRIBUTOR	1
68	011173	6-HEAD SCREW	1
69	021098	SIGNAL HORN	1
70	011579	6-HEAD NUT	2
71	010063	SPRING WASHER	1
72	135501	BRAKE LINE, RIGHT	1
73	135502	BRAKE LINE, LEFT	1
74	028372	6-HEAD SCREW	2
75	027177	SHIM	2
76	027097	ANGLE	1
77	151073	turning angle transmitter	1
78	028265	THREADED PIN	1



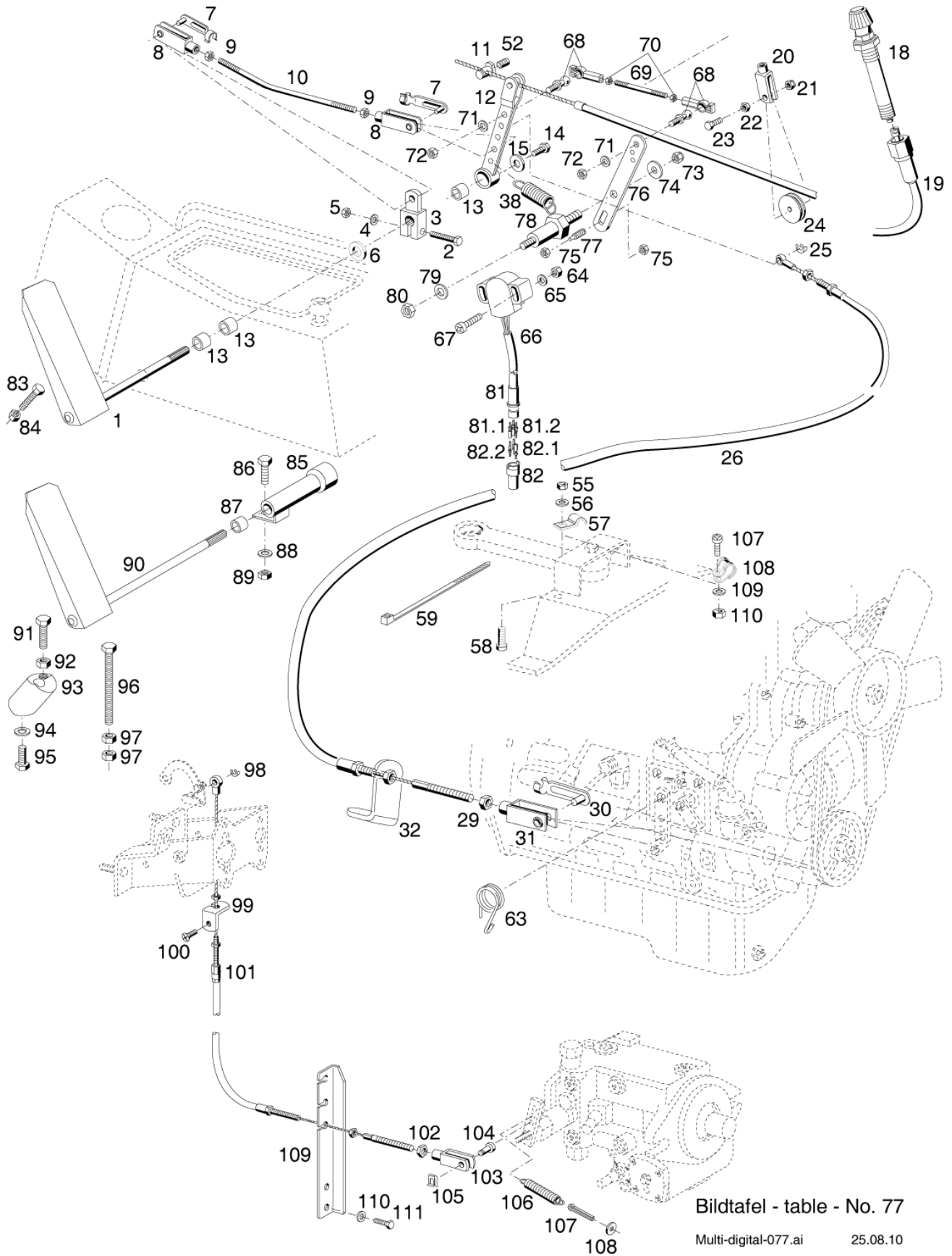
Bildtafel - table - No. 76

Multi-digital-076.ai

20.03.01

Item no.	Article no.	Description	Quantity
4	132767	PARKING BRAKE LEVER	1
5	011511	6-HEAD SCREW	2
6	010063	SPRING WASHER	2
7	011170	HEX HEAD SCREW	1
8	011935	6-HEAD NUT	1
9	029211	SPRING PLUG	1
10	028558	BOLT	1
11	135097	EXTENSION	1
39	137132	LEVER	1
40	028558	BOLT	1
41	137300	PULL ROD	1
42	137143	PULL ROD	1
43	029211	SPRING PLUG	1
44	022264	SL-FUSE	5
45	022265	FORK HEAD	3
46	022263	BOLT	5
47	011579	6-HEAD NUT	3
48	029196	THREAD BOLT	1
49	137134	FLAP	2
50	137133	LEVER	1
51	010098	6-HEAD NUT	2
52	136664	BRAKE CABLE	2
53	141980	HOLDER	1
54	010063	SPRING WASHER	4
55	011579	6-HEAD NUT	4
56	011935	6-HEAD NUT	1
57	010063	SPRING WASHER	2
58	011509	6-HEAD SCREW	2
59	029224	PIPE CLAMP WITH RUBBER PROFILE	2
60	029195	SAFETY DISC	2

**C 245
C 345**



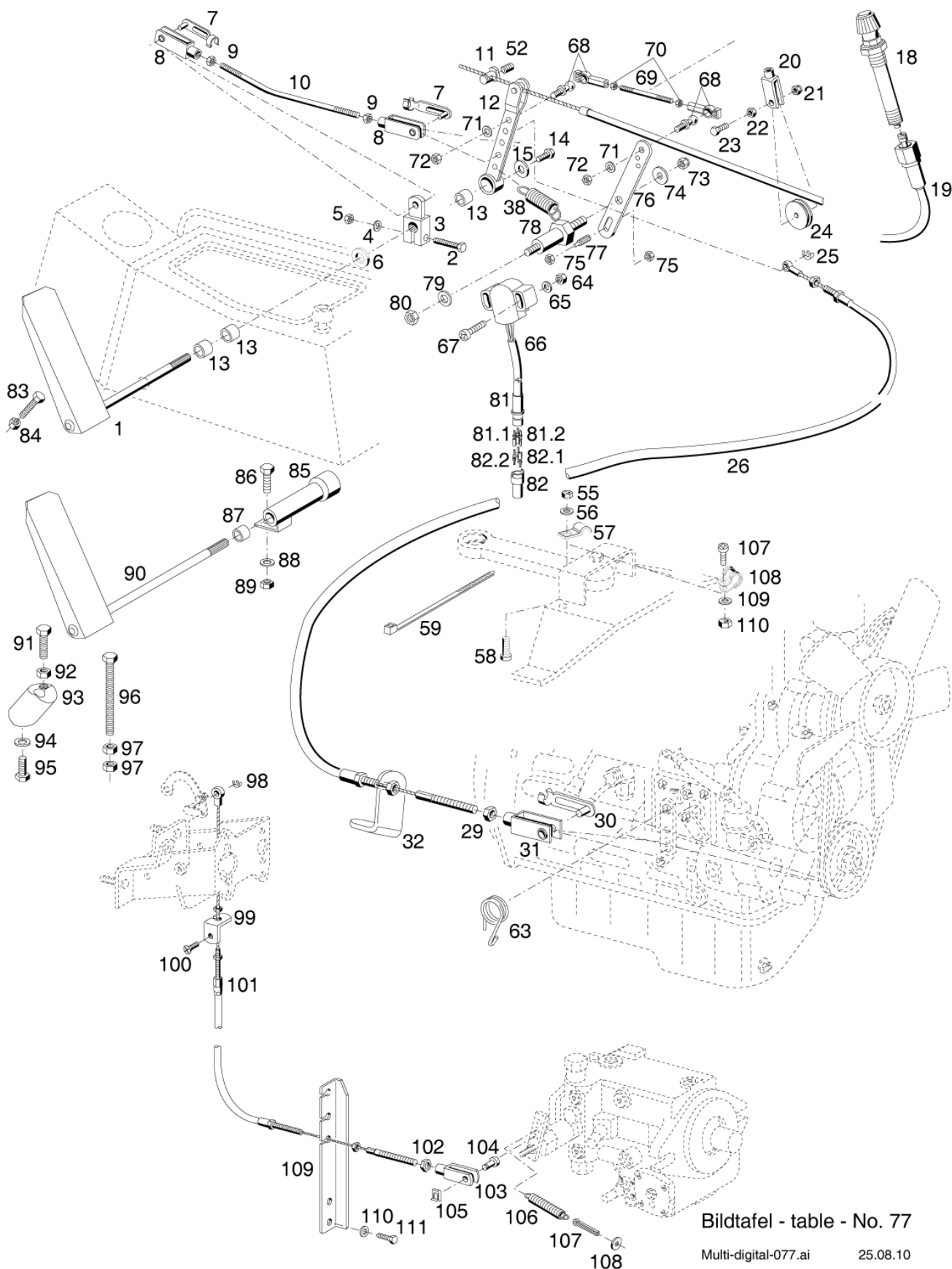
Bildtafel - table - No. 77

Multi-digital-077.ai

25.08.10

Item no.	Article no.	Description	Quantity
1	135237	+GAS PEDAL ASSY. NL.	1
2	011520	6-HEAD SCREW	1
3	135241	+LEVER ASSY. C220	1
4	010063	SPRING WASHER	1
5	011579	6-HEAD NUT	1
6	010087	SHIM	1
7	016642	ES-BOLZEN	2
8	016620	NIPPLE 6X24	2
9	011577	6-HEAD NUT	2
10	135240	PULL ROD	1
11	022563	SCREW NIPPLE	1
12	135243	LEVER	1
13	028671	BEARING	3
14	011154	6-HEAD SCREW	1
15	010464	SHIM	1
18	133005	TRANSDUCER	1
19	133006	CABLE	1
20	022265	FORK HEAD	1
21	011935	6-HEAD NUT	1
22	011579	6-HEAD NUT	1
23	011520	6-HEAD SCREW	1
24	135091	DELECTION PULLEY	1
25	014379	SMALL CLIP	1
26	135234	FOOT GAS SHAFT	1
29	011579	6-HEAD NUT	1
30	013534	ES-BOLZEN	1
31	016622	FORK HEAD	1
32	134848	COUNTER BEARING	1
38	013693	TENSION SPRING	1
52	031380	THREADED PIN	1
55	011576	6-HEAD NUT	1
56	010061	SPRING WASHER	1
57	028998	FIXING SOCKET DIN 72571	1
58	010460	LENS HEAD SCREW	1
59	027250	CABLE BAND	1
63	029043	THREE LEG SPRING	1
64	011571	6-HEAD NUT	2
65	011741	SPRING WASHER	2
66	027097	ANGLE	1
67	010457	LENS HEAD SCREW	2
68	016618	ANGLE JOINT	2
69	029294	PULL ROD	1
70	011577	6-HEAD NUT	2
71	011742	SPRING WASHER	2
72	011577	6-HEAD NUT	2
73	011935	6-HEAD NUT	1
74	012537	SHIM	1
75	011577	6-HEAD NUT	2
76	135076	LEVER	1
77	010079	GRUB SCREW	1
78	027028	BEARING BOLT	1

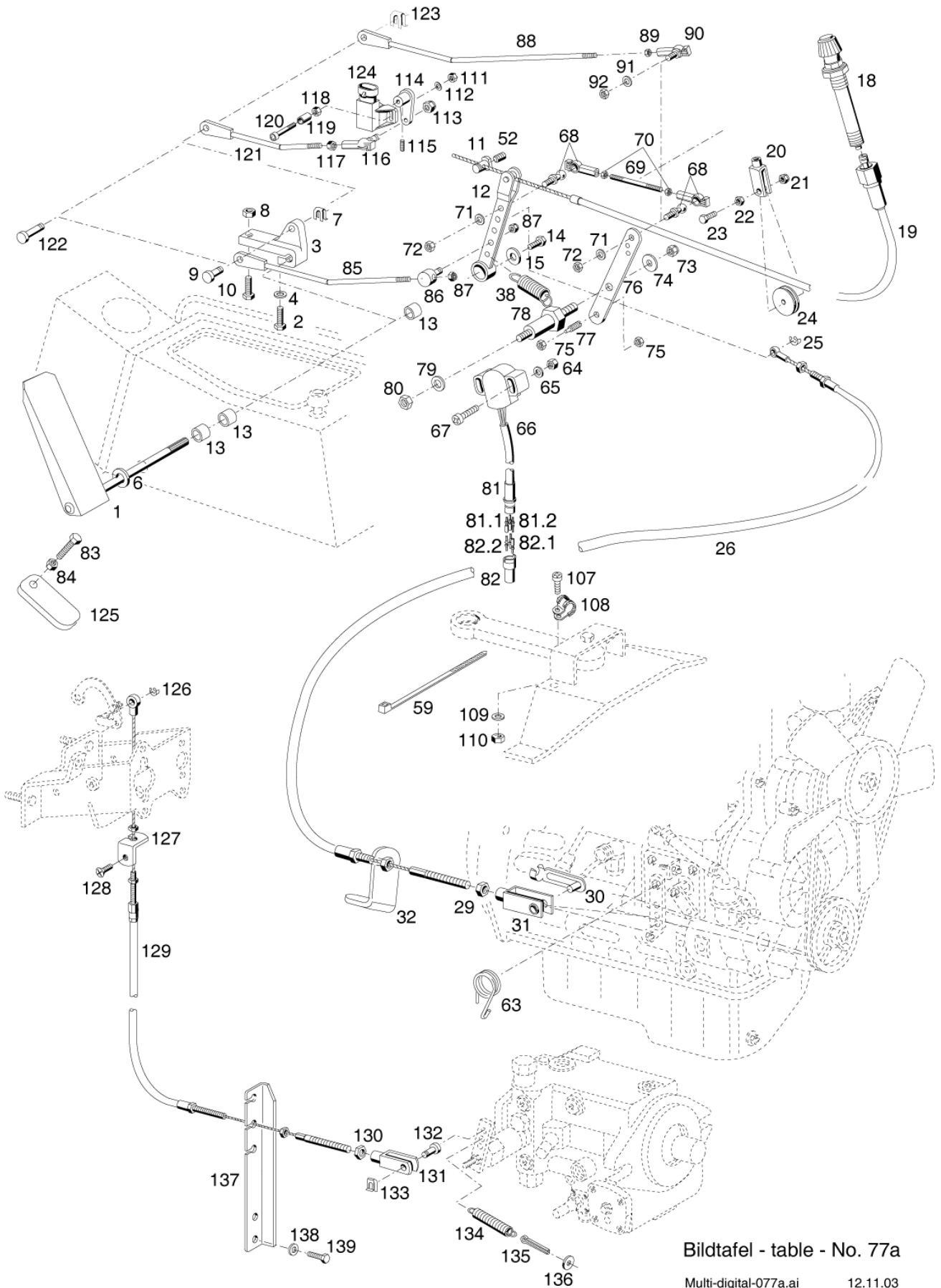
**C 245
C 345**



Bildtafel - table - No. 77

Multi-digital-077.ai 25.08.10

Item no.	Article no.	Description	Quantity
79	010063	SPRING WASHER	1
80	011579	6-HEAD NUT	1
81	029593	HOUSING	1
81.1	029595	CONTACT	2
81.2	029594	PIN KONTAKT	1
82	029592	HOUSING	1
82.1	029595	CONTACT	1
82.2	029594	PIN KONTAKT	2
83	011173	6-HEAD SCREW	1
84	011579	6-HEAD NUT	1
85	154970	154970	1
86	011511	6-HEAD SCREW	1
87	028671	BEARING	1
88	010063	SPRING WASHER	1
89	011579	6-HEAD NUT	1
90	154971	154971	1
91	011530	6-HEAD SCREW	1
92	011585	6-HEAD NUT	1
93	137943	ASHWOOD HANDLE CROSS LEVER	1
94	010064	SPRING WASHER	1
95	011898	6-HEAD SCREW	1
96	011534	6-HEAD SCREW	1
97	011585	6-HEAD NUT	2
98	014379	SMALL CLIP	1
99	134657	ANGLE	1
100	028256	COUNTERSUNK SCREW	1
101	134651	BOWDEN CABLE	1
102	011579	6-HEAD NUT	1
103	022265	FORK HEAD	1
104	022263	BOLT	1
105	022264	SL-FUSE	1
106	015567	TENSION SPRING	1
107	011146	SPLIT PIN	1
108	023819	SHIM	1
109	134656	COUNTER BEARING	1
110	010063	SPRING WASHER	2
111	011509	6-HEAD SCREW	2

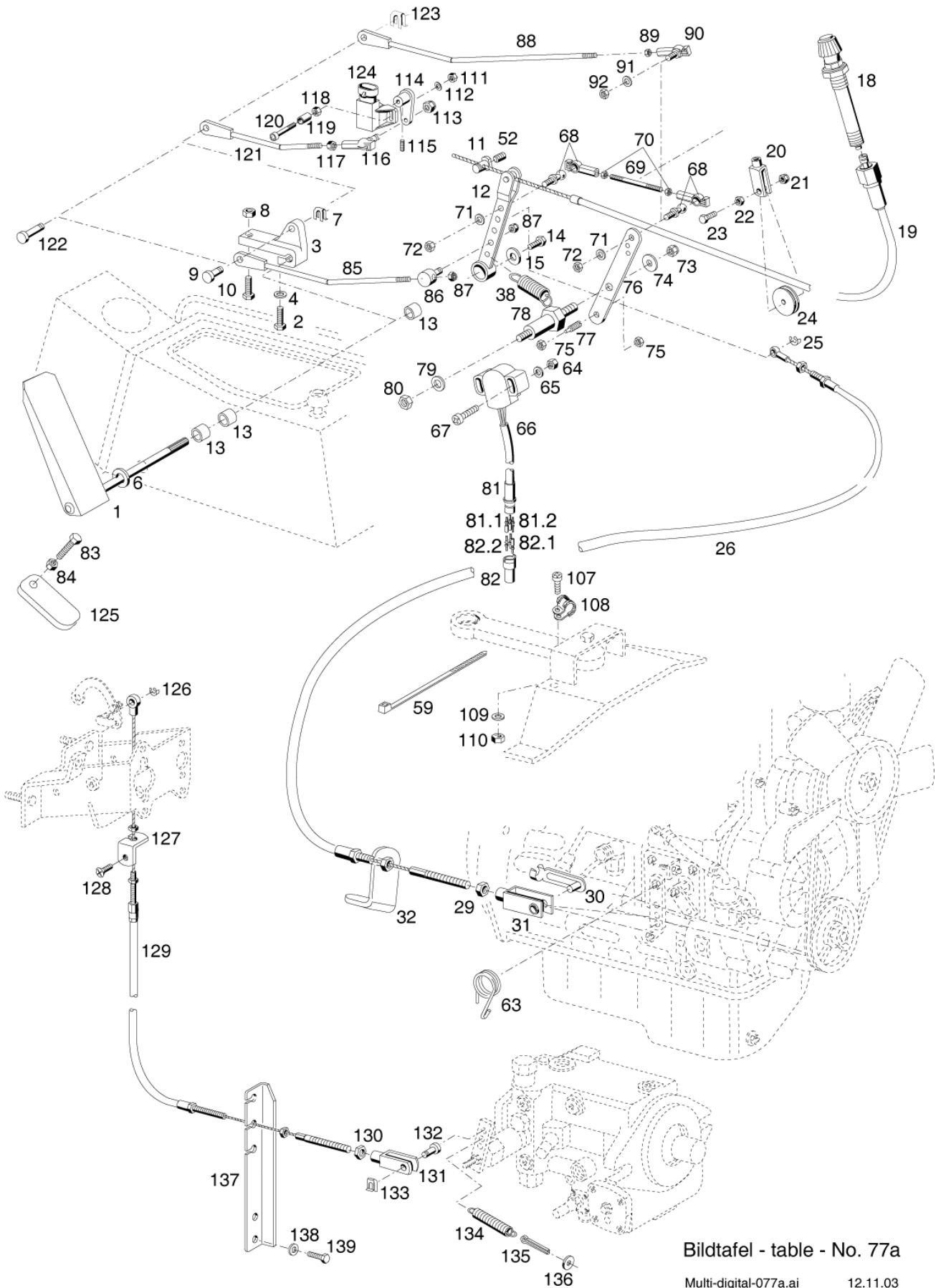


Bildtafel - table - No. 77a

Multi-digital-077a.ai

12.11.03

Item no.	Article no.	Description	Quantity
1	145021	THROTTLE	1
2	011158	6-HEAD SCREW	1
3	145132	LEVER	1
4	011742	SPRING WASHER	1
6	010087	SHIM	1
7	022264	SL-FUSE	1
8	011577	6-HEAD NUT	1
9	022263	BOLT	1
10	011888	Screw	1
11	022563	SCREW NIPPLE	1
12	135243	LEVER	1
13	028671	BEARING	3
14	011154	6-HEAD SCREW	1
15	010464	SHIM	1
18	133005	TRANSDUCER	1
19	133006	CABLE	1
20	022265	FORK HEAD	1
21	011935	6-HEAD NUT	1
22	011579	6-HEAD NUT	1
23	011520	6-HEAD SCREW	1
24	135091	DELECTION PULLEY	1
25	014379	SMALL CLIP	1
26	135234	FOOT GAS SHAFT	1
29	011579	6-HEAD NUT	1
30	013534	ES-BOLZEN	1
31	016622	FORK HEAD	1
32	134848	COUNTER BEARING	1
38	013693	TENSION SPRING	1
52	031380	THREADED PIN	1
59	027250	CABLE BAND	1
63	029043	THREE LEG SPRING	1
64	011571	6-HEAD NUT	2
65	011741	SPRING WASHER	2
66	027097	ANGLE	1
67	010457	LENS HEAD SCREW	2
68	016618	ANGLE JOINT	2
69	029294	PULL ROD	1
70	011577	6-HEAD NUT	2
71	011742	SPRING WASHER	2
72	011577	6-HEAD NUT	2
73	011935	6-HEAD NUT	1
74	012537	SHIM	1
75	011577	6-HEAD NUT	2
76	135076	LEVER	1
77	010079	GRUB SCREW	1
78	027028	BEARING BOLT	1
79	010063	SPRING WASHER	1
80	011579	6-HEAD NUT	1
81	029593	HOUSING	1
81.1	029595	CONTACT	2
81.2	029594	PIN CONTACT	1

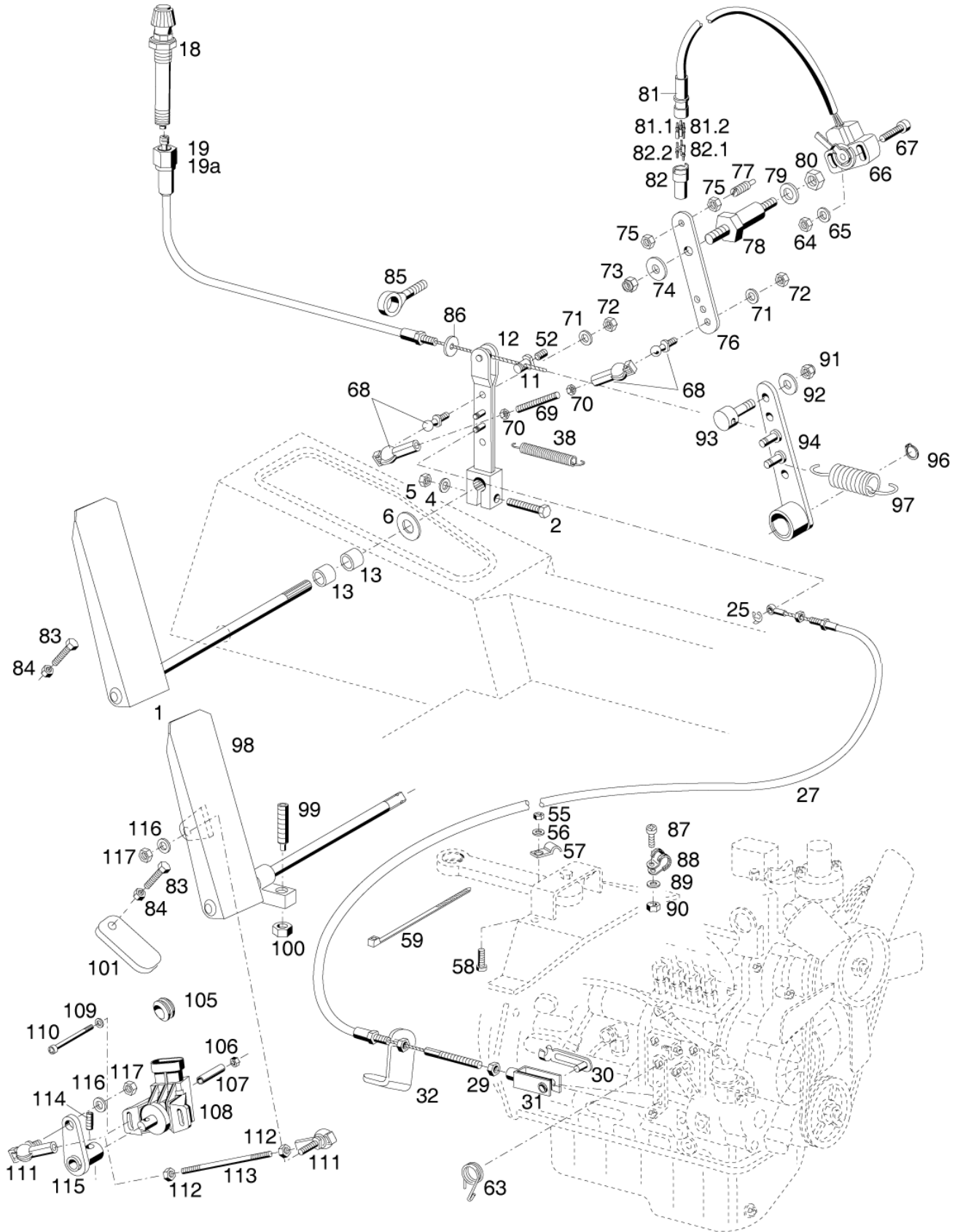


Bildtafel - table - No. 77a

Multi-digital-077a.ai

12.11.03

Item no.	Article no.	Description	Quantity
82	029592	HOUSING	1
82.1	029595	CONTACT	1
82.2	029594	PIN CONTACT	2
83	011173	6-HEAD SCREW	1
84	011579	6-HEAD NUT	1
85	145133	PULL ROD	1
86	145023	NIPPLE	1
87	011683	6-HEAD NUT	2
88	145519	PULL ROD	1
89	011577	6-HEAD NUT	1
90	016618	ANGLE JOINT	1
91	011742	SPRING WASHER	1
92	011577	6-HEAD NUT	1
107	023652	LENS HEAD SCREW	1
108	026557	PIPE CLAMP WITH RUBBER PROFILE	1
109	011742	SPRING WASHER	1
110	011577	6-HEAD NUT	1
110a	145916	KIT, FOR SDS-DRIVE COMFORT	1
111	011571	6-HEAD NUT	2
112	011741	SPRING WASHER	2
113	011683	6-HEAD NUT	1
114	145018	LEVER	1
115	022773	GRUB SCREW	1
116	016618	ANGLE JOINT	1
117	011577	6-HEAD NUT	1
118	011577	6-HEAD NUT	2
119	010606	SPRING PIN	2
120	023888	INNER-6-HEAD SCREW	2
121	145134	PULL ROD	1
122	030545	BOLT	1
123	022264	SL-FUSE	1
124	030525	ANGLE SENSOR (ROTARY POTENTIOMETER)	1
125	145131	FLAP	1
126	014379	SMALL CLIP	1
127	134657	ANGLE	1
128	028256	COUNTERSUNK SCREW	1
129	134651	BOWDEN CABLE	1
130	011579	6-HEAD NUT	1
131	022265	FORK HEAD	1
132	022263	BOLT	1
133	022264	SL-FUSE	1
134	015567	TENSION SPRING	1
135	011146	SPLIT PIN	1
136	023819	SHIM	1
137	134656	COUNTER BEARING	1
138	010063	SPRING WASHER	2
139	011509	6-HEAD SCREW	2

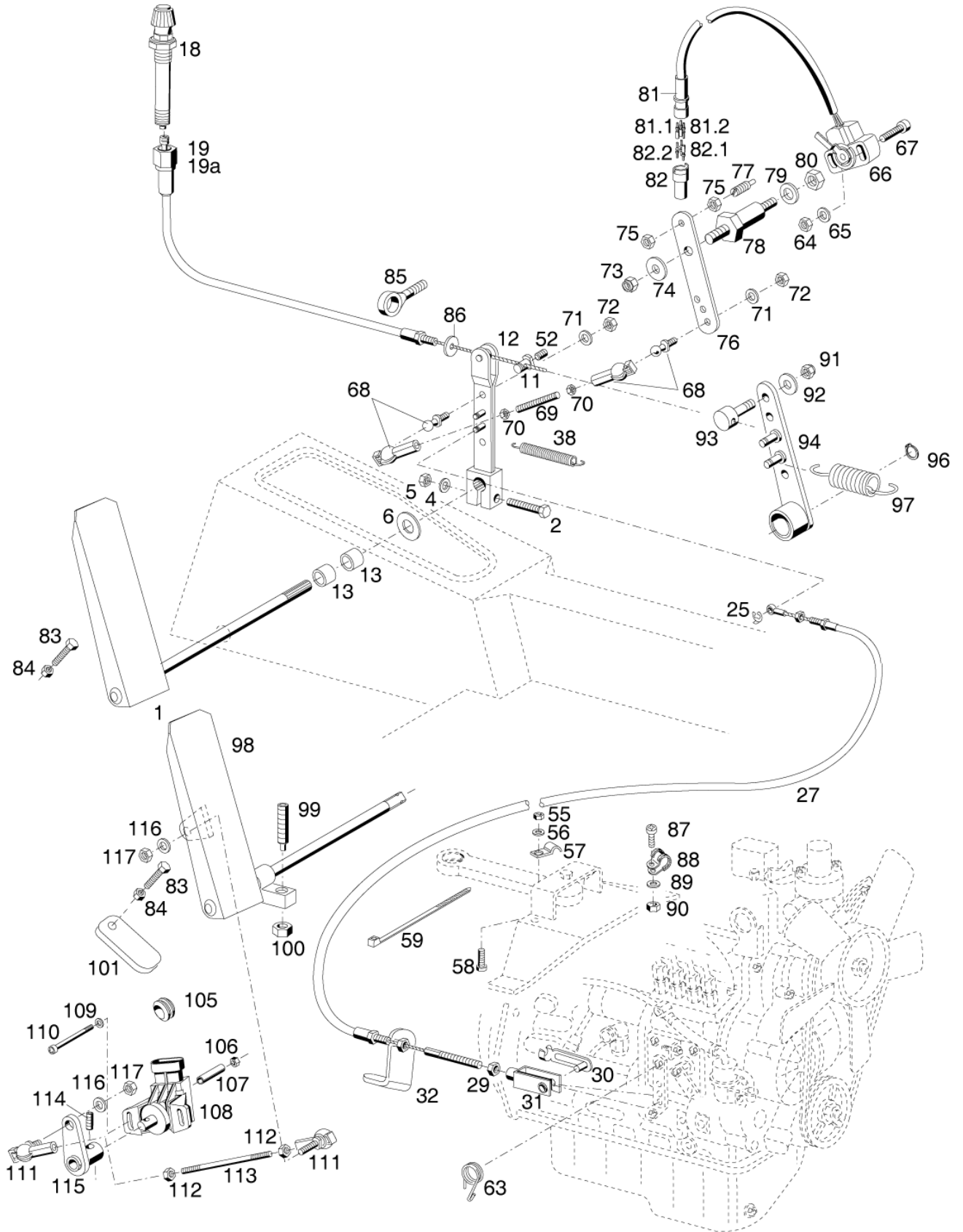


Bildtafel - table - No. 78

Multi-digital-078.ai

17.10.05

Item no.	Article no.	Description	Quantity
1	135239	+GAS PEDAL ASSY. NL.	1
2	011520	6-HEAD SCREW	1
4	010063	SPRING WASHER	1
5	011579	6-HEAD NUT	1
6	010087	SHIM	1
11	022563	SCREW NIPPLE	1
12	135252	+LEVER ASSY. NL.	1
13	028671	BEARING	2
18	133005	TRANSDUCER	1
19	134523	CABLE	1
19a	134567	CABLE	1
25	014379	SMALL CLIP	1
27	134850	FOOT GAS PEDAL CABLE	1
29	011579	6-HEAD NUT	1
30	013534	ES-BOLZEN	1
31	016622	FORK HEAD	1
32	134848	COUNTER BEARING	1
38	013693	TENSION SPRING	1
52	022256	GRUB SCREW	1
55	011576	6-HEAD NUT	1
56	010061	SPRING WASHER	1
57	028998	FIXING SOCKET DIN 72571	1
58	010460	LENS HEAD SCREW	1
59	027250	CABLE BAND	1
63	029043	THREE LEG SPRING	1
64	011571	6-HEAD NUT	2
65	011741	SPRING WASHER	2
66	027097	ANGLE	1
67	010457	LENS HEAD SCREW	2
68	016618	ANGLE JOINT	2
69	022416	SCREWED BOLT	1
70	011577	6-HEAD NUT	2
71	011742	SPRING WASHER	2
72	011577	6-HEAD NUT	2
73	011935	6-HEAD NUT	1
74	012537	SHIM	1
75	011577	6-HEAD NUT	2
76	135076	LEVER	1
77	010079	GRUB SCREW	1
78	027028	BEARING BOLT	1
79	010063	SPRING WASHER	1
80	011579	6-HEAD NUT	1
81	029593	HOUSING	1
81.1	029595	CONTACT	2
81.2	029594	PIN CONTACT	1
82	029592	HOUSING	1
82.1	029595	CONTACT	1
82.2	029594	PIN CONTACT	2
83	011173	6-HEAD SCREW	1
84	011579	6-HEAD NUT	1
85	022592	EYE SCREW	1

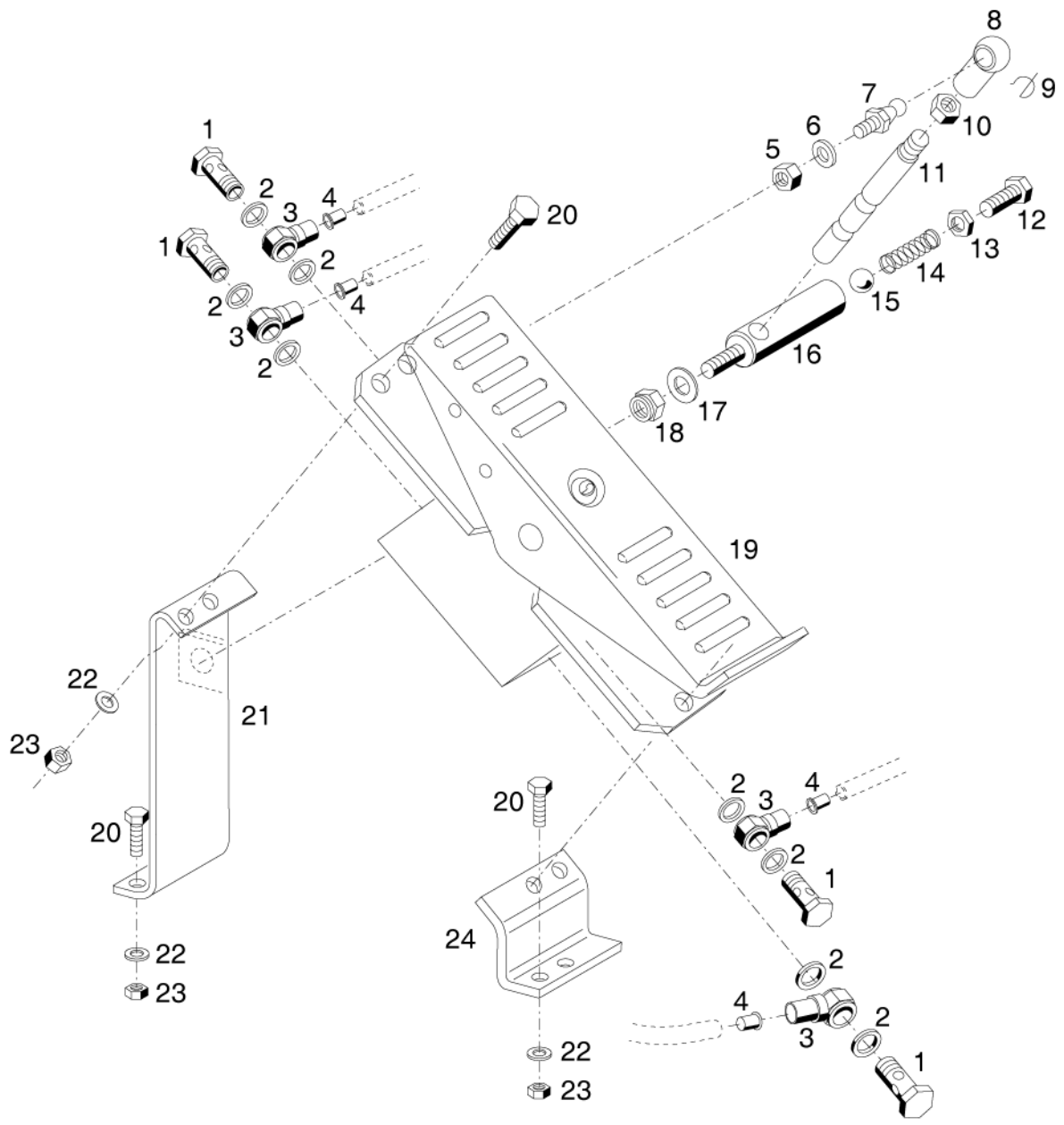


Bildtafel - table - No. 78

Multi-digital-078.ai

17.10.05

Item no.	Article no.	Description	Quantity
86	023819	SHIM	1
87	023652	LENS HEAD SCREW	1
88	026557	PIPE CLAMP WITH RUBBER PROFILE	1
89	011742	SPRING WASHER	1
90	011577	6-HEAD NUT	1
91	011577	6-HEAD NUT	1
92	010464	SHIM	1
93	145023	NIPPLE	1
94	145777	LEVER	1
96	010133	LOCKING RING FOR WAVES	1
97	030613	TENSION SPRING	1
98	145773	THROTTLE	1
99	010079	GRUB SCREW	1
100	011577	6-HEAD NUT	1
101	145131	FLAP	1
102	145916	KIT, FOR SDS-DRIVE COMFORT	1
105	014780	GROMMET	1
106	011571	6-HEAD NUT	2
107	010606	SPRING PIN	2
108	030525	ANGLE SENSOR (ROTARY POTENTIOMETER)	1
109	011741	SPRING WASHER	2
110	023888	INNER-6-HEAD SCREW	2
111	016618	ANGLE JOINT	2
112	011577	6-HEAD NUT	2
113	029294	PULL ROD	1
114	022773	GRUB SCREW	1
115	145018	LEVER	1
116	011742	SPRING WASHER	2
117	011577	6-HEAD NUT	2



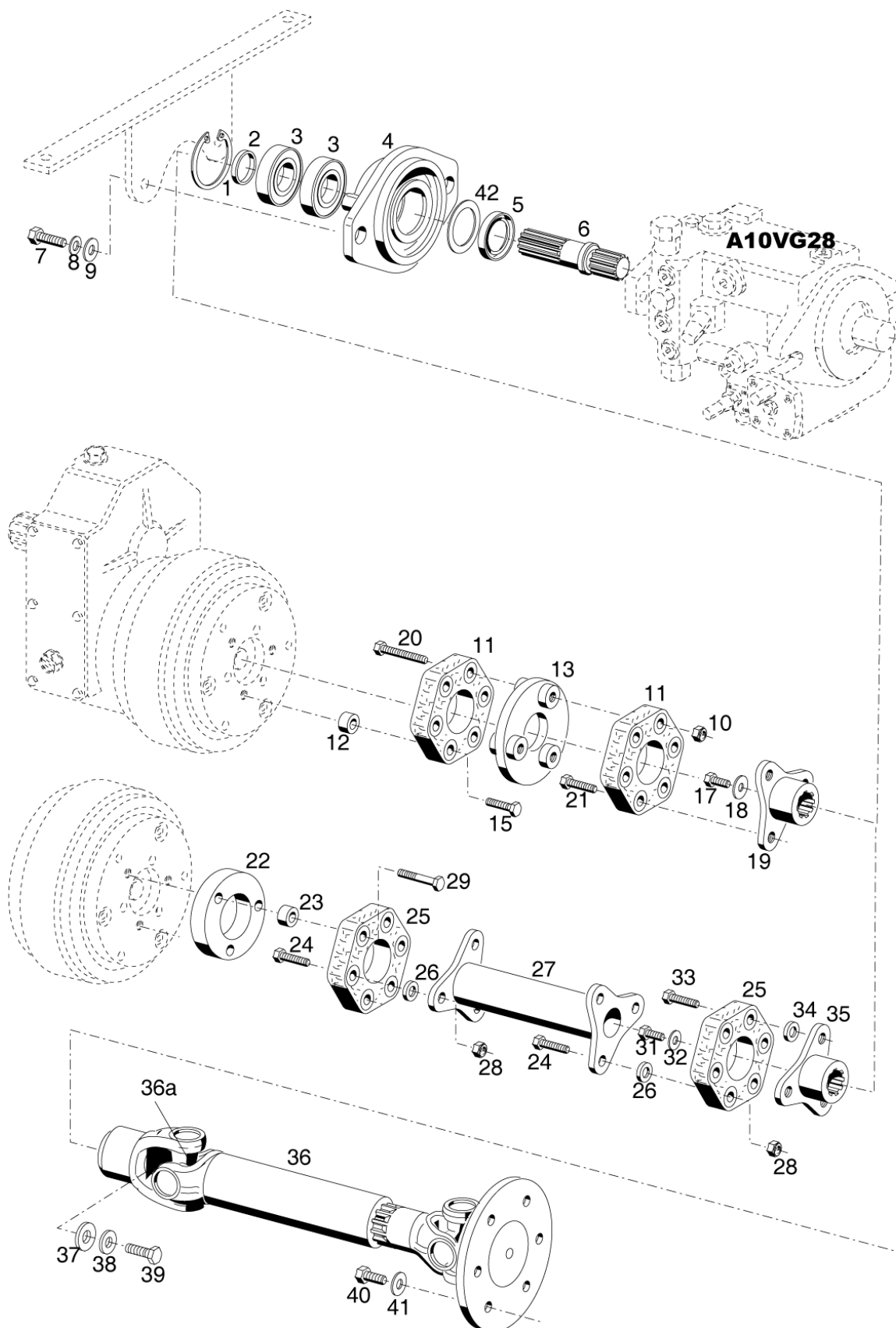
Bildtafel - table - No. 79

Multi-digital-079.ai

01.08.02

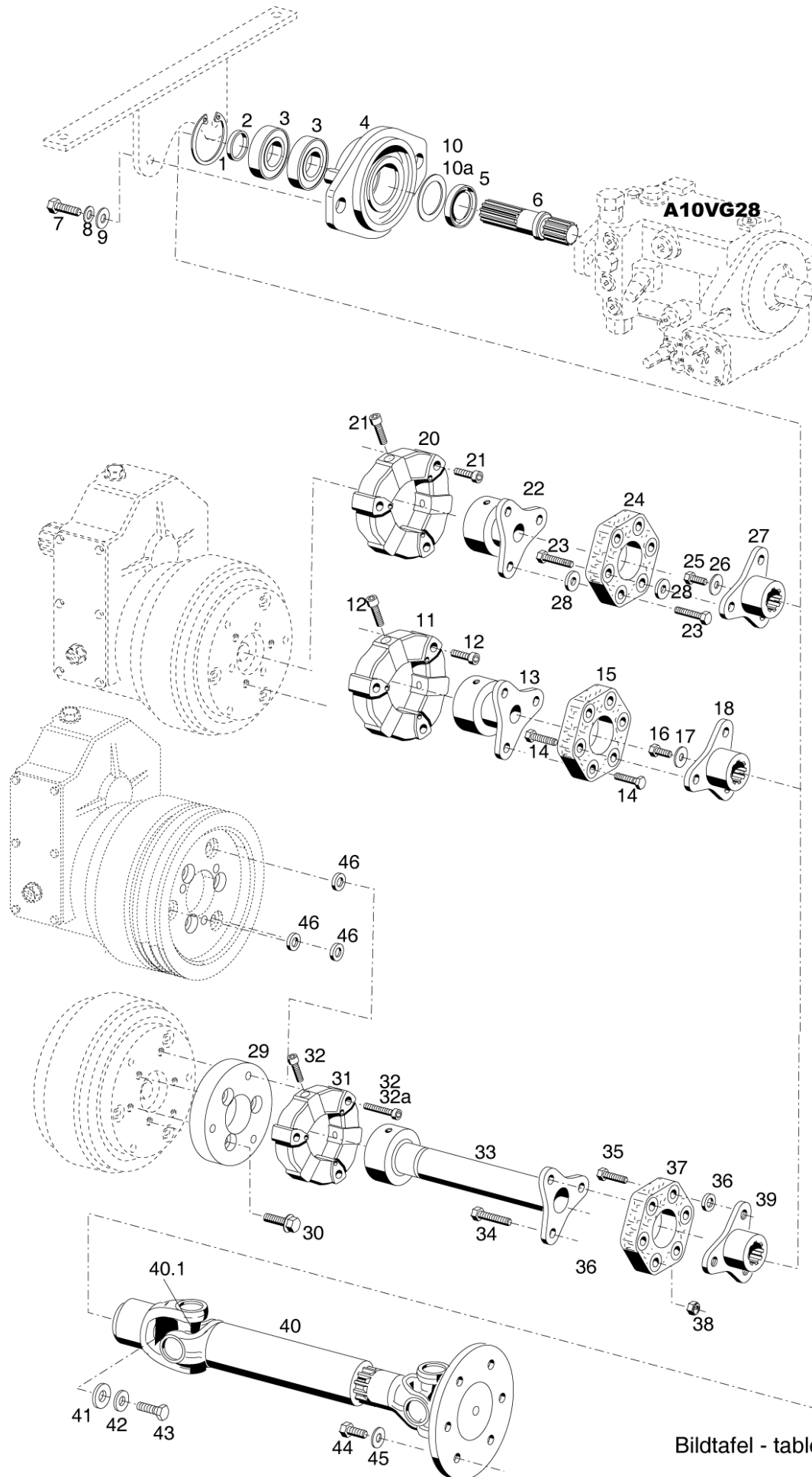
Item no.	Article no.	Description	Quantity
1	028571	HOLLOW SCREW	4
2	028810	GASKET RING	8
3	028569	+RING CONNECTION F WELDED FITTING	4
4	026929	SUPPORT SLEEVE	4
5	011579	6-HEAD NUT	1
6	010063	SPRING WASHER	1
7	023684	BALL PIVOT	1
8	012006	BALL CUP	1
9	012007	SAFETY CATCH	1
10	011753	6-HEAD NUT	1
12	011540	6-HEAD SCREW	1
13	010096	6-HEAD NUT	4
14	029719	PRESSURE SPRING	1
15	010698	BALL	1
17	010047	SHIM	1
18	011687	6-HEAD NUT	1
19	144177	ROCKER PEDAL	1
20	011511	6-HEAD SCREW	8
22	010063	SPRING WASHER	8
23	011579	6-HEAD NUT	8

Item no.	Article no.	Description	Quantity
790	800762	PTO FRONT, TILL 202 000 032; 203 000 879	1
800	800763	PTO FRONT, AS OF 202 000 033; 203 000 880	1
810	800764	FRONT BLOCK, PTO GEAR FRONT, ARRESTOR HOOK TILL 05.99	1
820	800765	FRONT BLOCK, PTO GEAR FRONT, ARRESTOR HOOK AS OF 05.99	1
830	800766	FRONT LIFT	1
840	800767	SPIGOT FOR LIFT, ARRESTOR HOOK	1
850	800768	WHEEL LOAD, HYDRAULIC FOR FRONT LIFT ATTACHMENT	1
860	800769	INDEPENDENT WHEEL LOAD	1
870	800770	KIT HYRAULIC CYLINDER FOR FRONT LIFT	1
880	800771	HYDR. SIDE ADJUSTMENT FOR FRONT LIFT ATTACHMENT	1
890	800772	REAR LIFT, BEARING BOCK, ARRESTOR HOOK	1
900	800773	REAR LIFT SHORT	1
910	800774	KIT AIR ACCUMULATOR	1
920	800775	PTO GEAR REAR, DRIVE SHAFT	1



Bildtafel - table - No. 80a

Item no.	Article no.	Description	Quantity
1	010162	LOCKING RING FOR BORE HOLE	1
2	134284	-SPACER RING C245/345	1
3	010262	GROOVE BALL BEARING	2
4	124348	INTERMEDIATE FLANGE	1
5	030402	SHAFT SEAL	1
6	134282	SHAFT	1
7	011545	6-HEAD SCREW	2
8	010057	SPRING RING	2
9	010047	SHIM	2
10	011685	6-HEAD NUT	3
11	116451	CARDAN WASHER	2
12	140179	SPACER RING	3
13	135521	SCREEN	1
14	146590	RETROFIT KIT	1
15	027274	6-HEAD SCREW	3
17	011527	6-HEAD SCREW	1
18	016505	SHIM	1
19	134283	FLANGE	1
20	011902	6-HEAD SCREW	3
21	011530	6-HEAD SCREW	3
22	135678	SHIM	1
23	134285	SPACER RING	3
24	011532	6-HEAD SCREW	6
25	116451	CARDAN WASHER	2
26	014912	SHIM	6
27	116413	FLANGED SHAT	1
28	011685	6-HEAD NUT	6
29	011105	6-HEAD SCREW	3
30	151370	RETROFIT KIT	1
30.1	151371	RETROFIT KIT	1
31	011527	6-HEAD SCREW	1
32	016505	SHIM	1
33	011530	6-HEAD SCREW	3
34	014912	SHIM	3
35	134283	FLANGE	1
36	133942	CARDAN SHAFT	1
36a	116213	JOINT CROSS	2
37	016505	SHIM	1
38	010064	SPRING WASHER	1
39	026972	6-HEAD SCREW	1
40	023767	6-HEAD SCREW	6
41	010056	SPRING RING	6
42	011692	ADJUSTING DISC	1

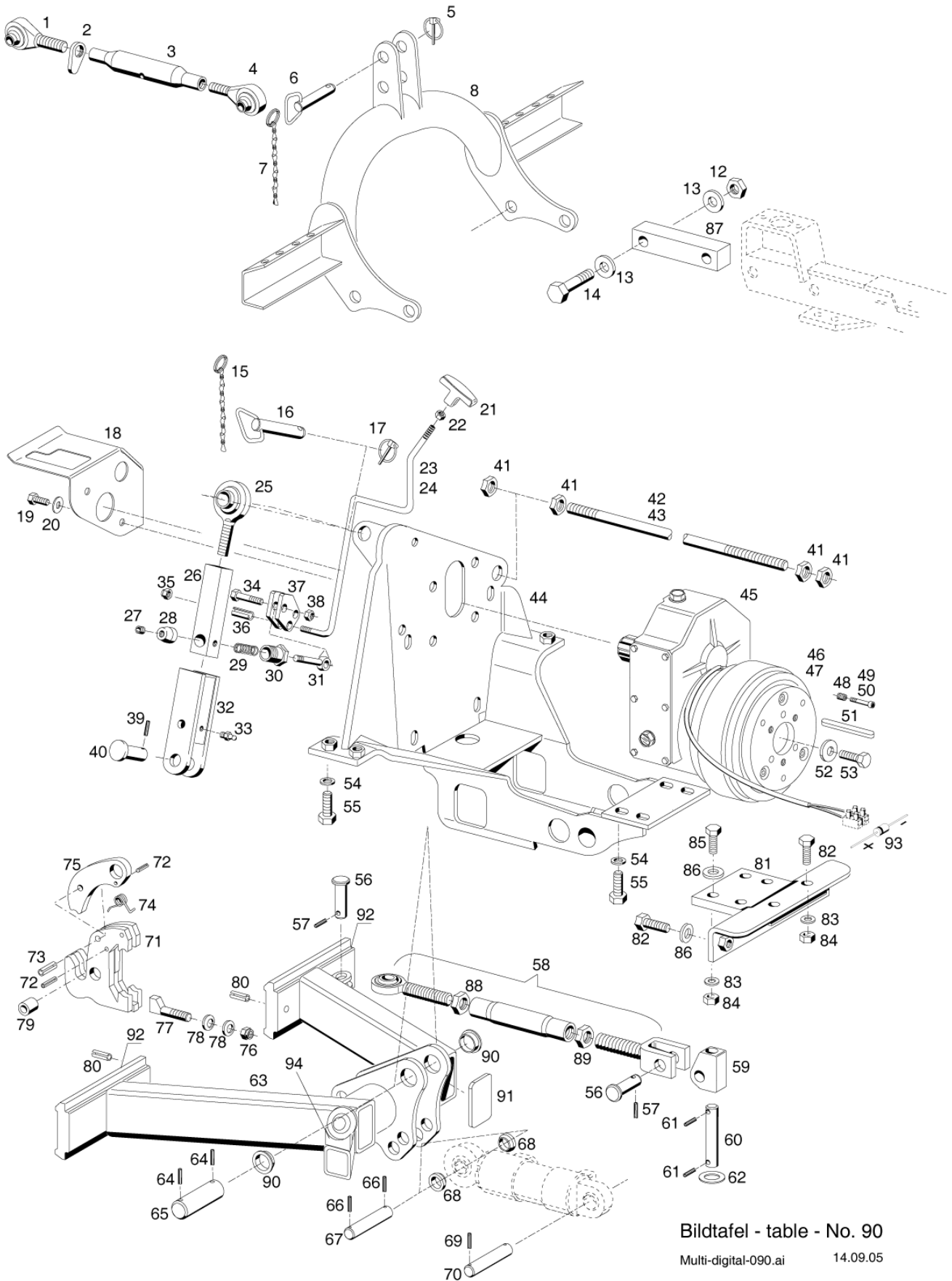


Bildtafel - table - No. 80b

Multi-digital-080b.ai

21.12.10

Item no.	Article no.	Description	Quantity
1	010162	LOCKING RING FOR BORE HOLE	1
2	134284	-SPACER RING C245/345	1
3	010262	GROOVE BALL BEARING	2
4	124348	INTERMEDIATE FLANGE	1
5	030402	SHAFT SEAL	1
6	134282	SHAFT	1
7	011545	6-HEAD SCREW	2
8	010057	SPRING RING	2
9	010047	SHIM	2
10	011692	ADJUSTING DISC	1
10a	011691	ADJUSTING DISC	1
11	136898	CLUTCH	1
12	030696	INNER-6-HEAD SCREW	6
13	146586	+FLANGE	1
14	011530	6-HEAD SCREW	6
15	116451	CARDAN WASHER	1
16	011527	6-HEAD SCREW	1
17	016505	SHIM	1
18	134283	FLANGE	1
20	136898	CLUTCH	1
21	030696	INNER-6-HEAD SCREW	6
22	151051	FLANGE	1
23	011531	6-HEAD SCREW	6
24	116451	CARDAN WASHER	1
25	011527	6-HEAD SCREW	1
26	016505	SHIM	1
27	134283	FLANGE	1
28	014912	SHIM	6
29	151234	DISTANCE DISKD=130X50X21 VZ	1
30	013550	SAFETY SCREW	3
31	136898	CLUTCH	1
32	030696	INNER-6-HEAD SCREW	3
32a	787897	INNER-6-HEAD SCREW	3
33	151233	-FLANGED SHAFT ASSY. NL.	1
34	011532	6-HEAD SCREW	3
35	011531	6-HEAD SCREW	3
36	014912	SHIM	6
37	116451	CARDAN WASHER	2
38	011685	6-HEAD NUT	6
39	134283	FLANGE	1
40	133942	CARDAN SHAFT	1
40.1	116213	JOINT CROSS	2
41	016505	SHIM	1
42	010064	SPRING WASHER	1
43	026972	6-HEAD SCREW	1
44	023767	6-HEAD SCREW	6
45	010056	SPRING RING	6
46	151362	SPACER DISC	3

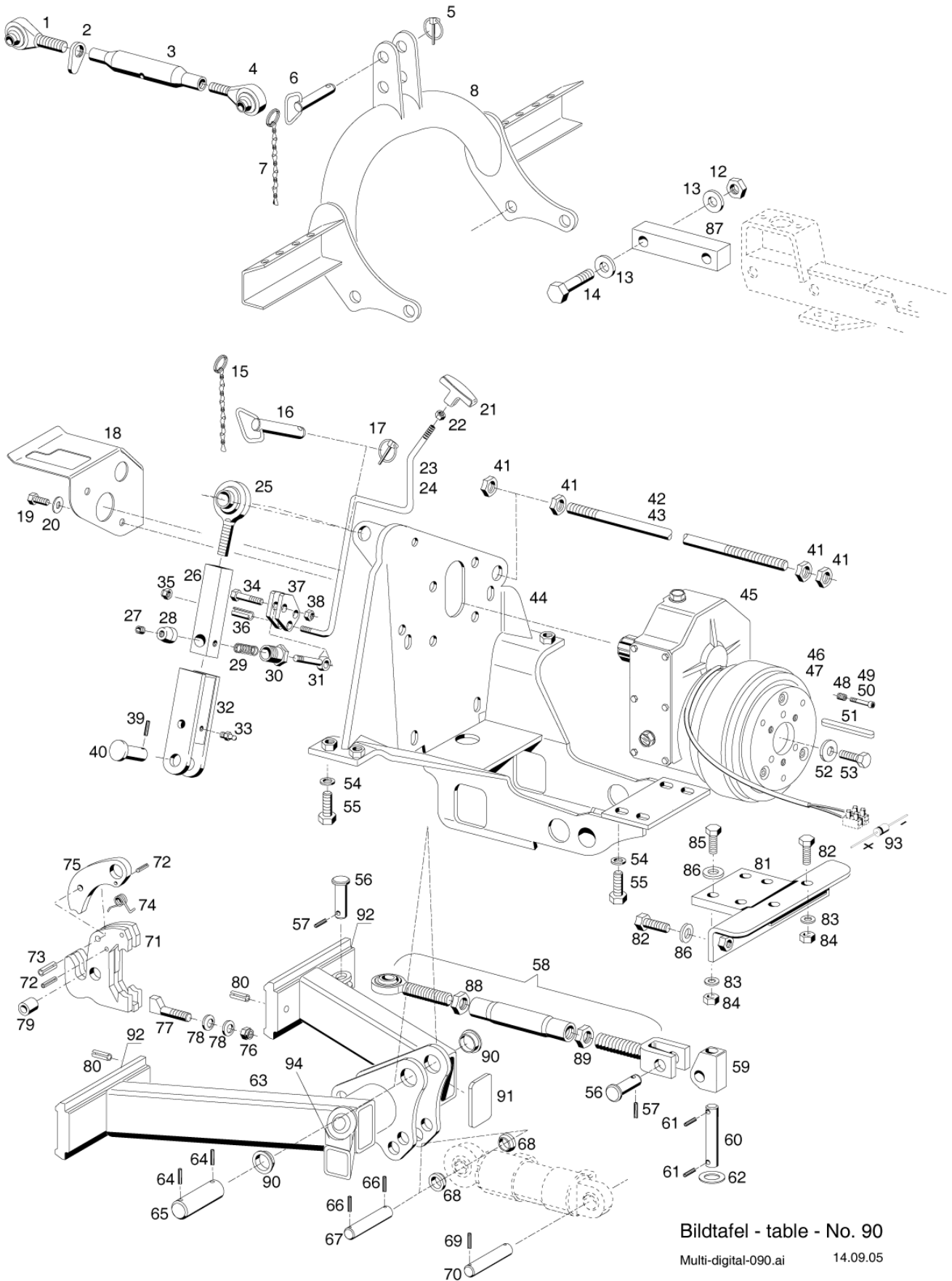


Bildtafel - table - No. 90

Multi-digital-090.ai

14.09.05

Item no.	Article no.	Description	Quantity
0	119333	TOP LINK CATEGORIE 1	1
1	120921	ARTICUALTED LUG RIGHT	1
2	114415	HANDLE NUT	1
3	120920	CLAMPING SLEEVE	1
4	120922	ARTICUALTED LUG LEFT	1
5	010468	LOCKING PIN	1
6	119331	PLUG	1
7	016613	KNOTTED CHAIN	1
8	141208	TOP LINK BLOCK, FRONT	1
12	028746	6-HEAD NUT	4
13	010048	SHIM	8
14	028747	6-HEAD SCREW	4
15	016613	KNOTTED CHAIN	1
16	119331	PLUG	1
17	010468	LOCKING PIN	1
18	135032	PTO SHAFT PROTECTION	1
19	011527	6-HEAD SCREW	4
20	014912	SHIM	4
21	013939	HANDGRIP	1
22	011579	6-HEAD NUT	1
23	135223	GEAR CHANGE ROD	1
24	135150	GEAR CHANGE ROD	1
24.1	134971	INCLINED PENDULUM FRONT	1
25	028532	JOINT SPINGLE	1
26	134976	PISTON	1
27	028521	GRUB SCREW	1
28	136244	CONE	1
29	028533	PRESSURE SPRING	1
30	134977	LIMIT STOP	1
31	028550	EYE SCREW	1
32	136242	INCLINED PENDULUM	1
33	010491	LUBRICATING NIPPLE	1
34	011518	6-HEAD SCREW	1
35	011935	6-HEAD NUT	1
36	028891	SPRING PIN	1
37	134979	CAM	2
38	011935	6-HEAD NUT	1
39	010598	SPRING PIN	1
40	028498	BOLT	1
41	010099	6-HEAD NUT	8
42	135078	TIE ROD	2
43	135079	TIE ROD	2
44	134930	SUPPORT	1
45	134711	PTO GEAR FRONT	1
46	135505	ELECTROMAGNETIC CLUTCH	1
47	135506	+E-MAGNET CLUTCH	1
48	028894	NUT INSERT	2
49	799233	799233	2
50	800489	INNER-6-HEAD SCREW	2
51	028561	FEATHER KEY	1
52	016505	SHIM	1



Bildtafel - table - No. 90

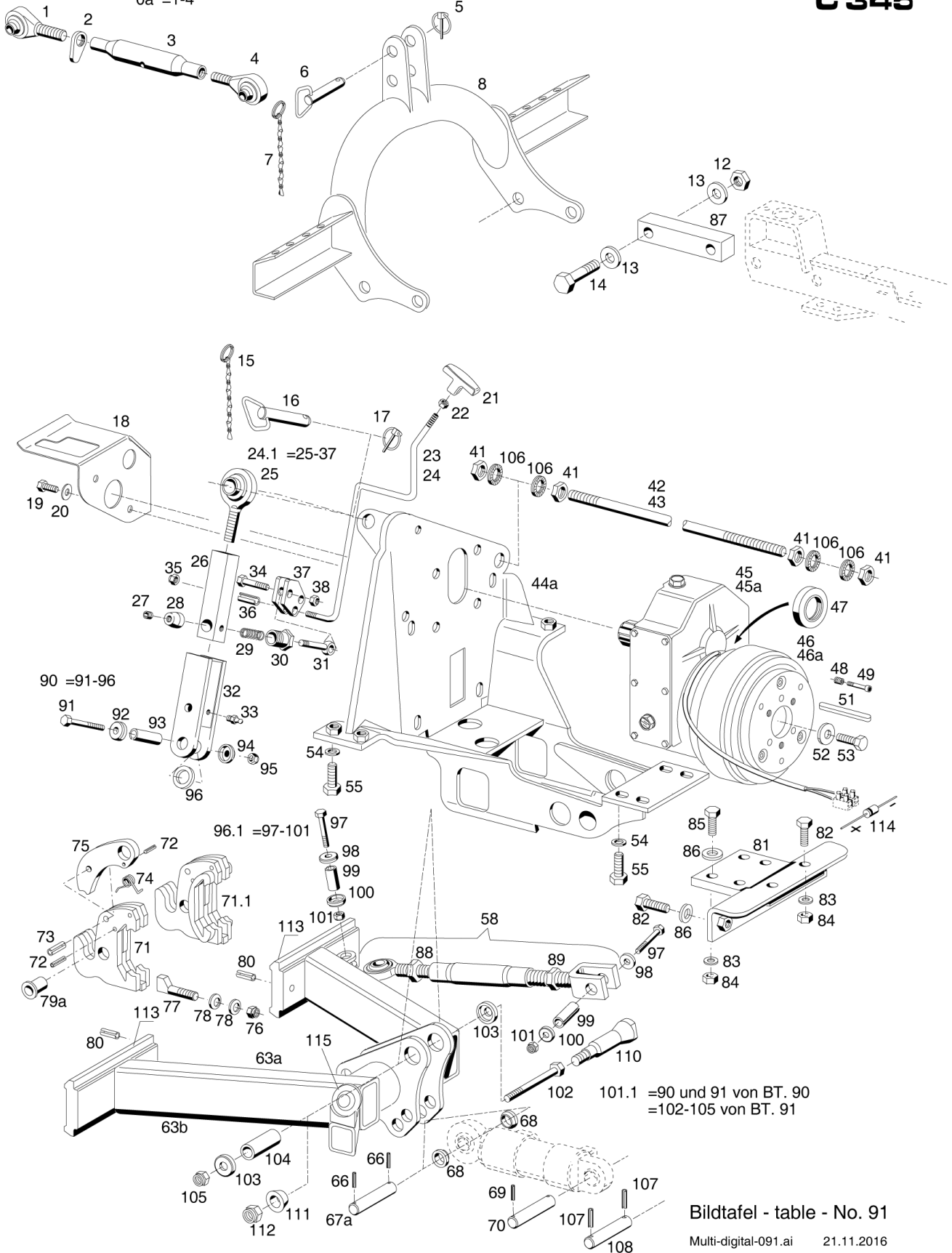
Multi-digital-090.ai

14.09.05

Item no.	Article no.	Description	Quantity
53	011530	6-HEAD SCREW	1
54	029251	Screw washer	6
55	011552	6-HEAD SCREW	6
56	028498	BOLT	2
57	010598	SPRING PIN	2
58	130667	JOINT LOCK	1
59	134992	CARDAN JOINT	1
60	028537	BOLT	1
61	010598	SPRING PIN	2
62	015628	SHIM	1
63	134985	LIFT FRAME	1
63a	139012	+KIT LOWER LINK FRAME NEW	1
64	013706	SPRING PIN	2
65	028539	+BOLT	1
66	010598	SPRING PIN	2
67	028536	+BOLT	1
68	028544	RING	2
69	010603	SPRING PIN	1
70	027732	BOLT	1
71	135686	ARRESTOR HOOK CATEGORY 1	2
71a	135818	1 pair catch hooks, reinforced, CAT 2	2
72	010602	SPRING PIN	4
73	027591	SPRING PIN	2
74	027602	LEG SPRING	2
75	131217	PLUNGER	2
76	011687	6-HEAD NUT	2
77	140185	TENSIONING WEDGE	2
78	028380	TENSION DISC	4
79	138017	COLLAR SLEEVE	4
80	010606	SPRING PIN	2
81	135149	HOLDER	1
82	011552	6-HEAD SCREW	4
83	010066	SPRING WASHER	6
84	024184	6-HEAD NUT	6
85	011554	6-HEAD SCREW	4
86	029251	Screw washer	6
87	136911	TENSIONING BLOCK	2
88	022662	6-HEAD NUT	1
89	029376	6-HEAD NUT	1
90	029384	WELDED SOCKET	2
91	139074	CAP	2
92	130314	RAIL	2
93	027136	DIODE BY 254	1
94	027502	HINGE BEARING	1

C 245
C 345

0 =1-7, 15-17, 25-38, 58-71, 80, 91-115
0a =1-4



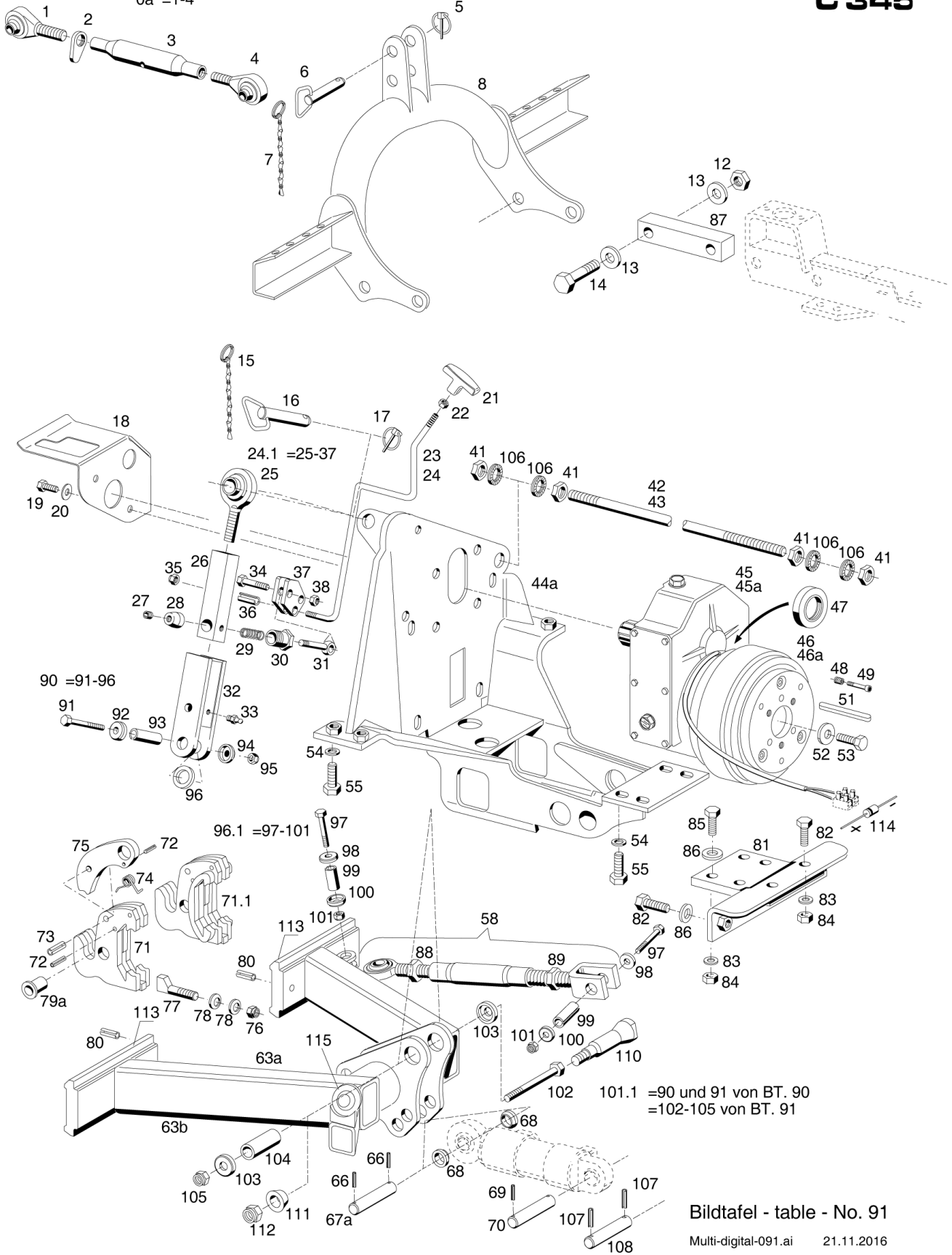
Bildtafel - table - No. 91

Multi-digital-091.ai 21.11.2016

Item no.	Article no.	Description	Quantity
0	147068	FRONT LIFT	1
0a	119333	TOP LINK CATEGORIE 1	1
1	120921	ARTICUALTED LUG RIGHT	1
2	114415	HANDLE NUT	1
3	120920	CLAMPING SLEEVE	1
4	120922	ARTICUALTED LUG LEFT	1
5	010468	LOCKING PIN	1
6	119331	PLUG	1
7	016613	KNOTTED CHAIN	1
8	141208	TOP LINK BLOCK, FRONT	1
12	028746	6-HEAD NUT	4
13	010048	SHIM	8
14	028747	6-HEAD SCREW	4
15	016613	KNOTTED CHAIN	1
16	119331	PLUG	1
17	010468	LOCKING PIN	1
18	135032	PTO SHAFT PROTECTION	1
19	011527	6-HEAD SCREW	4
20	014912	SHIM	4
21	013939	HANDGRIP	1
22	011579	6-HEAD NUT	1
23	135223	GEAR CHANGE ROD	1
24	135150	GEAR CHANGE ROD	1
24.1	134971	INCLINED PENDULUM FRONT	1
25	028532	JOINT SPINGLE	1
26	134976	PISTON	1
27	028521	GRUB SCREW	1
28	136244	CONE	1
29	028533	PRESSURE SPRING	1
30	134977	LIMIT STOP	1
31	028550	EYE SCREW	1
32	136242	INCLINED PENDULUM	1
33	010491	LUBRICATING NIPPLE	1
34	011518	6-HEAD SCREW	1
35	011935	6-HEAD NUT	1
36	028891	SPRING PIN	1
37	134979	CAM	2
38	011935	6-HEAD NUT	1
41	010099	6-HEAD NUT	8
42	135078	TIE ROD	2
43	135079	TIE ROD	2
44a	138875	BEARING BOCK	1
45	134711	PTO GEAR FRONT	1
45a	138016	P.T.O. GEARBOX	1
46	135505	ELECTROMAGNETIC CLUTCH	1
46a	150163	ELECTROMAGNETIC CLUTCH	1
47	010667	SHAFT SEAL	1
48	028894	NUT INSERT	2
49	799233	799233	2
51	028561	FEATHER KEY	1
52	016505	SHIM	1

C 245
C 345

0 =1-7, 15-17, 25-38, 58-71, 80, 91-115
0a =1-4



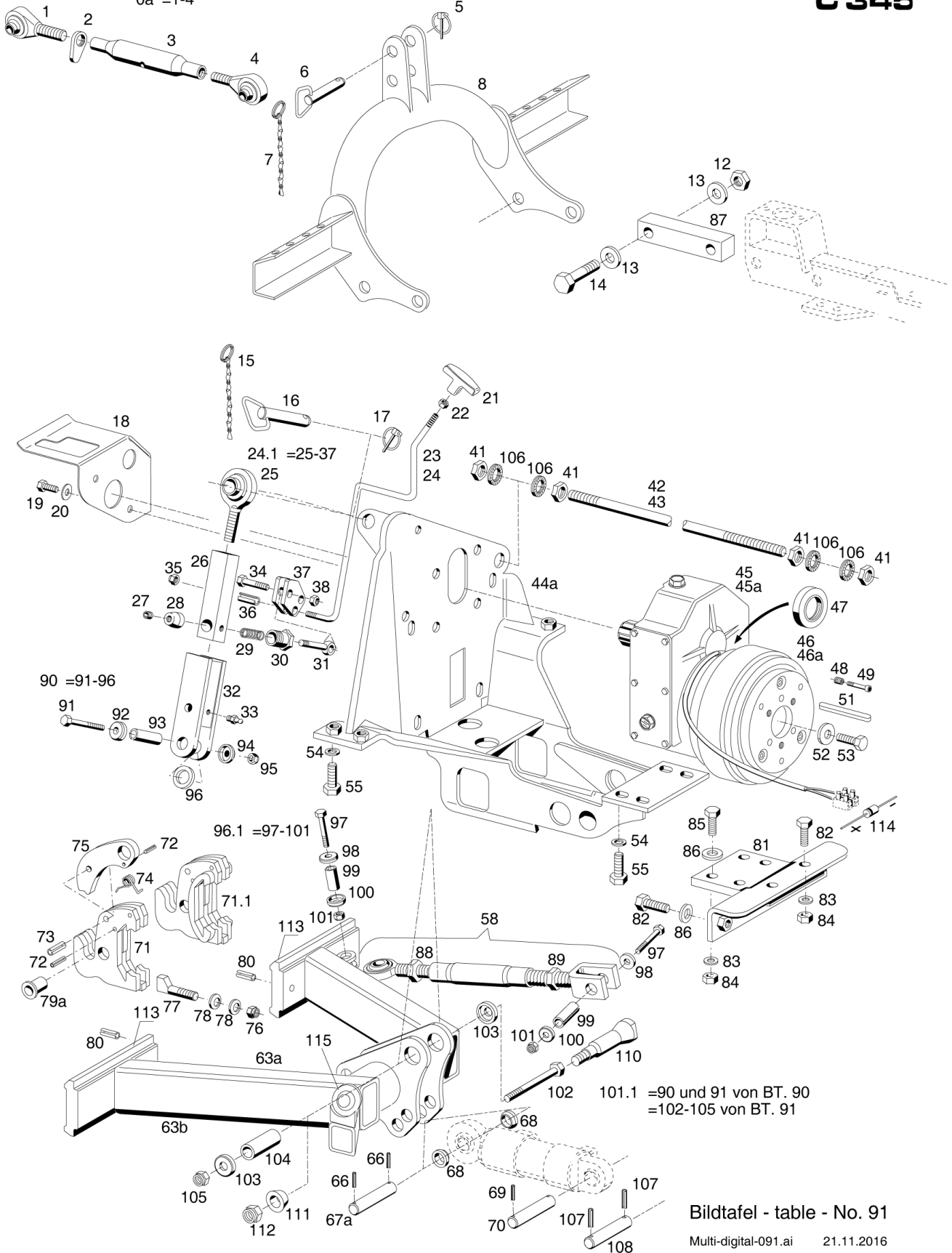
Bildtafel - table - No. 91

Multi-digital-091.ai 21.11.2016

Item no.	Article no.	Description	Quantity
53	011530	6-HEAD SCREW	1
54	029251	Screw washer	6
55	011552	6-HEAD SCREW	6
58	130667	JOINT LOCK	1
63a	138900	+LOWER LINK FRAME ASSY. NL.	1
63b	143319	LIFT FRAME	1
66	010598	SPRING PIN	2
67a	029404	BOLT	1
68	028544	RING	2
69	010603	SPRING PIN	1
70	027732	BOLT	1
71	135686	ARRESTOR HOOK CATEGORY 1	2
71.1	135818	1 pair catch hooks, reinforced, CAT 2	2
72	010602	SPRING PIN	4
73	027591	SPRING PIN	2
74	027602	LEG SPRING	2
75	131217	PLUNGER	2
76	011687	6-HEAD NUT	2
77	140185	TENSIONING WEDGE	2
78	028380	TENSION DISC	4
79a	138017	COLLAR SLEEVE	4
80	010606	SPRING PIN	2
81	135149	HOLDER	1
82	011552	6-HEAD SCREW	4
83	010066	SPRING WASHER	6
84	024184	6-HEAD NUT	6
85	029251	Screw washer	4
86	029251	Screw washer	6
87	136911	TENSIONING BLOCK	2
88	022662	6-HEAD NUT	1
89	029376	6-HEAD NUT	1
90	139011	+ CONVERSION KIT FOR BOLT 028498	1
91	011881	6-HEAD SCREW	1
92	015653	SHIM	1
93	029377	SPRING PIN	1
94	029391	SHIM	1
95	011687	6-HEAD NUT	1
96	028733	ADJUSTING DISC	1
96.1	139011	+ CONVERSION KIT FOR BOLT 028498	1
97	011881	6-HEAD SCREW	2
98	015653	SHIM	2
99	029377	SPRING PIN	2
100	029391	SHIM	2
101	011687	6-HEAD NUT	2
101.1	139007	REVERSION KIT	1
102	029390	6-HEAD SCREW	1
103	029383	SHIM	2
104	138897	BEARING BOLT	1
105	028746	6-HEAD NUT	1
106	029917	SCREW WASHER	8
107	010610	SPRING PIN	2

C 245
C 345

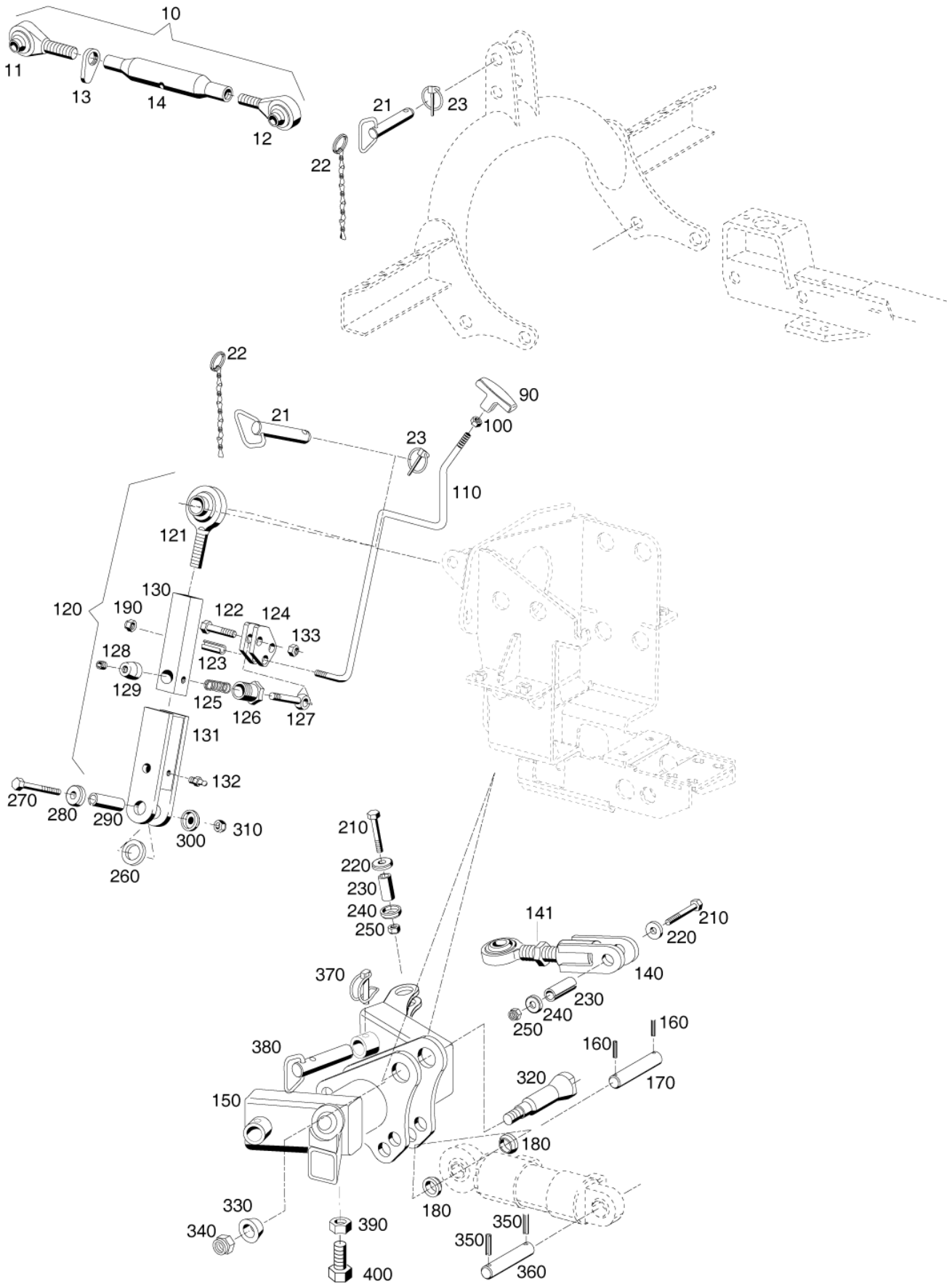
0 =1-7, 15-17, 25-38, 58-71, 80, 91-115
0a =1-4



Bildtafel - table - No. 91

Multi-digital-091.ai 21.11.2016

Item no.	Article no.	Description	Quantity
108	029908	BOLT	1
110	143320	CONE BOLT	1
111	143321	CONE RING	1
112	027921	6-HEAD NUT	1
113	130314	RAIL	2
114	027136	DIODE BY 254	1
115	027502	HINGE BEARING	1

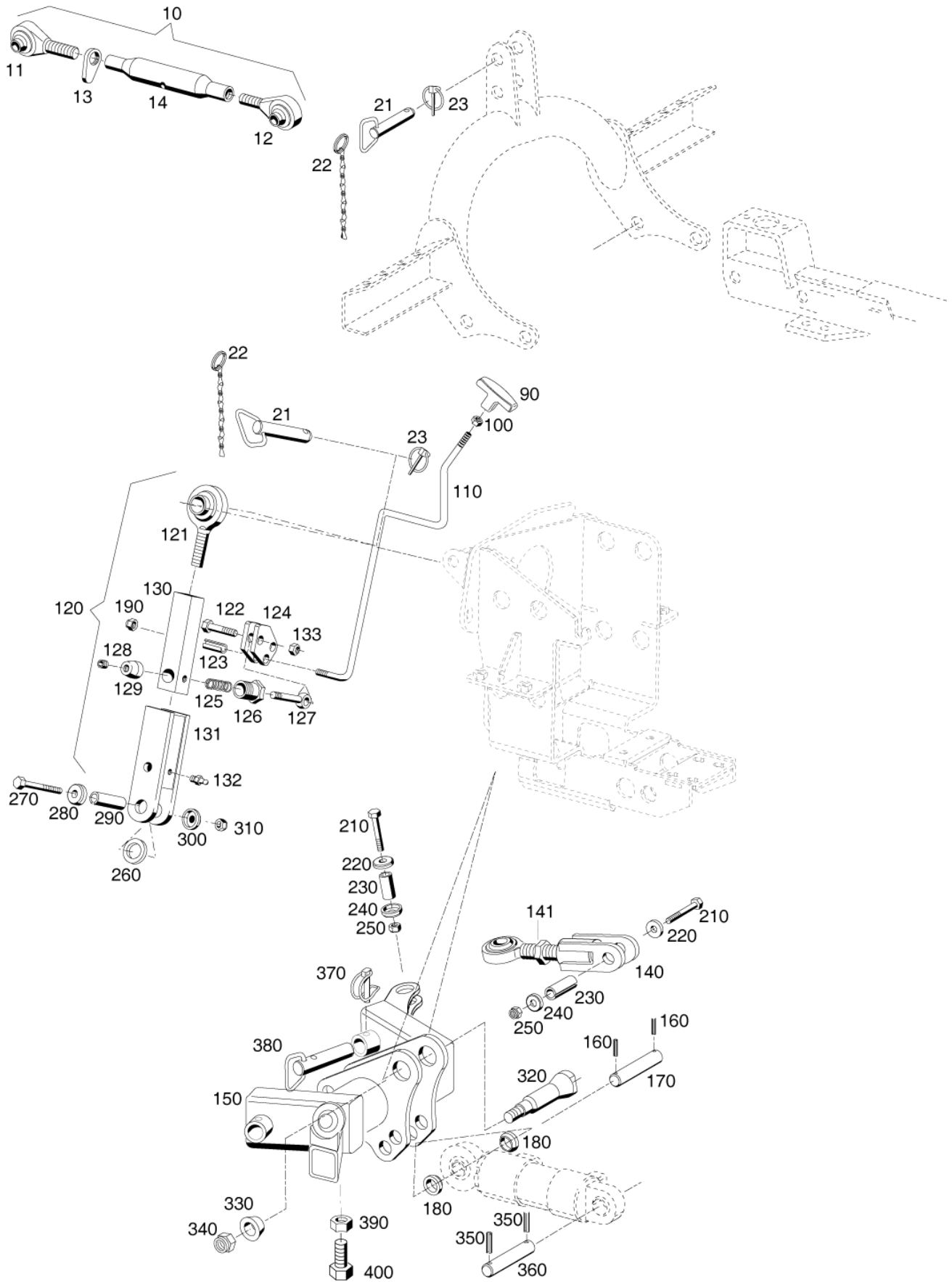


Bildtafel - table - No. 91a

Multi-digital-91a

06.01.06

Item no.	Article no.	Description	Quantity
0	147059	lifting attachments	1
10	119333	TOP LINK CATEGORIE 1	1
11	120921	ARTICUALTED LUG RIGHT	1
12	120922	ARTICUALTED LUG LEFT	1
13	114415	HANDLE NUT	1
14	120920	CLAMPING SLEEVE	1
21	119331	PLUG	2
22	016613	KNOTTED CHAIN	2
23	010468	LOCKING PIN	2
90	013939	HANDGRIP	1
100	011579	6-HEAD NUT	1
110	135223	GEAR CHANGE ROD	1
115	135150	GEAR CHANGE ROD	1
120	134971	INCLINED PENDULUM FRONT	1
121	028532	JOINT SPINGLE	1
122	011518	6-HEAD SCREW	1
123	028891	SPRING PIN	1
124	134979	CAM	2
125	028533	PRESSURE SPRING	1
126	134977	LIMIT STOP	1
127	028550	EYE SCREW	1
128	028521	GRUB SCREW	1
129	136244	CONE	1
130	134976	PISTON	1
131	136242	INCLINED PENDULUM	1
132	010491	LUBRICATING NIPPLE	1
133	011935	6-HEAD NUT	1
140	147266	JOINT LOCK	1
141	022662	6-HEAD NUT	1
150	147267	LIFT FRAME	1
160	010598	SPRING PIN	2
170	029404	BOLT	1
180	028544	RING	2
190	011935	6-HEAD NUT	1
210	011881	6-HEAD SCREW	2
220	015653	SHIM	2
230	029377	SPRING PIN	2
240	029391	SHIM	2
250	011687	6-HEAD NUT	2
260	028733	ADJUSTING DISC	1
270	011881	6-HEAD SCREW	2
280	015653	SHIM	2
290	029377	SPRING PIN	2
300	029391	SHIM	2
310	011687	6-HEAD NUT	2
320	143320	CONE BOLT	1
330	143321	CONE RING	1
340	027921	6-HEAD NUT	1
350	010610	SPRING PIN	2
360	029908	BOLT	1
370	030760	PIPE LINCH PIN	2

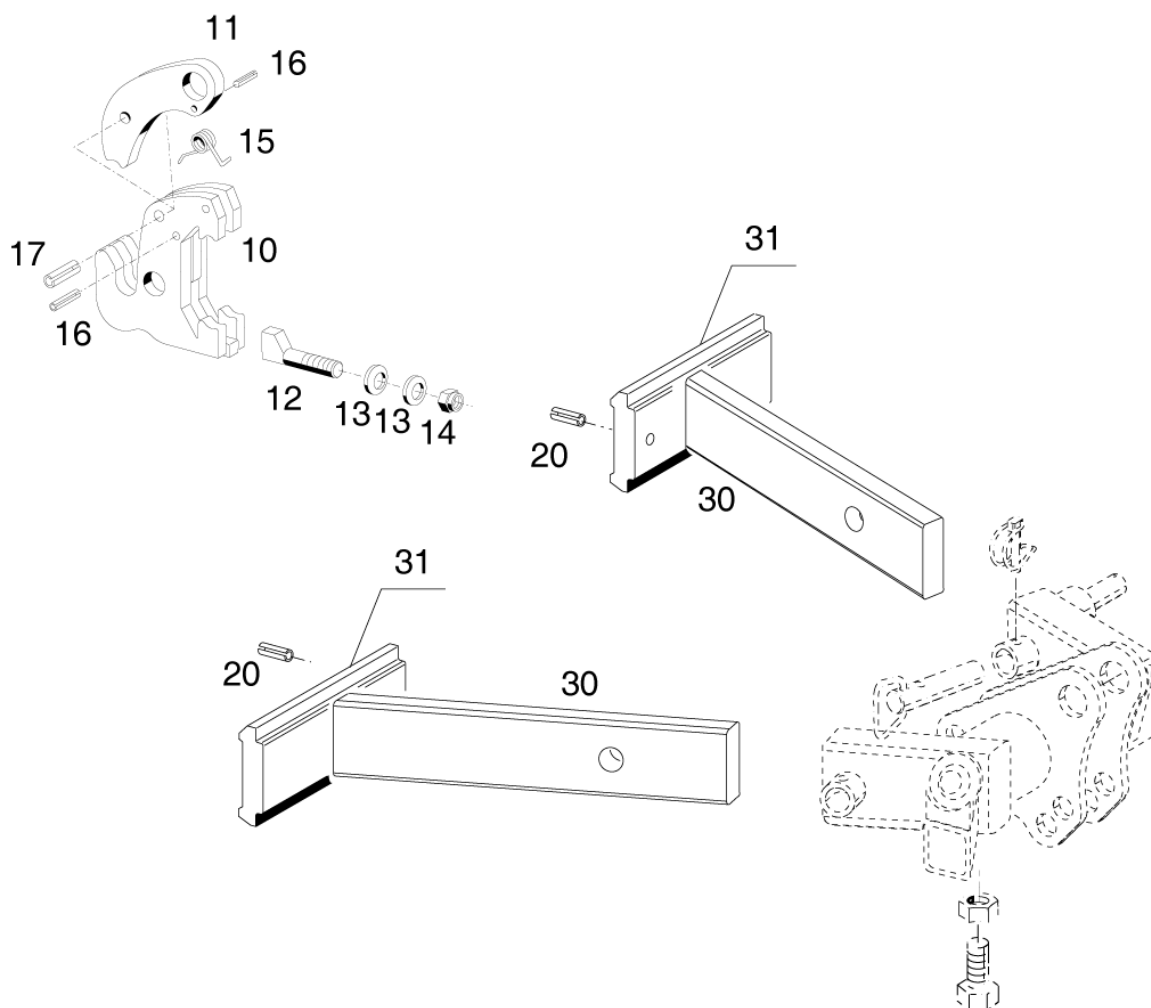


Bildtafel - table - No. 91a

Multi-digital-91a

06.01.06

Item no.	Article no.	Description	Quantity
380	147265	PLUG ASS.	2
390	011597	6-HEAD NUT	2
400	011561	6-HEAD SCREW	2



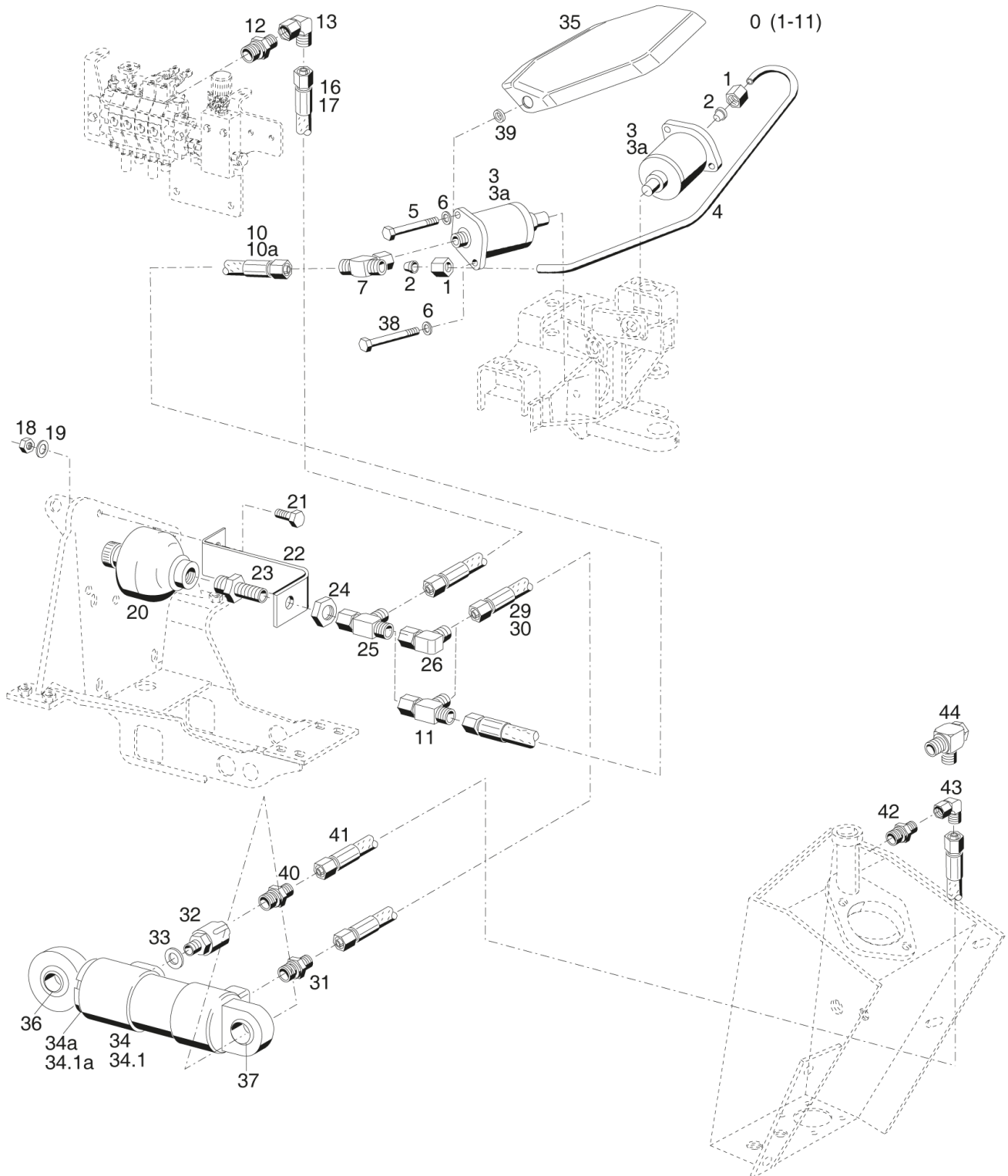
Bildtafel - table - No. 91b

Multi-digital-91b

18.01.06

Item no.	Article no.	Description	Quantity
0	146592	SPIGOTS	1
10	135686	ARRESTOR HOOK CATEGORY 1	2
11	131217	PLUNGER	2
12	140185	TENSIONING WEDGE	2
13	028380	TENSION DISC	4
14	011687	6-HEAD NUT	2
15	027602	LEG SPRING	2
16	027591	SPRING PIN	4
17	010602	SPRING PIN	2
20	010606	SPRING PIN	2
30	147052	SPIGOTS	2
31	130314	RAIL	2

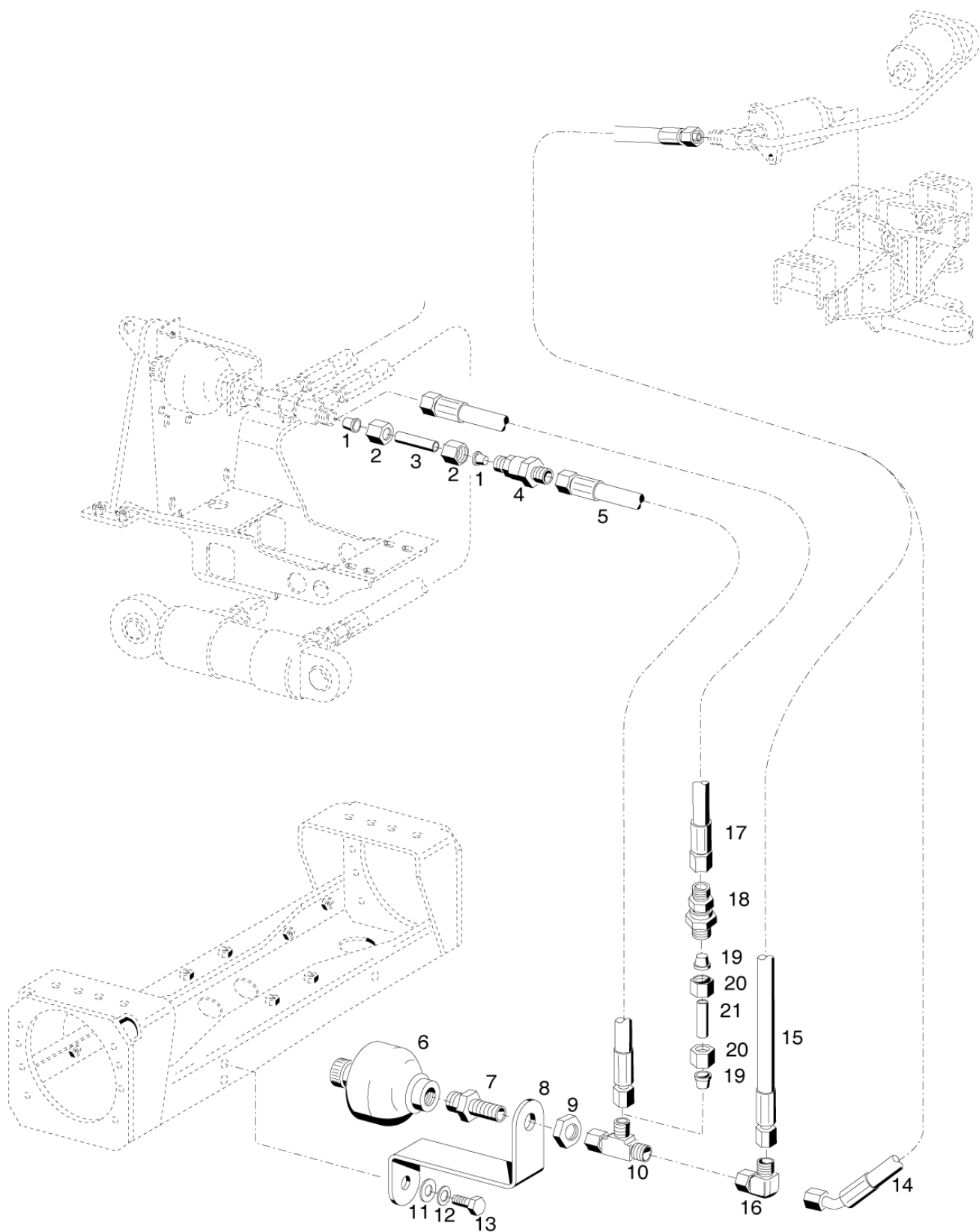
C245
C345



Bildtafel - table - No. 92

Multi-digital-092.ai 12.11.2013

Item no.	Article no.	Description	Quantity
0	135146	WHEEL LOAD	1
1	015723	UNION NUT	1
2	015749	PROFILE RING	2
3	135145	CYLINDER	2
3a	140486	GASKET KIT	1
4	135665	PRESSURE LINE	1
5	011111	6-HEAD SCREW	2
6	010064	SPRING WASHER	4
7	028623	ADJUSTABEL T-FITTING	1
10	019302	HIGH PRESSURE HOSE	1
10a	019287	HIGH PRESSURE HOSE	1
11	028621	ADJUSTABEL L-FITTING	1
12	028606	STRAIGHT SCREW-IN FITTING	1
13	028616	ADJUSTABEL ANGEL BRACKET	1
16	019289	HIGH PRESSURE HOSE	1
17	019302	HIGH PRESSURE HOSE	1
18	011579	6-HEAD NUT	1
19	010044	SHIM	1
20	136678	DIAPHRAGM ACCUMULATOR (30 BAR)	1
21	011514	6-HEAD SCREW	1
22	132765	HOLDER	1
23	023506	BULKHEAD UNION	1
24	011755	6-HEAD NUT	1
25	028621	ADJUSTABEL L-FITTING	1
26	028616	ADJUSTABEL ANGEL BRACKET	1
29	019287	HIGH PRESSURE HOSE	1
30	019302	HIGH PRESSURE HOSE	1
31	028607	STRAIGHT SCREW-IN FITTING	1
32	018782	BREATHER FILTER	1
33	010392	GASKET RING	1
34	134991	LIFTING CYLINDER	1
34.1	158103	TIPPING CYLINDER	1
34a	788546	GASKET KIT	1
34.1a	802207	+DICHTUNGSSATZ FÜR HUBZYLINDER 158103 C245/345	1
35	143182	COVER	1
36	030314	HINGE BEARING	1
37	782027	HINGE BEARING	1
38	026588	6-HEAD SCREW	2
39	151175	SPACER RING	2
40	028607	STRAIGHT SCREW-IN FITTING	1
41	027909	HIGH PRESSURE HOSE	1
42	028604	STRAIGHT SCREW-IN FITTING	1
43	028616	ADJUSTABEL ANGEL BRACKET	1
44	031936	ANGLE SWING SOCKET	1

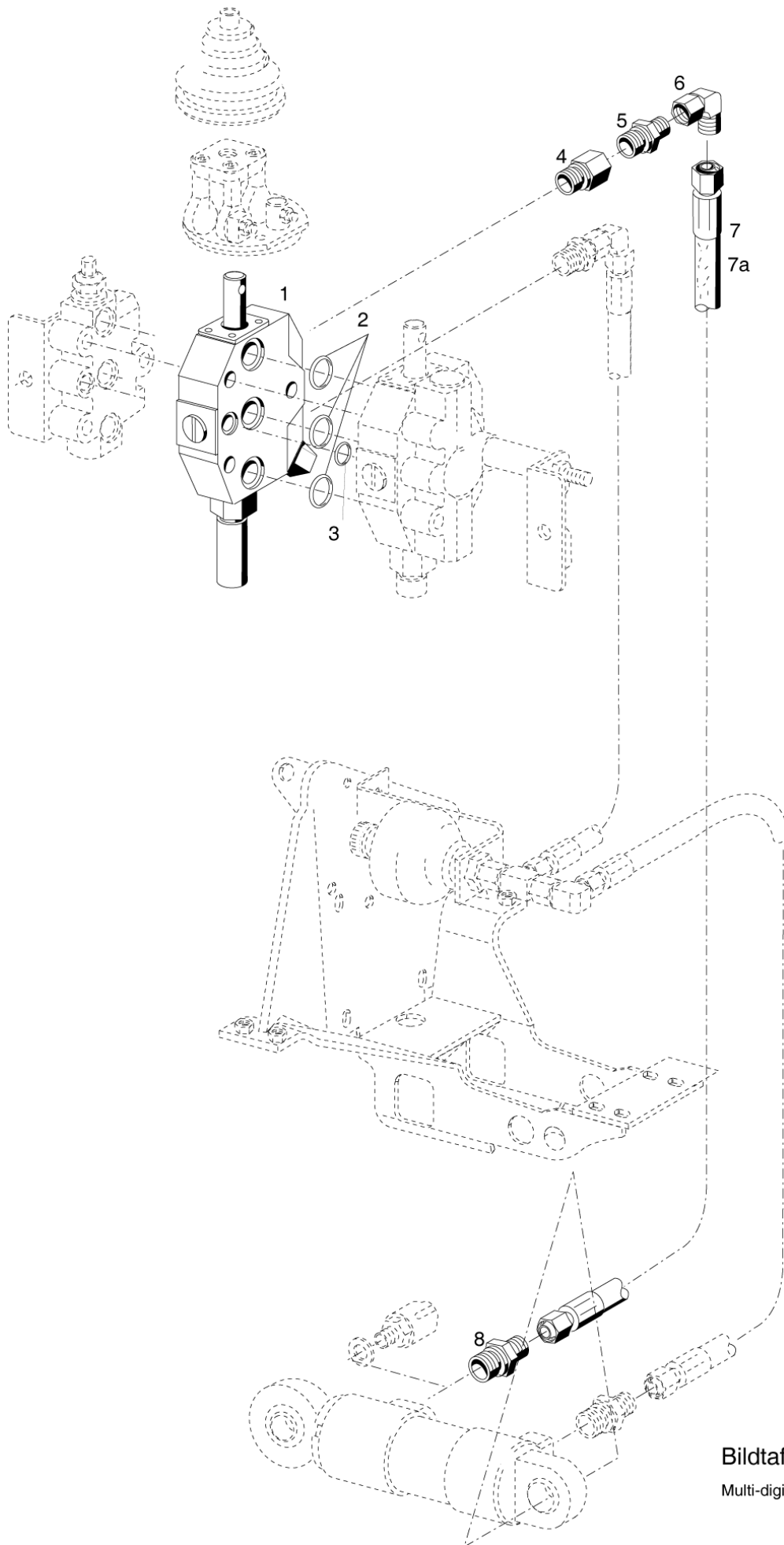


Bildtafel - table - No. 92a

Multi-digital-092a.ai

23.03.01

Item no.	Article no.	Description	Quantity
0	141498	INDEPENDENT WHEEL LOAD	1
0a	140893	independent wheel stabilizer	1
1	015749	PROFILE RING	2
2	015723	UNION NUT	2
3	133812	HYDR. PIPE	1
4	022647	NONRETURN VALVE	1
5	019299	HIGH PRESSURE HOSE	1
6	136678	DIAPHRAGM ACCUMULATOR (30 BAR)	1
7	023506	BULKHEAD UNION	1
8	132765	HOLDER	1
9	011755	6-HEAD NUT	1
10	028621	ADJUSTABEL L-FITTING	1
11	010044	SHIM	1
12	010063	SPRING WASHER	1
13	011511	6-HEAD SCREW	1
14	025164	HOSE LINE	1
15	019299	HIGH PRESSURE HOSE	1
16	028616	ADJUSTABEL ANGEL BRACKET	1
17	019302	HIGH PRESSURE HOSE	1
18	022647	NONRETURN VALVE	1
19	015749	PROFILE RING	2
20	015723	UNION NUT	2
21	133812	HYDR. PIPE	1



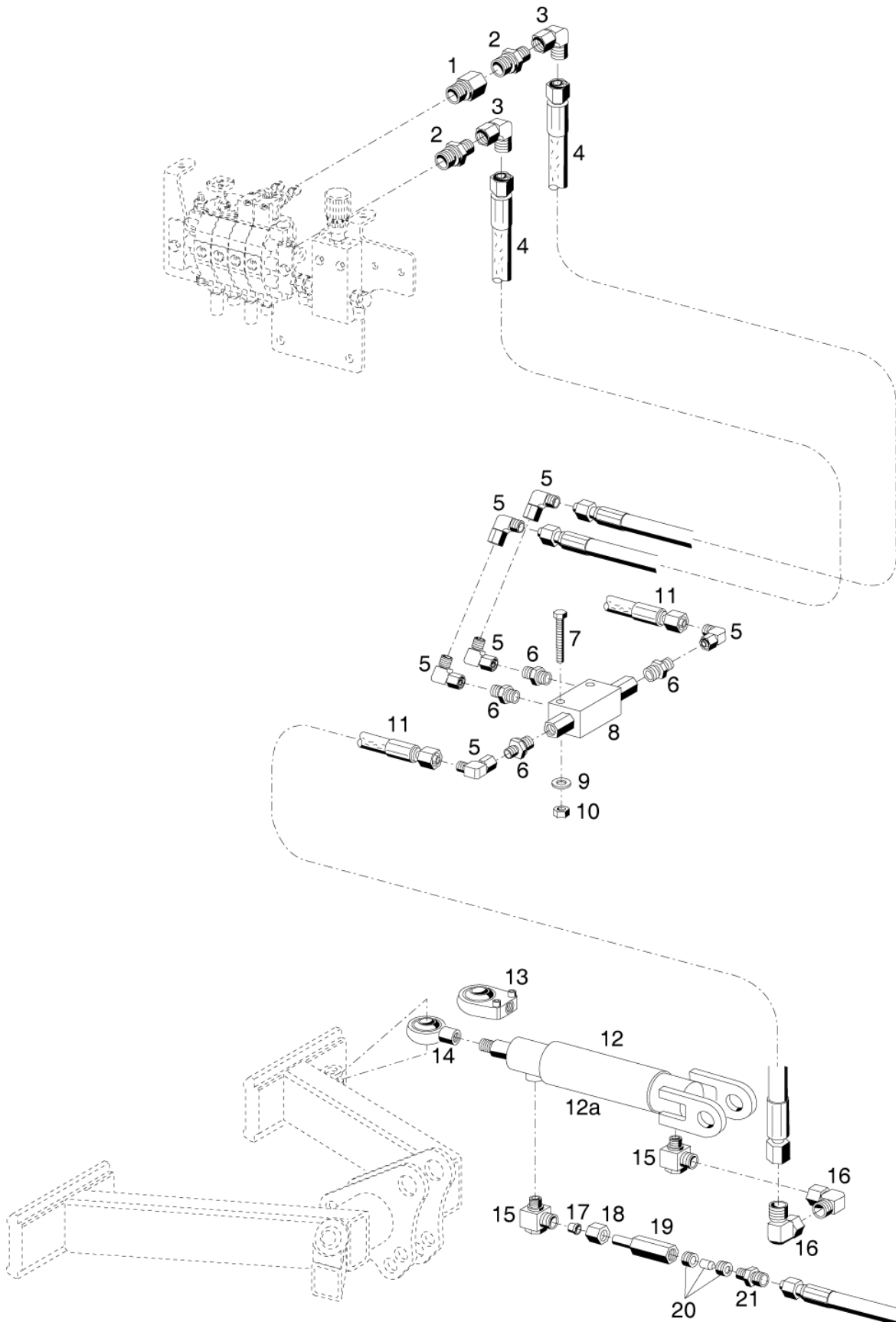
Bildtafel - table - No. 93

Multi-digital-093.ai

24.04.01

KIT HYRAULIC CYLINDER FOR FRONT LIFT (800770) **HOLDER**

Item no.	Article no.	Description	Quantity
0	137297	KIT DOUBLE ACTING FONT LIFTING	1
0a	137459	double acting lifting cyl.	1
0b	136344	complement kit liftingcylinder	1
0c	137460	front lifting attachment	1
1	029688	VALVE PLATE	1
1a	790320	GASKET KIT	1
2	796387	796387	3
3	796388	796388	1
4	028680	DOUBLE SOCKET	1
5	028606	STRAIGHT SCREW-IN FITTING	3
6	028616	ADJUSTABEL ANGEL BRACKET	3
7	025369	HIGH PRESSURE HOSE	1
7a	019302	HIGH PRESSURE HOSE	1
8	028607	STRAIGHT SCREW-IN FITTING	1



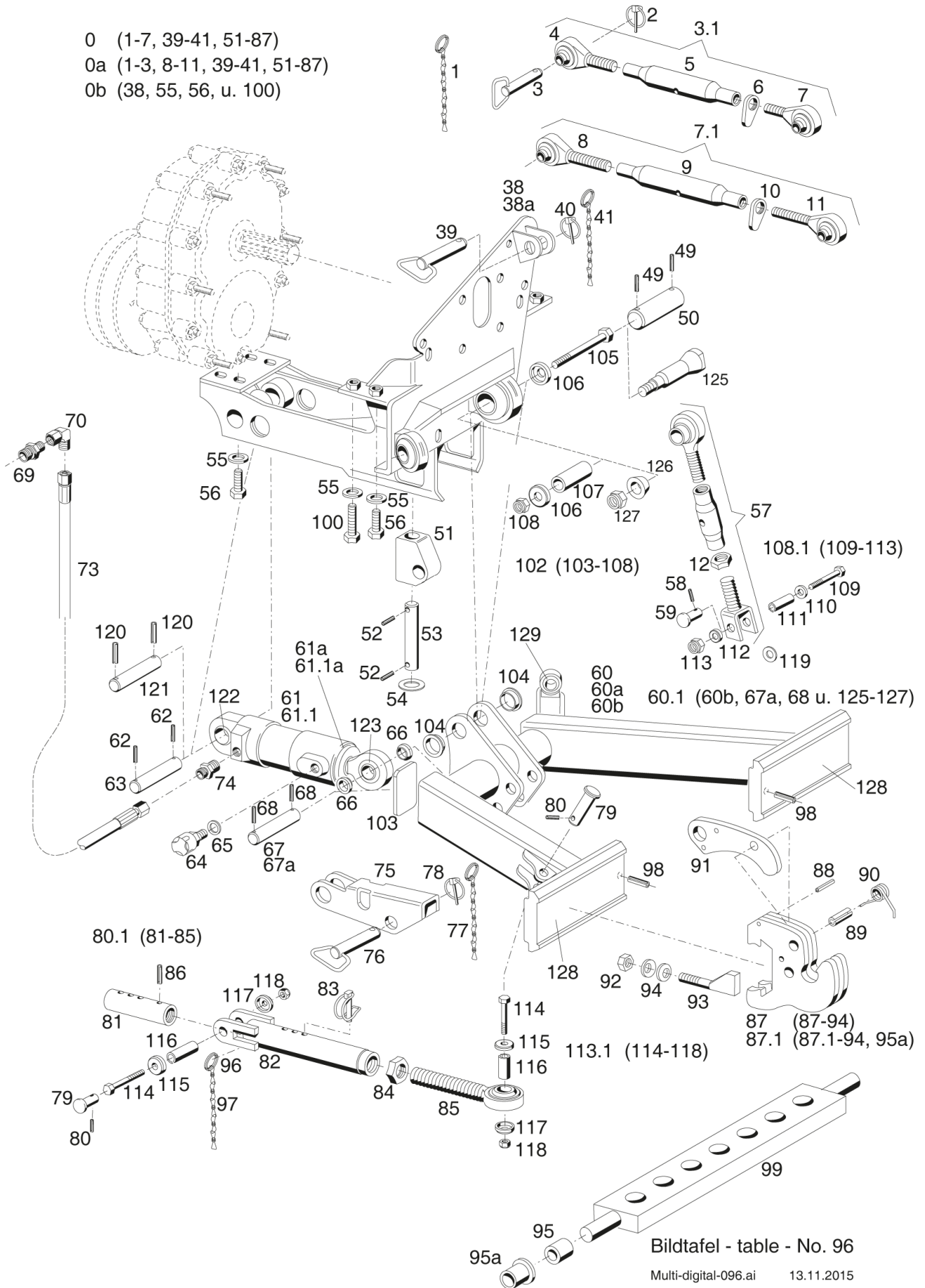
Bildtafel - table - No. 94

Multi-digital-094.ai 22.12.04

Item no.	Article no.	Description	Quantity
0	139361	HYDR. SIDE ADJUSTMENT	1
1	028680	DOUBLE SOCKET	1
2	028606	STRAIGHT SCREW-IN FITTING	2
3	028616	ADJUSTABEL ANGEL BRACKET	2
4	025369	HIGH PRESSURE HOSE	2
5	028616	ADJUSTABEL ANGEL BRACKET	6
6	028613	STRAIGHT SCREW-IN FITTING	4
7	027248	6-HEAD SCREW	2
8	136720	NONRETURN VALVE	1
9	011742	SPRING WASHER	2
10	011577	6-HEAD NUT	2
11	019302	HIGH PRESSURE HOSE	2
12	140184	HYDRAULIC CYLINDER	1
12.1	145269	+SEAL KIT COMPL.	1
12a	147695	HYDRAULIC CYLINDER DOUBEL ACTING	1
12a.1	147828	GASKET KIT	1
13	144477	JOINT HEAD IM16X1.5	0
14	144476	JOINT HEAD	1
15	028631	ANGLE SWING SOCKET	2
16	028616	ADJUSTABEL ANGEL BRACKET	2
17	015749	PROFILE RING	1
18	015723	UNION NUT	1
19	028350	SHUTLE HOUSING	1
20	028346	SHUTLE NOZZLE	1
21	028608	STRAIGHT SCREW-IN FITTING	1

REAR LIFT, BEARING BOCK, ARRESTOR HOOK (800772) **HOLDER**

- 0 (1-7, 39-41, 51-87)
- 0a (1-3, 8-11, 39-41, 51-87)
- 0b (38, 55, 56, u. 100)

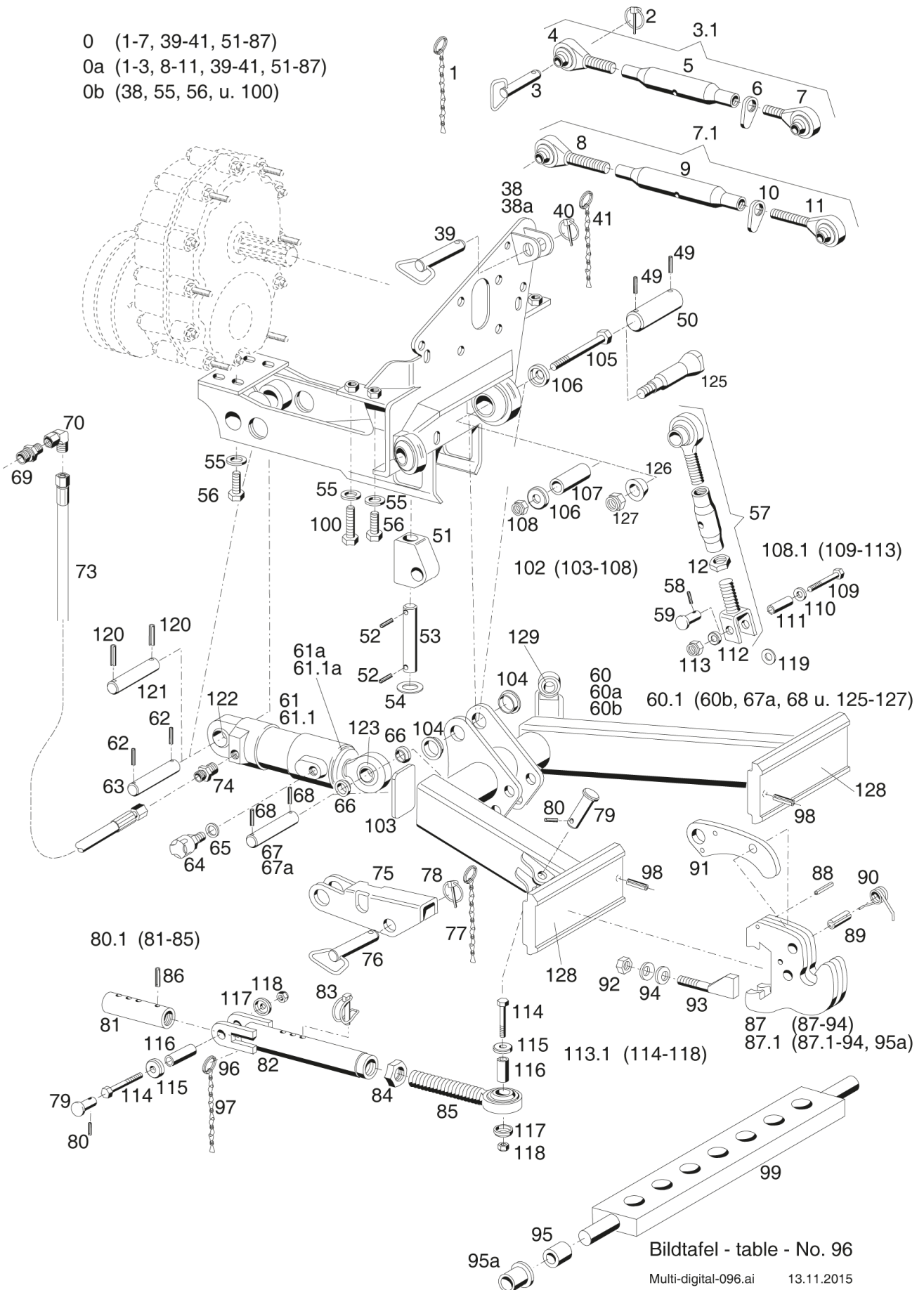


Bildtafel - table - No. 96

Multi-digital-096.ai 13.11.2015

Item no.	Article no.	Description	Quantity
0	135640	rear 3pt. linkage	1
0a	134904	REAR 3PT. LINKAGE	1
0b	138119	PILLOW BLOCK	1
1	016613	KNOTTED CHAIN	1
2	010468	LOCKING PIN	1
3	119331	PLUG	1
3.1	119333	TOP LINK CATEGORIE 1	1
4	120922	ARTICUALTED LUG LEFT	1
5	120920	CLAMPING SLEEVE	1
6	114415	HANDLE NUT	1
7	120921	ARTICUALTED LUG RIGHT	1
7.1	113913	TOP LINK CATEGORIE 1	1
8	113915	ARTICUALTED LUG	1
9	113916	CLAMPING SLEEVE KNOB	1
10	114415	HANDLE NUT	1
11	113914	JOINT SPINGLE	1
12	022662	6-HEAD NUT	1
38	134930	SUPPORT	1
38a	138875	BEARING BOCK	1
39	119331	PLUG	1
40	010468	LOCKING PIN	1
41	016613	KNOTTED CHAIN	1
49	013706	SPRING PIN	2
50	028539	+BOLT	1
51	134992	CARDAN JOINT	1
52	010598	SPRING PIN	2
53	028537	BOLT	1
54	028732	ADJUSTING DISC	1
55	029251	Screw washer	6
56	011552	6-HEAD SCREW	4
57	134998	JOINT LOCK	1
58	010598	SPRING PIN	2
59	028498	BOLT	2
60	134985	LIFT FRAME	1
60.1	139012	+KIT LOWER LINK FRAME NEW	1
60a	138900	+LOWER LINK FRAME ASSY. NL.	1
60b	143319	LIFT FRAME	1
61	134991	LIFTING CYLINDER	1
61.1	158103	TIPPING CYLINDER	1
61a	788546	GASKET KIT	1
61.1a	802207	+DICHTUNGSSATZ FÜR HUBZYLINDER 158103 C245/345	1
62	010603	SPRING PIN	2
63	027732	BOLT	1
64	018782	BREATHER FILTER	1
65	010392	GASKET RING	1
66	015629	PROOF WASHER	2
67	028536	+BOLT	1
67a	029404	BOLT	1
68	010598	SPRING PIN	2
69	028606	STRAIGHT SCREW-IN FITTING	1
70	028616	ADJUSTABEL ANGEL BRACKET	1

- 0 (1-7, 39-41, 51-87)
- 0a (1-3, 8-11, 39-41, 51-87)
- 0b (38, 55, 56, u. 100)

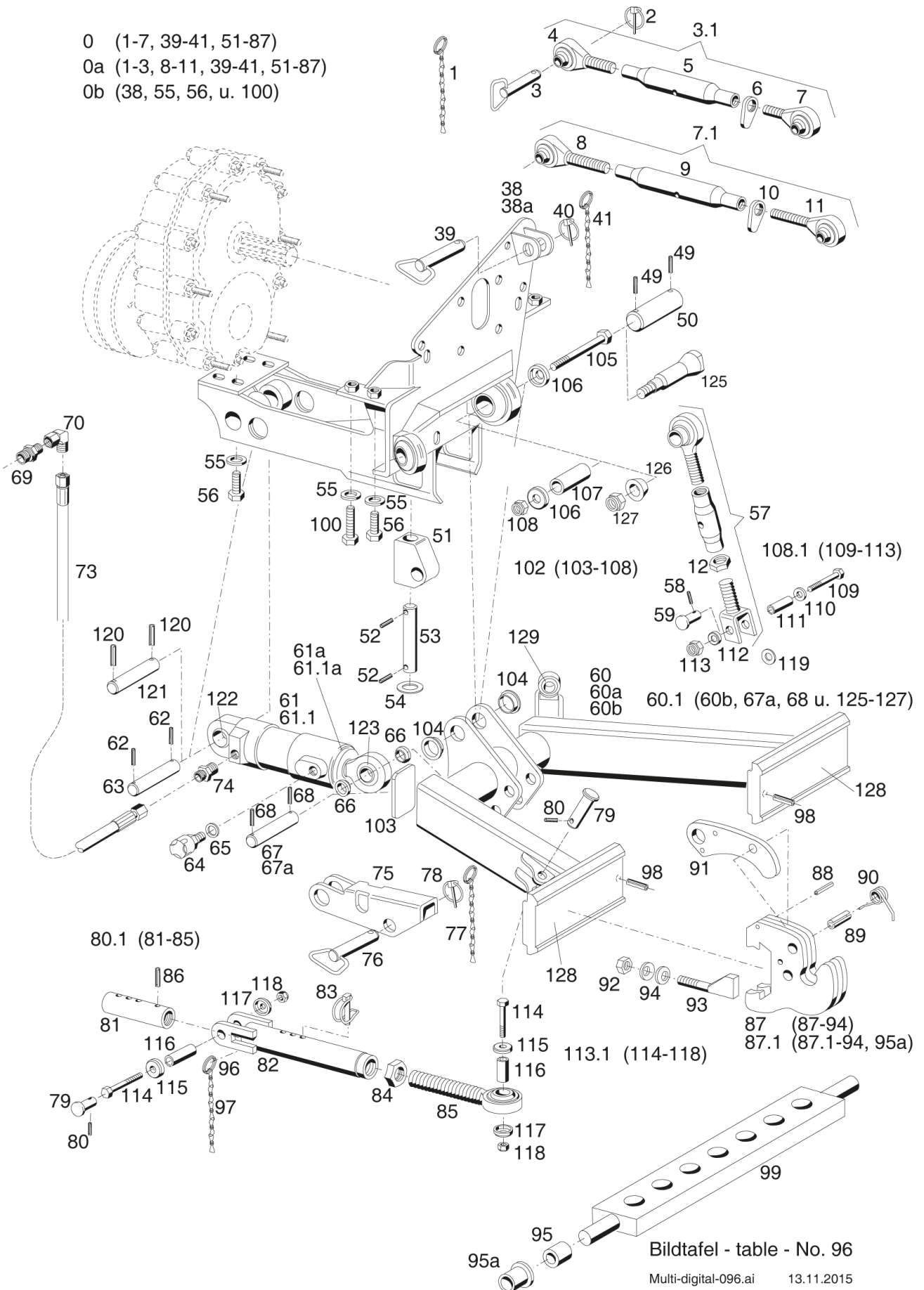


Bildtafel - table - No. 96

Multi-digital-096.ai 13.11.2015

Item no.	Article no.	Description	Quantity
73	022645	HIGH PRESSURE HOSE	1
74	028607	STRAIGHT SCREW-IN FITTING	1
75	135966	BRACE	1
76	136070	PLUG ASS.	1
77	023756	KNOTTED CHAIN	1
78	010468	LOCKING PIN	1
79	028498	BOLT	2
80	010598	SPRING PIN	2
80.1	134980	PENDULUM LOCK REAR	1
81	134983	PISTON	1
82	134981	PENDULUM LOCK	1
83	013521	DOWEL PIN	1
84	022662	6-HEAD NUT	1
85	028535	JOINT SPINGLE	1
86	010607	SPRING PIN	1
87	135686	ARRESTOR HOOK CATEGORY 1	2
87.1	135818	1 pair catch hooks, reinforced, CAT 2	2
88	010602	SPRING PIN	4
89	027591	SPRING PIN	2
90	027602	LEG SPRING	2
91	131217	PLUNGER	2
92	011687	6-HEAD NUT	2
93	140185	TENSIONING WEDGE	2
94	028380	TENSION DISC	4
95	027017	ADAPTER SLEEVE	4
95a	138017	COLLAR SLEEVE	4
96	014305	KEY RING	1
97	016613	KNOTTED CHAIN	1
98	010606	SPRING PIN	2
99	111759	Draw bar, CAT I	1
100	011557	6-HEAD SCREW	2
102	139007	REVERSION KIT	1
103	139074	CAP	2
104	029384	WELDED SOCKET	2
105	029390	6-HEAD SCREW	1
106	029383	SHIM	2
107	138897	BEARING BOLT	1
108	028746	6-HEAD NUT	1
108.1	139011	+ CONVERSION KIT FOR BOLT 028498	1
109	011881	6-HEAD SCREW	1
110	015653	SHIM	1
111	029377	SPRING PIN	1
112	029391	SHIM	1
113	011687	6-HEAD NUT	1
113.1	139011	+ CONVERSION KIT FOR BOLT 028498	1
114	011881	6-HEAD SCREW	1
115	015653	SHIM	1
116	029377	SPRING PIN	1
117	029391	SHIM	1
118	011687	6-HEAD NUT	1
119	028733	ADJUSTING DISC	1

- 0 (1-7, 39-41, 51-87)
- 0a (1-3, 8-11, 39-41, 51-87)
- 0b (38, 55, 56, u. 100)



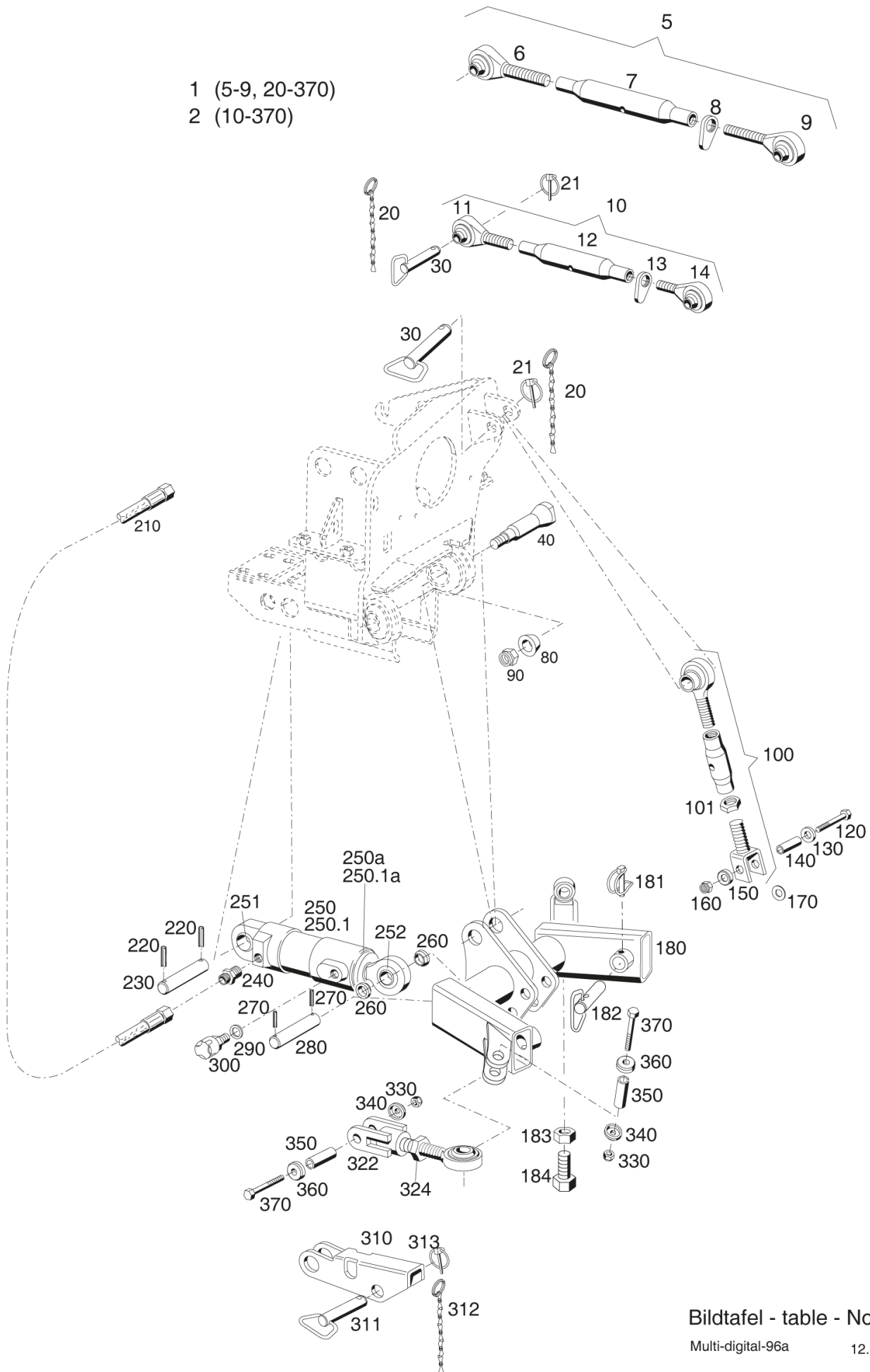
Bildtafel - table - No. 96

Multi-digital-096.ai 13.11.2015

Item no.	Article no.	Description	Quantity
120	010610	SPRING PIN	2
121	029908	BOLT	1
122	782027	HINGE BEARING	1
123	030314	HINGE BEARING	1
125	143320	CONE BOLT	1
126	143321	CONE RING	1
127	027921	6-HEAD NUT	1
128	130314	RAIL	2
129	027502	HINGE BEARING	1

Item no.	Article no.	Description	Quantity
0	147169	REAR LIFT ATTACHMENT	1
0a	147164	REAR LIFT ATTACHMENT	1
5	113913	TOP LINK CATEGORIE 1	1
6	113915	ARTICUALTED LUG	1
7	113916	CLAMPING SLEEVE KNOB	1
8	114415	HANDLE NUT	1
9	113914	JOINT SPINGLE	1
10	119333	TOP LINK CATEGORIE 1	1
11	120922	ARTICUALTED LUG LEFT	1
12	120920	CLAMPING SLEEVE	1
13	114415	HANDLE NUT	1
14	120921	ARTICUALTED LUG RIGHT	1
20	016613	KNOTTED CHAIN	2
21	010468	LOCKING PIN	2
30	119331	PLUG	2
40	143320	CONE BOLT	1
80	143321	CONE RING	1
90	027921	6-HEAD NUT	1
100	134998	JOINT LOCK	1
101	022662	6-HEAD NUT	1
120	011881	6-HEAD SCREW	1
130	015653	SHIM	1
140	029377	SPRING PIN	1
150	029391	SHIM	1
160	011687	6-HEAD NUT	1
170	028733	ADJUSTING DISC	1
180	147267	LIFT FRAME	1
181	030760	PIPE LINCH PIN	2
182	147265	PLUG ASS.	2
183	011597	6-HEAD NUT	2
184	011561	6-HEAD SCREW	2
210	022645	HIGH PRESSURE HOSE	1
220	010610	SPRING PIN	2
230	029908	BOLT	1
240	028607	STRAIGHT SCREW-IN FITTING	1
250	134991	LIFTING CYLINDER	1
250.1	158103	TIPPING CYLINDER	1
250a	788546	GASKET KIT	1
250.1a	802207	+DICHTUNGSSATZ FÜR HUBZYLINDER 158103 C245/345	1
251	782027	HINGE BEARING	1
252	030314	HINGE BEARING	1
260	015629	PROOF WASHER	2
270	010598	SPRING PIN	2
280	029404	BOLT	1
290	010392	GASKET RING	1
300	018782	BREATHER FILTER	1
310	135966	BRACE	1
311	136070	PLUG ASS.	1
312	023756	KNOTTED CHAIN	1
313	010468	LOCKING PIN	1
322	147266	JOINT LOCK	1

- 1 (5-9, 20-370)
- 2 (10-370)

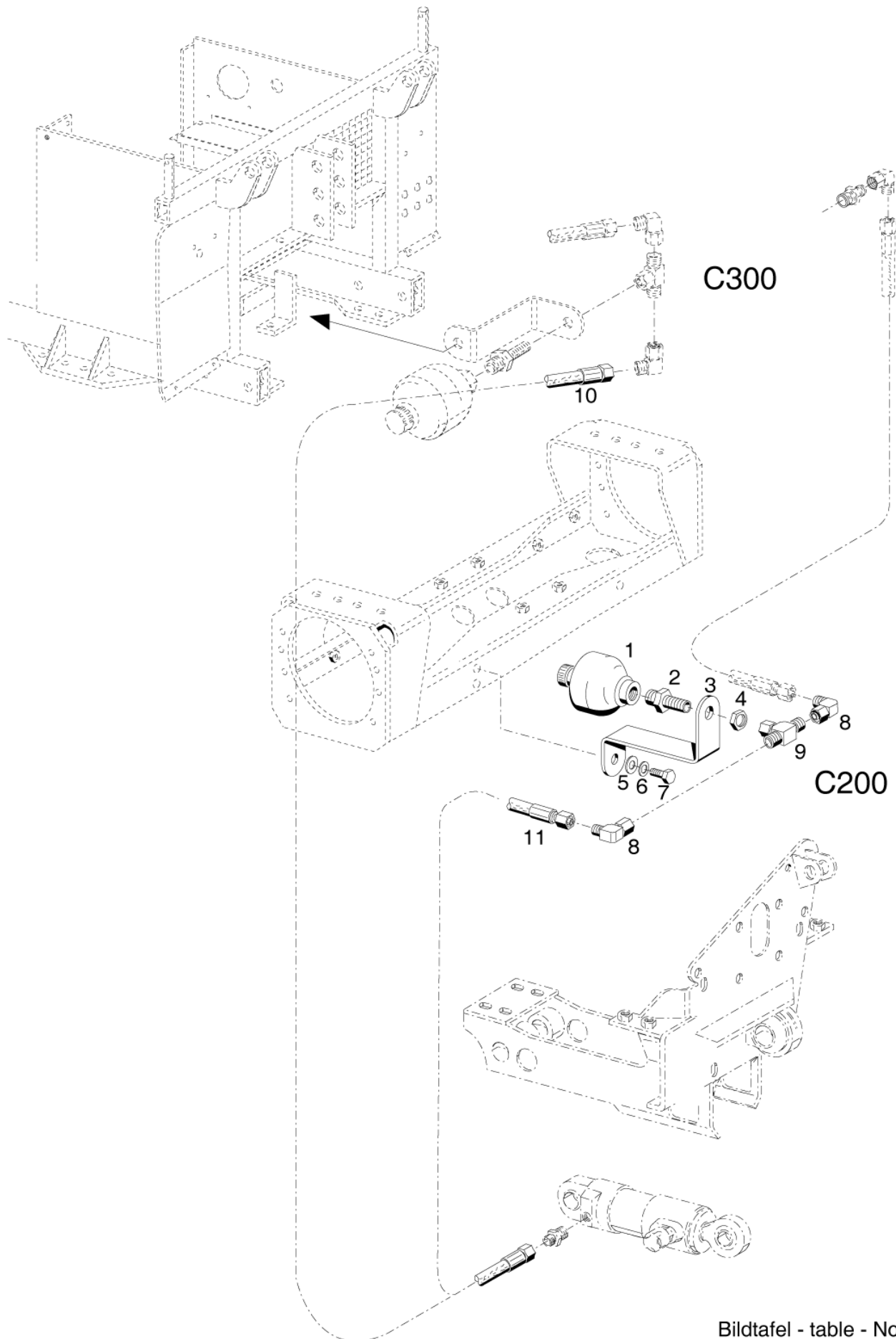


Bildtafel - table - No. 96a

Multi-digital-96a

12.11.2015

Item no.	Article no.	Description	Quantity
324	022662	6-HEAD NUT	1
330	011687	6-HEAD NUT	2
340	029391	SHIM	2
350	029377	SPRING PIN	2
360	015653	SHIM	2
370	011881	6-HEAD SCREW	2

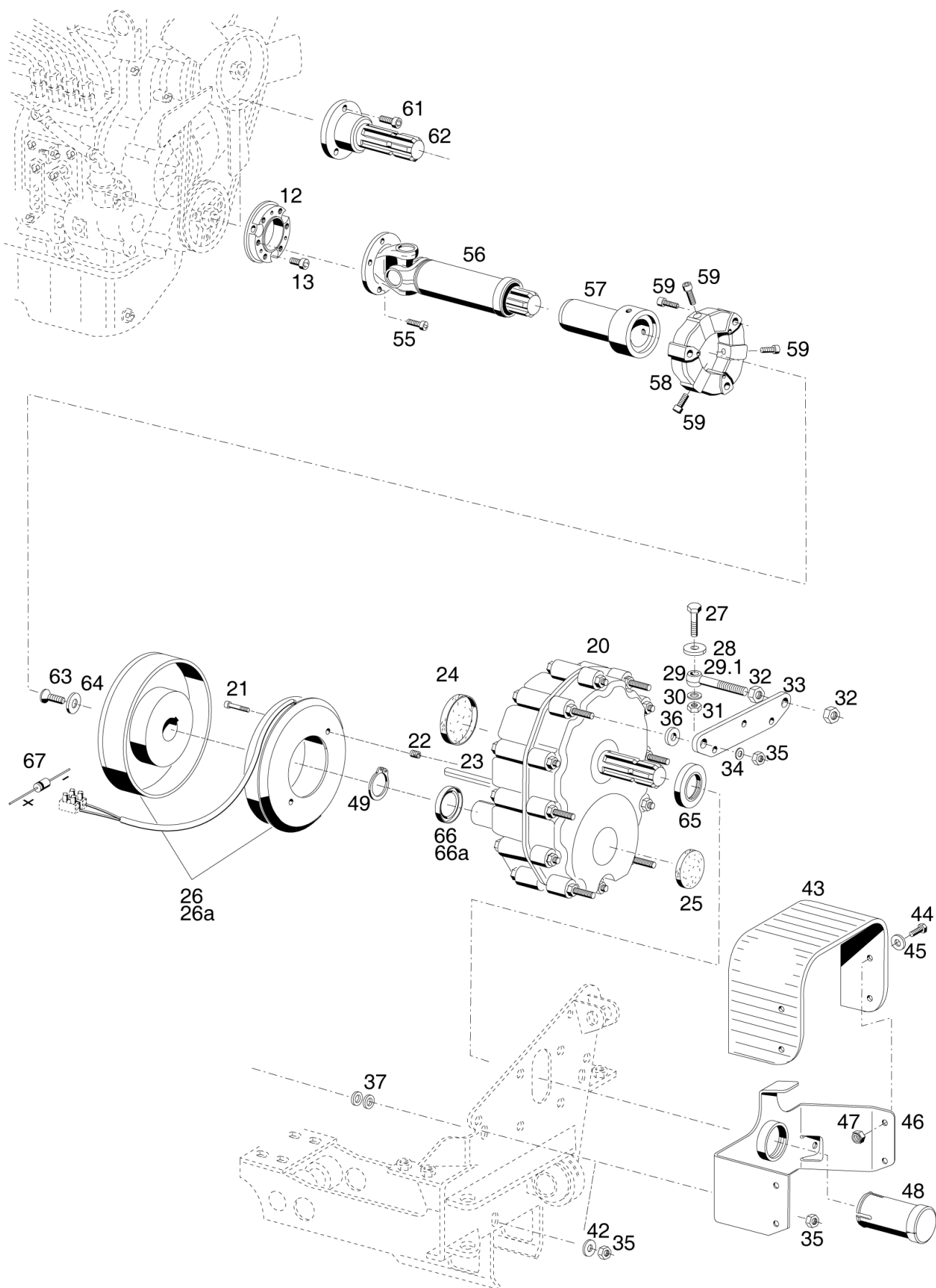


Bildtafel - table - No. 97

Multi-digital-097.ai

16.04.01

Item no.	Article no.	Description	Quantity
0	142239	KIT AIR ACCUMULATOR	1
0a	137387	kit air accumulator C300	1
1	136678	DIAPHRAGM ACCUMULATOR (30 BAR)	1
2	023506	BULKHEAD UNION	1
3	132765	HOLDER	1
4	011755	6-HEAD NUT	1
5	010044	SHIM	1
6	010063	SPRING WASHER	1
7	011511	6-HEAD SCREW	1
8	028616	ADJUSTABEL ANGEL BRACKET	2
9	028623	ADJUSTABEL T-FITTING	1
10	019287	HIGH PRESSURE HOSE	1
11	028859	HOSE LINE	1

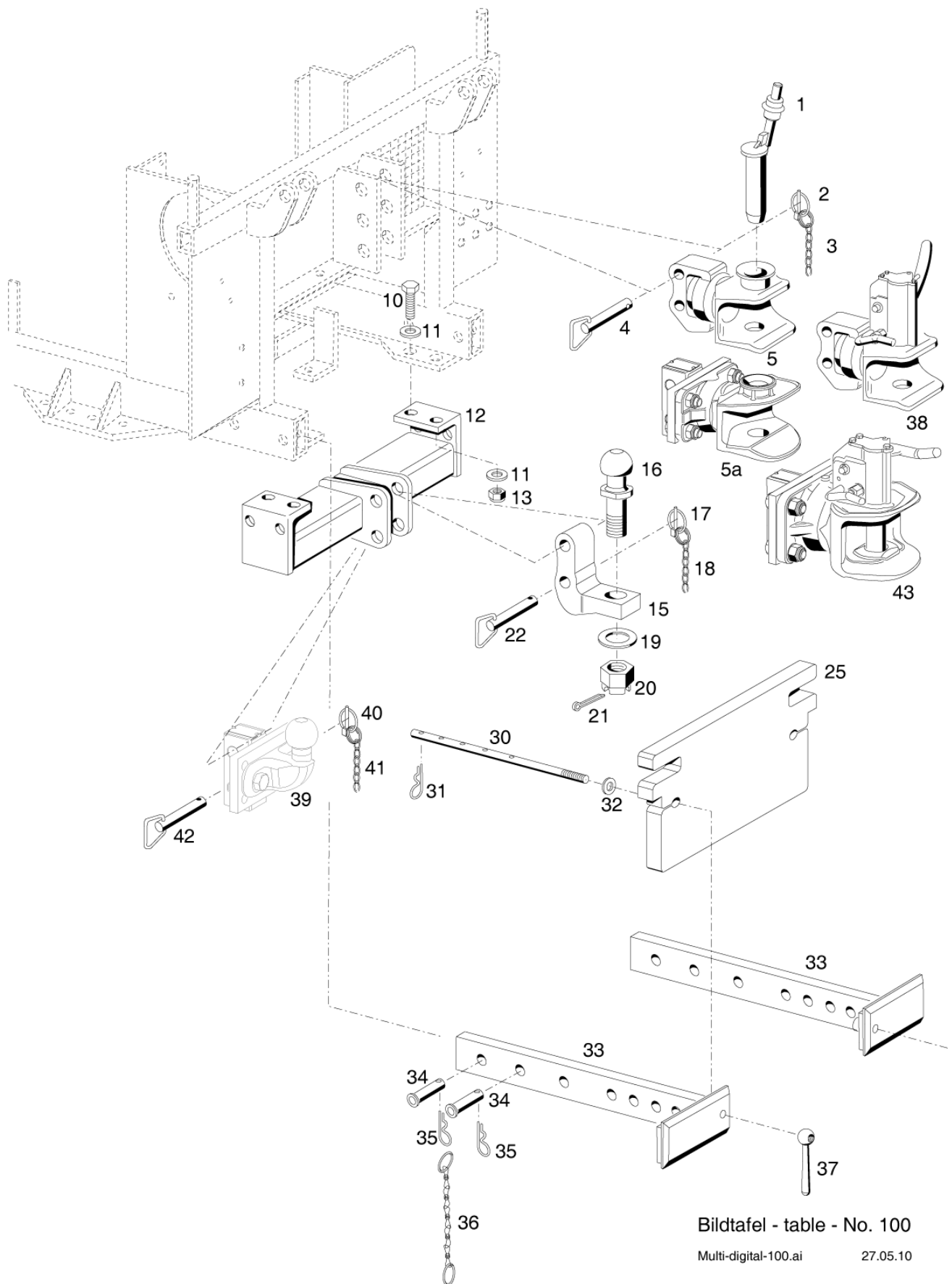


Bildtafel - table - No. 98

Multi-digital-098.ai 12.05.2017

Item no.	Article no.	Description	Quantity
0	134908	PTO SHAFT REAR 540 rpm	1
12	135800	INTERMEDIATE PLATE	1
13	028854	INNER-6-HEAD SCREW	3
20	134712	PTO GEAR	1
21	023095	INNER-6-HEAD SCREW	2
22	028894	NUT INSERT	2
23	013873	FEATHER KEY	1
24	797821	END CAP	1
25	797822	END CAP	1
26	135505	ELECTROMAGNETIC CLUTCH	1
26a	135505	ELECTROMAGNETIC CLUTCH	1
27	011114	6-HEAD SCREW	2
28	025102	SHIM	2
29	028670	EYE SCREW	2
29.1	028669	EYE SCREW	2
30	010065	SPRING WASHER	2
31	011590	6-HEAD NUT	2
32	010096	6-HEAD NUT	4
33	135214	HOLDER	1
34	010064	SPRING WASHER	2
35	011585	6-HEAD NUT	6
36	014912	SHIM	8
37	014883	SHIM	11
42	014912	SHIM	2
43	135082	PTO SHAFT PROTECTION RUBBER	1
44	011511	6-HEAD SCREW	5
45	012537	SHIM	5
46	135080	PTO SHAFT PROTECTION	1
47	011935	6-HEAD NUT	5
48	125269	PROTECTIVE SLEEVE	1
49	010144	LOCKING RING FOR WAVES	1
55	028985	INNER-6-HEAD SCREW	12
55.1	139801	UNIVERSAL SHAFT	1
56	136544	UNIVERSAL JOINT SHAFT ASSY.	1
57	136543	CLUTCH	1
58	136898	CLUTCH	1
59	030696	INNER-6-HEAD SCREW	6
60	136343	136343	1
61	028854	INNER-6-HEAD SCREW	1
62	136367	FLANGED SHAT	1
63	022622	COUNTERSUNK SOCKET SCREW	1
64	029413	SHIM	1
65	010567	SHAFT SEAL	1
66	011989	SHAFT SEAL	1
66a	011990	SHAFT SEAL	1
67	027136	DIODE BY 254	1

Item no.	Article no.	Description	Quantity
930	800777	TRAILER COUPLING, BALL HITCH	1
940	800778	REAR PROTECTION, TRAILER HITCH	1
950	800779	TRAILER HITCH ITALIAN VERSION	1
960	800780	WHEEL, WHEEL WEIGHTS	1
970	800781	CABLE SET, GASKET KIT	1

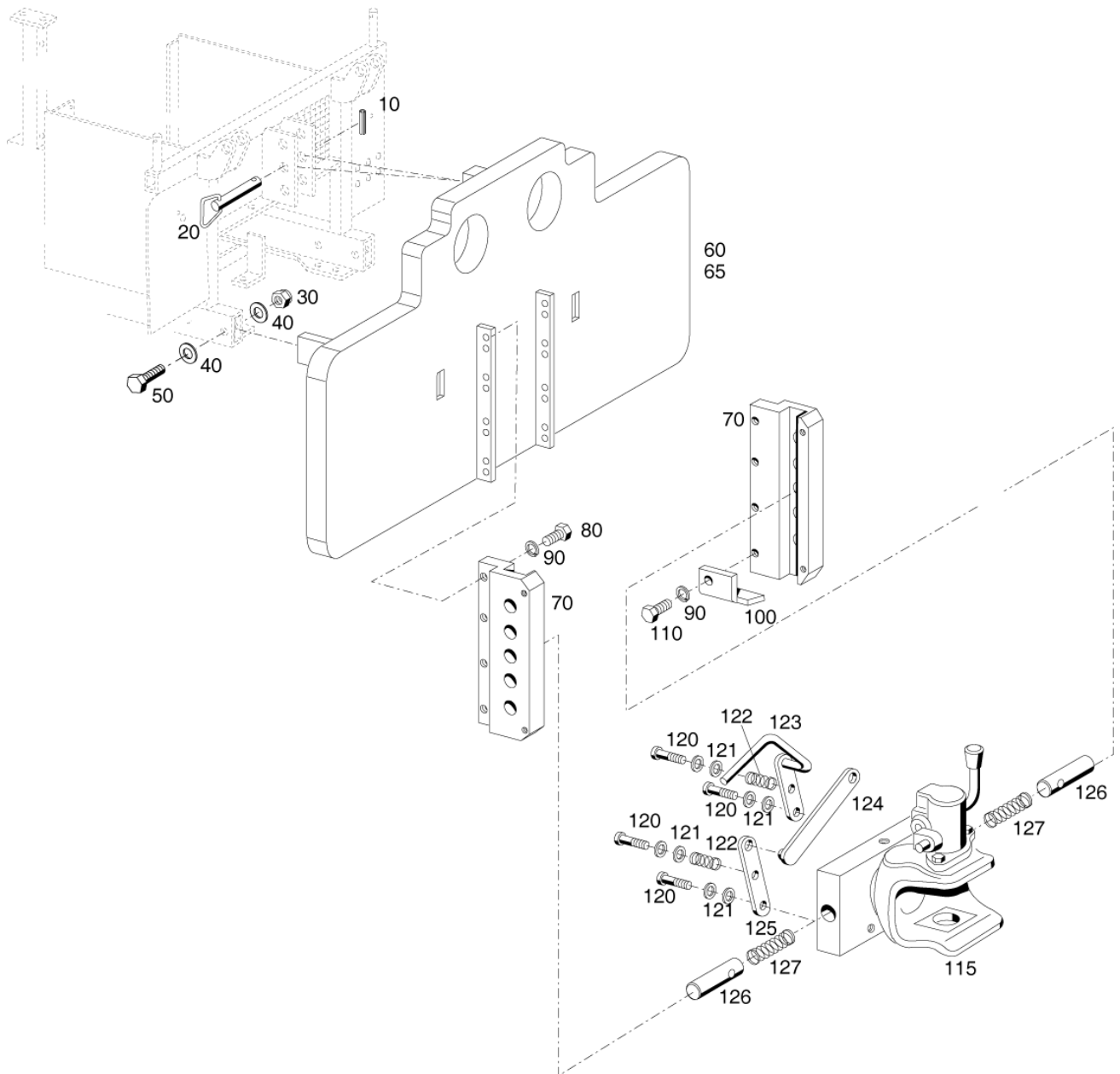


Bildtafel - table - No. 100

Multi-digital-100.ai

27.05.10

Item no.	Article no.	Description	Quantity
0	134906	TRAILER HITCH NOT AUTOMATIC	1
1	135004	CLUTCH BOLT	1
2	010468	LOCKING PIN	2
3	016613	KNOTTED CHAIN	2
4	119331	PLUG	2
5	135003	TRAILER HITCH WITHOUT PLUG	1
5a	150131	TRAILER HITCH WITHOUT PLUG	1
6	134534	134534	1
10	011558	6-HEAD SCREW	2
11	032092	SHIM	4
12	135321	TRAVERSE	1
13	024184	6-HEAD NUT	2
15	135533	135533	1
16	799503	CLUTCH BALL	1
17	010468	LOCKING PIN	2
18	016613	KNOTTED CHAIN	2
19	028011	SHIM	1
20	799234	799234	1
21	796081	SPLIT PIN	1
22	119331	PLUG	2
25	135277	Ballast plate 25 kg for rear ballast	1
26	135756	EQUIPMENT INSERT IN	1
30	135334	PULL ROD	2
31	028819	SPRING PLUG	2
32	010047	SHIM	2
33	135327	SPIGOTS	2
34	011281	BOLT	4
35	010471	SPRING PLUG	2
36	016613	KNOTTED CHAIN	2
37	022203	TAPER HANDLE	2
38	142879	trailer hitch	1
39	147365	BALL HITCH	1
40	010468	LOCKING PIN	2
41	016613	KNOTTED CHAIN	2
42	119331	PLUG	2
43	147364	TOWING COUPLER AUTOMATIC	1



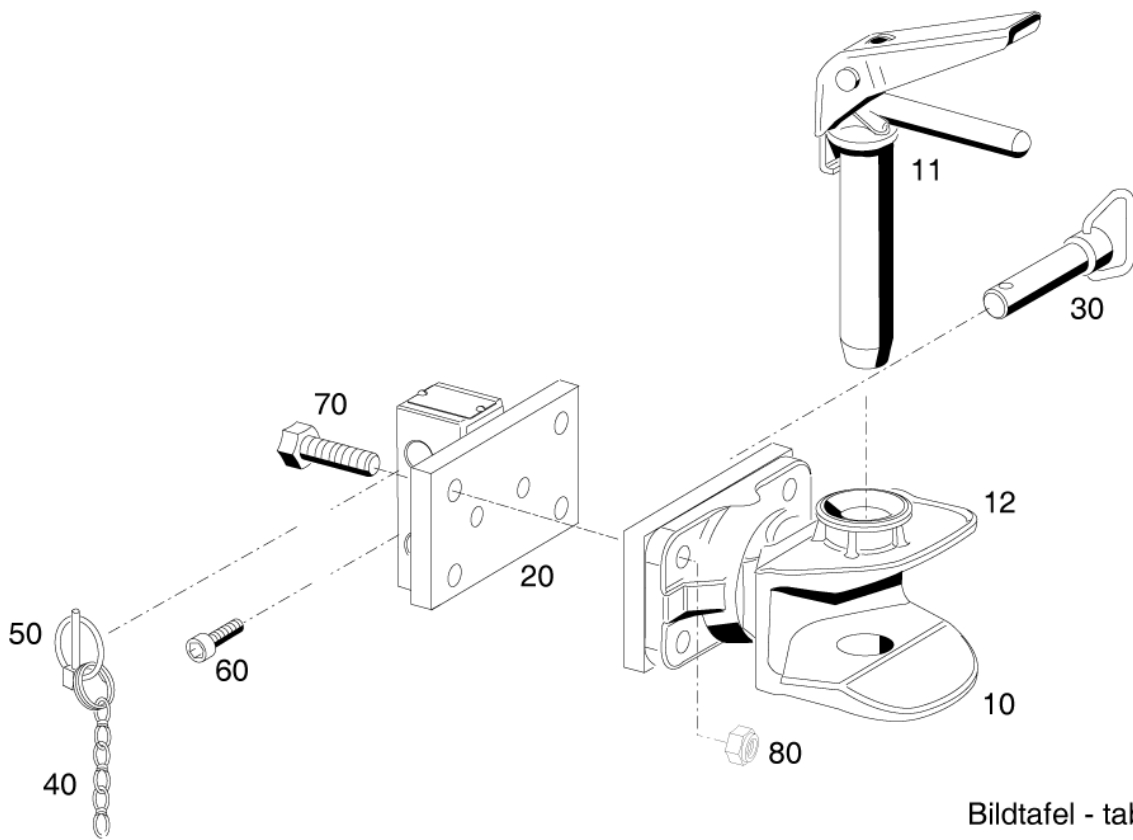
Bildtafel - table - No. 102

Multi-digital-102.ai

05.09.05

Item no.	Article no.	Description	Quantity
0	148921	rear guard F202	1
0a	148626	rear guard C3.42	1
10	010610	SPRING PIN	2
20	119331	PLUG	2
30	028746	6-HEAD NUT	4
40	010048	SHIM	8
50	011566	6-HEAD SCREW	4
60	148911	TAIL PROTECTION ASS. NS. TYPE202 RAL 7021	1
65	148619	TAIL PROTECTION ASS. NS. TYPE203 RAL 7021	1
70	129923	REST RAIL	2
80	011552	6-HEAD SCREW	7
90	010058	SPRING RING	8
100	131414	LIMIT STOP	1
110	011553	6-HEAD SCREW	1
115	129922	Towing hook automatic	1
120	799235	INNER-6-HEAD SCREW	4
121	010044	SHIM	8
122	798416	LINKAGE SPRING	2
123	798417	SWING LEVER	1
124	798418	PULL ROD	1
125	798419	SWING LEVER	1
126	798420	DETENT PIN	2
127	798421	CATCH SPRING	2

**C 245
C 345
F 560
L 560**



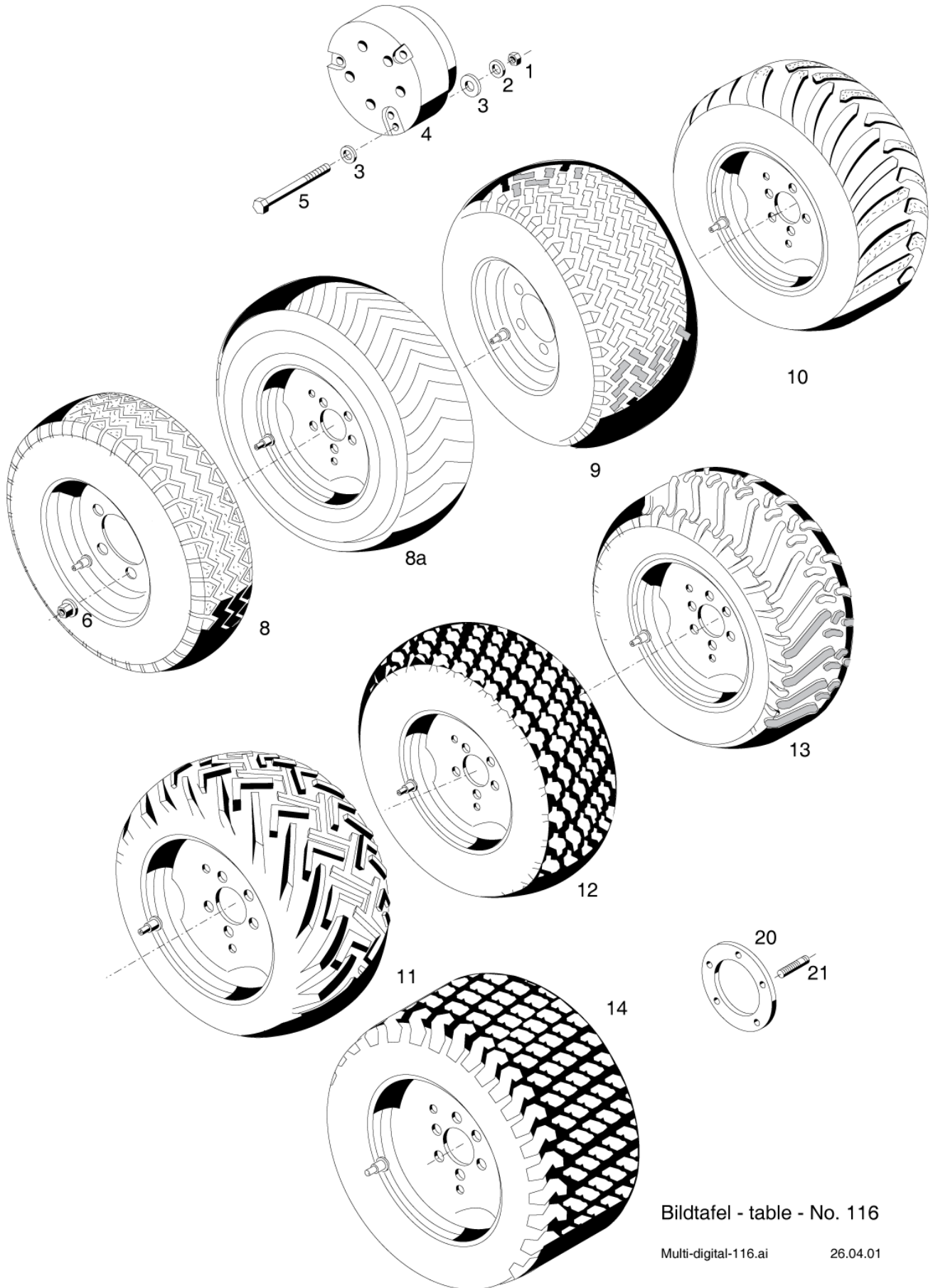
Bildtafel - table - No. 104

Multi-digital-104.ai

22.06.10

154072

Item no.	Article no.	Description	Quantity
0	154072	TRAILER HITCH ITALIAN VERSION	1
10	153960	TRAILER HITCH WITH PLUG	1
11	153961	PLUG ASS.	1
12	153962	COUPLING JAW	1
20	153981	CONSOLE	1
30	147955	PLUG CATEGORIE I	2
40	016613	KNOTTED CHAIN	2
50	010468	LOCKING PIN	2
60	011204	INNER-6-HEAD SCREW	1
70	011558	6-HEAD SCREW	4
80	031928	FUSE NUT	4

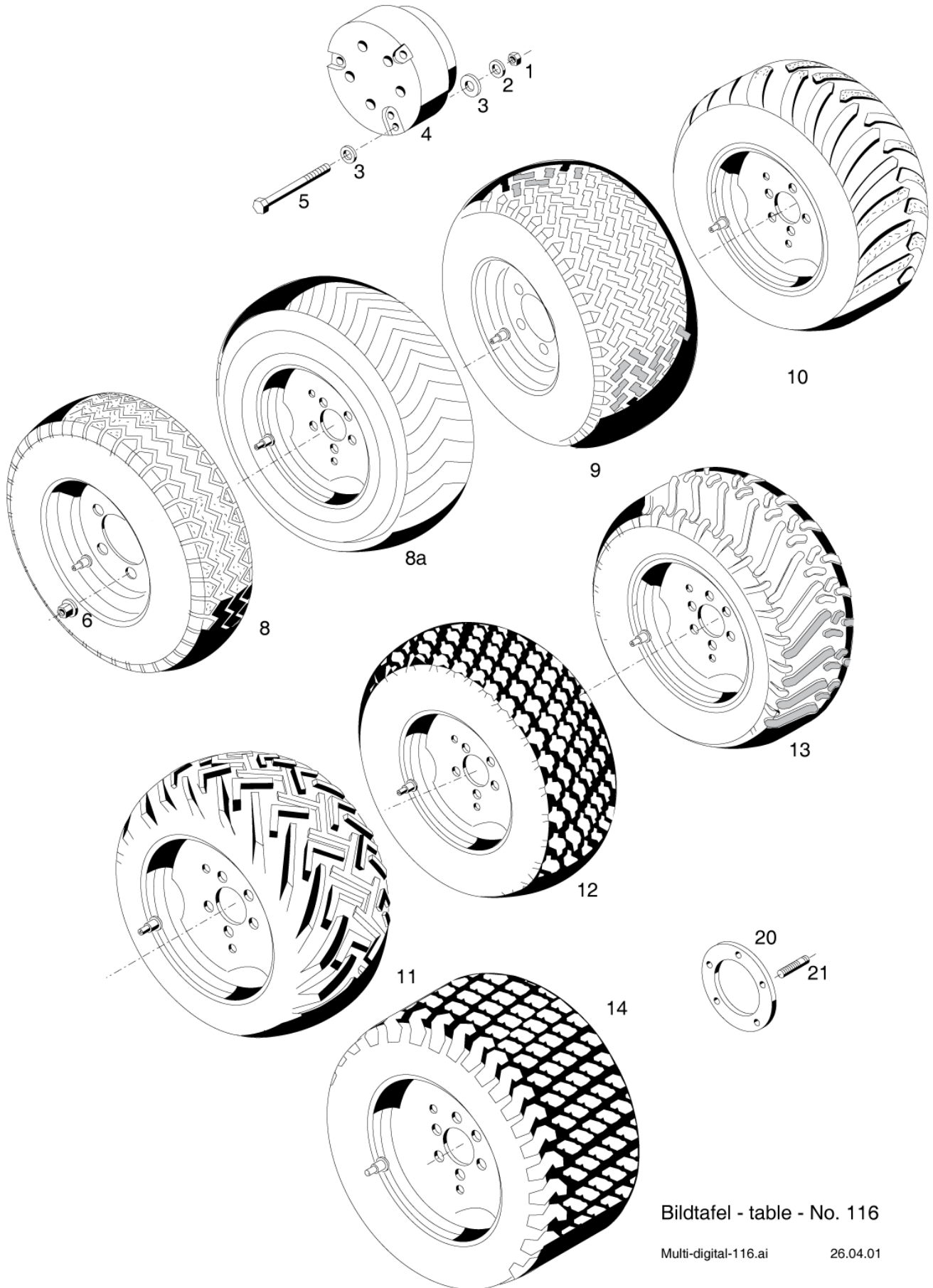


Bildtafel - table - No. 116

Multi-digital-116.ai

26.04.01

Item no.	Article no.	Description	Quantity
1	011590	6-HEAD NUT	6
2	010065	SPRING WASHER	6
3	014878	SHIM	6
4	108179	WHEEL WEIGHTS 43 KG	2
5	011120	6-HEAD SCREW	6
6	012039	DOMED ANCHOR NUT	20
8	134890	134890	4
8.1	028500	028500	4
8.2	028504	028504	4
8.3	018981	RUBBER VALVE	4
8a	136461	WHEEL	4
8a.1	029001	DISC WHEEL	4
8a.2	029002	TIRE 205/60 R15 TL 95H	4
8a.3	018981	RUBBER VALVE	4
9	134891	WHEEL 26X12.00-12	4
9.1	028501	WHEEL RIM	4
9.2	124622	TIRE 26X12.00-12/8	4
9.3	018981	RUBBER VALVE	4
9.4	145952	wheel 26x12.00-12	4
9.5	028501	WHEEL RIM	4
9.6	030617	030617	4
9.7	018981	RUBBER VALVE	4
10	134706	WHEEL 26X12,00-12 TERRA	4
10.1	028501	WHEEL RIM	4
10.2	028502	TIRE 26X12.00-12/8 T411 IMPL	4
10.3	028870	HOSE	4
11	108103	WHEEL	4
11.1	022436	WHEEL RIM	4
11.2	027163	TIRE 31x15.50-15 08 XTR TL	4
11.3	018982	RUBBER VALVE	4
11.4	148441	wheel 400/50-15	4
11.5	022436	WHEEL RIM	4
11.6	031038	031038	4
11.7	018982	RUBBER VALVE	4
12	128609	WHEEL 33x12,50R15	4
12.1	025713	DISC WHEEL	4
12.2	027185	TIRE 33X12,5R15C	4
12.3	018982	RUBBER VALVE	4
13	135663	WHEEL 31X11,50-15	4
13.1	026734	DISC WHEEL	4
13.2	025757	TYRE 31X11,50-15-4PR	4
13.3	029063	TIRE 31X11,50R15	4
13.4	018981	RUBBER VALVE	4
14	139423	wheel 27/14LL-15	4
14.1	022436	WHEEL RIM	4
14.2	029531	TIRE 27/14LL-15 6PR/TL	4
14.3	018982	RUBBER VALVE	4
14.4	139425	wheel 31x15.50-15	4
14.5	022436	WHEEL RIM	4
14.6	029532	TIRE 31X15.50-15 4PR/TL	4
14.7	018982	RUBBER VALVE	4

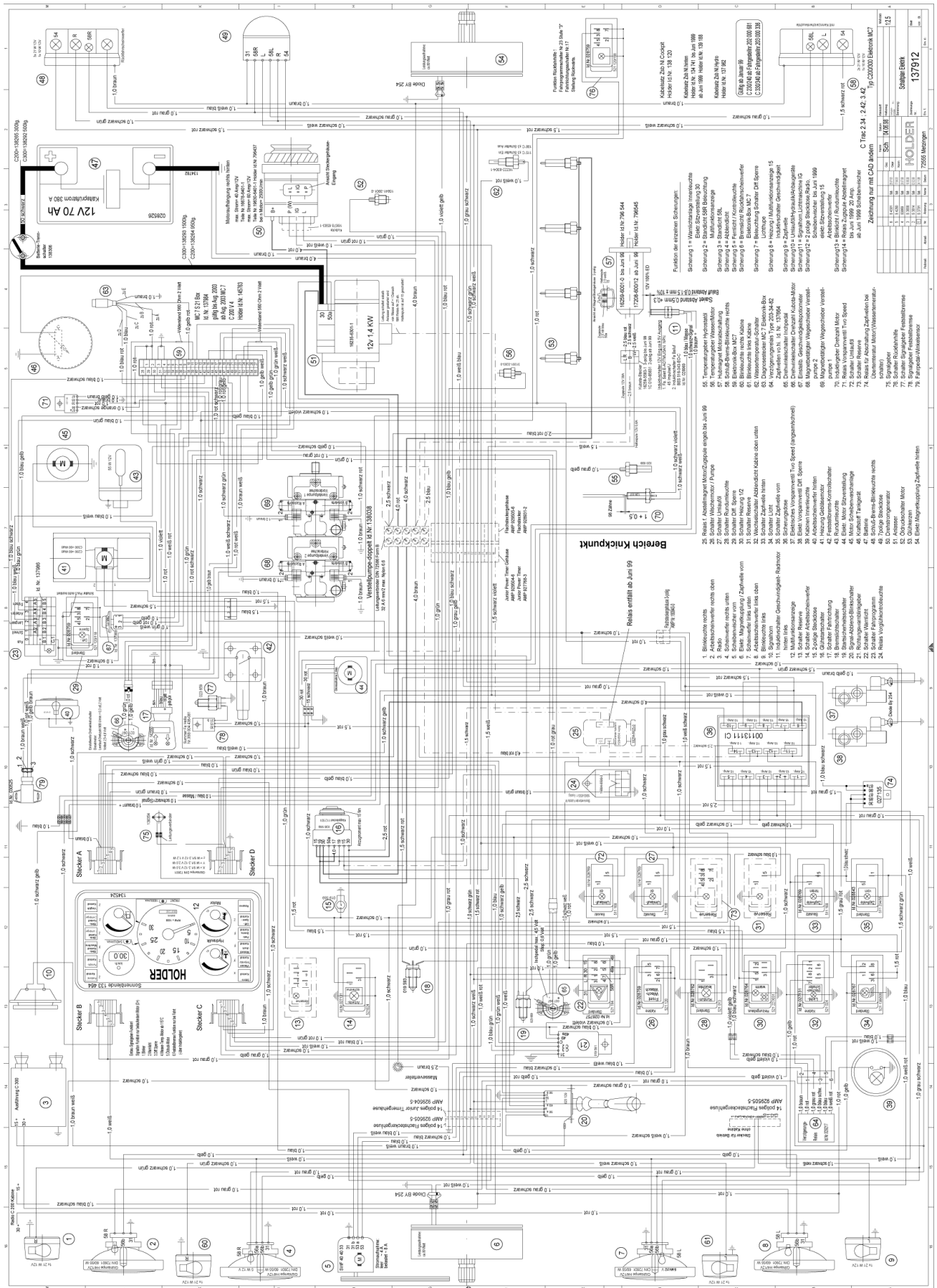


Bildtafel - table - No. 116

Multi-digital-116.ai

26.04.01

Item no.	Article no.	Description	Quantity
18	141336	track broadening front axle	1
20	134308	spacer ring	1
21	029784	WHEEL BOLT	1

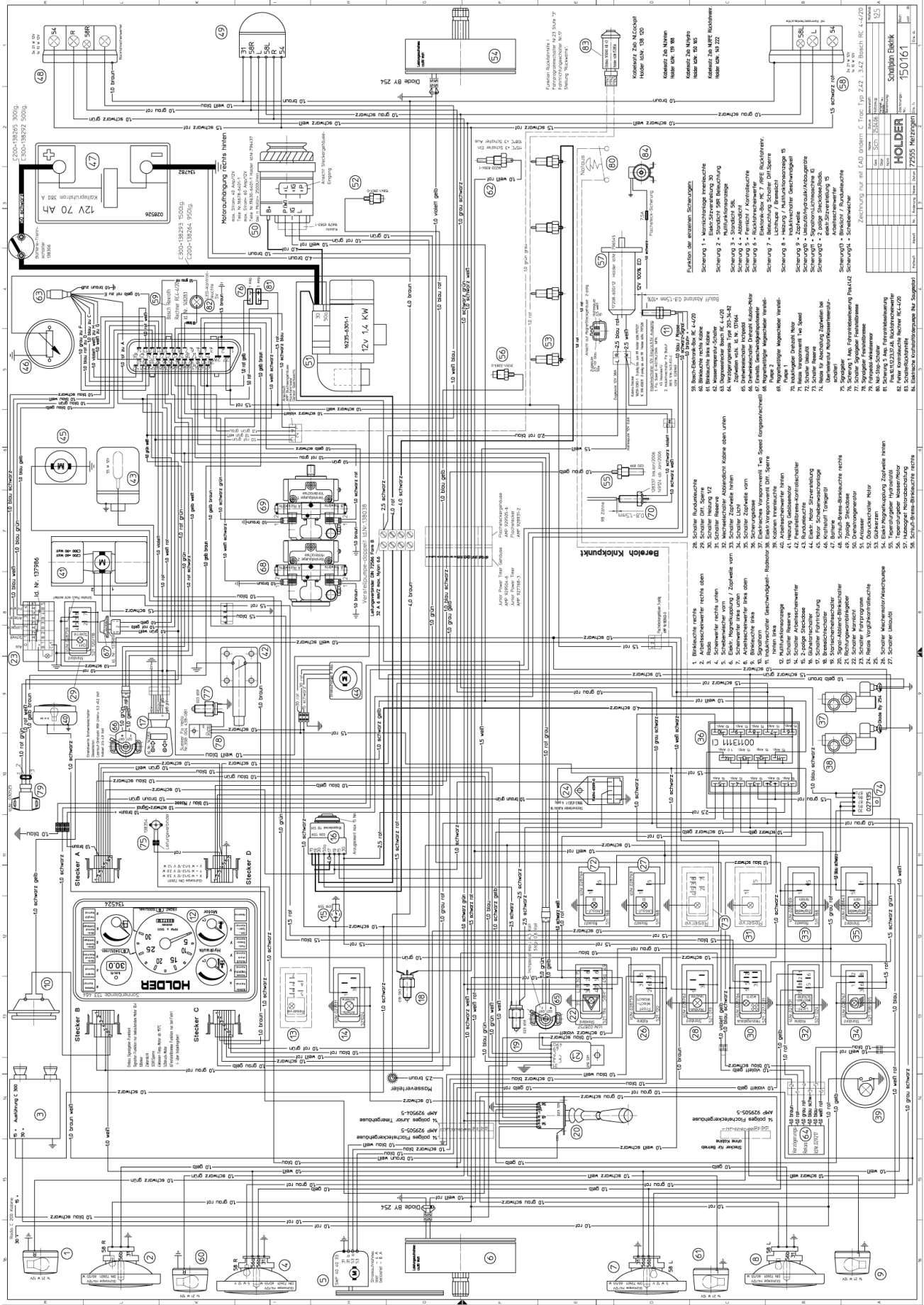


1

gültig bis 202 002 453
203 000 868

Bildtafel - table - No. 118
Multi-digital-118.ai

30.05.07



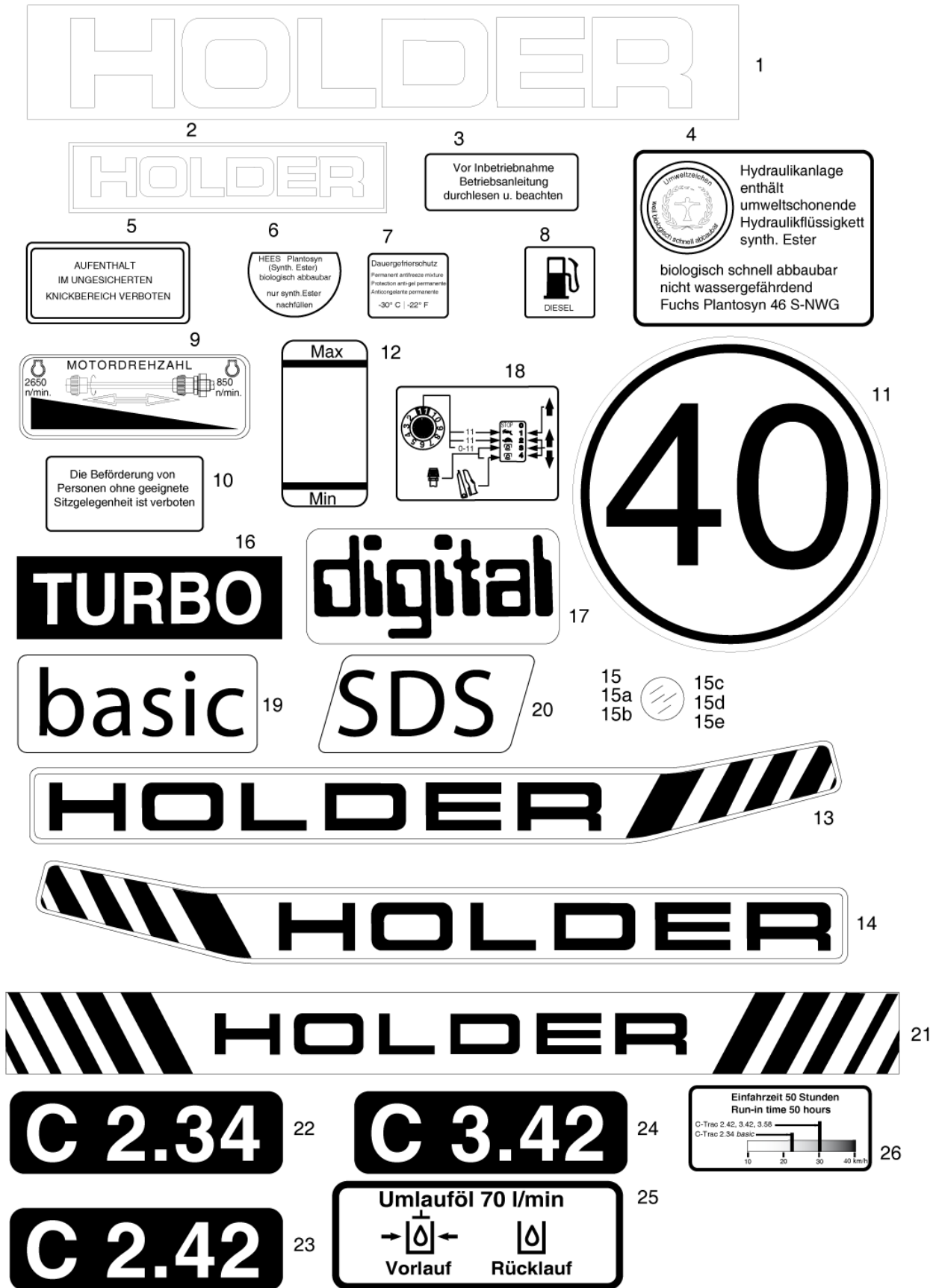
2

gültig ab 202 002 454
203 000 869

Bildtafel - table - No. 118a
Multi-digital-118a.ai 16.01.13

Item no.	Article no.	Description	Quantity
1	137912	+CIRCUIT DIAGRAM, ELECTRICAL	1
2	150161	-CIRCUIT DIAGRAM, ELECTRICITY	1
2.1	157994	-CIRCUIT DIAGRAM, ELECTRICITY	1
2.2	157995	-CIRCUIT DIAGRAM, ELECTRICITY	1
2.3	157996	-CIRCUIT DIAGRAM, ELECTRICITY	1
3	134741	CABLE SET	1
4	139188	CABLE SET REAR	1
4.1	797528	PLUG 2-POLE	1
5	137962	HYDRO CABEL SET	1
6	150165	HYDRO CABEL SET	1
7	145198	HYDRO CABEL SET	1
8	150487	HYDRO CABEL SET	1
9	138120	+CABLE KIT ASSY. COCKPIT	1
10	110188	GASKET KIT	1
11	110187	GASKET KIT	2
12	788546	GASKET KIT	2
13	026937	GASKET KIT FOR COUPLING MUFF	1
14	790320	GASKET KIT	1
15	119380	REPAIR SET	1
16	017160	LOCTITE 573	1
17	022914	SEALING COMPOUND LOCTITE 270	1
18	026279	SEAL HOSE PROFIL	1
19	026264	+GLUE FOR RUBBER EPPLE BOND	1
20	028262	SEALING COMPOUND	1
21	030872	COLOUR SPRAY BLACK GREY	1
22	020656	ORANGE COLOUR SPRAY	1
23	017201	0,5 KG ORANGE COLOUR	1
24	017202	1,0 KG ORANGE COLOUR	1
25	027014	027014	1
26	027015	COLOUR SPRAY TIN	1
27	023520	0,5 KG BLACK COLOUR FOR EXHAUST	1
28	023521	1,0 KG BLACK COLOUR FOR EXHAUST	1
29	143204	OPERATION MANUAL	1
30	031316	Service bag for vehicle documentation	1
31	029451	HOLDER NOTEBOOK	1
32	014772	GASKET RING	1
33	024049	EXCHANGE FILTER	1
34	029723	EXCHANGE FILTER	1
35	784047	GASKET	1
36	784039	VALVE COVER SEALING	1
37	134798	SPARE CARTRIDGE	1
38	784056	V-BELT	1
39	784043	V-BELT	1
40	783606	FILTER CARTRIDGE	1
41	028679	FILTER ELEMENT	1
42	029432	SPARE FILTER ELEMENT	1
43	029539	SUCTION FILTER ELEMENT	1
44	019808	TOOL KIT 91070000059	1

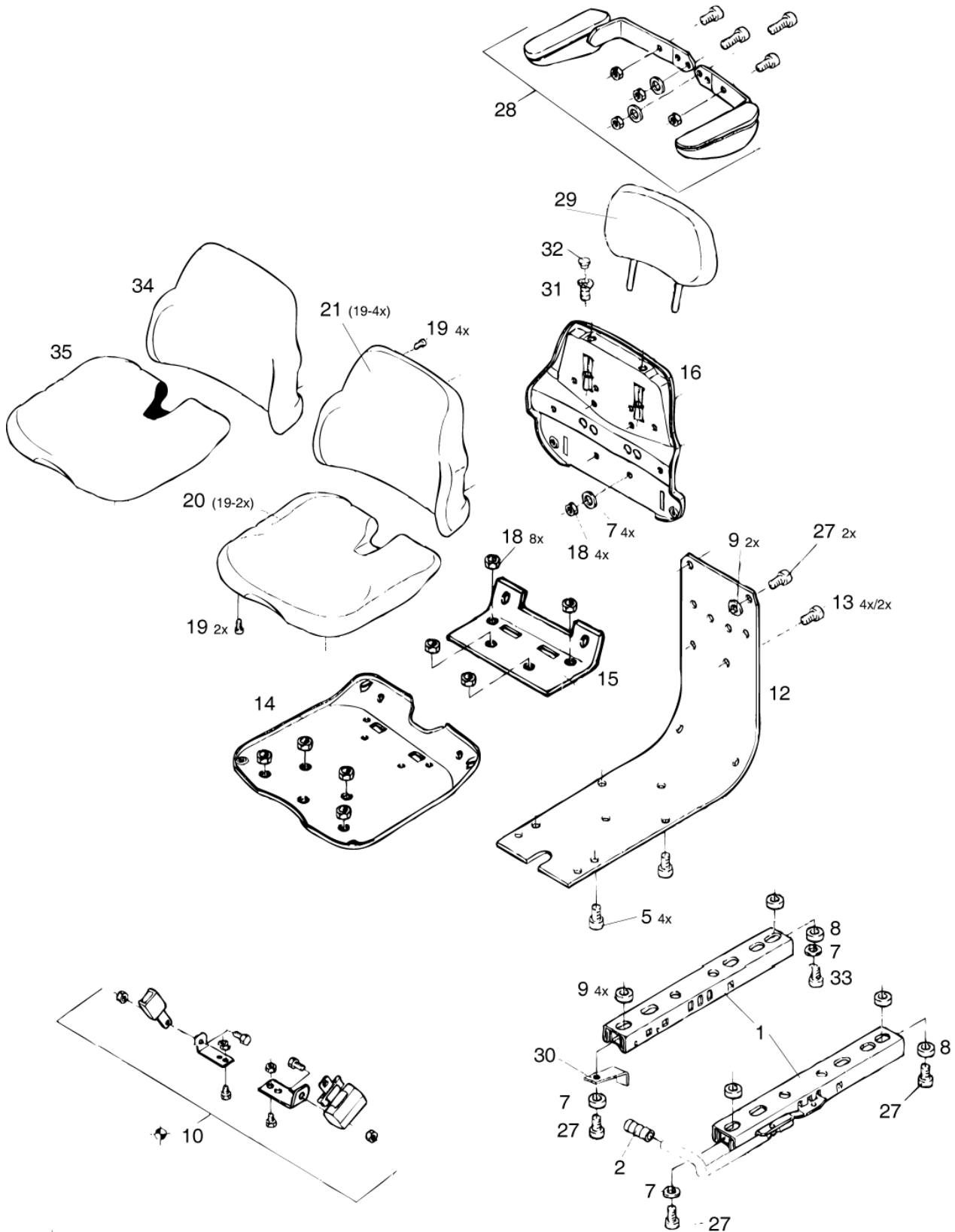
Item no.	Article no.	Description	Quantity
990	800784	INFORMATION SIGN	1



Bildtafel - table - No. 119

Item no.	Article no.	Description	Quantity
1	021937	SIGNATURE	1
2	019416	SIGNATURE	1
3	026300	INFORMATION SIGN	1
4	029976	ADHESIVE LABEL	1
5	022916	ADHESIVE PICTURE	2
6	028981	ADHESIVE LABEL	1
7	025148	INFORMATION SIGN	1
8	023266	INFORMATION SIGN	1
9	133161	SWITCH PLATE ENGINE SPEED	1
10	019903	INFORMATION SIGN	2
11	028960	INFORMATION SIGN	1
12	029203	ADHESIVE LABEL	1
13	134451	ENGINE HOOD DECOR LEFT	1
14	134452	ENGINE HOOD DECOR RIGHT	1
15	023418	STICKER	1
15a	023419	STICKER	1
15b	023420	STICKER	1
15c	023421	STICKER	1
15d	028169	STICKER	1
15e	028170	STICKER	1
16	022686	TYPE PLATE	2
17	138716	DIGITAL STICK-ON LABEL	1
18	145990	ADHESIVE LABEL SDS AND BASIC	1
19	145493	BASIC SHIELD	1
20	145494	ADHESIVE LABEL SDS	1
21	139242	NAME PLATE HOLDER	1
22	143295	TYPE ADHESIVE LABEL	2
22a	137432	+MODEL ADHESIVE LABEL	2
22b	137433	MODEL ADHESIVE LABEL	2
23	143296	TYPE ADHESIVE LABEL	2
23a	137434	MODEL ADHESIVE LABEL	2
24	143297	+MODEL ADHESIVE LABEL	2
24a	137435	+MODEL ADHESIVE LABEL	2
24b	137436	+MODEL ADHESIVE LABEL	2
25	147380	ADHESIVE LABEL	1
26	149932	+ADHESIVE LABEL BREAK-IN TIME AND	1

Item no.	Article no.	Description	Quantity
1000	800786	DRIVER SAET AIR-SUSPENDEDED	1
1010	800787	SPRING FOR SEAT	1
1020	800790	SPRING FOR SEAT	1
1030	800791	PASSENGER SEAT	1
1040	800792	DRIVER SAET AIR-SUSPENDEDED	1
1050	800793	DRIVER SAET AIR-SUSPENDEDED	1



 Nachrüstbar
RETROFIT POSSIBLE

Komplett-Pos. beinhaltet die jeweils
in Klammern () aufgeführten Pos.
MAIN POSITIONS COMPRISE THE POSITIONS
INDICATED IN BRACKETS

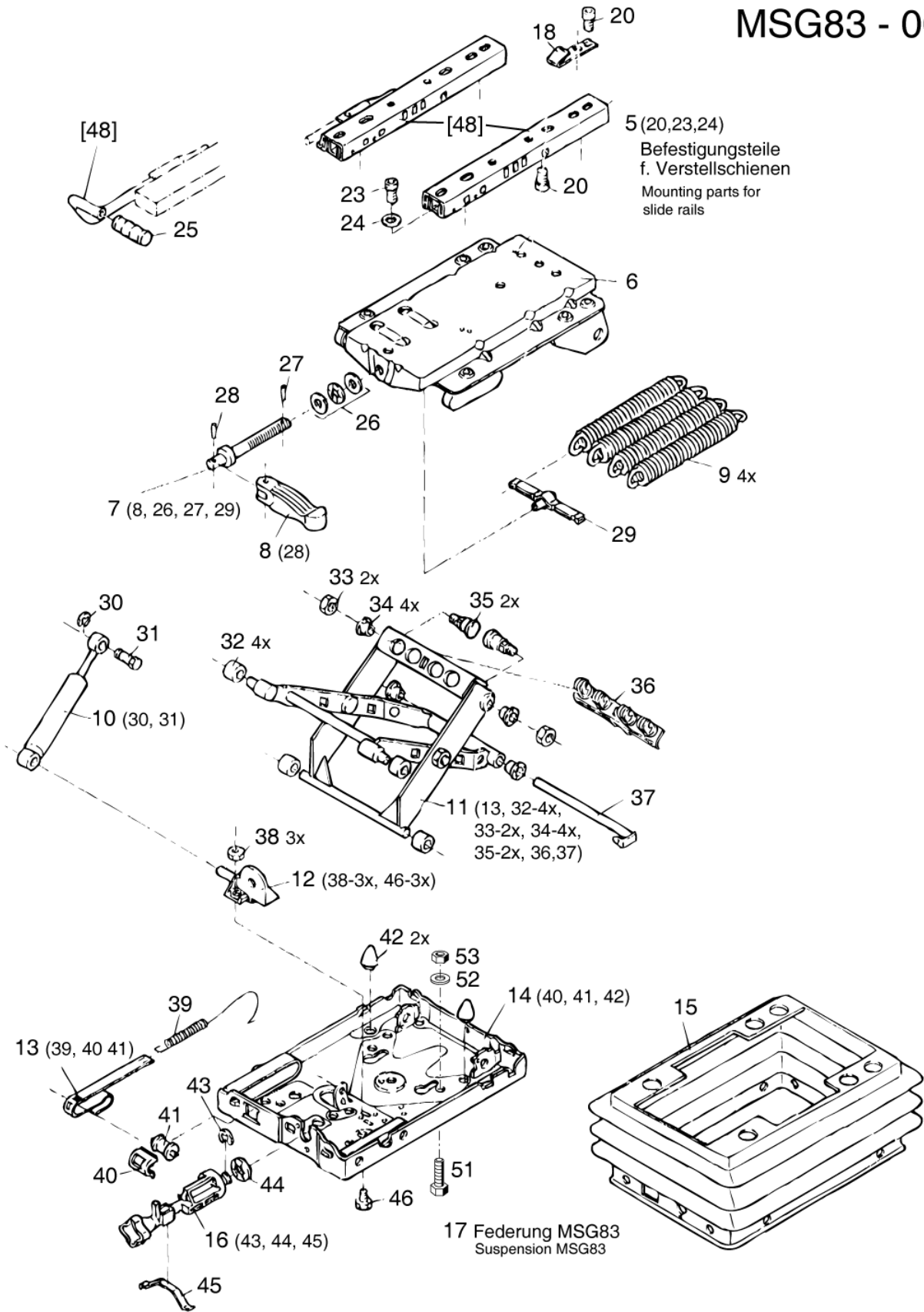
3 Befestigungsteile
f. Verstellschienen
MOUNTING PARTS FOR
SLIDE RAILS

Bildtafel - table - No. 124

Multi-digital-124.ai

14.01.11

Item no.	Article no.	Description	Quantity
0	137679	DRIVER SEAT AIR-SUSPENDED FABRIC COVER	1
0a	137678	DRIVER SEAT MECHANICAL SUSPENDED FABRIC COVER	1
1	797484	SHIFT RAIL SET	1
2	799236	HANDLE	1
3	799237	FIXING PARTS	1
5	799238	799238	4
7	010085	SHIM	6
8	799111	SOCKET	1
9	799239	RING	6
10	147292	KIT LAP BELT	1
12	799240	799240	1
13	025781	INNER-6-HEAD SCREW	2
14	799241	799241	1
15	799242	799242	1
16	799243	799243	1
18	011579	6-HEAD NUT	12
19	799244	LENS HEAD SCREW	6
20	796907	SEAT CUSHION	1
21	796908	BACKREST CUSHION	1
27	799245	799245	5
28	146171	arm rest for seat	1
29	138022	BACKREST EXTENSION	1
30	799246	799246	1
31	799247	BUSH	2
32	799248	SEALING CAP	2
33	799249	799249	1
33.1	150633	CUSHION SET PVC	1
34	150632	BACKREST CUSHION PVC DRIVER SEAT	1
35	150631	SEAT CUSHION PVC DIVER SEAT	1



Komplett - Pos. beinhalten die jeweils in Klammer () aufgeführten Pos. Main positions comprise the positions indicated in brackets

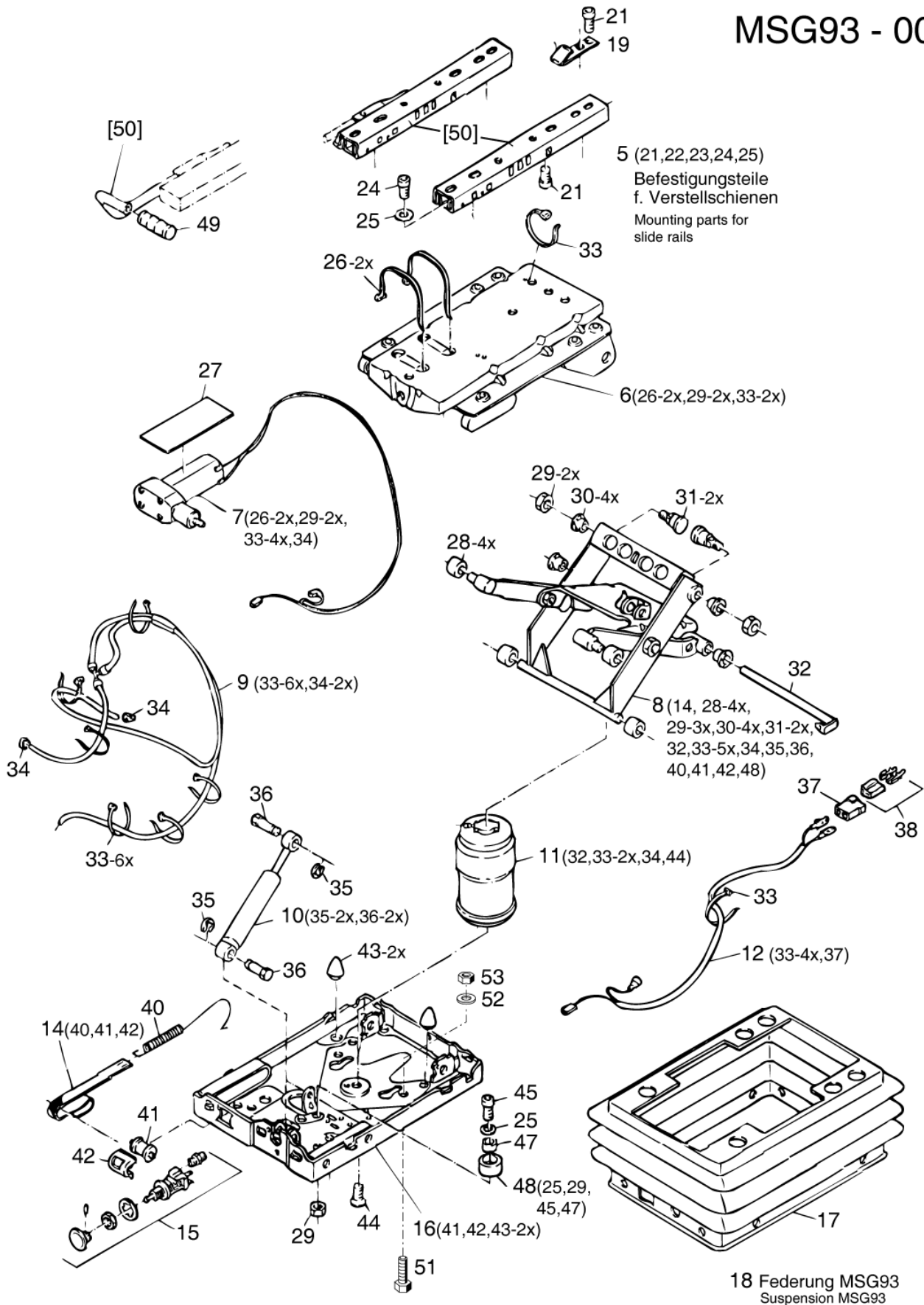
Position in [] spiegelbildliche Ausführung Positions in [] laterally reversed version

Bildtafel - table - No. 125

Multi-digital-125.ai

27.05.11

Item no.	Article no.	Description	Quantity
5	799237	FIXING PARTS	1
6	799064	799064	1
7	799065	799065	1
8	799066	TOGGLE	1
9	799067	TENSION SPRING	4
10	796956	SHOCK ABSORBER	1
11	799068	799068	1
12	799069	799069	1
13	799070	799070	1
14	799071	799071	1
15	799072	799072	1
16	798961	HEIGHT ADJUSTMENT	1
17	796953	SUSPENSION	1
18	799250	LIMIT STOP	1
20	025781	INNER-6-HEAD SCREW	2
23	022635	INNER HEX SCREW	3
24	010085	SHIM	4
25	799236	HANDLE	1
26	800788	800788	1
27	010590	SPRING PIN	1
28	012853	TAPER ROLLER BEARING	1
29	800789	800789	1
30	799097	SAFETY DISC	1
31	799075	BOLT	1
32	797602	ROLL	4
33	011579	6-HEAD NUT	2
34	797603	SOCKET	4
35	799076	799076	2
36	798348	SPRING SUSPENSION	1
37	799095	799095	1
38	011577	6-HEAD NUT	3
39	799077	TENSION SPRING	1
40	799078	GUIDE	1
41	799079	ROLL	1
42	799080	799080	2
43	029195	SAFETY DISC	1
44	799082	SHIM	1
45	799083	799083	1
46	011502	6-HEAD SCREW	3
48	797484	SHIFT RAIL SET	1
51	011509	6-HEAD SCREW	4
52	010063	SPRING WASHER	4
53	011579	6-HEAD NUT	4



Komplett - Pos. beinhalten die jeweils
in Klammer () aufgeführten Pos.
Main positions () comprise the positions
indicated in brackets

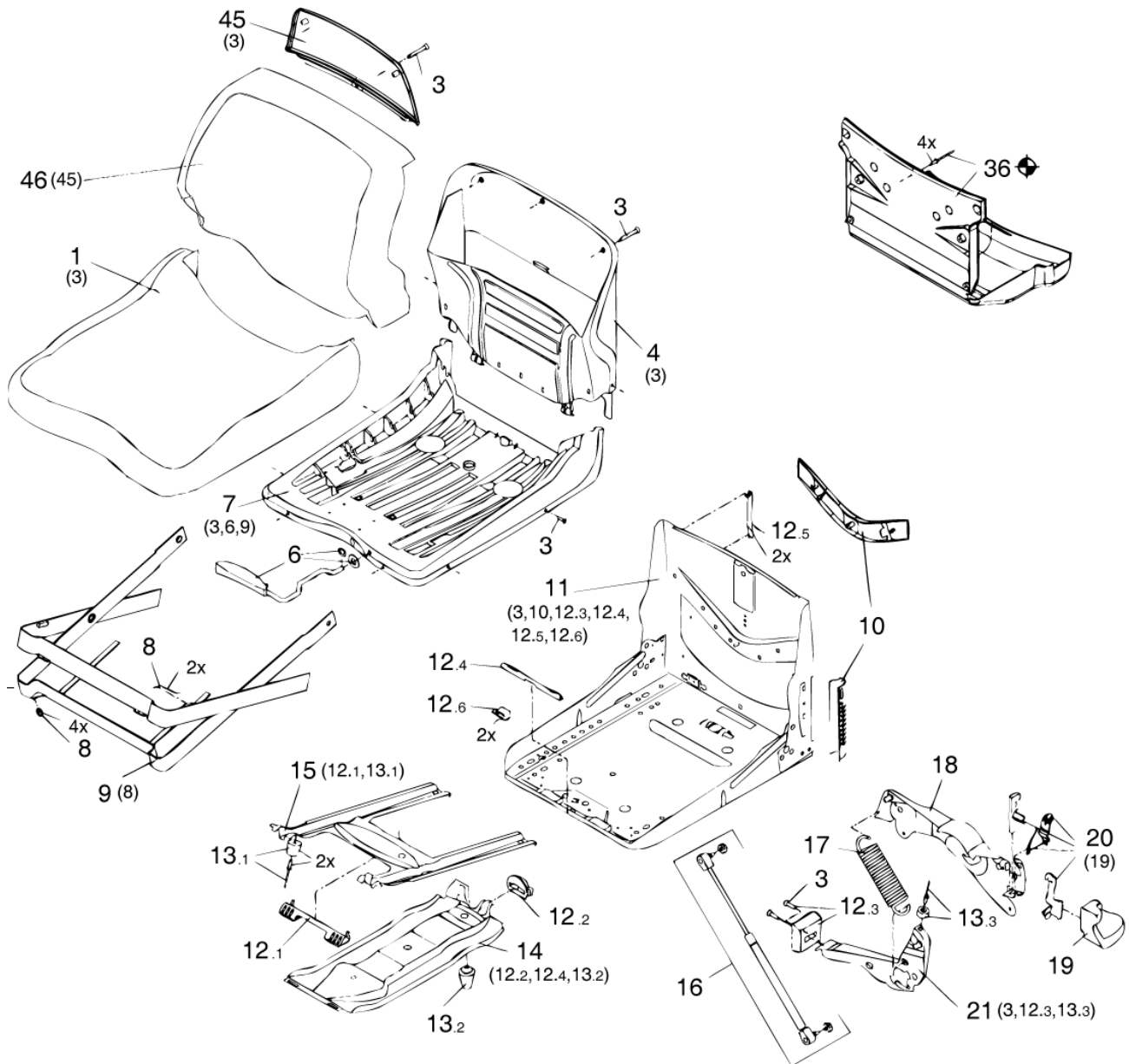
Position in [] spiegelbildliche Ausführung
Positions in [] laterally reversed version

Bildtafel - table - No. 126

Multi-digital-126.ai

13.01.11

Item no.	Article no.	Description	Quantity
1	796815	SUSPENSION	1
5	799237	FIXING PARTS	1
6	799086	799086	1
7	796436	COMPRESSOR	1
8	799087	799087	1
9	796975	AIR HOSE SET	1
10	796956	SHOCK ABSORBER	1
11	796786	AIR SPRING	1
12	799088	799088	2
14	799089	799089	2
15	797248	VALVE	3
16	796952	SUSPENSION UNDER PART	3
17	799090	BELLOWS	4
18	796815	SUSPENSION	4
19	799250	LIMIT STOP	5
21	025781	INNER-6-HEAD SCREW	2
24	022635	INNER HEX SCREW	3
25	010085	SHIM	3
26	799092	CABLE STRAP	2
27	799093	799093	1
28	797602	ROLL	4
29	011579	6-HEAD NUT	3
30	797603	SOCKET	4
31	799076	799076	2
32	799095	799095	1
33	027245	027245	7
34	799096	799096	2
35	799097	SAFETY DISC	2
36	799075	BOLT	2
37	799099	799099	1
38	799100	PLUG	1
40	799077	TENSION SPRING	1
41	799079	ROLL	1
42	799078	GUIDE	1
43	799080	799080	2
44	011670	COUNTERSUNK SCREW	1
45	011585	6-HEAD NUT	1
47	799105	799105	1
48	799106	799106	1
49	799236	HANDLE	1
50	797484	SHIFT RAIL SET	1
51	011509	6-HEAD SCREW	4
52	010063	SPRING WASHER	4
53	011579	6-HEAD NUT	4



Pos. 12.1-12.6 Verschleißteilesatz
 POS. 12.1-12.6 WEARING PART KIT

Pos. 13.1-13.3 Puffersatz
 POS. 13.1-13.3 BUMPER KIT

◆ Nachrüstbarkeit nach vorheriger
 Anfrage möglich
 RETROFIT POSSIBLE AFTER PREVIOUS
 INQUIRY

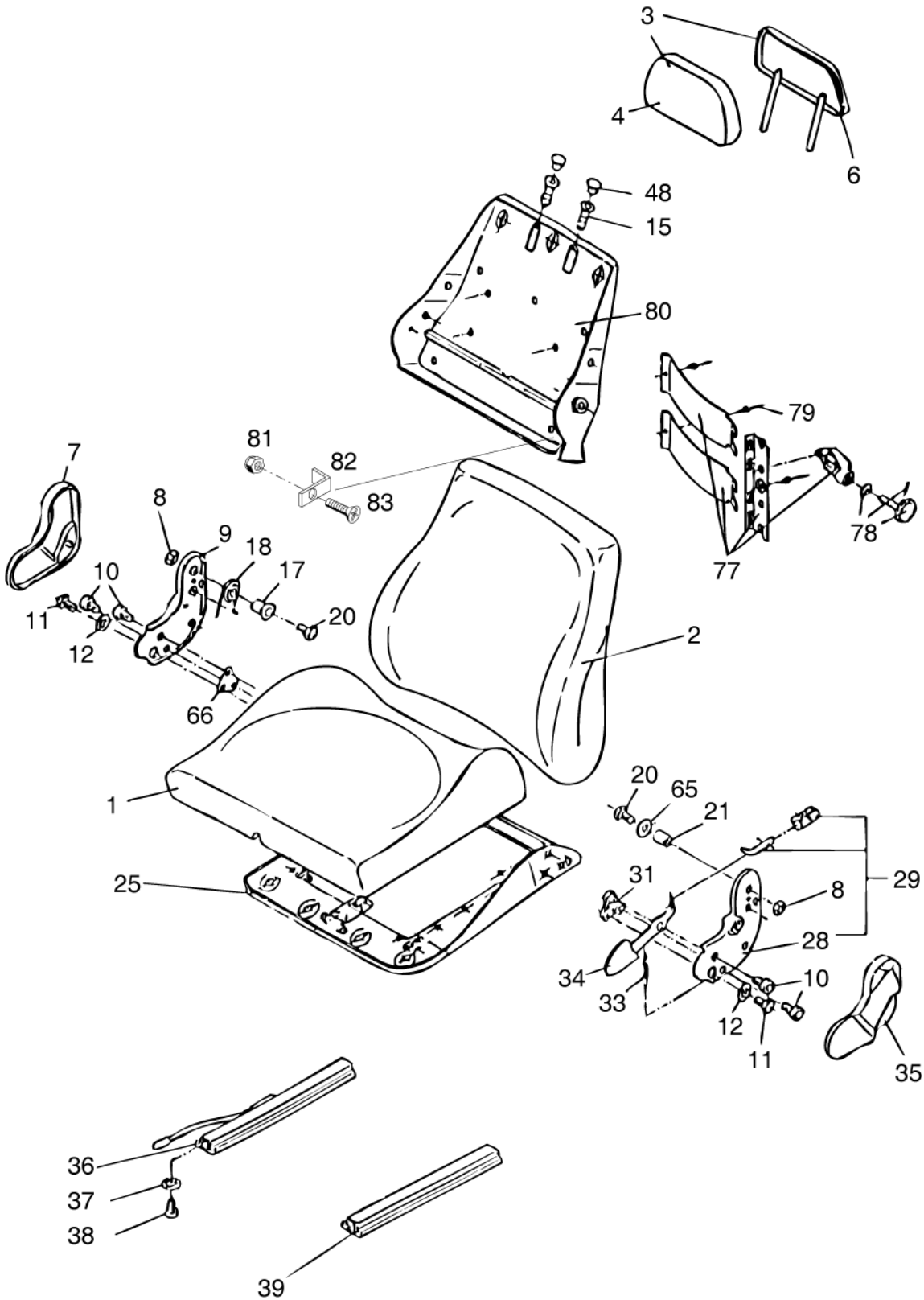
Bildtafel - table - No. 127

Multi-digital-127.ai

23.03.01

Komplett-Pos. beinhalten die in Klammern () aufgeführten Pos.
 CPL.-POS. INCLUDE THE POSITIONS WHICH ARE LISTED IN BRACKETS ().

Item no.	Article no.	Description	Quantity
0	137680	PASSENGER SEAT	1
1	798166	SEAT CUSHION	1
3	798962	MOUNTING KIT	1
4	799252	799252	1
6	799253	799253	1
7	799254	799254	1
8	798963	REPAIR SET FOR COVER	1
9	798964	COVER	1
10	799255	799255	1
11	799256	799256	1
12	799257	799257	1
13	799258	799258	1
14	799259	799259	1
15	799260	799260	1
16	799261	799261	1
17	799262	799262	1
18	799263	799263	1
19	798144	HANDLE	1
20	799264	HANDLE	1
21	799265	799265	1
36	799266	799266	1
45	799267	COVER	1
46	798072	BACKREST CUSHION	1

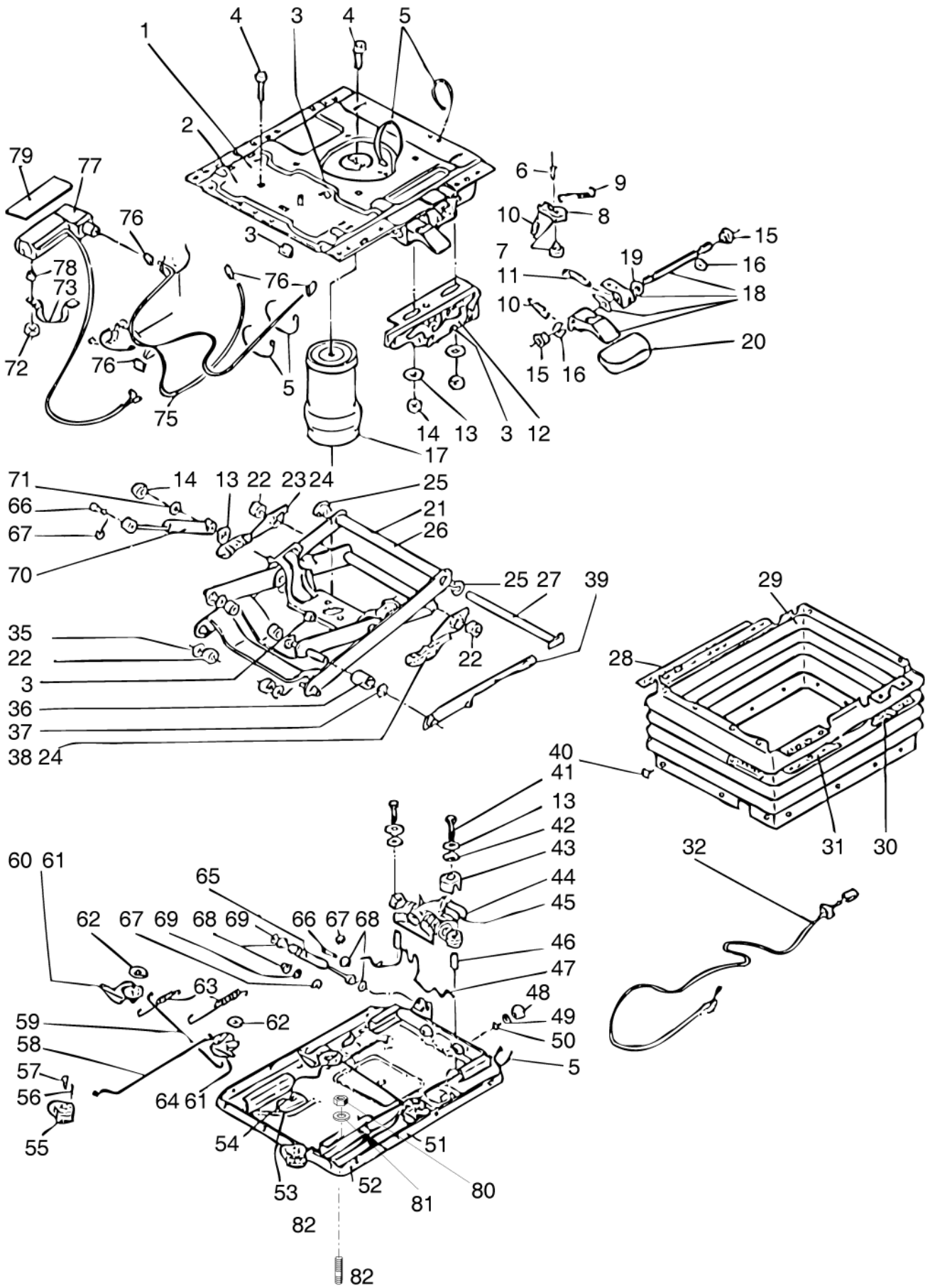


Bildtafel - table - No. 128

Multi-digital-128.ai

02.02.06

Item no.	Article no.	Description	Quantity
0	147926	DRIVER SAET AIR-SUSPENDED	1
0a	131846	DRIVER SEAT	1
0b	799271	799271	1
1	783116	SEAT CUSHION	1
2	799272	799272	1
3	133110	+BACK EXTENSION ASSY.	1
4	799273	799273	1
6	799274	799274	1
7	799275	COVER RIGHT	1
8	011579	6-HEAD NUT	2
9	799276	799276	9
10	010462	LENS HEAD SCREW	4
11	799277	799277	2
12	799278	799278	2
15	799279	BUSH	2
17	799280	799280	1
18	799281	799281	1
20	011520	6-HEAD SCREW	2
21	799282	BUSH	1
25	799283	799283	1
28	799284	799284	1
29	797543	FITTING LEFT	1
31	799285	799285	1
33	799286	799286	1
34	798073	LEVER	1
35	799287	COVER LEFT	1
36	799288	799288	1
37	010085	SHIM	4
38	010024	CYLINDER SCREW	4
39	799289	799289	1
48	799290	SEALING CAP	2
65	012537	SHIM	1
66	799291	799291	1
77	799292	799292	1
78	799293	799293	1
79	016637	BLANK RIVET	3
80	799294	799294	1
81	011683	6-HEAD NUT	1
82	102636	ANGLE BRACKET	1
83	011668	COUNTERSUNK SCREW	1

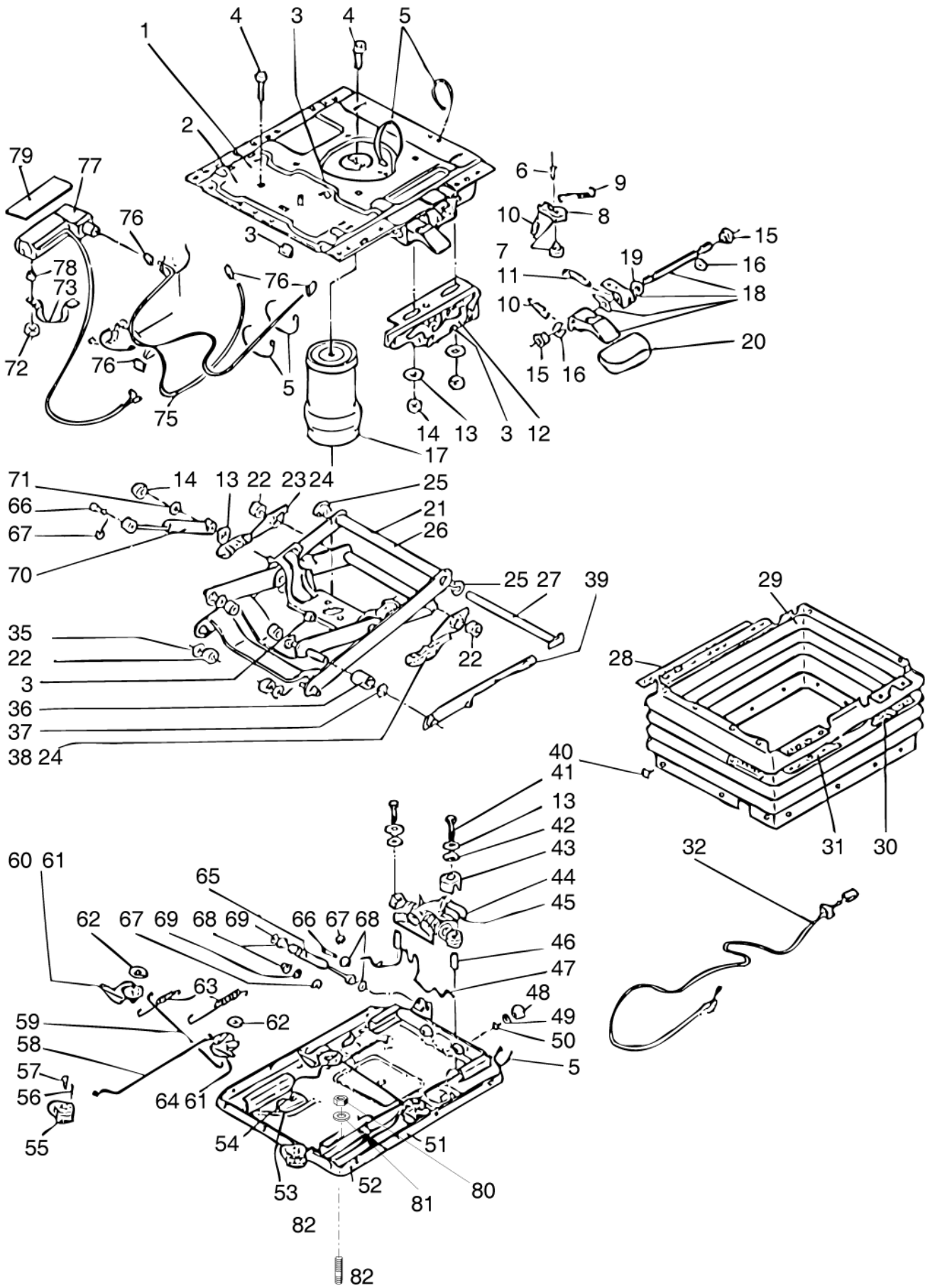


Bildtafel - table - No. 129

Multi-digital-128.ai

02.02.06

Item no.	Article no.	Description	Quantity
1	799297	799297	1
2	799298	799298	1
3	799299	799299	4
4	799300	799300	1
5	799301	799301	7
6	799302	799302	1
7	799303	799303	1
8	799304	799304	1
9	799305	799305	1
10	799306	TENSION SPRING	2
11	799307	TENSION SPRING	1
12	799308	799308	1
13	010044	SHIM	5
14	011577	6-HEAD NUT	3
15	799309	BUSH	2
16	799310	799310	2
17	783121	AIR SPRING	1
18	783120	SLIDE ADJUSTMENT	1
19	799311	RING	1
20	783119	HANDLE	1
21	799312	799312	1
22	799313	799313	6
23	799314	799314	1
24	799315	799315	1
25	799316	BUSH	1
26	799317	799317	1
27	799318	BOLT	1
28	799319	799319	1
29	799320	BELLOWS	1
30	799321	799321	1
31	799322	799322	1
32	799323	CONNECTION CABLE	1
35	799324	799324	4
36	799325	799325	1
37	799326	799326	1
38	799327	799327	1
39	799328	799328	1
40	782827	RETAINING STOPPER	25
41	011520	6-HEAD SCREW	2
42	010047	SHIM	2
43	799329	799329	1
44	799330	799330	1
45	799331	799331	1
46	799332	799332	2
47	799333	HOOK	1
48	799334	799334	1
49	013717	SHIM	2
50	799335	799335	2
51	799336	799336	1
52	799337	799337	1
53	799338	799338	1



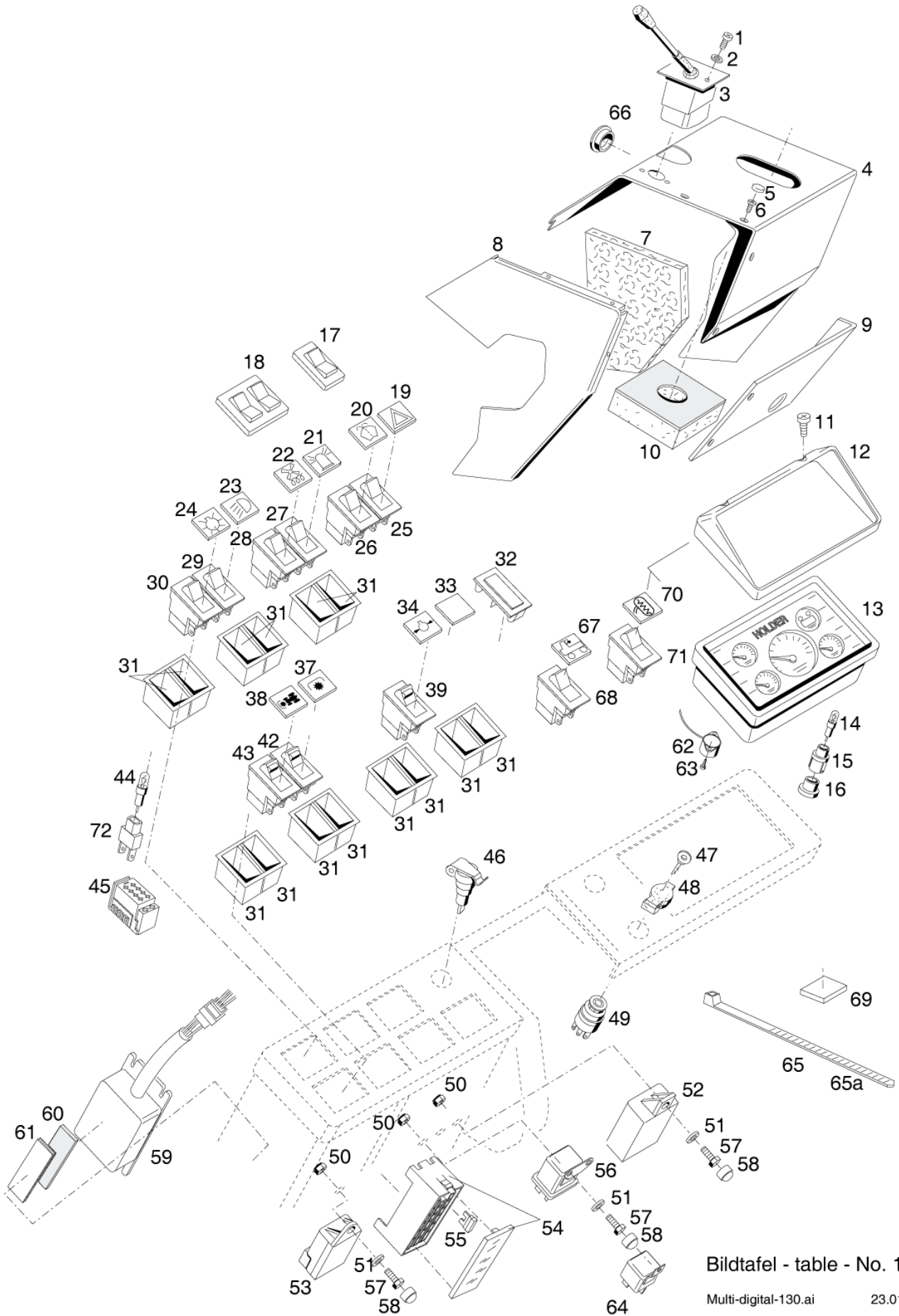
Bildtafel - table - No. 129

Multi-digital-128.ai

02.02.06

Item no.	Article no.	Description	Quantity
54	799342	799342	1
55	799343	HANDLE	1
56	799344	799344	1
57	799345	799345	1
58	799346	HOOK	1
59	799347	HOOK	1
60	799348	799348	1
61	799349	799349	1
62	799350	799350	2
63	799351	799351	2
64	799352	799352	1
65	799353	799353	1
66	799354	799354	2
67	799355	799355	3
68	799356	BUSH	4
69	010085	SHIM	2
70	799357	799357	1
71	010464	SHIM	1
72	011579	6-HEAD NUT	1
73	799358	799358	1
75	798115	AIR HOSE SET	1
76	799359	799359	1
77	783145	COMPRESSOR	1
78	799360	BUSH	1
79	799361	799361	1
80	011579	6-HEAD NUT	4
81	010063	SPRING WASHER	4
82	011012	STUD SCREW	4

Item no.	Article no.	Description	Quantity
1060	800795	DASH BOARD, DELAY RELAIS	1

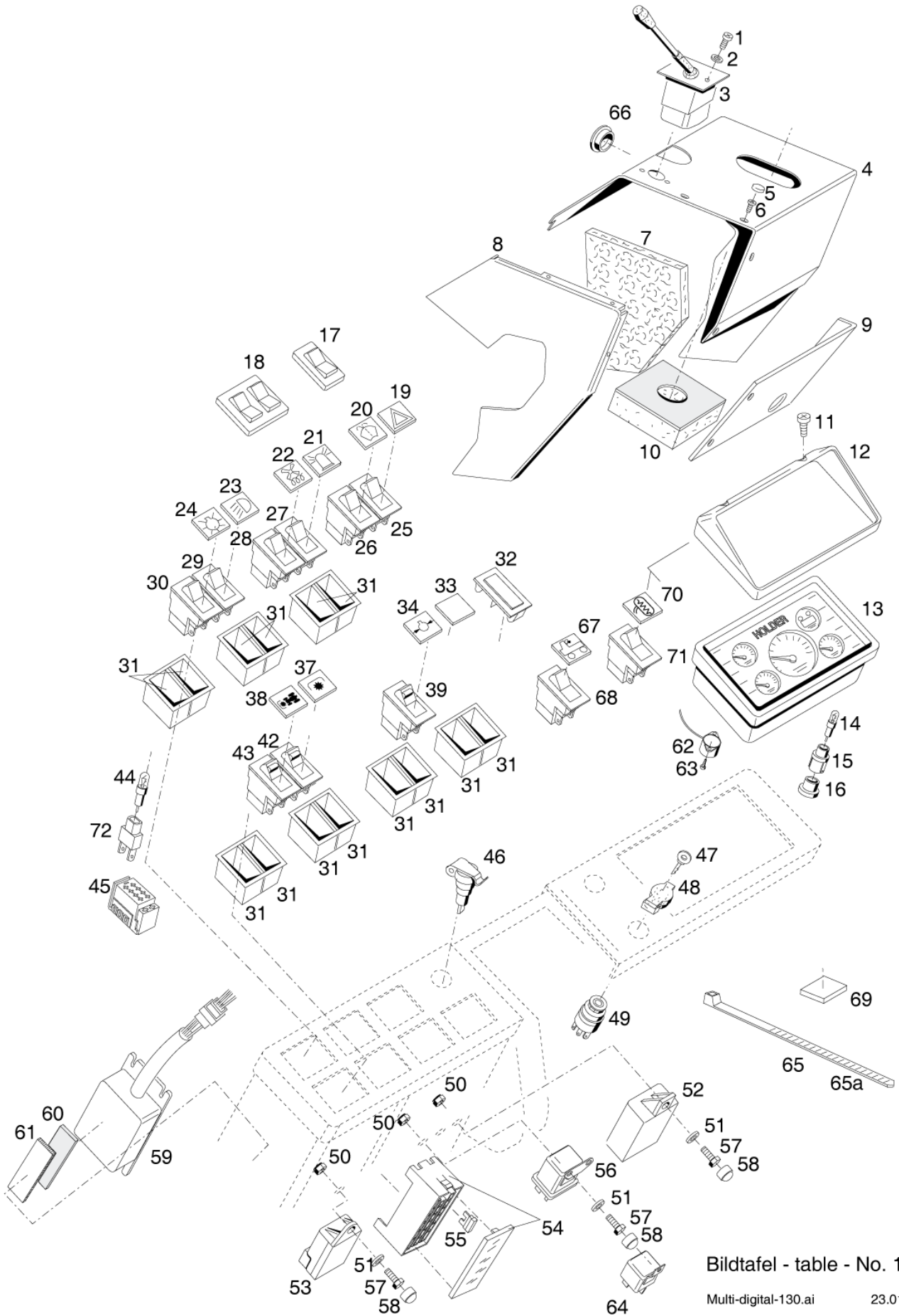


Bildtafel - table - No. 130

Multi-digital-130.ai

23.01.06

Item no.	Article no.	Description	Quantity
1	010012	CYLINDER SCREW	2
2	011741	SPRING WASHER	2
3	023129	COMBINATION SWITCH	1
4	135767	STEERING COVER	1
5	028911	PLASTIC CAP	10
6	028910	SCREW	10
7	135810	COVER	1
8	135766	+COVER 3	1
9	135768	+COVER 4	1
10	132034	STEERING COVER	1
11	021931	FILISTER SHEET METALL SCREW	2
12	133464	SUN VISOR	1
13	134524	MULTIFUNCTION DISPLAY	1
14	012020	BULB FOR MOTOR VEHICLE	16
15	796802	LAMP HOLDER WITH GLASS LAMP BASE	16
16	797039	BONNET	20
17	027884	BONNET	1
18	027883	BONNET	1
19	028758	+USE SYMBOL WARNING LIGHT	1
20	028760	INSERT SYMBOL	1
21	024226	INSERT SYMBOL	1
22	028765	SYMBOL	1
23	030776	USE SIGN GREEN	1
24	788595	SYMBOL	1
25	028757	SWITCH	1
26	028759	SWITCH WINDSHILD WASHER	1
27	028762	SWITCH	1
28	028764	SWITCH HEATER	1
29	027131	BUTTON TOGGEL SWITCH	1
30	028767	SWITCH LIGHT	1
31	028783	TAIL	14
32	131545	COVER	1
33	027911	INSERT SYMBOL	1
34	788591	INSERT SYMBOL	1
37	028787	INSERT SYMBOL	1
38	028770	+USE SYMBOL PTO SHAFT. front	1
39	030735	SWITCH	1
42	030735	SWITCH	1
43	030735	SWITCH	1
44	012020	BULB FOR MOTOR VEHICLE	1
45	797003	RECEPTACLE HOUSING	1
46	019559	PLUG 2-POLE	1
47	026560	IGNITION KEY	2
48	112531	HINGED LID	1
49	026559	GLOWSHOT WITH 2 KEYS AND FLIP-TOP	1
50	011683	6-HEAD NUT	4
51	010886	SHIM	4
52	019591	DIRECTION-HAZARD WARNING LIGHT	1
53	028771	+TIMER RELAY	1
54	028777	028777	1
55	026604	FLAT BLADE FUSE	11



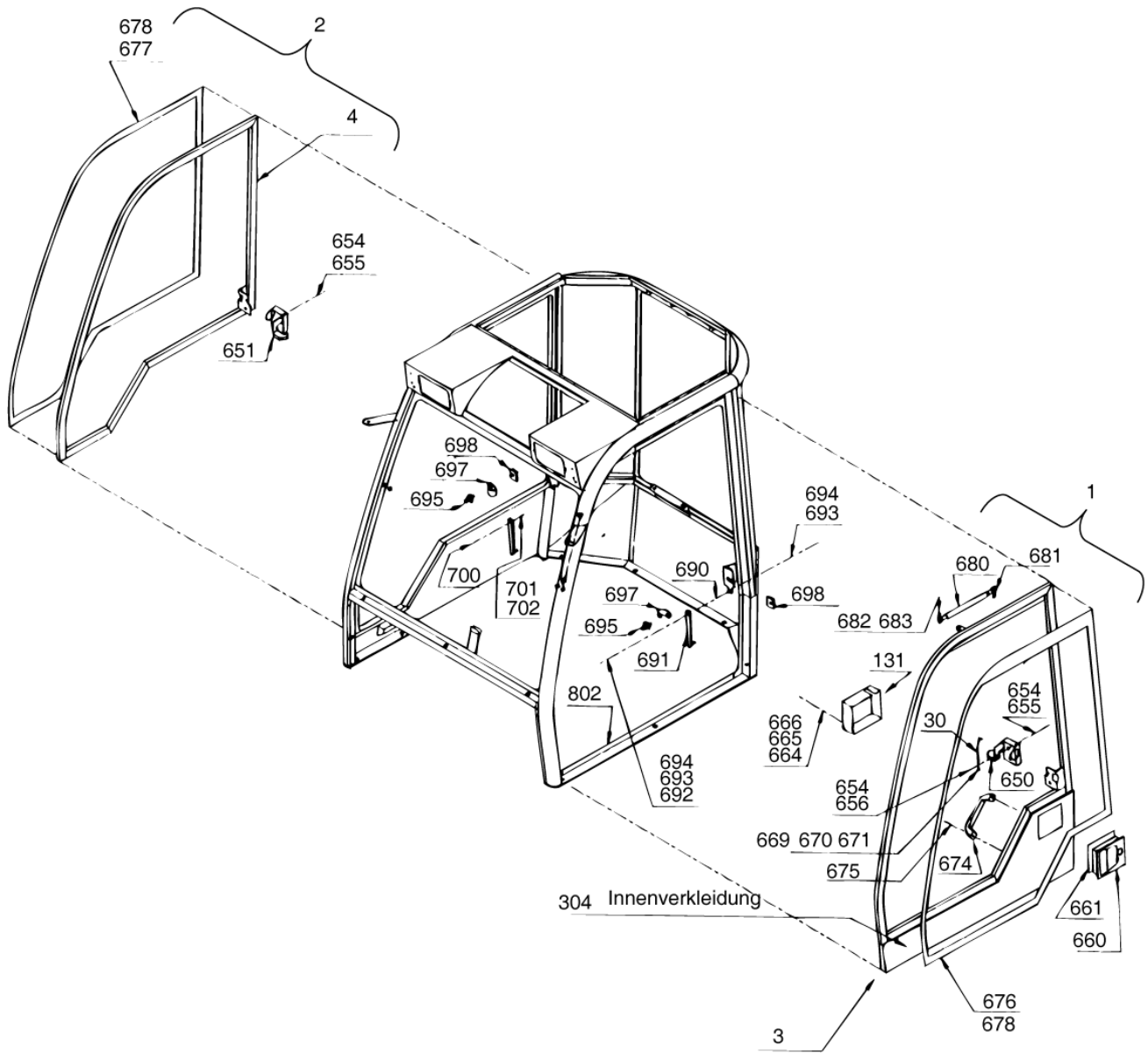
Bildtafel - table - No. 130

Multi-digital-130.ai

23.01.06

Item no.	Article no.	Description	Quantity
55a	027733	FLAT BLADE FUSE	2
55b	026667	FLAT BLADE FUSE	1
56	028774	+RELAY	1
57	011503	6-HEAD SCREW	4
58	131941	BONNET	4
58.1	137644	relais	1
59	029217	DELAY RELAIS	1
60	029265	FLEECE STRAP	1
61	027074	CHAINING BAND	1
61.1	137840	137840	1
62	138354	SIGNALING DEVICE	1
63	021931	FILISTER SHEET METALL SCREW	2
64	030616	CHANGEOVER RELAIS WITHOUT EXTINGUISHING DIODE	1
65	027250	CABLE BAND	3
65a	019743	CABLE BAND	3
66	025575	SEALING COVER	1
67	023747	SYMBOL	1
68	023745	BUTTON TOGGEL SWITCH	1
69	028977	SOCLE FOR CABLE BAND	1
70	028463	SYMBOL	1
71	023745	BUTTON TOGGEL SWITCH	1
72	797238	LAMP HOLDER WITH LAMP FOR SWITCH	1

Item no.	Article no.	Description	Quantity
1070	800797	VCI CABIN, DOOR; C200	1
1080	800798	VCI CABIN, ROOF, MIRROR, ROTATING BEACON, C200	1
1090	800799	VCI CABIN, REAR WINDOW, SIDE WINDOW, C200	1
1100	800800	WINDSHIELD; WINDSHIELD WIPERS; WORKING SPOTLIGHT; VCI; C200	1
1110	800801	VCI CABIN, HEATING, C200	1
1120	800802	VCI CABIN, HEATER HOSE, C200	1
1130	800803	VCI CABIN, FLOOR PAN, COVER PLATES, HEAD LIGHT	1
1140	800804	VCI CABIN, DIRT TRAP, C200	1

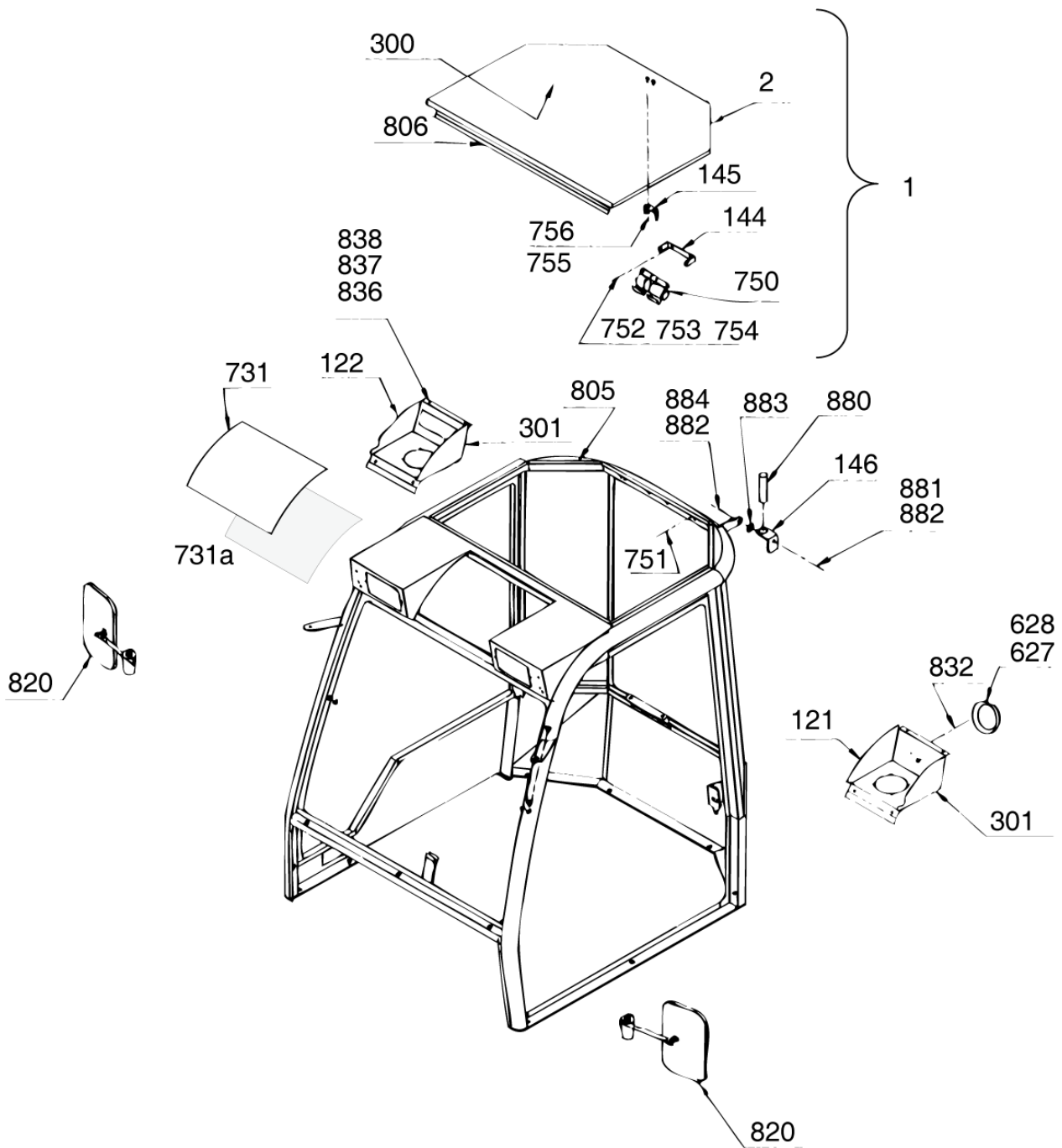


Bildtafel - table - No. 132

Multi-digital-132.ai

26.03.01

Item no.	Article no.	Description	Quantity
1	799362	799362	1
2	799363	799363	1
3	799504	799504	1
4	799505	799505	1
30	797002	LOCK BAR	1
131	799484	COVER	1
304	799364	799364	1
650	788936	LOCK LEFT	1
651	788937	LOCK RIGHT	1
654	010085	SHIM	4
655	799365	799365	4
656	011935	6-HEAD NUT	4
660	788935	OUTSIDE LOCK	1
660.1	788938	KEY	2
661	788934	SLEEVE	1
664	011749	SHIM	4
665	011139	SPRING RING	4
666	799366	799366	4
669	011571	6-HEAD NUT	2
670	799367	799367	2
671	799368	SHIM	2
674	788941	HANDGRIP	1
675	799369	799369	2
676	786492	WINDOW FOR DOOR LEFT	1
677	786493	DOOR WINDOW RIGHT SIDE C200	1
678	028262	SEALING COMPOUND	1
680	789160	GAS SPRING	1
681	789158	789158	2
682	010044	SHIM	3
683	011935	6-HEAD NUT	2
690	799370	799370	2
691	789157	BRACKET	2
692	011518	6-HEAD SCREW	1
693	011044	INNER-6-HEAD SCREW	3
694	011935	6-HEAD NUT	2
695	797770	COTTER BOLT	2
697	799371	799371	2
698	796434	LOCK PLATE	2
700	799372	799372	1
701	011749	SHIM	1
702	011683	6-HEAD NUT	1
802	789135	SEALING PROFILE	2

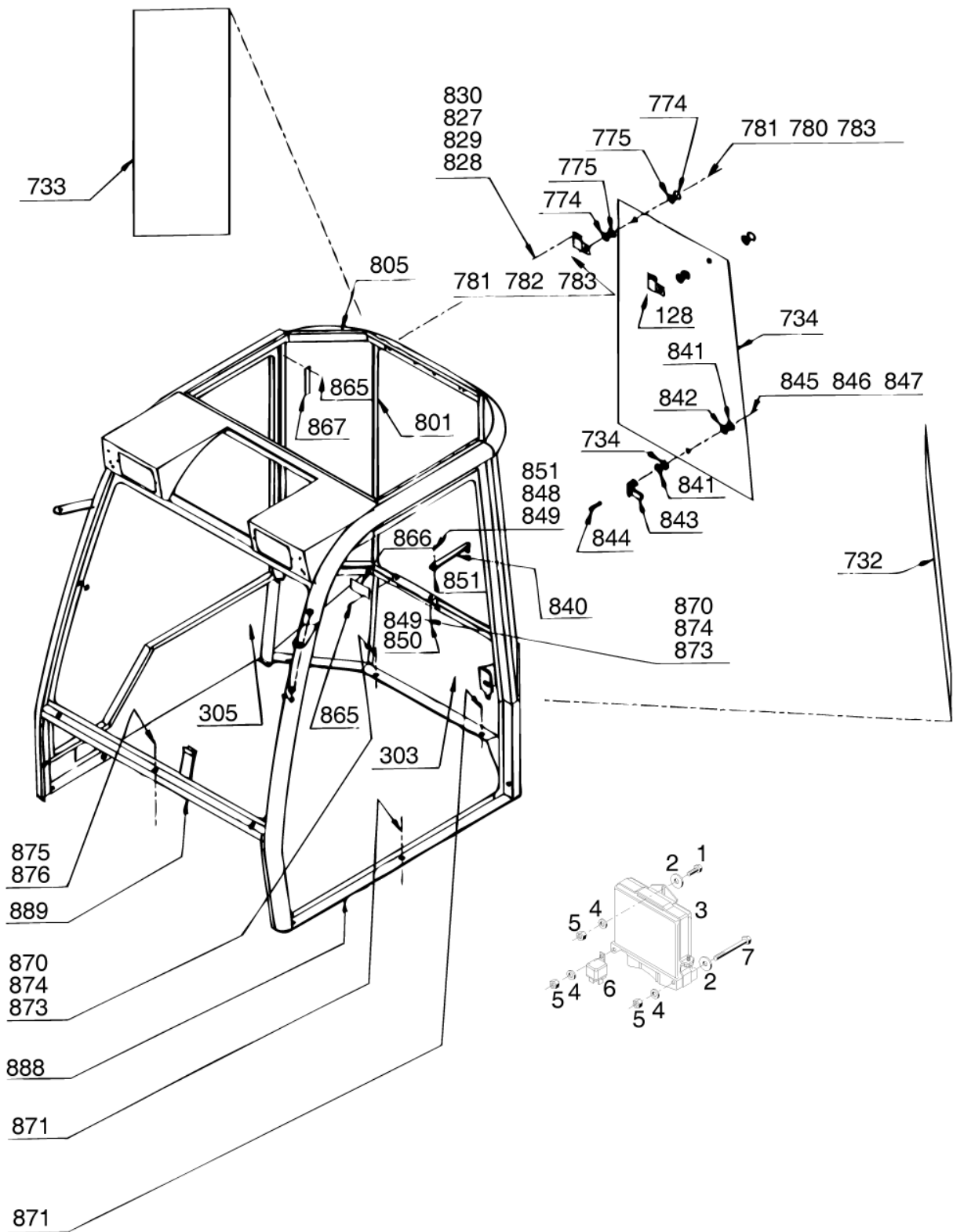


Bildtafel - table - No. 134

Multi-digital-134.ai

26.03.01

Item no.	Article no.	Description	Quantity
1	796967	ROOF HATCH	1
2	799506	ROOF HATCH	1
121	796805	ROOF BOX LEFT	1
122	796804	ROOF BOX RIGHT	1
144	796431	RETAINER	1
145	796432	796432	1
146	796392	ANGLE	1
300	799373	799373	1
301	799374	799374	1
627	788927	INTERIOR LIGHT	1
628	799375	799375	1
731	786491	ROOF SCREEN	1
731a	796487	SUN PROTECTION FILM	1
750	788939	HANDLE	1
751	799376	799376	2
752	011159	6-HEAD SCREW	2
753	011749	SHIM	2
754	011139	SPRING RING	2
755	011935	6-HEAD NUT	2
756	011749	SHIM	2
805	789133	789133	1
806	789134	789134	1
820	789196	MIRROR	2
832	799377	799377	2
836	010464	SHIM	8
837	799378	799378	8
838	790784	790784	8
880	796342	PIPE	1
881	011514	6-HEAD SCREW	1
882	010044	SHIM	1
883	799379	799379	1
884	011935	6-HEAD NUT	1
886	025426	BULB FOR MOTOR VEHICLE	1
887	027952	LIGHTING HOOD YELLOW WITH OPTICS	1

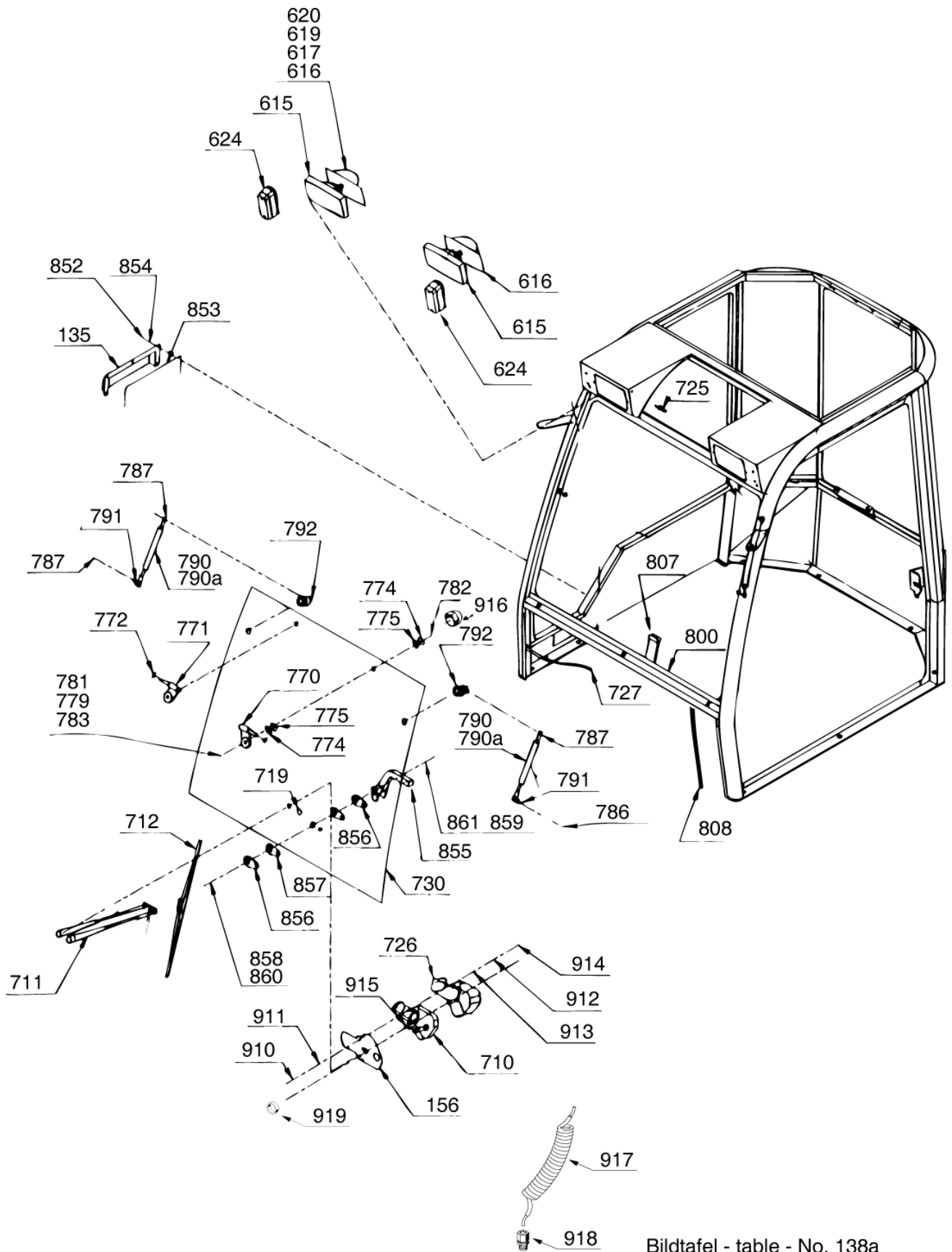


Bildtafel - table No. 136

Multi-digital-136.ai

26.03.01

Item no.	Article no.	Description	Quantity
1	011158	6-HEAD SCREW	1
2	010464	SHIM	3
3	137984	ELECTRONIC BOX CPL.	1
3a	138349	ELECTRONIC BOX	1
3b	138350	CONNECTING CABLE	1
4	011742	SPRING WASHER	3
5	011683	6-HEAD NUT	3
6	027135	CHANGEOVER RELAIS WITHOUT EXTINGUISHING DIODE	1
7	022975	6-HEAD SCREW	2
128	796386	HINGE	2
303	799425	799425	1
305	799426	799426	1
732	786499	SIDE WINDOW LEFT	1
733	786501	SIDE WINDOW RIGHT	1
734	786498	REAR WINDOW	1
774	789294	SHIM	8
775	789295	SHIM	8
780	011520	6-HEAD SCREW	2
781	010044	SHIM	8
782	011935	6-HEAD NUT	4
783	023241	BONNET	9
801	789135	SEALING PROFILE	1
805	789133	789133	1
827	799427	799427	4
828	010887	SHIM	4
829	011139	SPRING RING	4
830	799428	799428	4
840	789157	BRACKET	1
841	789294	SHIM	2
842	789295	SHIM	2
843	788943	WINDOW SHUTTER	1
844	796746	EYE SCREW	1
845	011935	6-HEAD NUT	1
846	010044	SHIM	1
847	023241	BONNET	3
848	011518	6-HEAD SCREW	1
849	010044	SHIM	2
850	025058	FUSE NUT	1
851	799429	799429	1
865	799430	799430	2
866	799431	799431	1
867	799432	799432	1
870	011530	6-HEAD SCREW	6
871	799433	799433	2
873	010044	SHIM	6
874	010056	SPRING RING	6
875	799434	799434	3
876	799435	SHIM	3
888	789327	789327	1
889	789327	789327	1

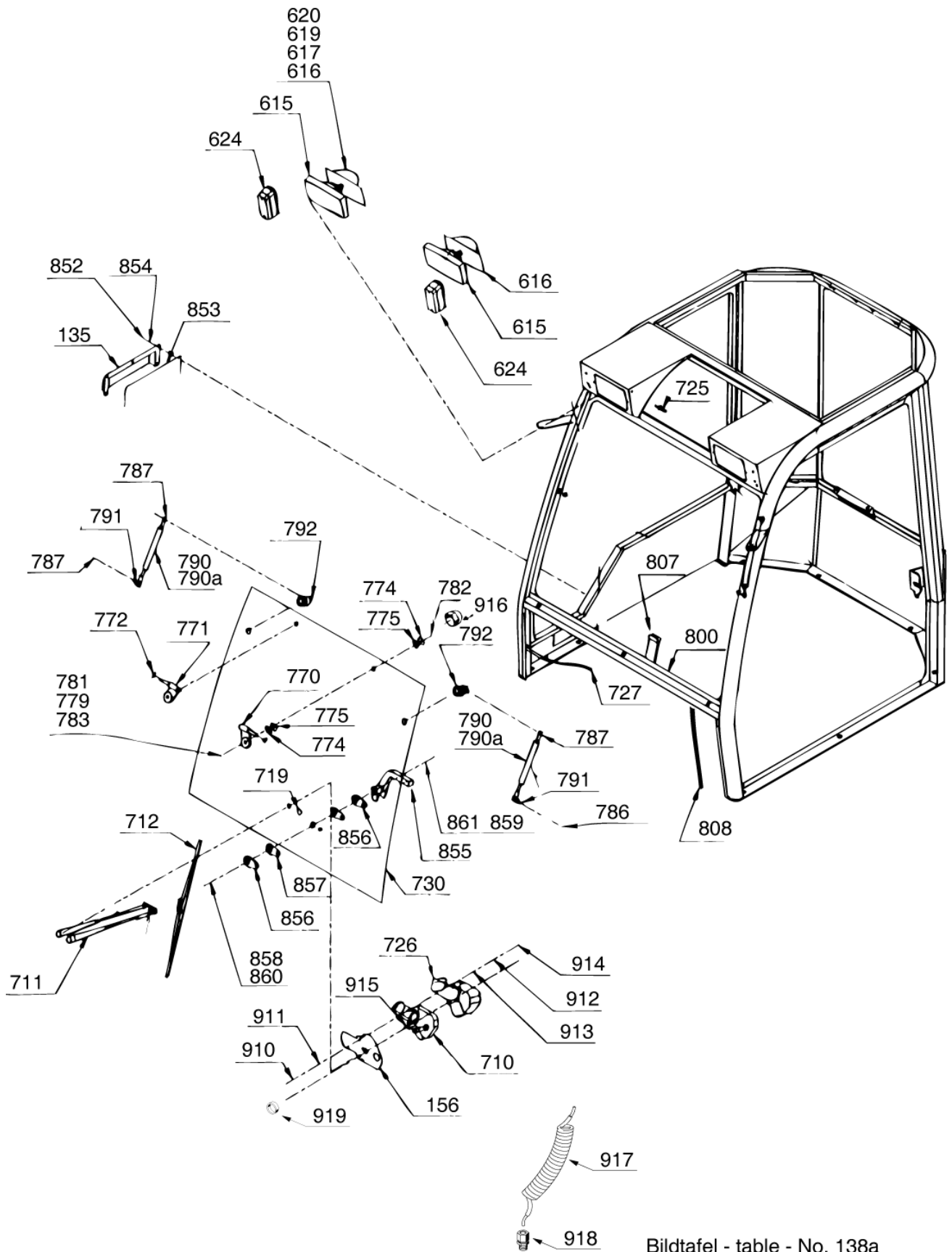


Bildtafel - table - No. 138a

Multi-digital-138a.ai

26.03.01

Item no.	Article no.	Description	Quantity
135	796433	COVER	2
156	796391	COVER PANEL	1
615	788929	HEAD LIGHT	2
616	788930	RUBBER PROTECTION	2
617	799436	PLUG	2
619	799437	799437	2
620	788929	HEAD LIGHT	2
624	788928	788928	2
710	796236	WIPER ENGINE	1
711	796345	WIPER ARM	1
712	788961	WIPER BLADE	1
719	796604	796604	1
725	796336	NOZZLE	1
726	796425	cover	1
727	799438	799438	1
730	796237	FRONT SCREEN	1
770	789161	HINGE	1
771	789162	HINGE	1
772	799439	799439	1
774	789294	SHIM	8
775	789295	SHIM	8
779	011520	6-HEAD SCREW	2
781	010044	SHIM	8
782	011935	6-HEAD NUT	4
783	023241	BONNET	9
786	010044	SHIM	2
787	796241	GAS SPRING HOLDER	2
790	796242	DOOR SCHOCK	2
790a	023574	SAFETY CATCH	2
791	012006	BALL CUP	2
792	796238	GAS SPRING HOLDER	2
800	789135	SEALING PROFILE	1
807	789136	789136	1
808	789136	789136	2
852	799440	799440	5
853	789326	RUBBER PRESSURE TAPE	1
854	799368	SHIM	5
855	788940	HAND GRIP	1
856	796322	796322	1
857	796393	796393	2
858	796350	796350	1
859	011685	6-HEAD NUT	1
860	796394	796394	1
861	799442	SHIM	1
910	799443	799443	2
911	796335	SHIM	2
912	011503	6-HEAD SCREW	2
913	799444	SHIM	2
914	799428	799428	2
915	011579	6-HEAD NUT	1
916	023241	BONNET	4

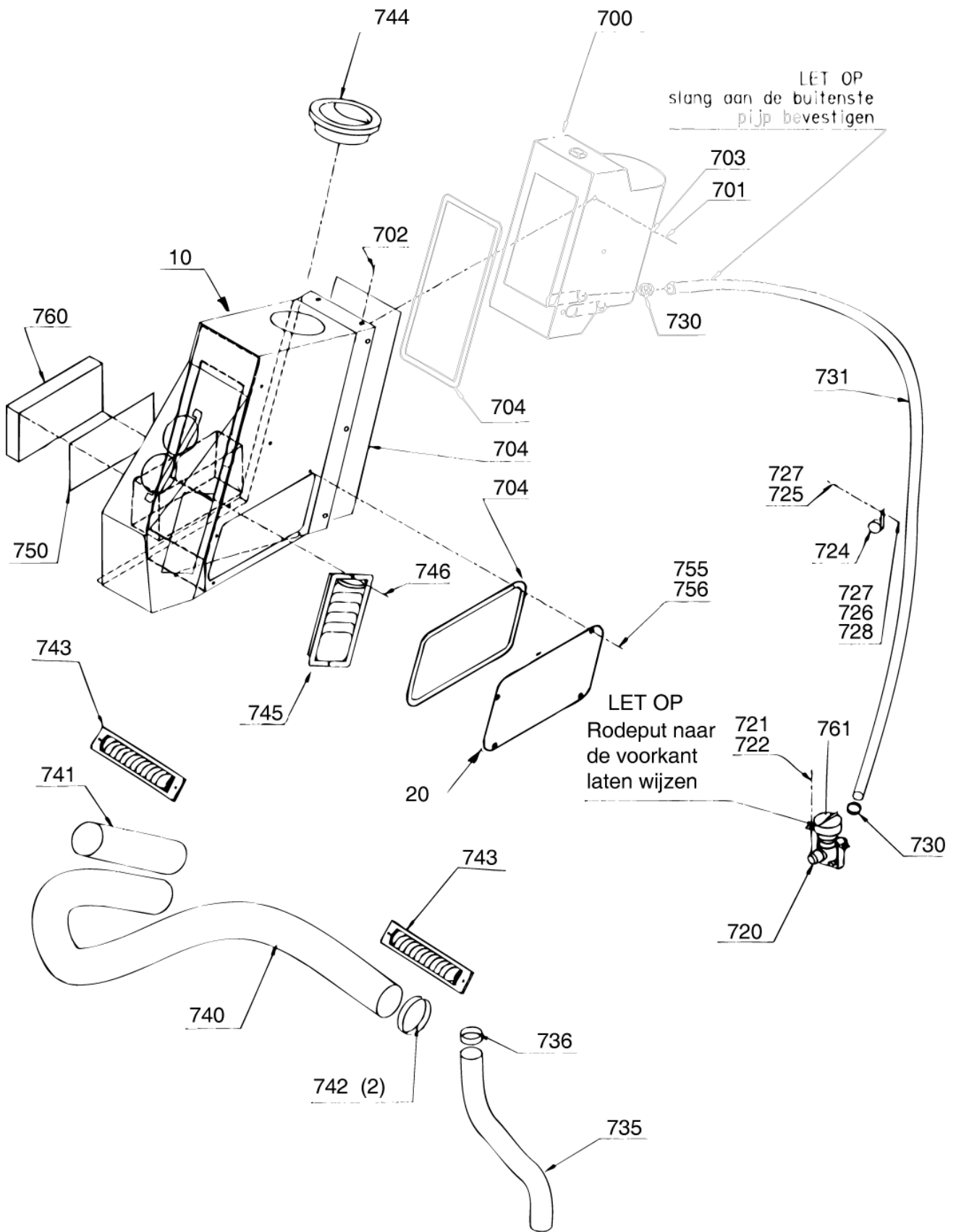


Bildtafel - table - No. 138a

Multi-digital-138a.ai

26.03.01

Item no.	Article no.	Description	Quantity
917	796602	SPIRAL ELECTRIC CABLE	1
918	796603	SPIRAL CABLE HOLDER	1
919	796604	796604	1

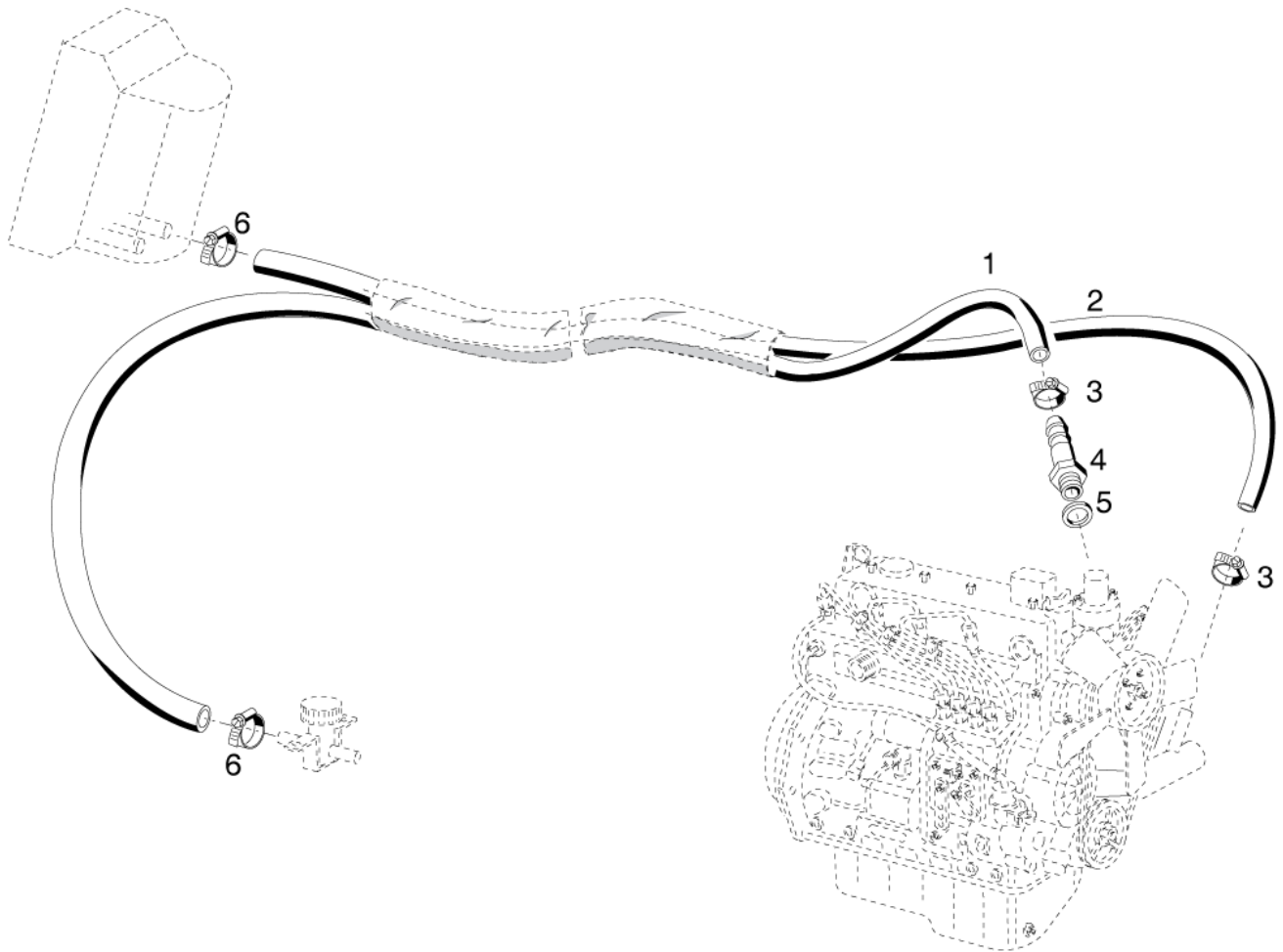


Bildtafel - table - No. 140

Multi-digital-140.ai

26.03.01

Item no.	Article no.	Description	Quantity
10	799485	799485	1
20	799486	799486	1
700	788899	HEATING	1
701	799369	799369	6
702	010460	LENS HEAD SCREW	5
703	010061	SPRING WASHER	11
704	789326	RUBBER PRESSURE TAPE	1
720	788903	heating valve	1
721	799447	799447	2
722	023292	SHIM	2
724	799448	799448	1
725	011503	6-HEAD SCREW	1
726	011139	SPRING RING	1
727	011749	SHIM	2
728	011577	6-HEAD NUT	1
730	788904	788904	2
731	796788	HOSE	1
735	799449	799449	1
736	799450	799450	1
740	791002	WARM AIR HOSE	1
741	791002	WARM AIR HOSE	1
742	799451	799451	2
743	788901	788901	2
744	788902	AIR NOZZLE	1
745	788900	AIR NOZZLE	1
746	799377	799377	2
750	789133	789133	1
755	025028	+PAN HEAD SHEET METAL SCREW	4
756	799453	799453	4
760	789370	789370	1
761	781547	SWITCH FOR AIR CONITIONAL VALUE	1

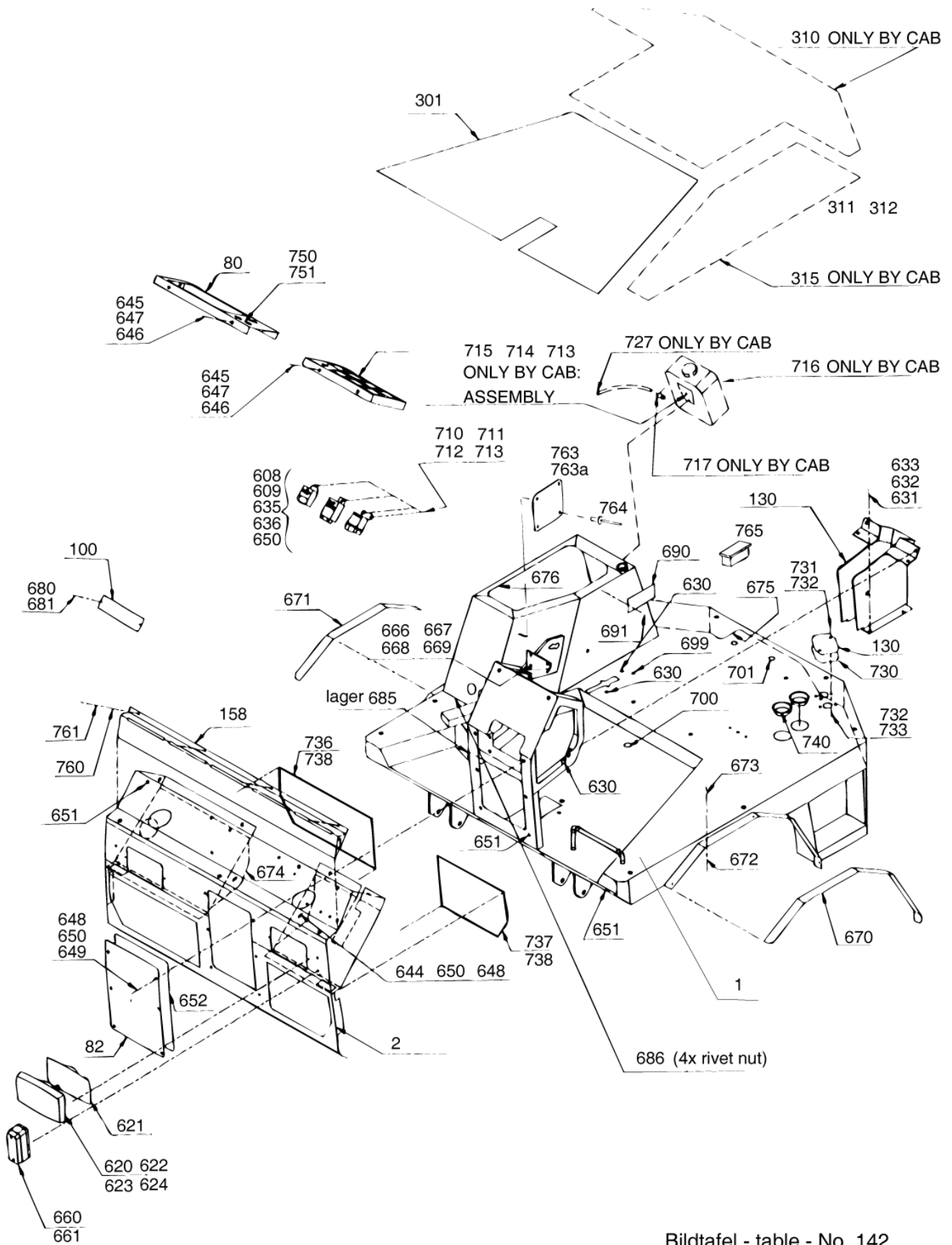


Bildtafel - table - No. 141

Multi-digital-141.ai

26.03.01

Item no.	Article no.	Description	Quantity
1	028914	HOT WATER HOSE	1
2	028822	HOT WATER HOSE	1
3	010909	HOSE CLAMP	2
4	027314	HOSE NOZZLE	1
5	014771	GASKET RING	1
6	010909	HOSE CLAMP	2

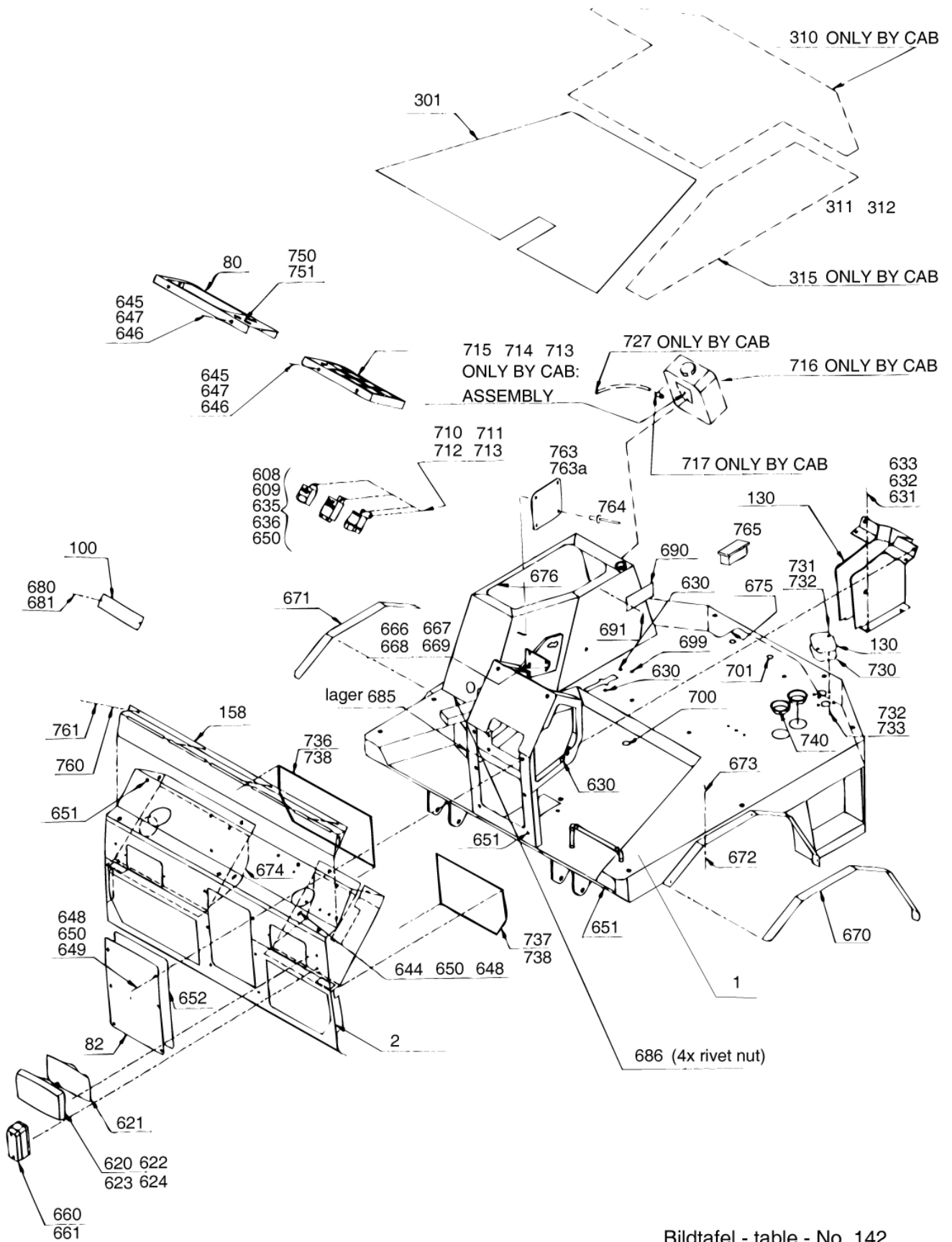


Bildtafel - table - No. 142

Multi-digital-142.ai

26.03.01

Item no.	Article no.	Description	Quantity
1	799454	799454	1
2	799455	FRONTPLATE	1
80	799456	COVER RIGHT	1
81	799457	COVER LEFT	1
82	799458	COVER PANEL	1
90	137344	RETROFIT SCOPE	1
100	799459	COVER PANEL	1
130	799460	799460	1
158	137181	AIR DIFFUSER	1
158a	029190	029190	1
301	798439	FLOOR MAT	1
310	799461	799461	1
311	799462	799462	1
312	799462	799462	1
315	799464	799464	1
608	799465	799465	1
609	799466	799466	1
620	788929	HEAD LIGHT	2
621	799467	799467	2
622	799437	799437	2
623	799469	799469	2
624	799436	PLUG	2
630	799471	799471	8
631	799472	799472	8
632	011514	6-HEAD SCREW	8
633	011140	SPRING RING	8
635	799473	799473	1
636	799474	799474	1
644	799475	SHIM	6
645	796782	SEALING CAP	8
646	799476	SHIM	8
647	799477	799477	14
648	799478	799478	8
649	799444	SHIM	22
650	011139	SPRING RING	22
651	799376	799376	22
652	789326	RUBBER PRESSURE TAPE	1
660	788928	788928	2
661	799481	799481	2
666	799472	799472	2
667	011935	6-HEAD NUT	1
668	011609	STUD SCREW	1
669	799483	799483	1
670	796430	796430	1
671	796430	796430	1
672	010464	SHIM	9
673	799487	799487	9
675	789134	789134	1
676	789135	SEALING PROFILE	1
680	799488	799488	4
681	799489	SEALING CAP	4

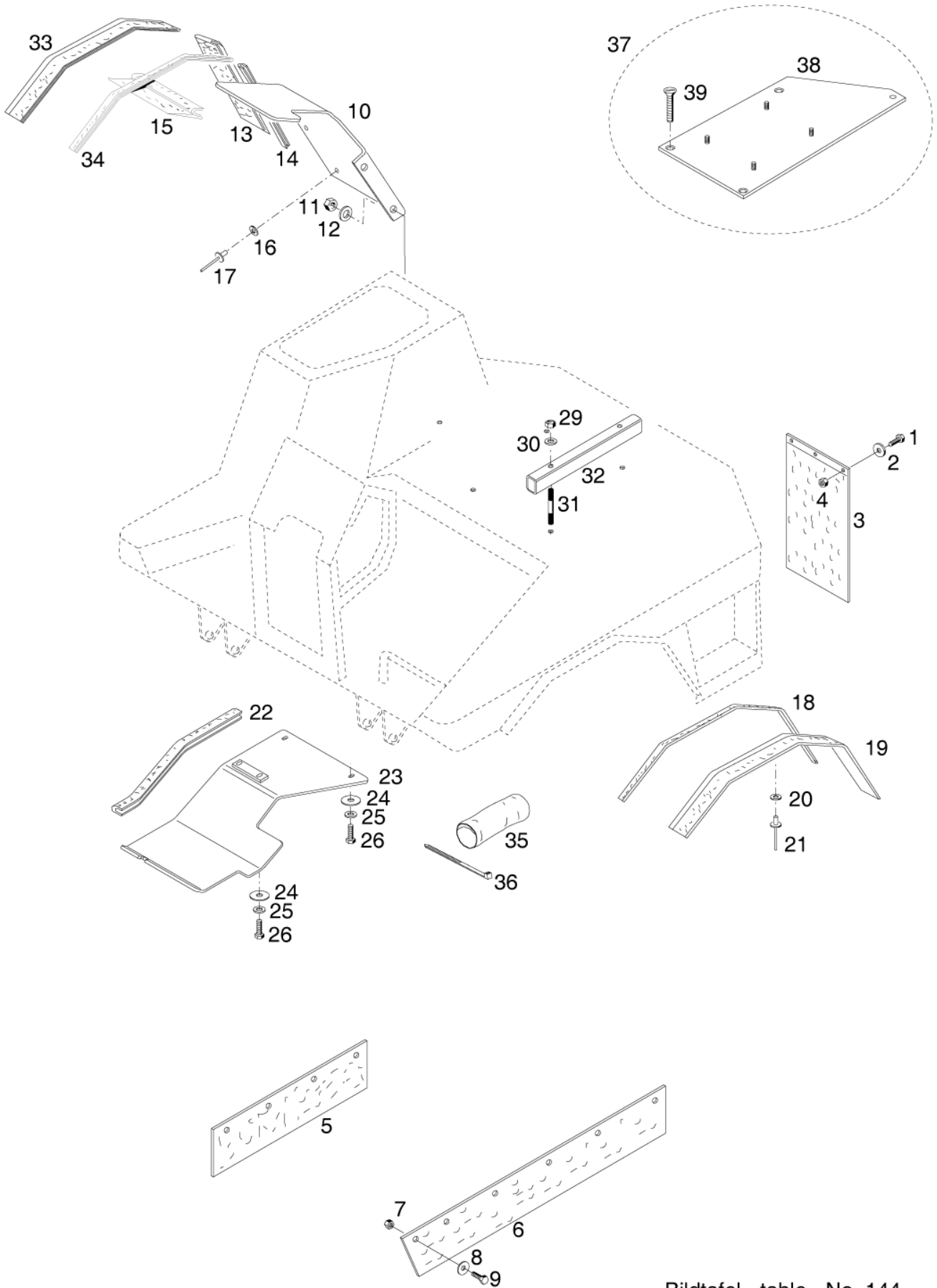


Bildtafel - table - No. 142

Multi-digital-142.ai

26.03.01

Item no.	Article no.	Description	Quantity
685	797237	SLEEVE	2
686	799490	799490	4
690	799491	799491	1
691	799430	799430	2
699	014775	GROMMET	2
700	799493	799493	1
701	799494	799494	1
710	799495	HEX SCREW	4
711	799444	SHIM	8
712	011683	6-HEAD NUT	4
713	790784	790784	4
714	799497	SHIM	2
715	799498	799498	2
716	788962	tank for washer	1
717	796444	NONRETURN VALVE	1
727	799438	799438	1
730	799500	RUBBER	1
731	799478	799478	2
732	010887	SHIM	4
733	011683	6-HEAD NUT	2
736	786497	FRONT GLASS RIGHT	1
737	786496	FRONT GLASS LEFT	1
738	028262	SEALING COMPOUND	1
740	024271	PLASTIC PLUG	2
750	796603	SPIRAL CABLE HOLDER	1
751	799502	SHIM	1
760	028910	SCREW	5
761	028911	PLASTIC CAP	5
763	135820	NAME PLATE	1
763a	135821	+NAME PLATE	1
764	016638	BLANK RIVET	4
765	021859	SQUARE PLUG	1



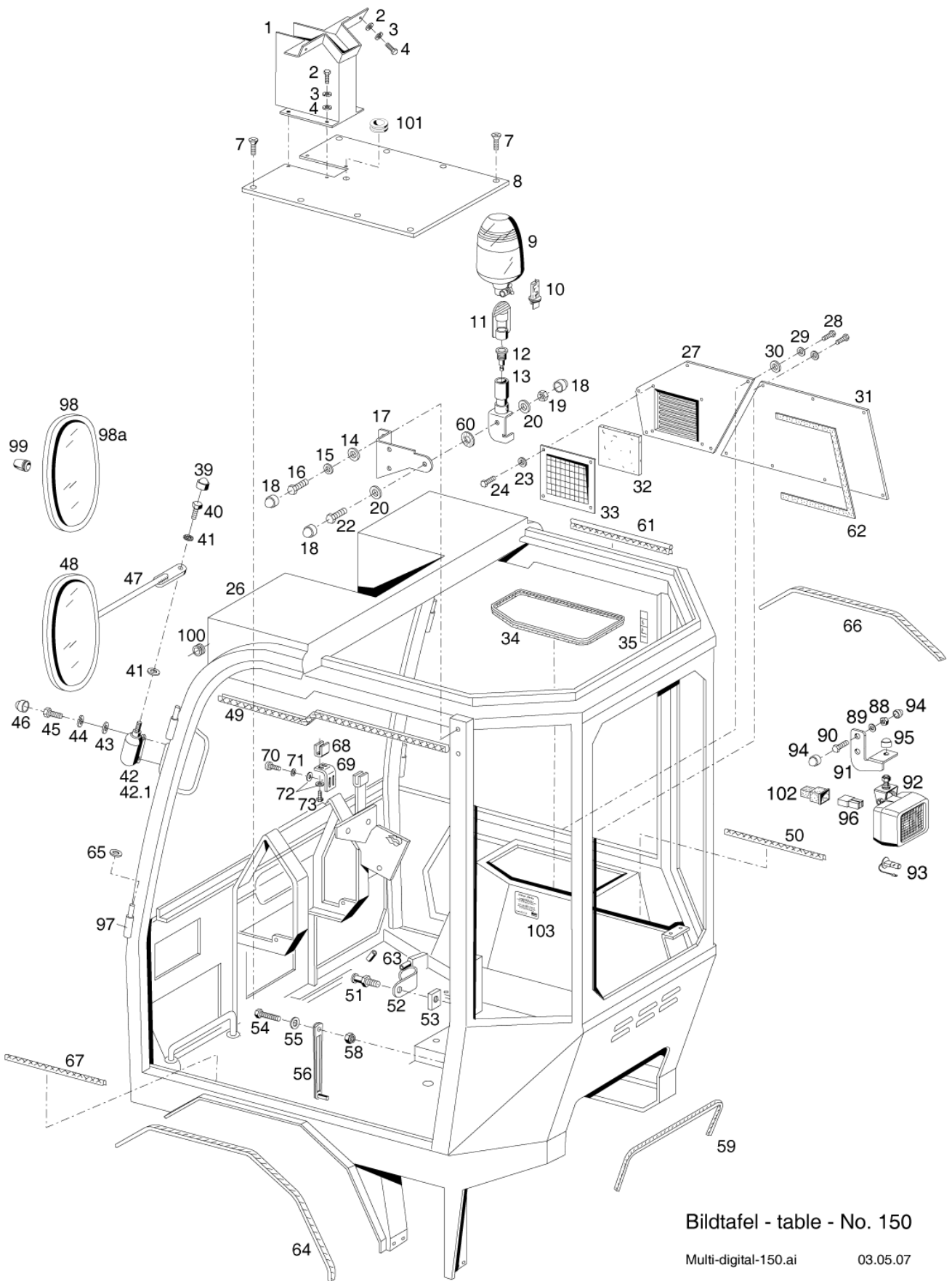
Bildtafel - table - No. 144

Multi-digital-144.ai

29.05.02

Item no.	Article no.	Description	Quantity
1	011503	6-HEAD SCREW	6
2	010464	SHIM	3
3	135435	DIRT TRAP	2
4	011683	6-HEAD NUT	6
5	136284	SPRAY PLAPS RIGHT	1
6	136285	SPRAY PLAPS LEFT	1
7	011683	6-HEAD NUT	9
8	010464	SHIM	9
9	011503	6-HEAD SCREW	9
10	135813	FENDER RIGHT	1
11	011579	6-HEAD NUT	2
12	010063	SPRING WASHER	2
13	135814	FENDER EXTENSIONS	1
14	028866	EDGE PROTECTION	1
15	028916	SEALING PROFILE	1
16	023819	SHIM	2
17	016638	BLANK RIVET	2
18	028866	EDGE PROTECTION	1
19	110013	FENDER EXTENSION	1
20	023819	SHIM	8
21	016638	BLANK RIVET	8
22	028915	EDGE PROTECTION	1
23	136126	FENDER PLATE	1
24	010464	SHIM	4
25	011742	SPRING WASHER	4
26	011158	6-HEAD SCREW	4
29	011935	6-HEAD NUT	4
30	010063	SPRING WASHER	4
31	029360	+ STUD BOLT	4
32	137650	SPACER DISC	2
33	796430	796430	1
34	028866	EDGE PROTECTION	1
35	139399	INDUSTRIAL HOSE	1
36	027250	CABLE BAND	2
37	143277	+ADAPTER PLATE COMPL.(SEAT C200)	1
38	138662	ADAPTER PLATE	1
39	030113	+COUNTERSUNK SCREW	3

Item no.	Article no.	Description	Quantity
1150	800806	KBF CABIN, FRAME, MIRROR, WORKING SPOTLIGHT, C200	1
1160	800807	KFB CABIN, TILL 202 001 855, WINDSHIELD; WINDSHIELD WIPERS	1
1170	800808	KFB CABIN AS OF 202 001 856, WINDSHIELD; WINDSHIELD WIPERS	1
1180	800809	CABIN KFB, STEERING COVER, COVERING, ELECTRONIC BOX	1
1190	800810	KFB CABIN, ROOF, HEATING, WATER TANK, RADIO	1
1200	800811	KFB CABIN, DOORS, REAR WINDOW	1
1210	800812	KFB CABIN, HEATER HOSE, C200	1
1220	800813	KFB CABIN, DIRT TRAP, C200	1
1230	800814	AIR CONDITIONING, COMPRESSOR, HOSE, TILL 02/08	1
1240	800815	800815	1
1250	800816	AIR CONDITIONING, BLOWER, EVAPORATOR, CONDENSER	1

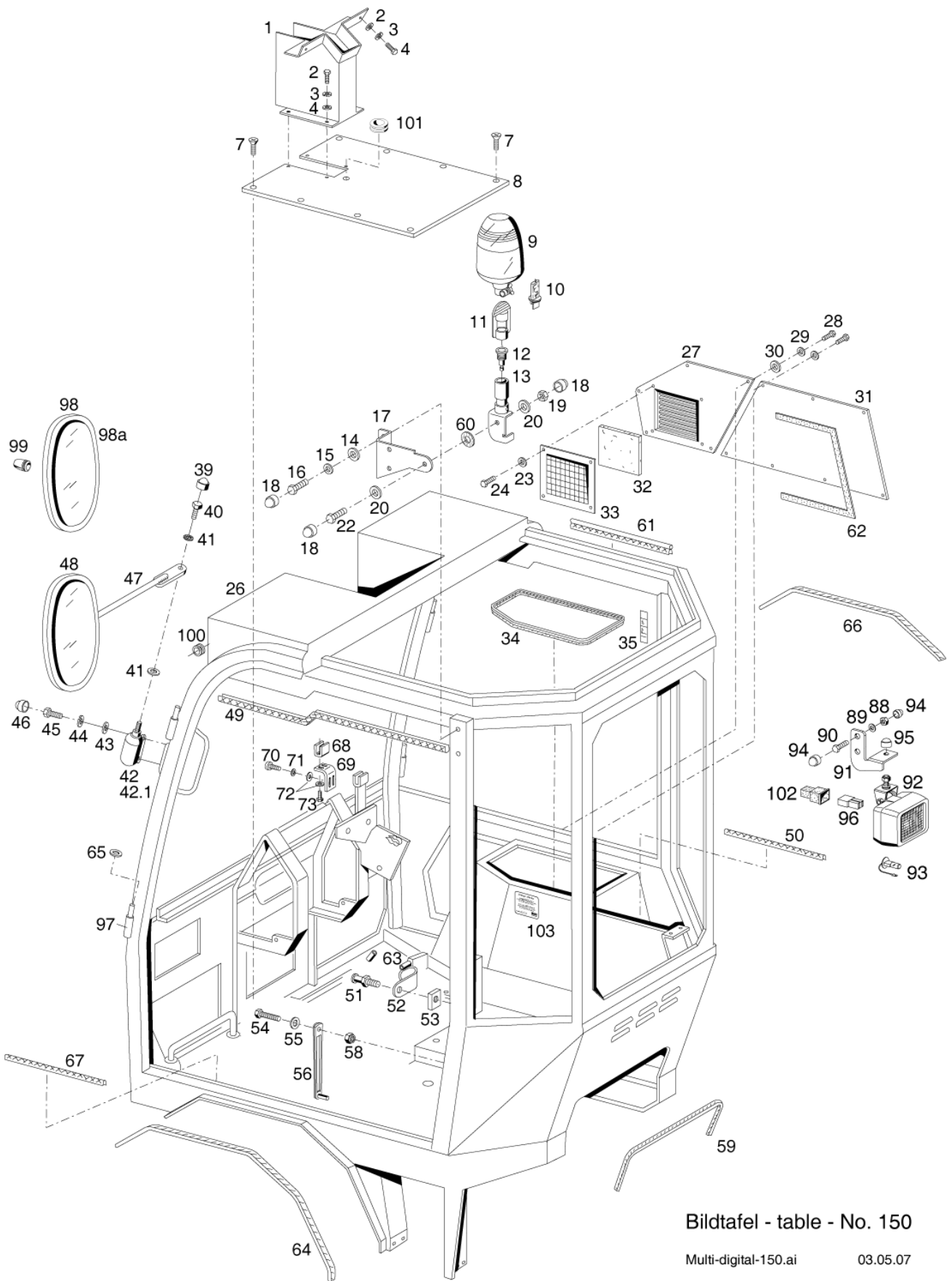


Bildtafel - table - No. 150

Multi-digital-150.ai

03.05.07

Item no.	Article no.	Description	Quantity
1	799564	CABLE CHANNEL	1
2	010044	SHIM	8
3	011140	SPRING RING	8
4	011514	6-HEAD SCREW	8
7	028256	COUNTERSUNK SCREW	8
8	799565	COVER	1
8.1	027888	Rotating beacon	1
9	027952	LIGHTING HOOD YELLOW WITH OPTICS	1
10	025426	BULB FOR MOTOR VEHICLE	1
11	792056	RUBBER PROTECTION CAP	1
12	791606	PLUG FOR ROTATING BEACON	1
13	796993	RKL-HOLDER	1
14	010044	SHIM	2
15	011140	SPRING RING	2
16	011514	6-HEAD SCREW	2
17	797630	FIXING	1
18	023241	BONNET	4
19	011935	6-HEAD NUT	1
20	010044	SHIM	2
22	011514	6-HEAD SCREW	1
24	799566	799566	4
26	799567	799567	1
27	797311	CAP	1
28	013913	SLOTHEAD SCREW	12
29	011138	SPRING RING	12
30	023292	SHIM	12
31	798033	COVER	1
32	796996	FILTER MAT	1
33	797502	FILTER METAL SHEET	1
34	799568	799568	1
35	799569	799569	1
39	023241	BONNET	2
40	011509	6-HEAD SCREW	2
41	010327	TOOTHED LOCK WASHER	4
42	796919	FIXTURE	1
42.1	796920	GRID HOLDER RIGHT	1
43	010044	SHIM	4
44	011140	SPRING RING	4
45	011509	6-HEAD SCREW	4
46	023241	BONNET	4
47	796839	MIRROR MOUNTING	2
48	791247	MIRROR	2
49	018816	EDGE PROTECTION	2
50	018816	EDGE PROTECTION	1
51	796984	COTTER BOLT	2
52	796983	DEFLECTOR BAR	2
53	797520	THREADED PLATE	2
54	011517	6-HEAD SCREW	2
55	010044	SHIM	2
56	796961	CLEARANCE HOLDER	1
58	011935	6-HEAD NUT	2

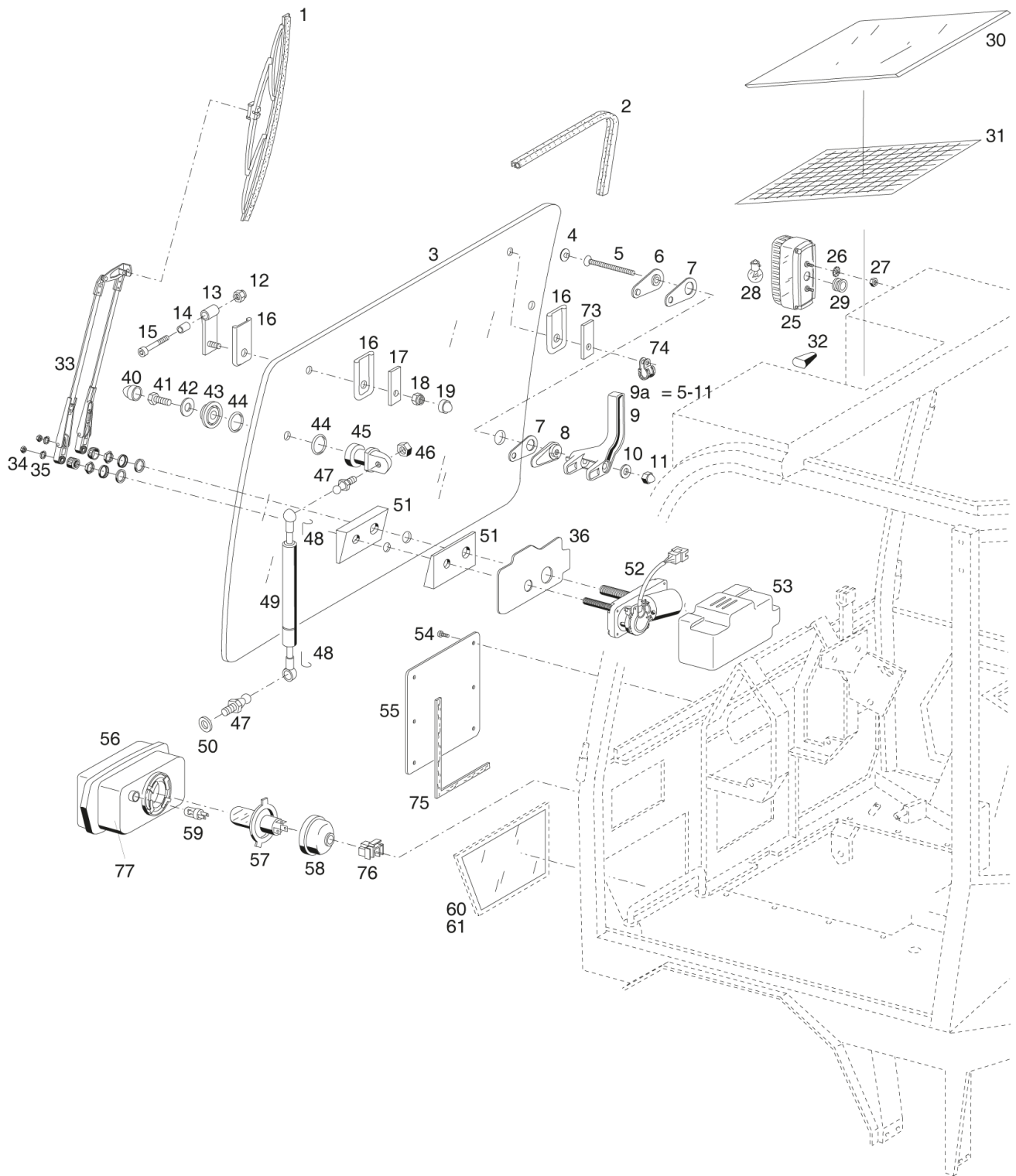


Bildtafel - table - No. 150

Multi-digital-150.ai

03.05.07

Item no.	Article no.	Description	Quantity
59	018816	EDGE PROTECTION	1
60	799008	SHIM	1
61	799570	799570	1
62	797526	SEAL TAPE	1
63	799571	799571	1
64	028866	EDGE PROTECTION	1
65	797915	SHIM	1
66	028866	EDGE PROTECTION	1
67	018816	EDGE PROTECTION	1
68	796991	LIMIT STOP	1
69	796992	ANGLE	1
70	795912	LENS HEAD SCREW	2
71	011139	SPRING RING	2
72	011749	SHIM	2
73	011502	6-HEAD SCREW	2
80	143052	WORKING SPOTLIGHT REAR	1
88	011579	6-HEAD NUT	2
89	010063	SPRING WASHER	2
90	011511	6-HEAD SCREW	2
91	139803	HOLDER	1
92	023683	WORKING SPOTLIGHT	1
93	030074	BULB FOR MOTOR VEHICLE	1
94	023241	BONNET	4
95	027089	BONNET	1
96	030570	RECEPTACLE HOUSING 2-POLE	1
97	797145	WELD ROLL BAND	4
97.1	134597	EQUIPMENT HEATABLE EXTERIOR MIRROR	2
98	134598	+HEATABLE OUTSIDE MIRROR	2
98a	141334	EXTERIOR MIRROR HEATABLE	2
99	028462	+GROMMET F. HEATABLE OUTSIDE MIRROR	2
100	014775	GROMMET	2
101	031129	NOZZLE BORE.21	1
102	030819	RUBBER CAP	1
103	031428	NOTICE STICKER	1

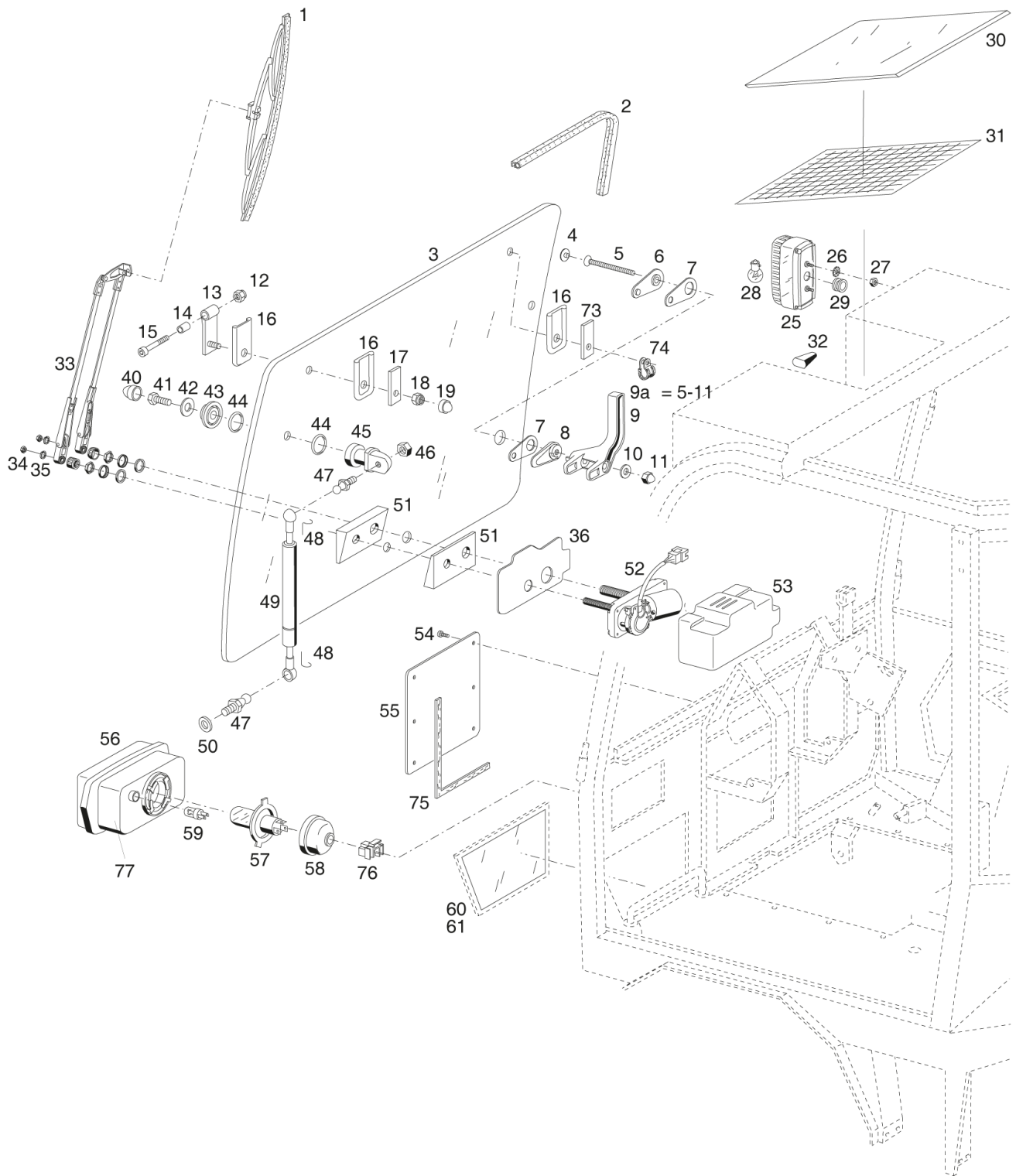


Bildtafel - table - No. 152

Multi-digital-152.ai

16.12.2015

Item no.	Article no.	Description	Quantity
1	796871	WIPER BLADE	1
2	790772	CLAMPING PROFILE	3,5
3	796833	WINDSHIELD	1
4	790320	GASKET KIT	1
5	789425	COUNTERSUNK SCREW	1
6	791317	SHIM	1
7	791315	BASE	2
8	791316	SHIM	1
9	791318	TOGGLE	1
9a	801833	801833	1
10	010046	SHIM	1
11	789430	CAP NUT	1
12	011935	6-HEAD NUT	2
13	790132	HINGE	2
14	790554	BUSH	2
15	011867	INNER-6-HEAD SCREW	2
16	791319	HINGE SUPPORT	4
17	790123	PLATE	1
18	011935	6-HEAD NUT	2
19	023241	BONNET	2
25	797012	TURN SIGNAL	2
26	010061	SPRING WASHER	4
27	011576	6-HEAD NUT	4
28	012032	BULB FOR MOTOR VEHICLE	2
29	014775	GROMMET	2
30	797733	ROOF WINDOW COLOURED	1
31	798426	SUN PROTECTION	1
32	797075	SPRAYING NOZZLE	1
33	796845	WIPER LEVER	1
34	011579	6-HEAD NUT	2
35	011140	SPRING RING	2
36	797126	COVER	1
40	023241	BONNET	2
41	011511	6-HEAD SCREW	2
42	012537	SHIM	2
43	790780	SHIM	2
44	790781	790781	4
45	790779	HOLDER	2
46	011579	6-HEAD NUT	2
47	025892	BALL PIVOT	4
48	023574	SAFETY CATCH	4
49	796915	gas spring	2
50	790353	LOCKING TAB	2
51	796960	SPACER PLATE	2
52	796836	+WASHER SYSTEM C200	1
53	796990	COVER	1
54	013913	SLOTHEAD SCREW	6
55	797036	CAP	1
56	796876	HEAD LIGHT WITH POSITION LIGHT	4
57	025816	BULB FOR MOTOR VEHICLE	4
58	798079	DUST COVER RED	4

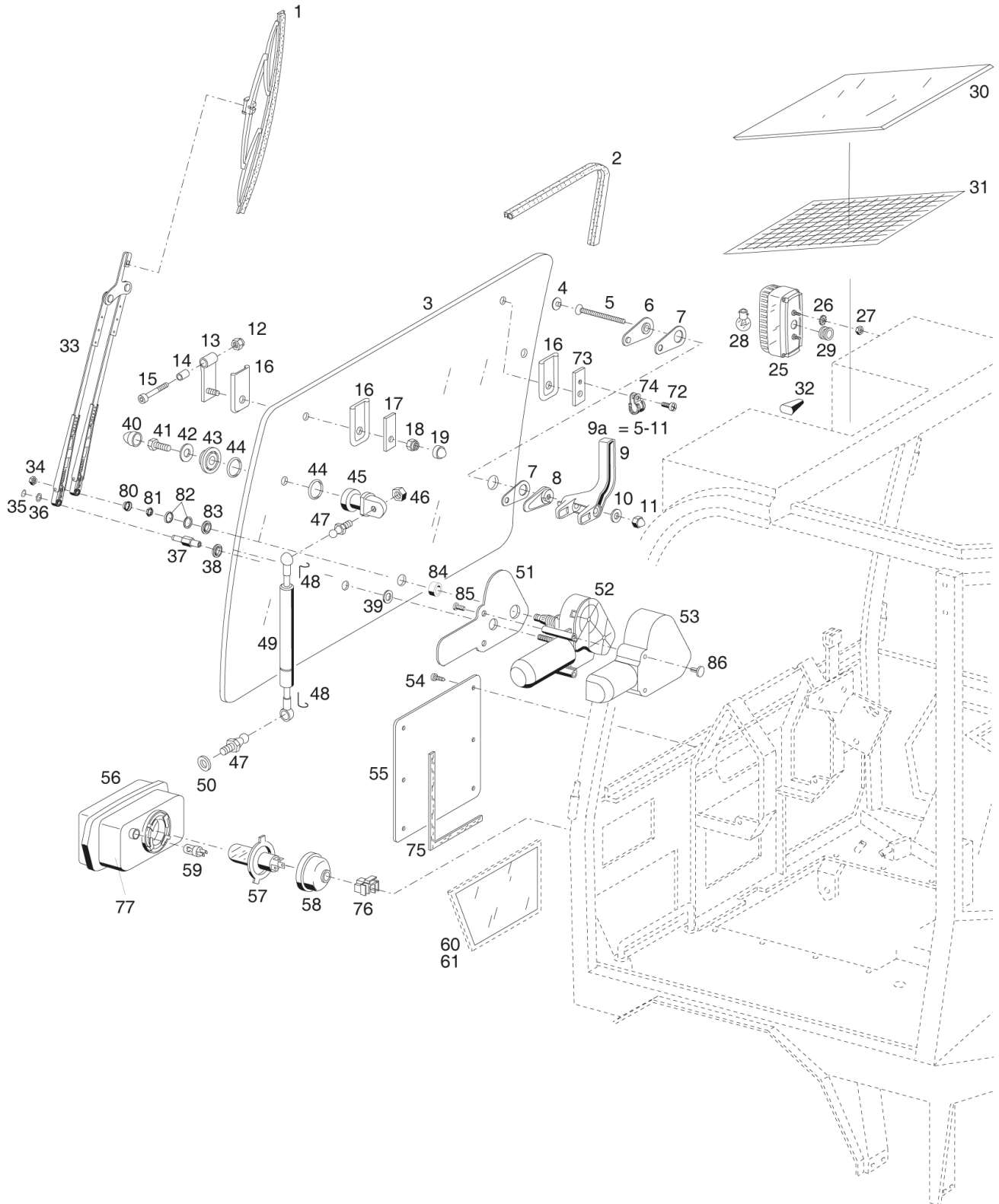


Bildtafel - table - No. 152

Multi-digital-152.ai

16.12.2015

Item no.	Article no.	Description	Quantity
59	029230	029230	4
60	797077	STEM DISC LEFT	1
61	796982	STEM WINDOW RIGHT	1
73	797993	HINGE SUPPORT C300	1
74	799572	799572	1
75	797526	SEAL TAPE	1
76	797783	RECEPTACLE HOUSING	4
77	797016	RUBBER HOUSING	1

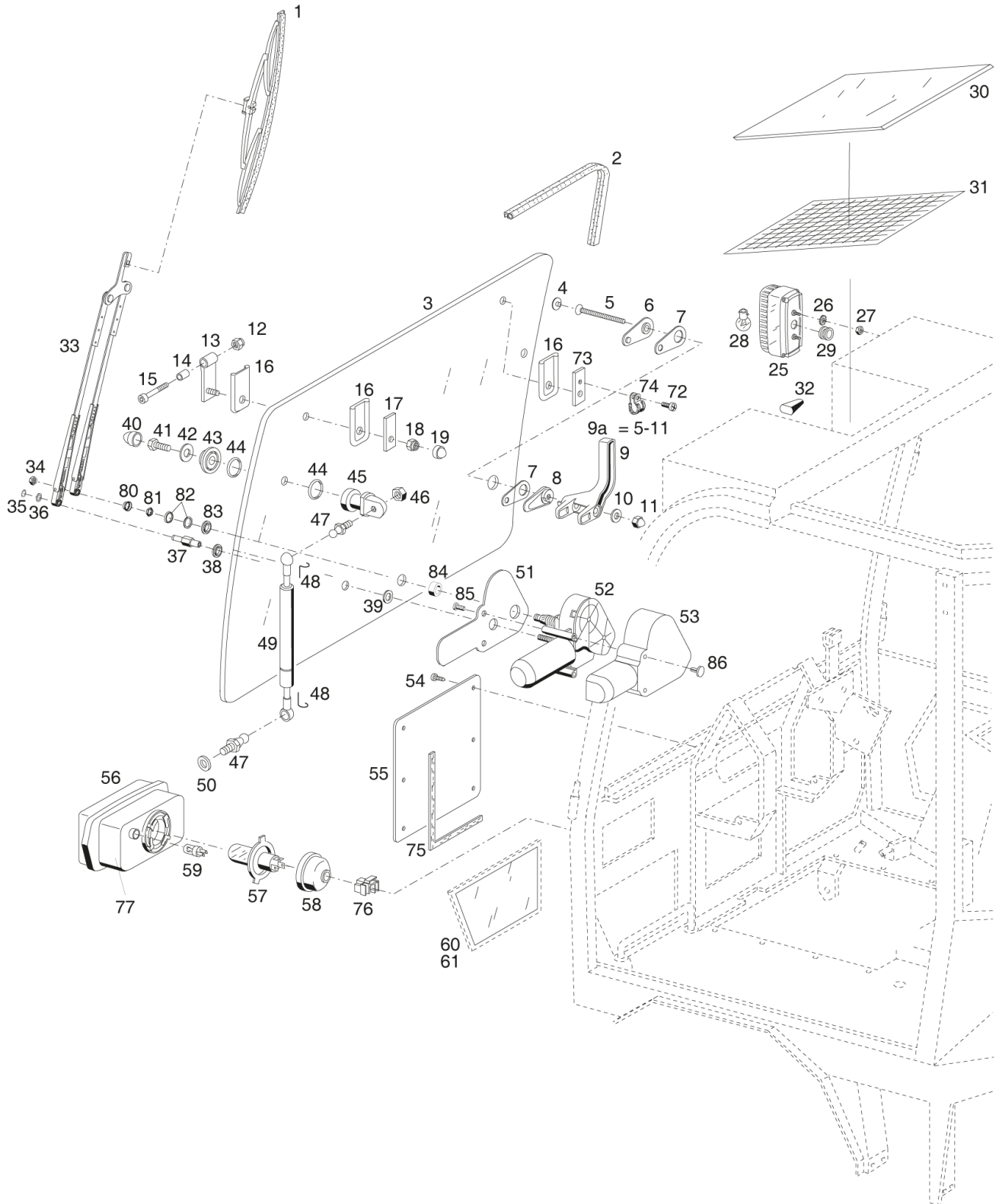


Bildtafel - table - No. 152a

Multi-digital-152a.ai

16.12.2015

Item no.	Article no.	Description	Quantity
1	797460	WIPER BLADE	1
2	790772	CLAMPING PROFILE	3,5
3	797456	TILTING GLASS	1
4	791320	PLUG	1
5	789425	COUNTERSUNK SCREW	1
6	791317	SHIM	1
7	791315	BASE	2
8	791316	SHIM	1
9	791318	TOGGLE	1
9a	801833	801833	1
10	010046	SHIM	1
11	789430	CAP NUT	1
12	011935	6-HEAD NUT	2
13	790132	HINGE	2
14	790554	BUSH	2
15	011867	INNER-6-HEAD SCREW	2
16	791319	HINGE SUPPORT	4
17	790123	PLATE	1
18	011935	6-HEAD NUT	2
19	023241	BONNET	2
25	797012	TURN SIGNAL	2
26	010061	SPRING WASHER	4
27	011576	6-HEAD NUT	4
28	012032	BULB FOR MOTOR VEHICLE	2
29	014775	GROMMET	2
30	797733	ROOF WINDOW COLOURED	1
31	798426	SUN PROTECTION	1
32	797075	SPRAYING NOZZLE	1
33	797459	PARALLEL WIPER ARM ADJUSTABLE	1
34	011683	6-HEAD NUT	1
35	023352	CIRCLIP	1
36	010085	SHIM	1
37	799573	799573	1
38	798139	GUIDING DISC HIGH	1
39	798138	GUIDING DISC LOW	1
40	023241	BONNET	2
41	011511	6-HEAD SCREW	2
42	012537	SHIM	2
43	790780	SHIM	2
44	790781	790781	4
45	790779	HOLDER	2
46	011579	6-HEAD NUT	2
47	025892	BALL PIVOT	4
48	023574	SAFETY CATCH	4
49	796915	gas spring	2
50	790353	LOCKING TAB	2
51	797463	COVER FOR WINDSCREEN WIPER MOTOR	1
52	797457	WIPER MOTOR	1
53	797458	WIPER MOTOR COVER	1
54	013913	SLOTHEAD SCREW	6
55	797036	CAP	1

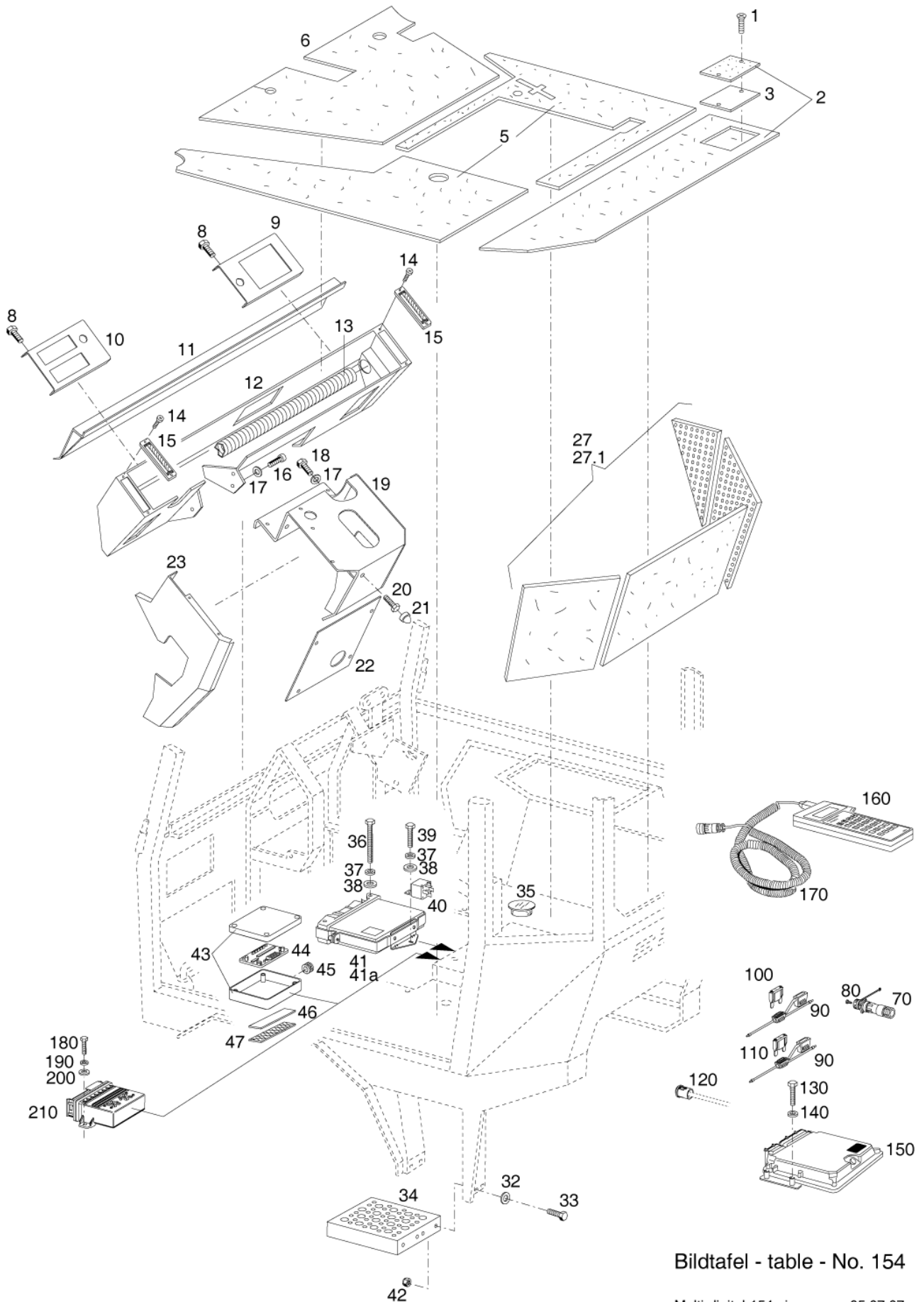


Bildtafel - table - No. 152a

Multi-digital-152a.ai

16.12.2015

Item no.	Article no.	Description	Quantity
56	796876	HEAD LIGHT WITH POSITION LIGHT	4
57	025816	BULB FOR MOTOR VEHICLE	4
58	798079	DUST COVER RED	4
59	029230	029230	4
60	797077	STEM DISC LEFT	1
61	796982	STEM WINDOW RIGHT	1
72	010453	SLOTHEAD SCREW	1
73	797993	HINGE SUPPORT C300	1
74	799572	799572	1
75	797526	SEAL TAPE	1
76	797783	RECEPTACLE HOUSING	4
77	797016	RUBBER HOUSING	1
80	798427	COVER	1
81	798140	NUT	1
82	798137	SHIM	2
83	798136	GUIDING DISC	1
84	798135	SPACER SLEEVE	1
85	011728	CYLINDER SCREW	2
86	798952	CLIP	2

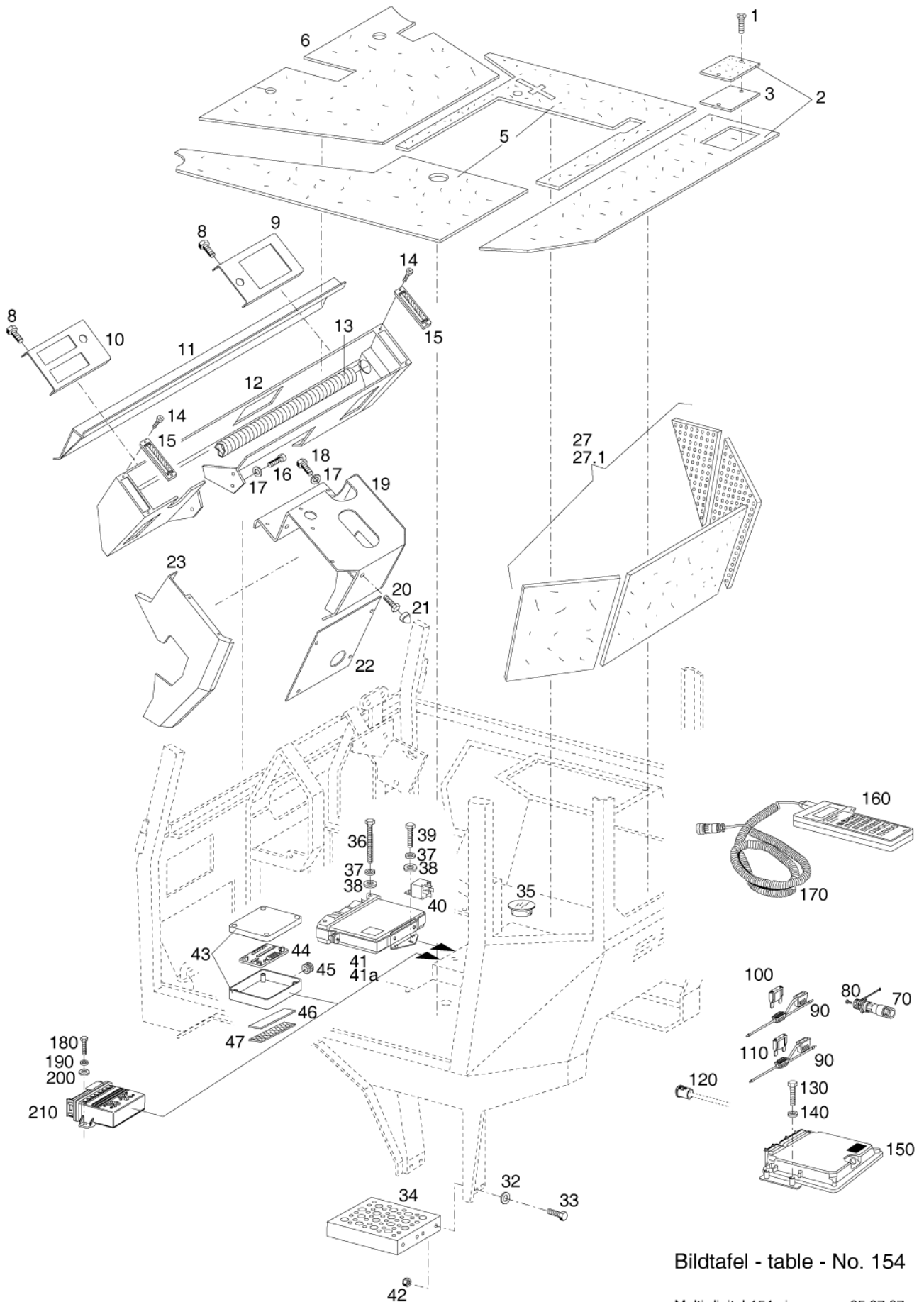


Bildtafel - table - No. 154

Multi-digital-154.ai

05.07.07

Item no.	Article no.	Description	Quantity
1	011201	011201	1
2	797953	FLOOR MAT	1
3	799575	799575	1
5	797954	FLOOR MAT	1
6	797156	FLOOR MAT	1
8	795911	SLOTHEAD SCREW	8
9	799576	DASH BOARD	1
10	798751	DASH BOARD LEFT	1
11	797888	DISCHARGE CHANNEL	1
12	799577	INSTRUMENT PANEL	1
13	799578	799578	1
14	799579	799579	6
15	131664	SPINDLE NOZZLE	3
16	795912	LENS HEAD SCREW	4
17	010464	SHIM	4
18	795911	SLOTHEAD SCREW	4
19	799580	STEERING COVER	1
20	028910	SCREW	10
21	028911	PLASTIC CAP	10
22	799581	BACK BOARD	1
23	799582	HOLE WALL	1
27	798430	FOAMED PLASTIC	1
27.1	798431	IMITATION LEATER FABRIC	1
32	012537	SHIM	4
33	011511	6-HEAD SCREW	4
34	797035	ASCENT STEP	1
35	799583	799583	2
36	022975	6-HEAD SCREW	2
37	011742	SPRING WASHER	3
38	010464	SHIM	3
39	011158	6-HEAD SCREW	1
40	027135	CHANGEOVER RELAIS WITHOUT EXTINGUISHING DIODE	1
41	137984	ELECTRONIC BOX CPL.	1
41a	145763	ELECTRONIC BOX	1
42	011935	6-HEAD NUT	4
43	145224	HOUSING	1
44	145187	PROPORTIONAL AMPLIFIER	1
45	014780	GROMMET	1
46	029265	FLEECE STRAP	2
47	027074	CHAINING BAND	2
70	799584	DIAGNOSTIC PLUG	1
80	010450	FILISTER SHEET METALL SCREW	2
90	031315	FUSE HOLDER WITH COVER	2
100	030126	FLAT BLADE FUSE	1
110	026049	FLAT BLADE FUSE	1
120	031330	ERROR LAMP	1
130	011888	Screw	2
140	011742	SPRING WASHER	2
150	148283	-ELECTRONICS BOX COMPL. C245/345	1
150.1	140352	BODEM 24 with USB CONNECTION	1
150.2	140353	BODEM PC CONNECTION CABLE	1



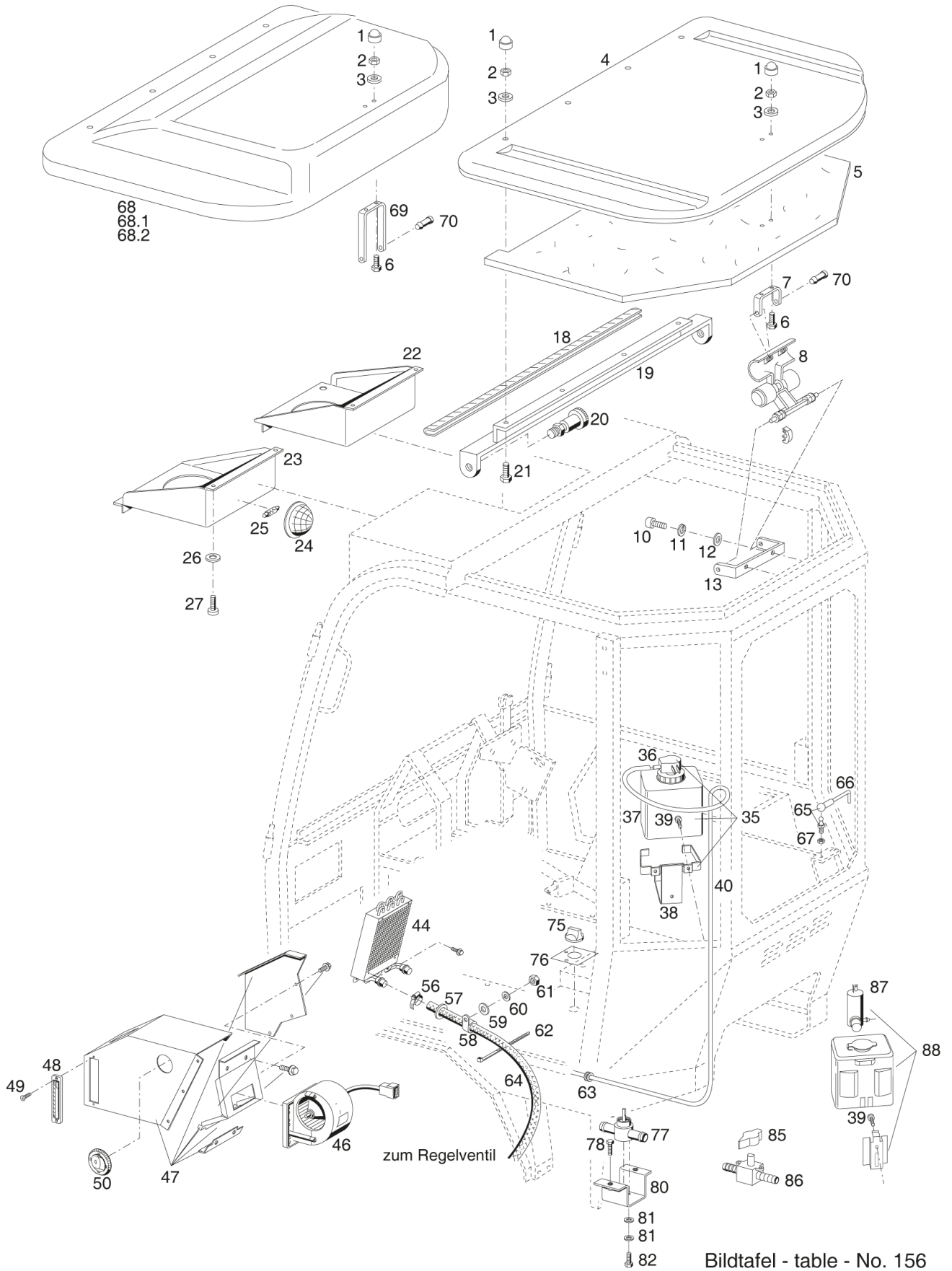
Bildtafel - table - No. 154

Multi-digital-154.ai

05.07.07

Item no.	Article no.	Description	Quantity
160	138349	ELECTRONIC BOX	1
170	138350	CONNECTING CABLE	1
180	011158	6-HEAD SCREW	2
190	011742	SPRING WASHER	2
200	010464	SHIM	2
210	150486	ANALOG AMPLIFIER	1

67.1 =1-3, 18-21, 68 u. 69



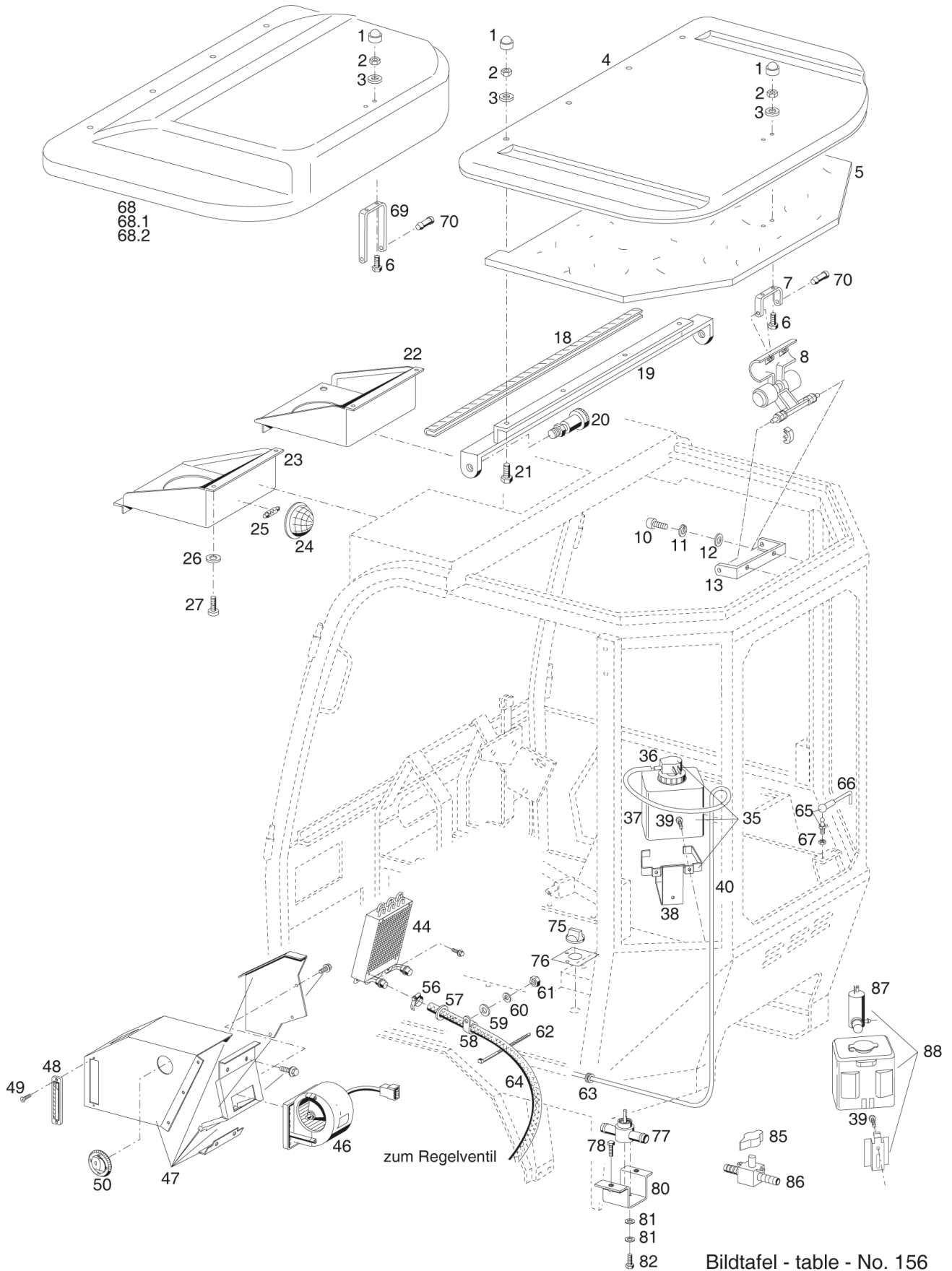
Bildtafel - table - No. 156

Multi-digital-156.ai

17.08.2016

Item no.	Article no.	Description	Quantity
1	131941	BONNET	6
2	011683	6-HEAD NUT	6
3	790811	SHIM	6
4	796964	SUN ROOF	1
5	797090	ROOF INSULATION	1
6	011159	6-HEAD SCREW	2
7	797046	HOLDER	1
8	791335	HANDLE	1
10	011159	6-HEAD SCREW	2
11	011139	SPRING RING	2
12	010464	SHIM	2
13	790127	STIRRUP	1
18	028866	EDGE PROTECTION	1
19	796940	Z-PROFILE	1
20	796962	DETENT PIN	2
21	011159	6-HEAD SCREW	4
22	797287	ROOF BOX RIGHT	1
23	797302	ROOF BOX LEFT	1
24	797570	INTERIOR LIGHT	1
25	012028	BULB FOR MOTOR VEHICLE	1
26	790432	Protection screen	8
27	790327	Lenticular plate screw	8
35	791136	WATER TANK	1
36	103283	103283	1
37	197306	197306	1
38	790988	790988	1
39	010451	FILISTER SHEET METALL SCREW	2
40	799586	799586	1
44	796914	HEAT EXCHANGER	1
46	796913	BLOWER	1
47	798646	FAN	1
48	131664	SPINDLE NOZZLE	1
49	799579	799579	1
50	797131	ROUND NOZZLE	1
56	799602	799602	1
57	799603	799603	2
58	799604	799604	1
59	010886	SHIM	1
60	011139	SPRING RING	1
61	011577	6-HEAD NUT	1
62	027249	CABLE BAND	4
63	799587	799587	1
64	799588	799588	1
65	797088	ANGLE JOINT	1
66	797087	BRACKET	1
67	011579	6-HEAD NUT	1
67.1	142190	HIGH ROOF	1
68	799589	HIGH ROOF	1
68.1	796941	+FOAM MATERIAL C200	1
68.2	796942	+SYNTHETIC LEATHER COVER C200	1
69	798068	HOLDER FOR HIGH ROOF	1

67.1 =1-3, 18-21, 68 u. 69

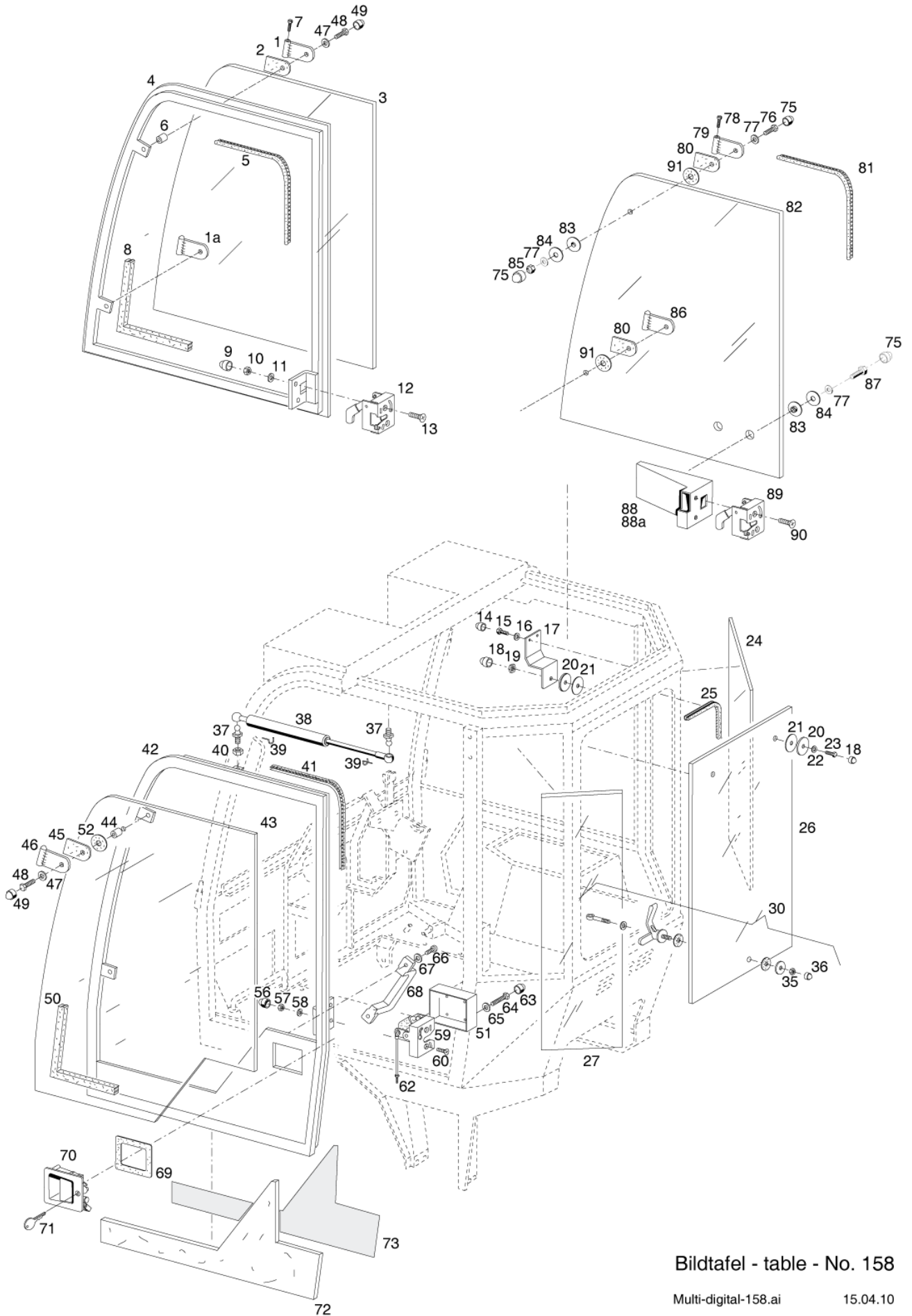


Bildtafel - table - No. 156

Multi-digital-156.ai

17.08.2016

Item no.	Article no.	Description	Quantity
70	797217	PLASTIC BOLT	2
75	796917	BUTON FOR HEATING VALVE	1
76	798569	INFORMATION SIGN	1
77	796918	CONTROL VALVE	1
78	796107	COUNTERSUNK SCREW	2
80	797474	HOLDER	1
81	795453	SPRING RING	2
82	022991	LENS HEAD SCREW	2
85	797529	BUTON FOR HEATING VALVE	1
86	797450	CONTROL VALVE	1
87	797764	SPRINKLER PUMP	1
88	797451	WATER TANK	1
90	118423	radio	1
91	023673	radio with cassette deck	1
92	023674	BUILT-IN LOUDSPEAKER	1
93	023675	ANTENNA	1
94	012018	LUSTRE CLAMP	1
95	023676	PUSH-ON CONTACT	1
96	023677	PUSH-ON CONTACT	1
97	023678	CABLE ASS. RED	1
98	023679	CABLE ASS. RED	1
99	023680	CABLE ASS. BROWN	1
100	011576	6-HEAD NUT	1
101	010061	SPRING WASHER	1
102	122058	CALELE	1
103	149106	RADIO INSTALLATION KIT WITH CD-PLAYER	1
104	031126	RADIO WITH CD-PLAYER	1
105	023674	BUILT-IN LOUDSPEAKER	1
106	023675	ANTENNA	1
107	012018	LUSTRE CLAMP	1
108	023676	PUSH-ON CONTACT	1
109	023677	PUSH-ON CONTACT	1
110	011576	6-HEAD NUT	1
111	010061	SPRING WASHER	1
112	149581	149581	1
113	797729	ADAPTER FOR RADIO	1
114	023674	BUILT-IN LOUDSPEAKER	1
115	023675	ANTENNA	1
116	012018	LUSTRE CLAMP	1
117	023676	PUSH-ON CONTACT	1
118	023677	PUSH-ON CONTACT	1
119	011576	6-HEAD NUT	1
120	010061	SPRING WASHER	1

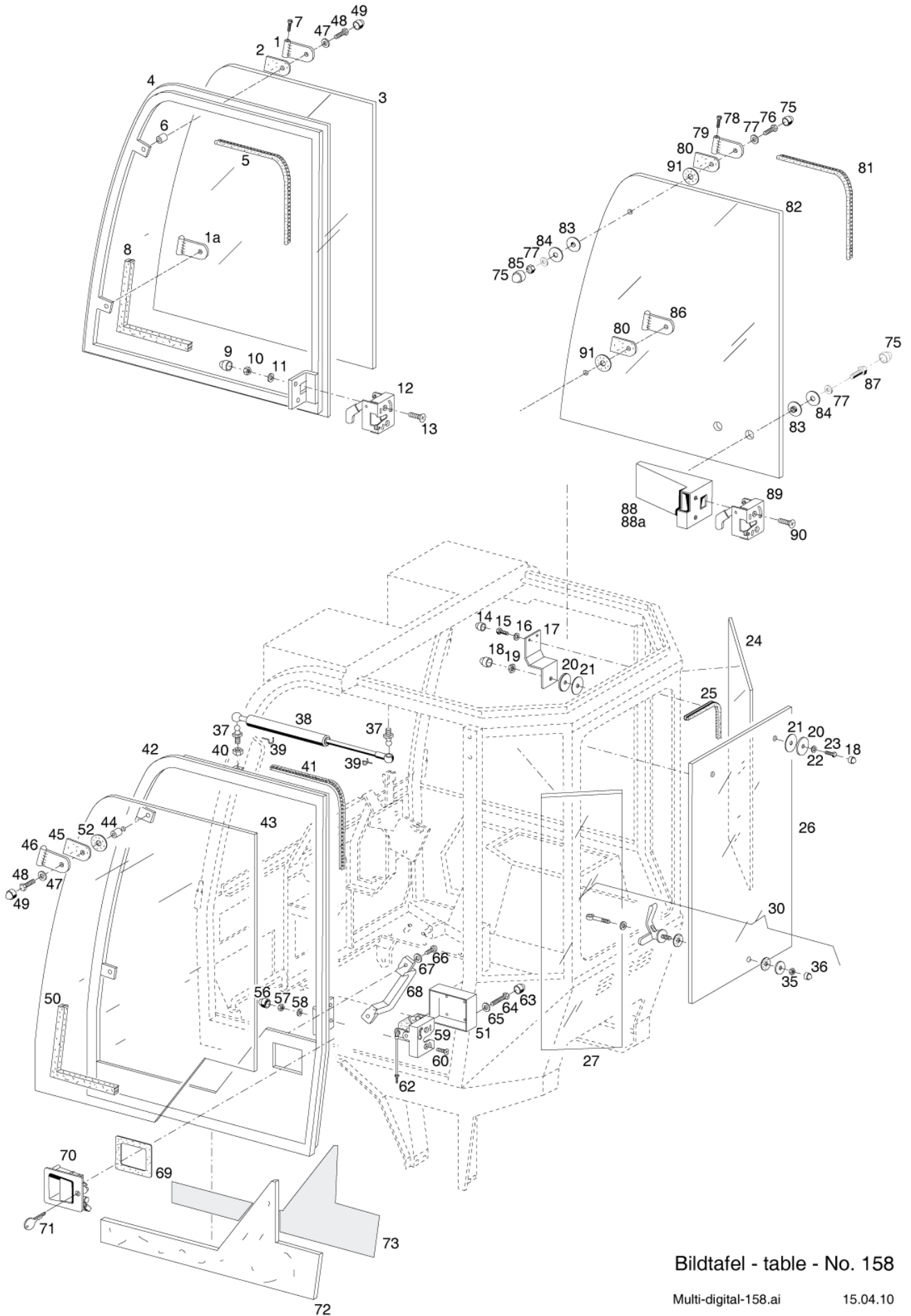


Bildtafel - table - No. 158

Multi-digital-158.ai

15.04.10

Item no.	Article no.	Description	Quantity
0	796874	EMERGENCY DOOR RIGHT	1
0a	797715	EMERGENCY DOOR RIGHT	1
0b	796849	DOOR LEFT	1
1	796916	HINGE RIGHT	1
1a	796922	+HINGE ASSY. LWR RIGHT	1
2	797045	UNDERLAY	1
3	796831	DOOR GLASS RIGHT	1
4	799591	799591	1
5	797040	RUBBER GASKET PROFILE	1
6	797044	SPACER SLEEVE	2
7	026571	LENS HEAD SCREW	1
8	796989	SPONGE RUBBER C300	1
9	023241	BONNET	2
10	011935	6-HEAD NUT	2
11	011140	SPRING RING	2
12	797186	TURNING SLAM LOCK RIGHT	1
13	013917	COUNTERSUNK SOCKET SCREW	2
14	131941	BONNET	2
15	011502	6-HEAD SCREW	4
16	011139	SPRING RING	2
17	797205	+HOLDER C2/300	2
18	131941	BONNET	4
19	011579	6-HEAD NUT	2
20	797593	PLASTIC DISC	4
21	797594	WASHER	4
22	011140	SPRING RING	2
23	011518	6-HEAD SCREW	2
24	796971	REAR WINDOW RIGHT	1
25	797051	PROFILE	1
26	796995	REAR WINDOW	1
27	796969	REAR WINDOW LEFT	1
30	797020	CLOSURE	1
35	011935	6-HEAD NUT	1
36	023241	BONNET	1
37	025892	BALL PIVOT	2
38	791253	GAS SPRING	1
39	023574	SAFETY CATCH	2
40	011579	6-HEAD NUT	1
41	797040	RUBBER GASKET PROFILE	1
42	799592	799592	1
43	796832	DOOR GLASS LEFT	1
44	797044	SPACER SLEEVE	1
45	797045	UNDERLAY	1
46	796921	HINGE LEFT	2
47	012537	SHIM	4
48	011520	6-HEAD SCREW	4
49	023241	BONNET	2
50	796989	SPONGE RUBBER C300	1
51	797619	HOLDER	1
52	790812	RUBBER DISC	1
56	023241	BONNET	2

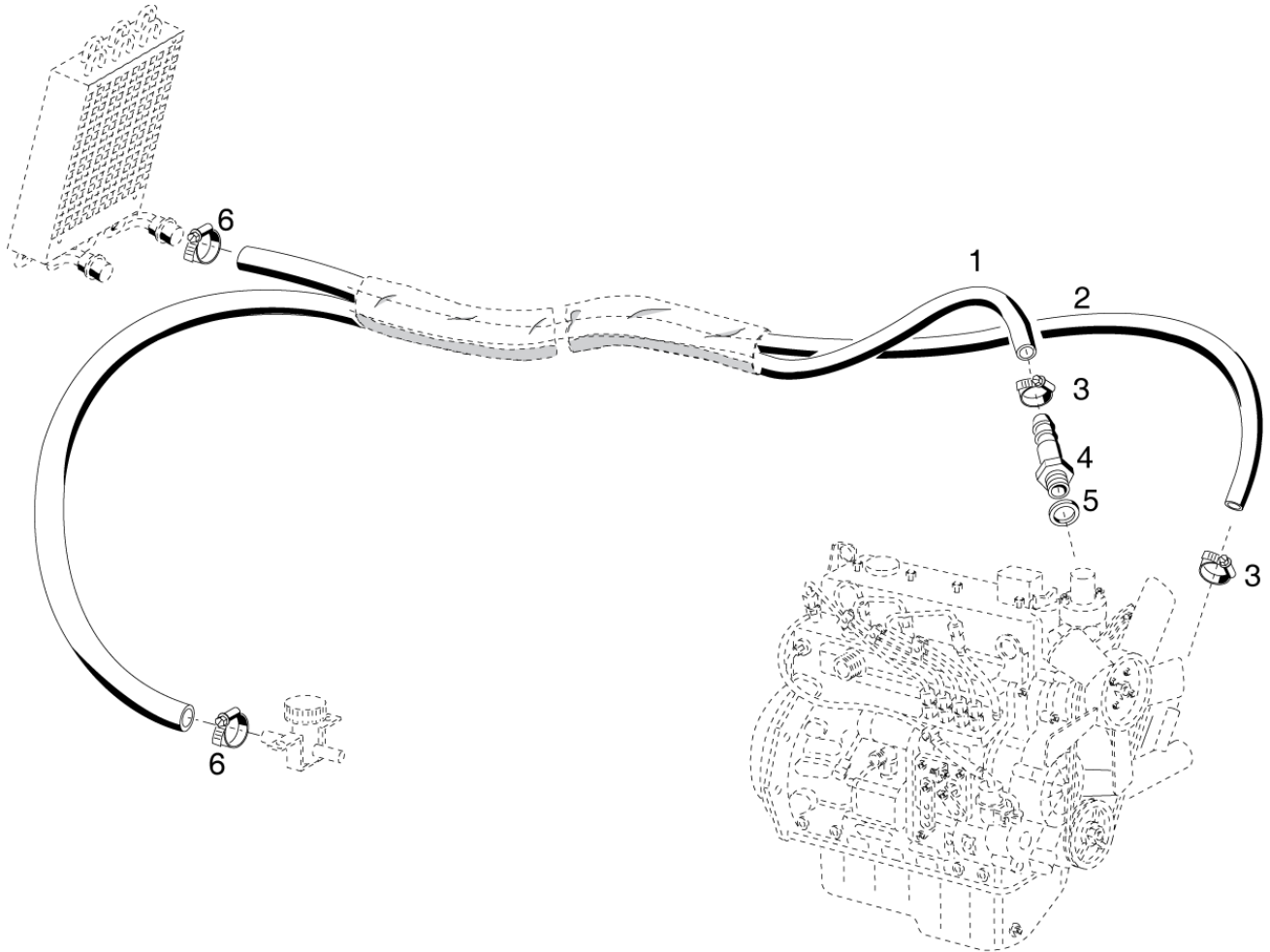


Bildtafel - table - No. 158

Multi-digital-158.ai

15.04.10

Item no.	Article no.	Description	Quantity
57	011935	6-HEAD NUT	2
58	011044	INNER-6-HEAD SCREW	2
59	797181	TURNING SLAM LOCK LEFT	1
60	013917	COUNTERSUNK SOCKET SCREW	2
62	797434	ROD FOR ROTARY LATCH LOCK	1
63	131941	BONNET	4
64	024273	6-HEAD SCREW	4
65	010464	SHIM	4
66	025028	+PAN HEAD SHEET METAL SCREW	4
67	010463	SHIM	4
68	797201	DOOR HANDLE 421/22	1
69	797809	BASE FOR GRIP PLATE	1
70	797188	GRIP CAP	1
71	796886	DOOR KEY	2
72	798428	FOAM MATERIAL	1
73	798429	SYNTHETIC LEATHER	1
75	023241	BONNET	6
76	011514	6-HEAD SCREW	2
77	012537	SHIM	6
78	026571	LENS HEAD SCREW	1
79	797452	HINGE RIGHT	1
80	797045	UNDERLAY	1
81	790772	CLAMPING PROFILE	3,4
82	797448	DOOR WINDOW RIGHT SIDE C200	1
83	797594	WASHER	2
84	797593	PLASTIC DISC	2
85	011935	6-HEAD NUT	2
86	797453	HINGE RIGHT BELOW	1
87	011514	6-HEAD SCREW	2
88	797454	LOCK BOX, PAINTED C200	1
88a	797481	LOCK CASE LAQUERED	1
89	797186	TURNING SLAM LOCK RIGHT	1
90	013917	COUNTERSUNK SOCKET SCREW	2
91	790812	RUBBER DISC	2

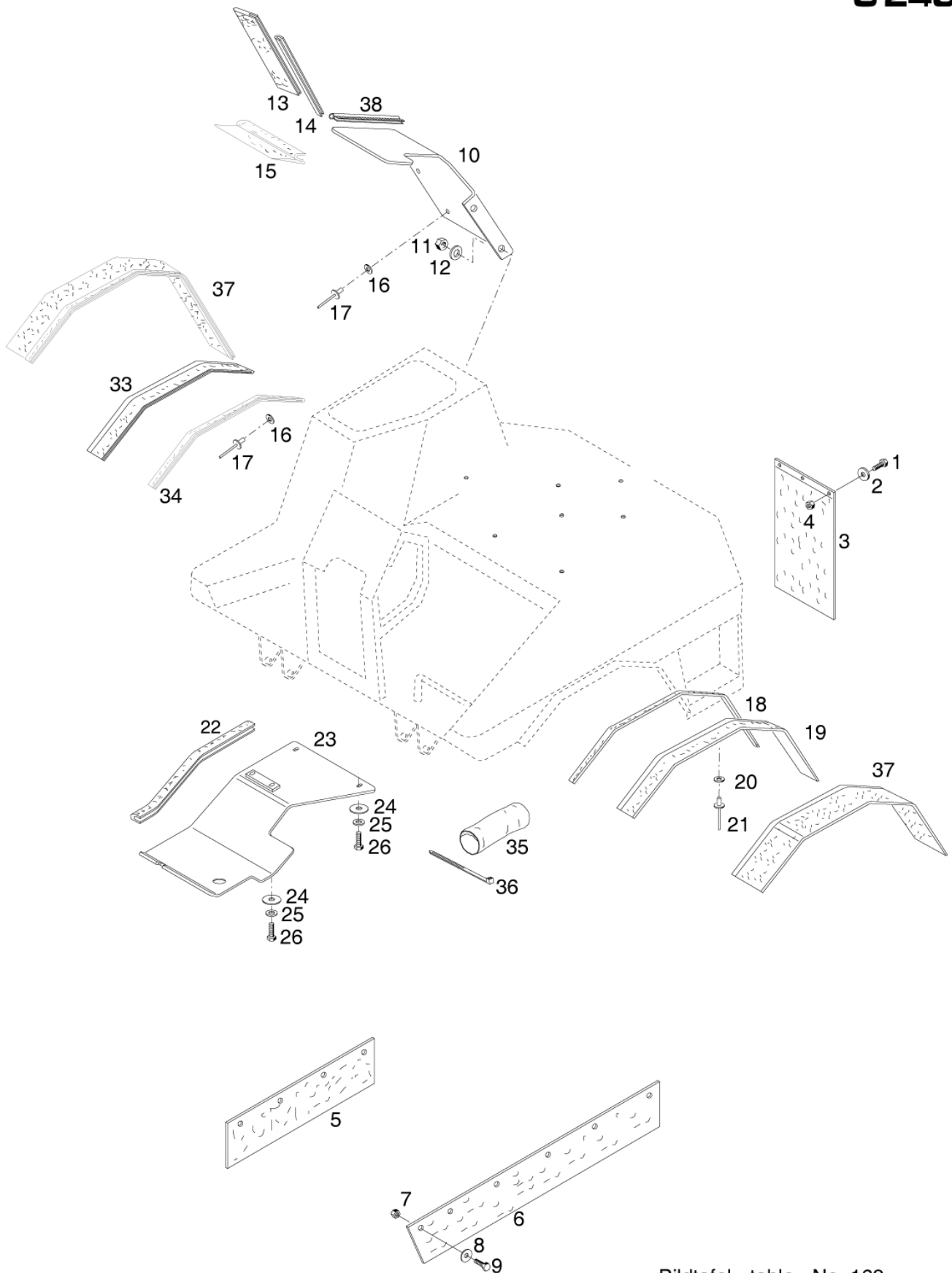


Bildtafel - table - No. 160

Multi-digital-160.ai

26.03.01

Item no.	Article no.	Description	Quantity
1	028914	HOT WATER HOSE	1
2	028822	HOT WATER HOSE	1
3	030720	HOSE CLAMP	2
4	027314	HOSE NOZZLE	1
5	014771	GASKET RING	1
6	030720	HOSE CLAMP	2

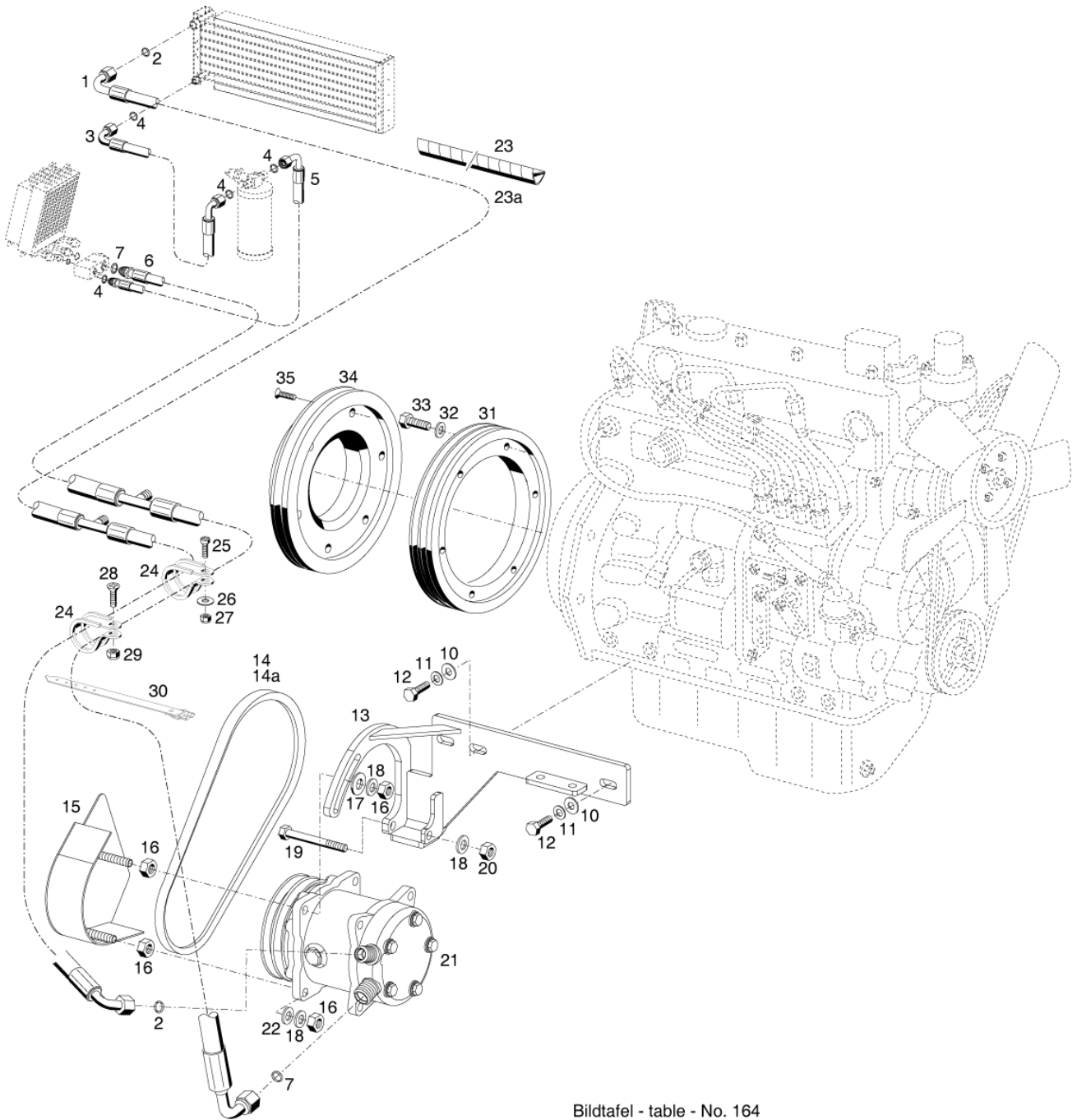


Bildtafel - table - No. 162

Multi-digital-162.ai

15.04.10

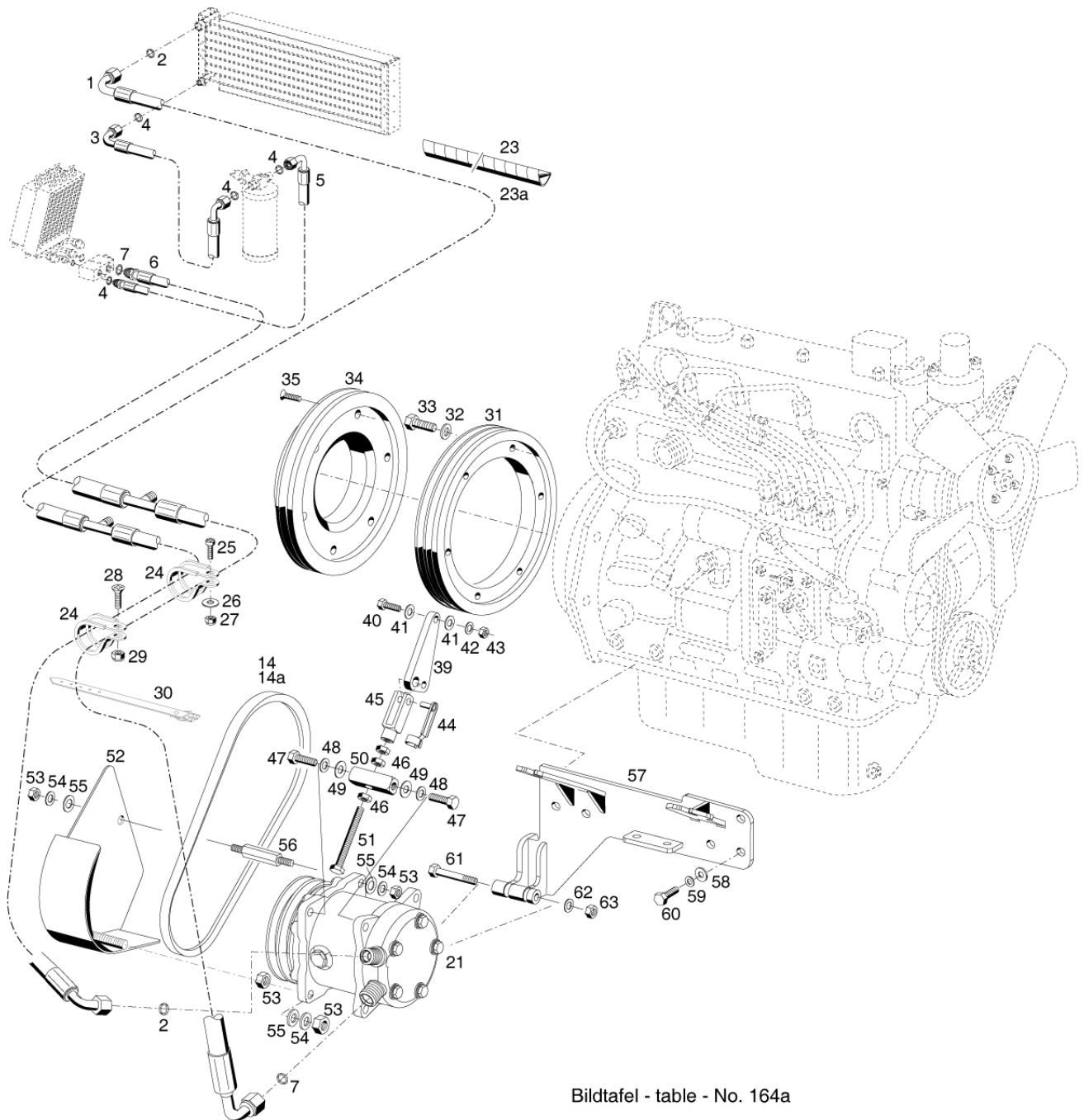
Item no.	Article no.	Description	Quantity
1	011503	6-HEAD SCREW	6
2	010464	SHIM	3
3	135435	DIRT TRAP	2
4	011683	6-HEAD NUT	6
5	136284	SPRAY PLAPS RIGHT	1
6	136285	SPRAY PLAPS LEFT	1
7	011683	6-HEAD NUT	9
8	010464	SHIM	9
9	011503	6-HEAD SCREW	9
10	135813	FENDER RIGHT	1
11	011579	6-HEAD NUT	2
12	010063	SPRING WASHER	2
13	135814	FENDER EXTENSIONS	1
14	028866	EDGE PROTECTION	1
15	028916	SEALING PROFILE	1
16	023819	SHIM	2
17	016638	BLANK RIVET	2
18	028866	EDGE PROTECTION	1
19	140527	FENDER EXTENSIONS LEFT	1
20	023819	SHIM	9
21	016638	BLANK RIVET	9
22	028915	EDGE PROTECTION	1
23	136126	FENDER PLATE	1
24	010464	SHIM	4
25	011742	SPRING WASHER	4
26	011158	6-HEAD SCREW	4
33	140526	FENDER EXTENSIONS RIGHT	1
34	028866	EDGE PROTECTION	1
35	139399	INDUSTRIAL HOSE	1
36	027250	CABLE BAND	2
37	135809	FENDER EXTENSIONS	4
38	030712	METAL CRAMP PROFILE	1



Bildtafel - table - No. 164

Multi-digital-164.ai 19.05.05

Item no.	Article no.	Description	Quantity
0	144011	air conditioning	1
1	797671	HOSE SET	1
2	797665	O-Ring	2
3	799593	HOSE SET	1
4	797664	O-Ring	4
5	801492	HOSE SET	1
6	797495	HOSE SET	1
7	797666	O-RING	2
10	010046	SHIM	3
11	010064	SPRING WASHER	3
12	023768	6-HEAD SCREW	3
13	143838	HOLDER	1
14	797239	V-BELT	1
14a	031416	V-BELT	1
15	143950	BELT GUARD	1
16	011585	6-HEAD NUT	4
17	025055	SHIM	1
18	010064	SPRING WASHER	3
19	011111	6-HEAD SCREW	1
20	011585	6-HEAD NUT	1
21	143837	AIR CONDITIONING COMPRESSOR	1
22	010046	SHIM	1
23	798141	PROTECTION COIL	1
23a	798141	PROTECTION COIL	1
24	025596	PIPE CLAMP WITH RUBBER PROFILE	2
25	023652	LENS HEAD SCREW	1
26	010464	SHIM	1
27	011683	6-HEAD NUT	1
28	011669	COUNTERSUNK SCREW	1
29	011935	6-HEAD NUT	1
30	027886	Belt	4
31	143004	2 GROOVE FLYWHEEL MASS	1
32	010063	SPRING WASHER	6
33	011173	6-HEAD SCREW	6
34	143005	2 GROOVE FLYWHEEL MASS	6
35	012592	COUNTERSUNK SOCKET SCREW	6

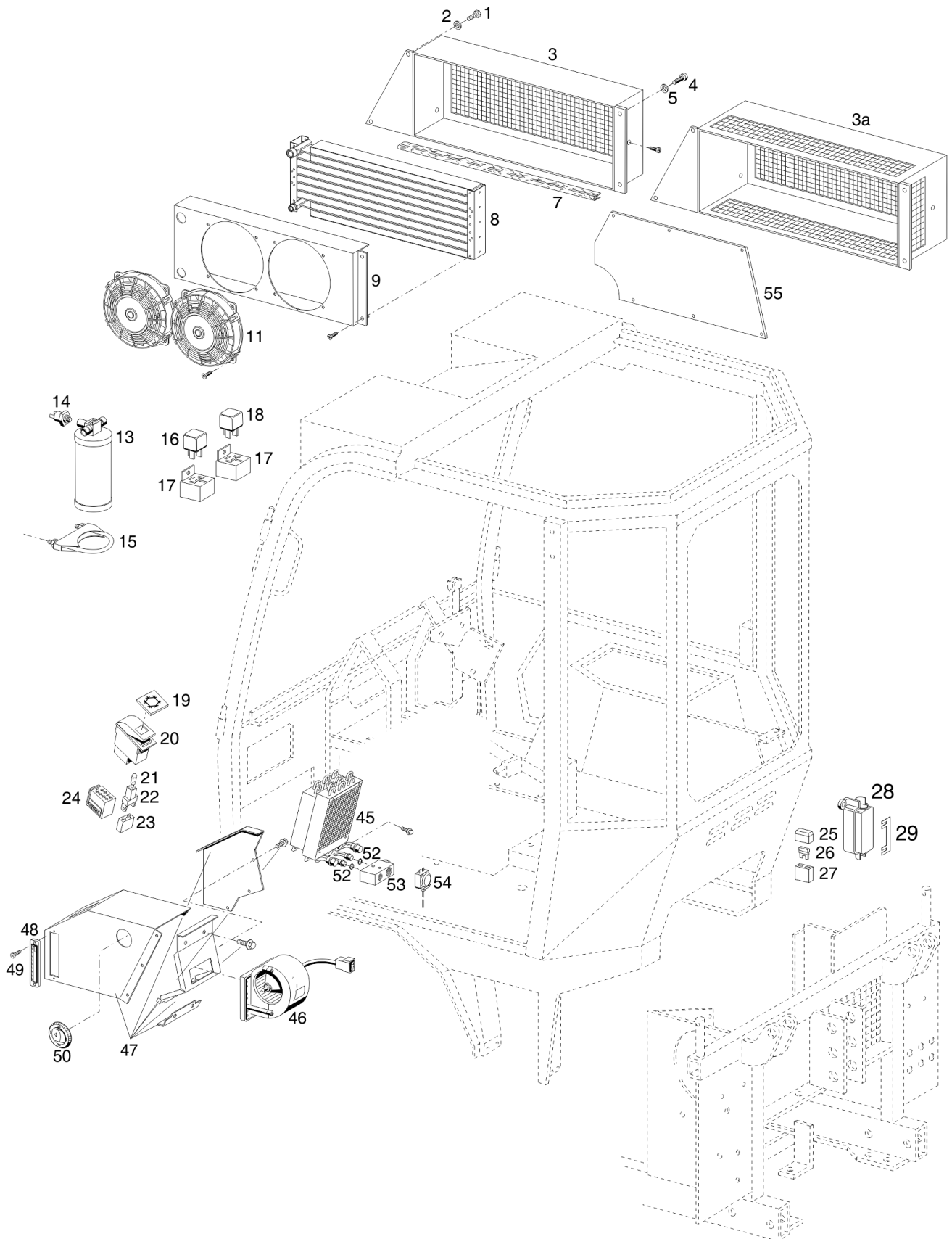


Bildtafel - table - No. 164a

Multi-digital-164.ai

01.02.10

Item no.	Article no.	Description	Quantity
0	144011	air conditioning	1
1	797671	HOSE SET	1
2	797665	O-Ring	2
3	799593	HOSE SET	1
4	797664	O-Ring	4
5	801492	HOSE SET	1
6	797495	HOSE SET	1
7	797666	O-RING	2
14	797239	V-BELT	1
14a	031416	V-BELT	1
21	143837	AIR CONDITIONING COMPRESSOR	1
23	798141	PROTECTION COIL	1
23a	798141	PROTECTION COIL	1
24	025596	PIPE CLAMP WITH RUBBER PROFILE	2
25	023652	LENS HEAD SCREW	1
26	010464	SHIM	1
27	011683	6-HEAD NUT	1
28	011669	COUNTERSUNK SCREW	1
29	011935	6-HEAD NUT	1
30	027886	Belt	4
31	143004	2 GROOVE FLYWHEEL MASS	1
32	010063	SPRING WASHER	6
33	011173	6-HEAD SCREW	6
34	143005	2 GROOVE FLYWHEEL MASS	6
35	012592	COUNTERSUNK SOCKET SCREW	6
39	150439	COUNTERHOLDER	1
40	011520	6-HEAD SCREW	2
41	010044	SHIM	2
42	010063	SPRING WASHER	2
43	011579	6-HEAD NUT	2
44	025242	ES-BOLZEN	1
45	025227	FORK HEAD	1
46	011751	6-HEAD NUT	3
47	011525	6-HEAD SCREW	2
48	010064	SPRING WASHER	2
49	010046	SHIM	2
50	150530	CONNECTION	1
51	011902	6-HEAD SCREW	1
52	150523	BELT GUARD	1
53	011585	6-HEAD NUT	4
54	010064	SPRING WASHER	3
55	010046	SHIM	3
56	031333	6-HEAD DISTANCE	1
57	150441	COMPRESSOR BRACKET	1
58	010046	SHIM	5
59	010064	SPRING WASHER	5
60	023767	6-HEAD SCREW	5
61	011111	6-HEAD SCREW	1
62	010064	SPRING WASHER	1
63	011585	6-HEAD NUT	1



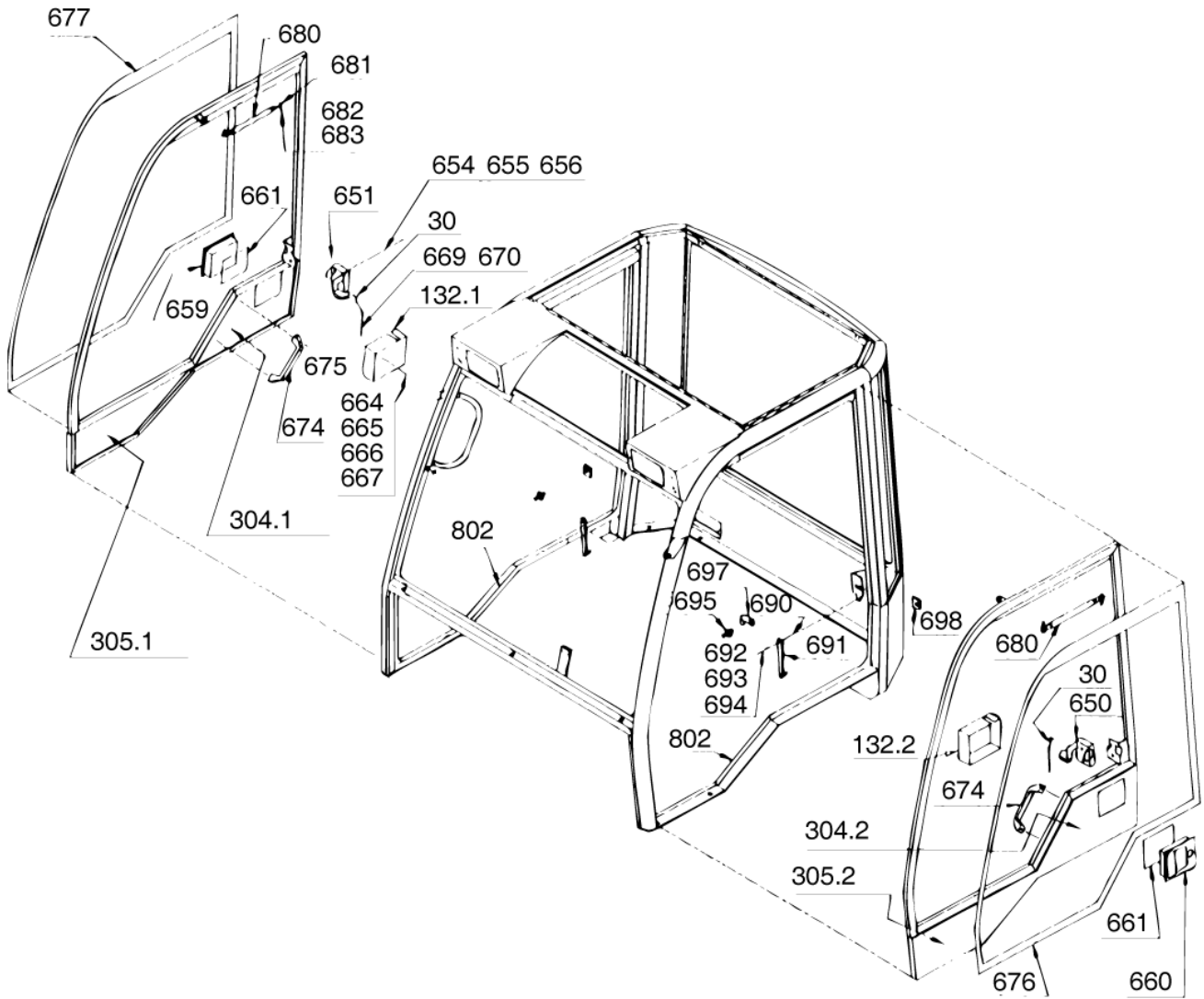
Bildtafel - table - No. 165

Multi-digital-165.ai

11.10.12

Item no.	Article no.	Description	Quantity
1	011509	6-HEAD SCREW	2
2	010044	SHIM	2
3	798111	CONDENSER COVER PLATE	1
3a	799916	CONDENSER COVER PLATE	1
4	795912	LENS HEAD SCREW	2
5	010464	SHIM	2
7	790377	SEAL PROFILE	2
8	798113	CONDENSER	1
9	798112	FAN PLATE	1
11	797675	BLOWER	2
13	797927	DRYER WITH PRESSURE SWITCH	1
14	797645	PRESSURE SWITCH	1
15	799595	799595	1
16	797878	Relais	1
17	031119	RELAY SOCKET	2
18	031118	RELAY DOUBLE MAKE CONTACT 12 V	1
19	030770	USE SIGN	1
20	030849	SWITCH	1
21	012020	BULB FOR MOTOR VEHICLE	1
22	797238	LAMP HOLDER WITH LAMP FOR SWITCH	1
23	030570	RECEPTACLE HOUSING 2-POLE	1
24	797003	RECEPTACLE HOUSING	1
25	799596	799596	1
26	026667	FLAT BLADE FUSE	1
27	797743	+FUSE HOLDER f. A/C	1
28	797734	Fuse holder	1
29	797921	Fuse	1
45	798114	HEAT EXCHANGER	1
46	796913	BLOWER	1
47	798646	FAN	1
48	131664	SPINDLE NOZZLE	1
49	795904	FILISTER SHEET METALL SCREW	2
50	797131	ROUND NOZZLE	1
52	797665	O-Ring	2
53	797492	BLOCK VALVE	1
54	797656	THERMOSTAT COMPL.	1
55	801184	COVER	1

Item no.	Article no.	Description	Quantity
1260	800818	VCI CABIN, DOOR; C300	1
1270	800819	VCI CABIN, ROOF, MIRROR, C300	1
1280	800820	REAR WINDOW, SIDE WINDOW, ROTATING BEACON, C300, VCI	1
1290	800821	WINDSHIELD; WINDSHIELD WIPERS; WORKING SPOTLIGHT, C300, VCI	1
1300	800822	VCI CABIN, HEATING, C300	1
1310	800823	VCI CABIN, HEATER HOSE, C300	1
1320	800824	VCI CABIN, FLOOR PAN, COVER PLATES, HEAD LIGHT, C300	1
1330	800825	VCI CABIN, DIRT TRAP, C300	1

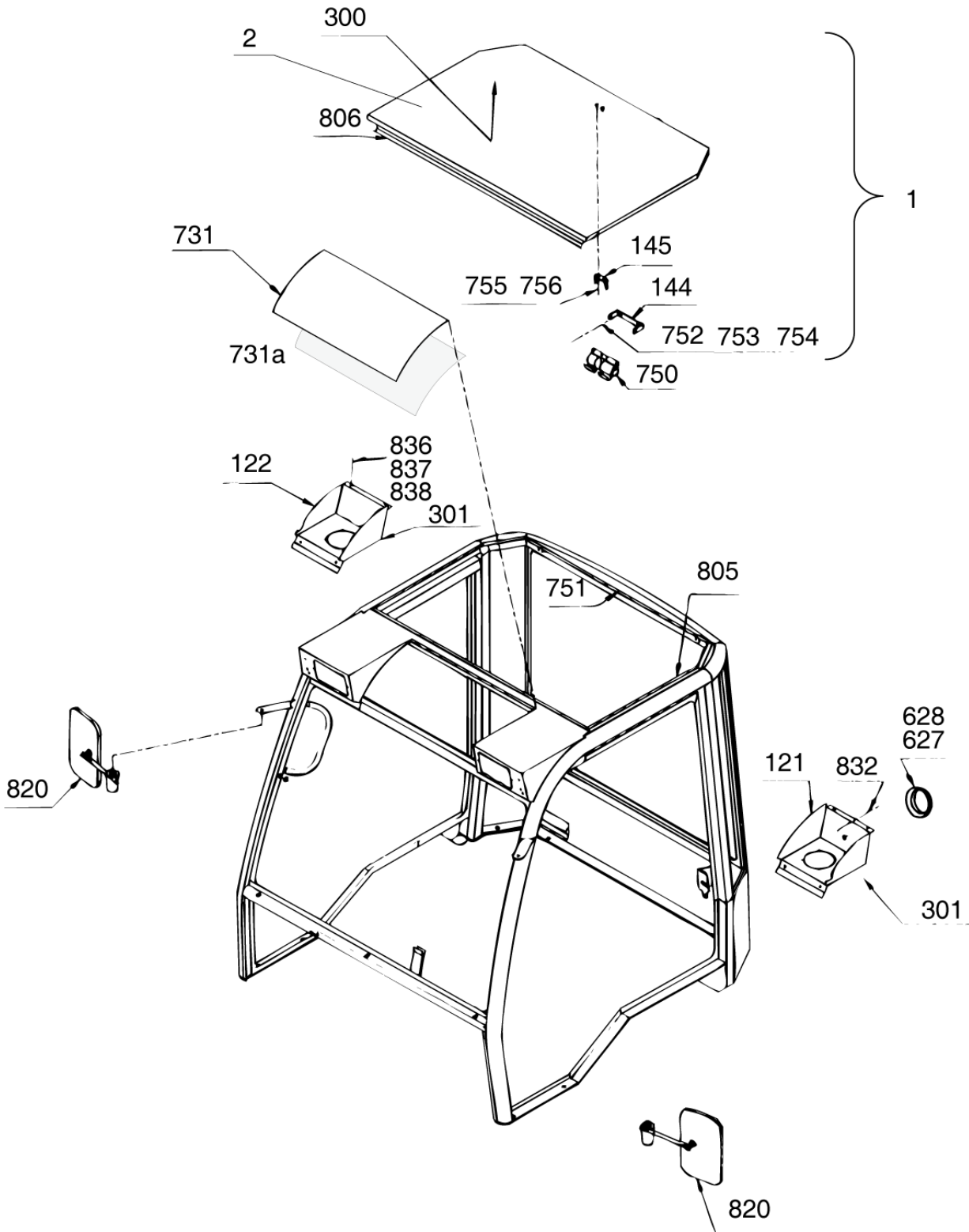


Bildtafel - table - No. 170

Multi-digital-170.ai

26.03.01

Item no.	Article no.	Description	Quantity
0	791769	DOOR LEFT	1
0a	791770	DOOR RIGHT	1
30	797002	LOCK BAR	1
132.1	799507	COVER RIGHT	1
132.2	799508	COVER LEFT	1
304.1	799509	799509	1
304.2	799510	799510	1
305.1	799511	799511	1
305.2	799512	799512	1
650	788936	LOCK LEFT	1
651	788937	LOCK RIGHT	1
654	010044	SHIM	4
655	799365	799365	4
656	011935	6-HEAD NUT	4
659	788933	DOOR LOCK	1
660	788935	OUTSIDE LOCK	1
660.1	788938	KEY	2
661	788934	SLEEVE	2
664	011749	SHIM	8
665	011139	SPRING RING	8
666	799513	799513	8
667	799513	799513	8
669	011571	6-HEAD NUT	4
670	798848	FUSE NUT	2
674	788941	HANDGRIP	2
675	799369	799369	4
676	786504	DOOR GLASS LEFT	1
677	786505	DOOR GLASS RIGHT	1
677.1	028262	SEALING COMPOUND	1
680	789160	GAS SPRING	2
681	789158	789158	4
682	010044	SHIM	6
683	011935	6-HEAD NUT	4
690	799370	799370	2
691	789157	BRACKET	2
692	011518	6-HEAD SCREW	2
693	010044	SHIM	4
695	797770	COTTER BOLT	2
697	799371	799371	2
698	796434	LOCK PLATE	2
802	789135	SEALING PROFILE	2

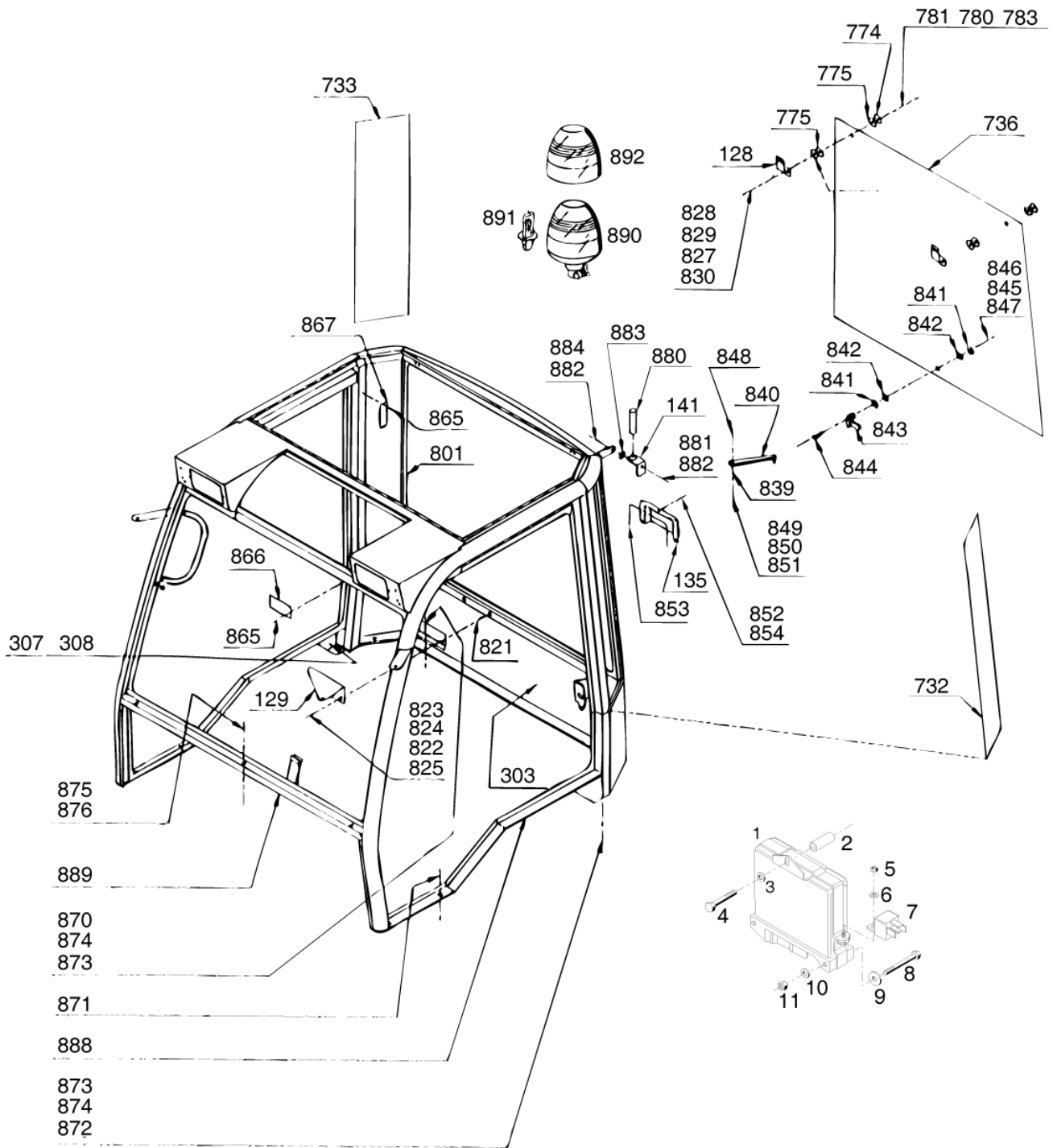


Bildtafel - table - No. 172

Multi-digital-172.ai

26.03.01

Item no.	Article no.	Description	Quantity
1	796935	ROOF HATCH COMPLETE	1
2	799522	roof light	1
121	799523	roof light	1
122	799524	roof light	1
144	796431	RETAINER	1
145	790127	STIRRUP	1
300	799525	roof light	1
301	799526	roof light	1
627	788927	INTERIOR LIGHT	1
628	799375	799375	1
731	786503	ROOF WINDOW	1
731a	796488	SUN PROTECTION FILM	1
750	788939	HANDLE	1
751	799376	799376	2
752	011159	6-HEAD SCREW	2
753	011749	SHIM	4
754	011139	SPRING RING	2
755	011935	6-HEAD NUT	2
756	011749	SHIM	2
805	789133	789133	1
806	789134	789134	1
820	789196	MIRROR	2
832	799377	799377	2
836	010464	SHIM	8
837	799378	799378	8
838	790784	790784	8

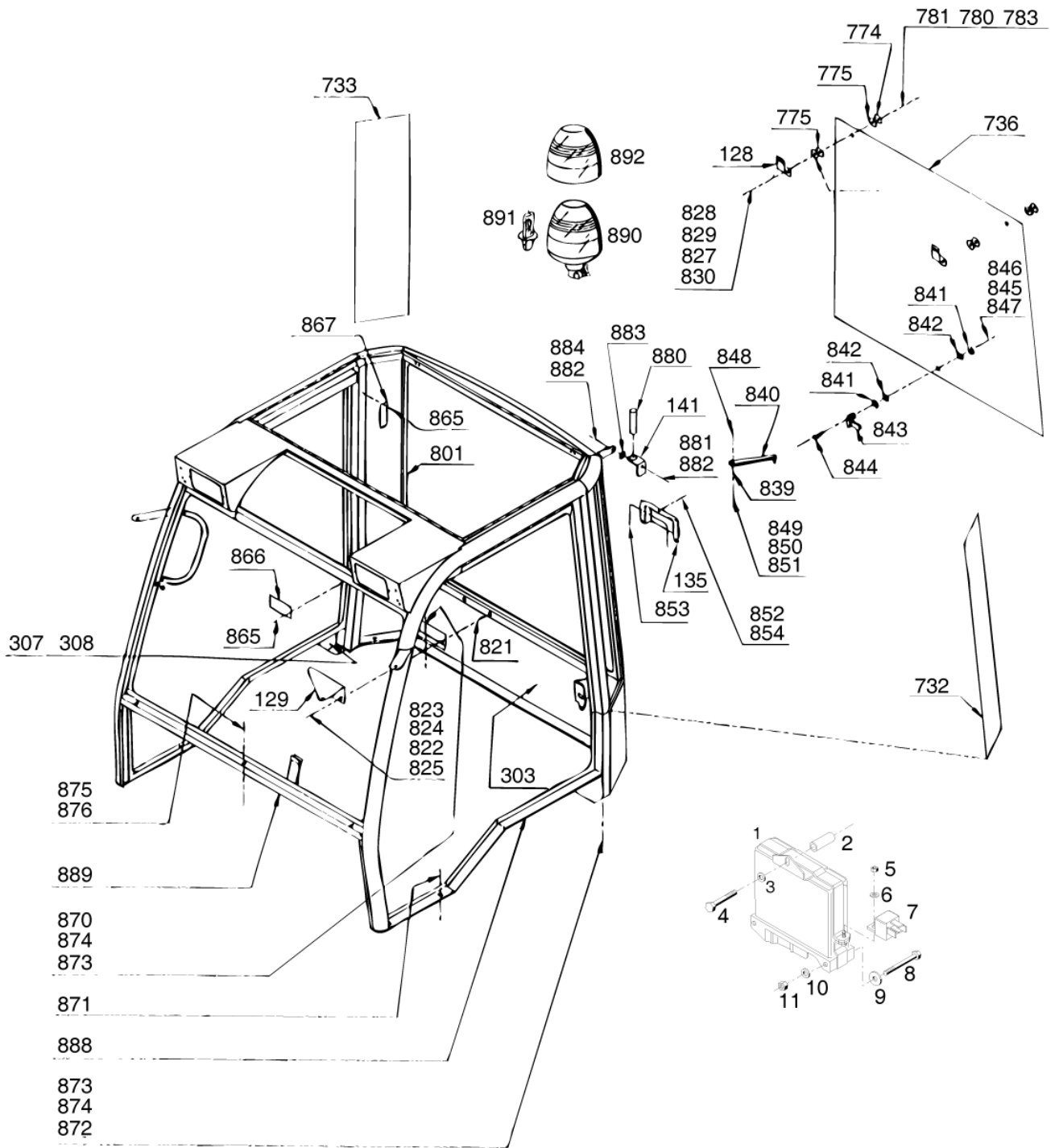


Bildtafel - table No. 174

Multi-digital-174.ai

17.05.11

Item no.	Article no.	Description	Quantity
1	137984	ELECTRONIC BOX CPL.	1
2	138352	PIPE	1
3	010044	SHIM	1
4	011172	6-HEAD SCREW	1
5	011576	6-HEAD NUT	1
6	010061	SPRING WASHER	1
7	027135	CHANGEVER RELAIS WITHOUT EXTINGUISHING DIODE	1
8	022975	6-HEAD SCREW	2
9	010464	SHIM	2
10	011742	SPRING WASHER	2
11	011683	6-HEAD NUT	2
128	796386	HINGE	2
129	799527	799527	1
135	799528	799528	1
141	799563	799563	1
303	799529	799529	1
307	799530	799530	1
308	799531	799531	1
732	796417	SIDE WINDOW LEFT	1
733	796418	SIDE WINDOW RIGHT	1
736	786510	REAR WINDOW	1
774	789294	SHIM	6
775	789295	SHIM	10
780	011520	6-HEAD SCREW	4
781	010044	SHIM	8
783	023241	BONNET	8
801	789135	SEALING PROFILE	1
821	799471	799471	2
822	011159	6-HEAD SCREW	2
823	010044	SHIM	2
824	011140	SPRING RING	2
825	023241	BONNET	2
827	799427	799427	4
828	010887	SHIM	4
829	011139	SPRING RING	4
830	799428	799428	4
839	799532	799532	1
840	799533	799533	1
841	789294	SHIM	2
842	789295	SHIM	2
843	788943	WINDOW SHUTTER	1
844	796746	EYE SCREW	1
845	011935	6-HEAD NUT	1
846	010044	SHIM	1
847	023241	BONNET	1
848	011514	6-HEAD SCREW	1
849	010044	SHIM	2
850	011586	6-HEAD NUT	1
851	023241	BONNET	2
852	799440	799440	5
853	789326	RUBBER PRESSURE TAPE	1

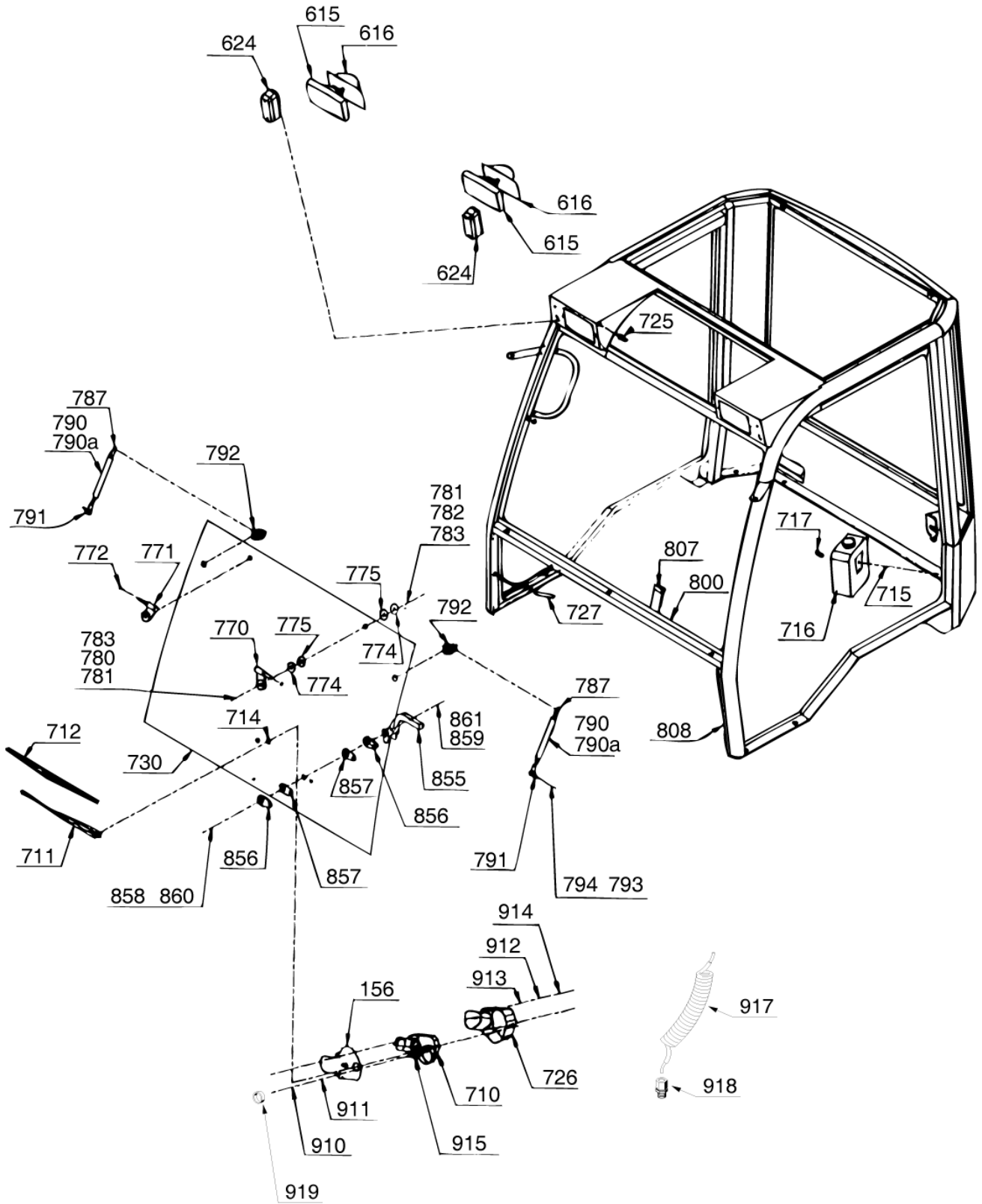


Bildtafel - table No. 174

Multi-digital-174.ai

17.05.11

Item no.	Article no.	Description	Quantity
854	027177	SHIM	5
865	799430	799430	4
866	799534	799534	1
867	799535	799535	1
870	011530	6-HEAD SCREW	4
871	799433	799433	4
872	011525	6-HEAD SCREW	2
873	010046	SHIM	6
874	010056	SPRING RING	6
875	799434	799434	3
876	799435	SHIM	3
880	796342	PIPE	1
881	011514	6-HEAD SCREW	1
882	010044	SHIM	2
883	799379	799379	1
884	011935	6-HEAD NUT	1
888	789327	789327	1
889	789327	789327	1
890	027888	Rotating beacon	1
891	025426	BULB FOR MOTOR VEHICLE	1
892	027952	LIGHTING HOOD YELLOW WITH OPTICS	1

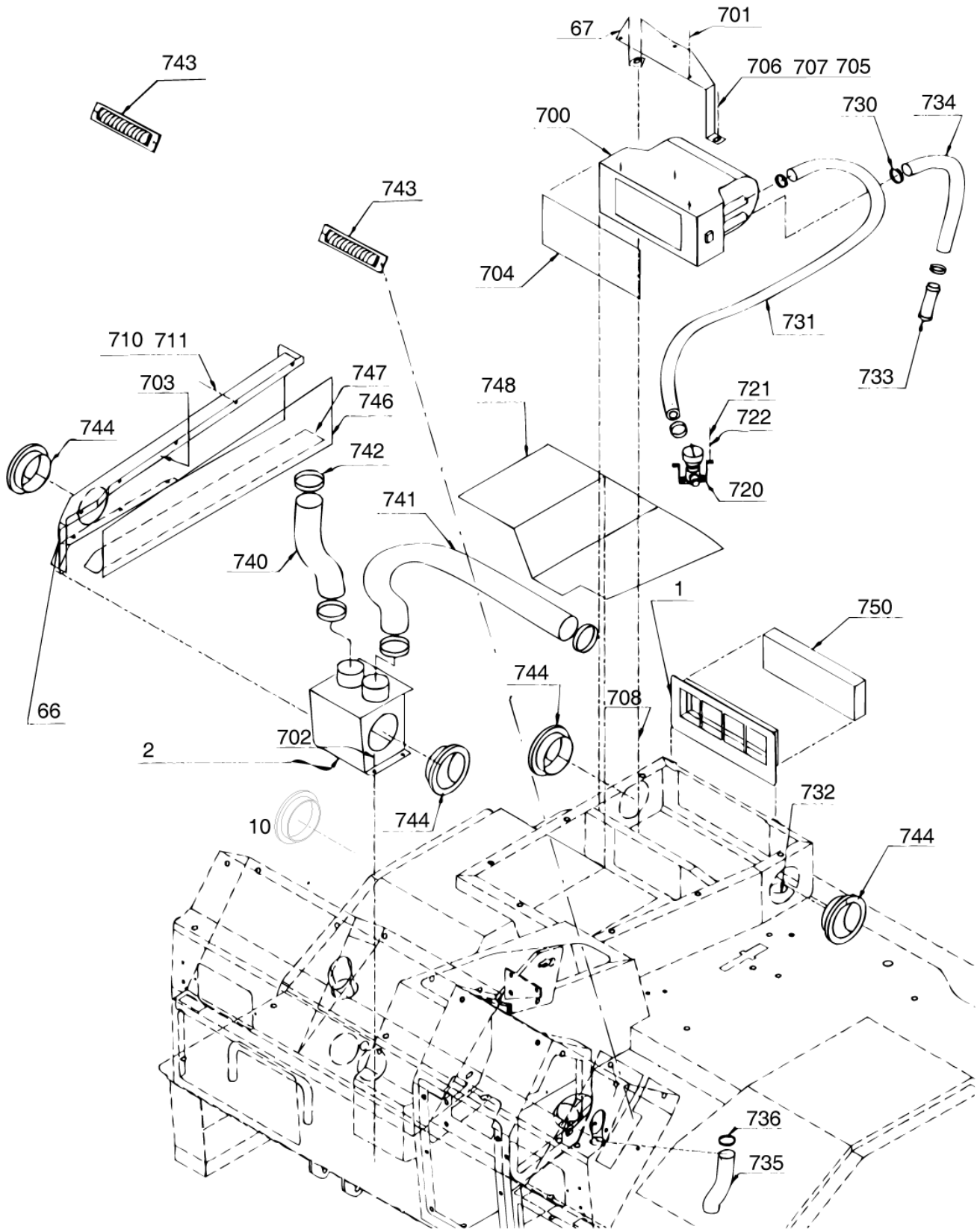


Bildtafel - table - No. 176

Multi-digital-176.ai

29.03.01

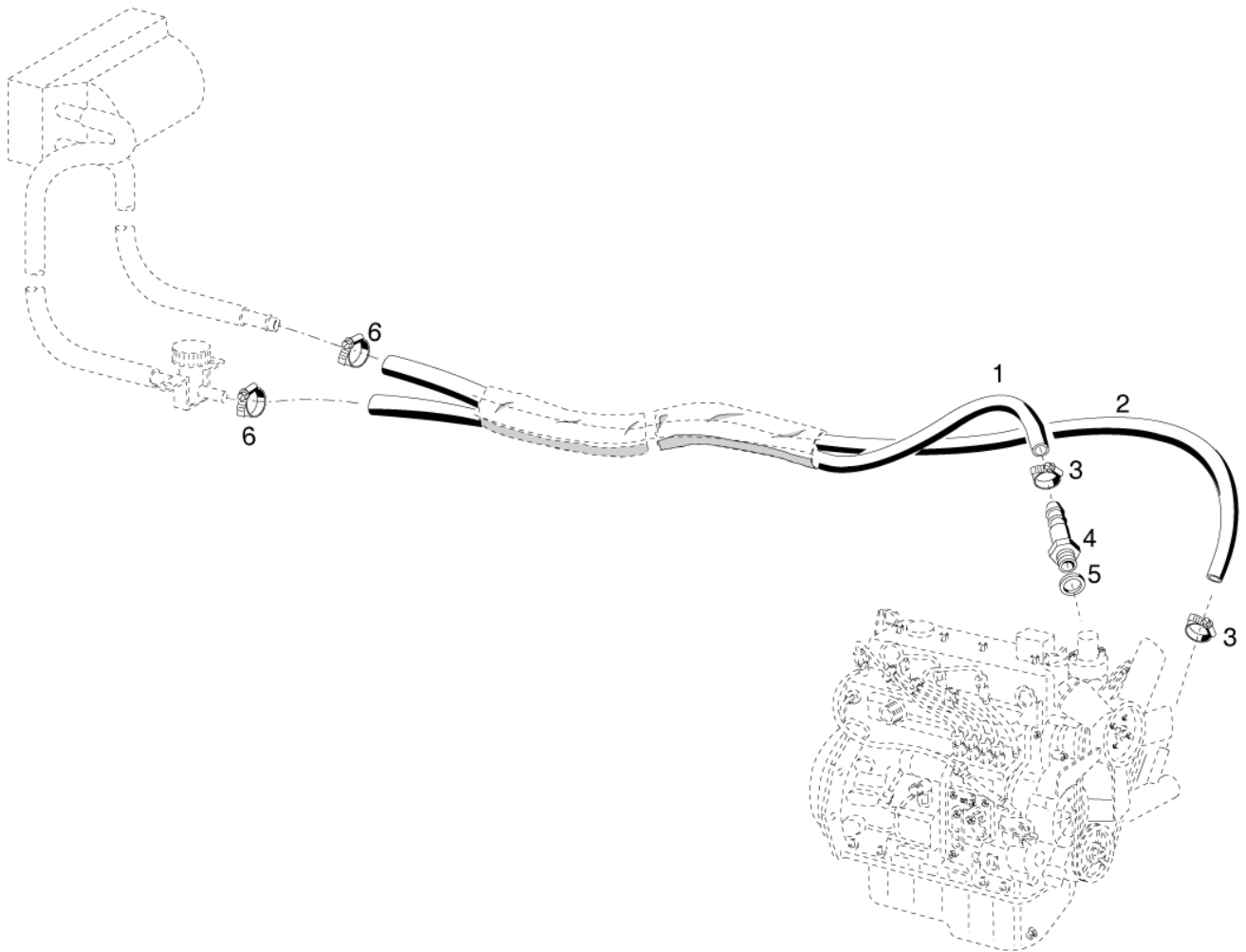
Item no.	Article no.	Description	Quantity
156	796391	COVER PANEL	1
615	788929	HEAD LIGHT	2
616	799467	799467	2
624	788928	788928	2
710	796239	WIPER MOTOR	1
711	796333	796333	1
712	796334	796334	1
715	799369	799369	2
716	788962	tank for washer	1
717	796444	NONRETURN VALVE	1
719	796604	796604	1
725	796336	NOZZLE	1
726	796425	cover	1
727	799438	799438	1
730	796240	HOLDER FACE PLATE	1
770	789161	HINGE	1
771	789162	HINGE	1
772	799439	799439	2
774	799536	799536	6
775	799537	799537	10
780	011520	6-HEAD SCREW	4
781	010044	SHIM	8
782	011935	6-HEAD NUT	4
783	023241	BONNET	8
787	796241	GAS SPRING HOLDER	2
790	796242	DOOR SCHOCK	2
790a	023574	SAFETY CATCH	2
791	012006	BALL CUP	2
792	796238	GAS SPRING HOLDER	2
793	011140	SPRING RING	2
794	010044	SHIM	2
800	789135	SEALING PROFILE	1
807	789134	789134	2
808	789136	789136	2
855	788940	HAND GRIP	1
856	796322	796322	1
857	796393	796393	2
858	796350	796350	1
859	011685	6-HEAD NUT	1
860	796394	796394	1
861	010044	SHIM	1
910	799443	799443	2
911	796335	SHIM	2
912	011503	6-HEAD SCREW	2
913	010887	SHIM	2
914	799428	799428	2
915	011579	6-HEAD NUT	1
917	796602	SPIRAL ELECTRIC CABLE	1
918	796603	SPIRAL CABLE HOLDER	1
919	796604	796604	1



Bildtafel - table - No. 178

Multi-digital-178.ai 29.03.01

Item no.	Article no.	Description	Quantity
1	799538	799538	1
2	799539	799539	1
10	023251	SEALING COVER	1
66	137366	137366	1
67	799540	799540	1
700	788899	HEATING	1
701	799369	799369	3
702	799541	799541	3
703	789326	RUBBER PRESSURE TAPE	1
704	789326	RUBBER PRESSURE TAPE	1
705	027580	6-HEAD SCREW	2
706	010887	SHIM	2
707	011139	SPRING RING	2
708	799376	799376	3
710	799378	799378	13
711	023292	SHIM	13
720	788903	heating valve	1
721	799542	799542	2
722	029020	TOOTHED LOCK WASHER	2
730	788904	788904	4
731	796788	HOSE	1
732	799543	799543	2
733	797247	EXTENSION TUBE	1
734	796787	796787	1
735	799449	799449	1
736	799450	799450	1
740	791002	WARM AIR HOSE	1
741	791002	WARM AIR HOSE	1
742	799451	799451	4
743	788901	788901	2
744	788902	AIR NOZZLE	4
746	799544	799544	1
747	799544	799544	1
748	799544	799544	1
750	796426	FILTER MAT HEATING-CABINE	1

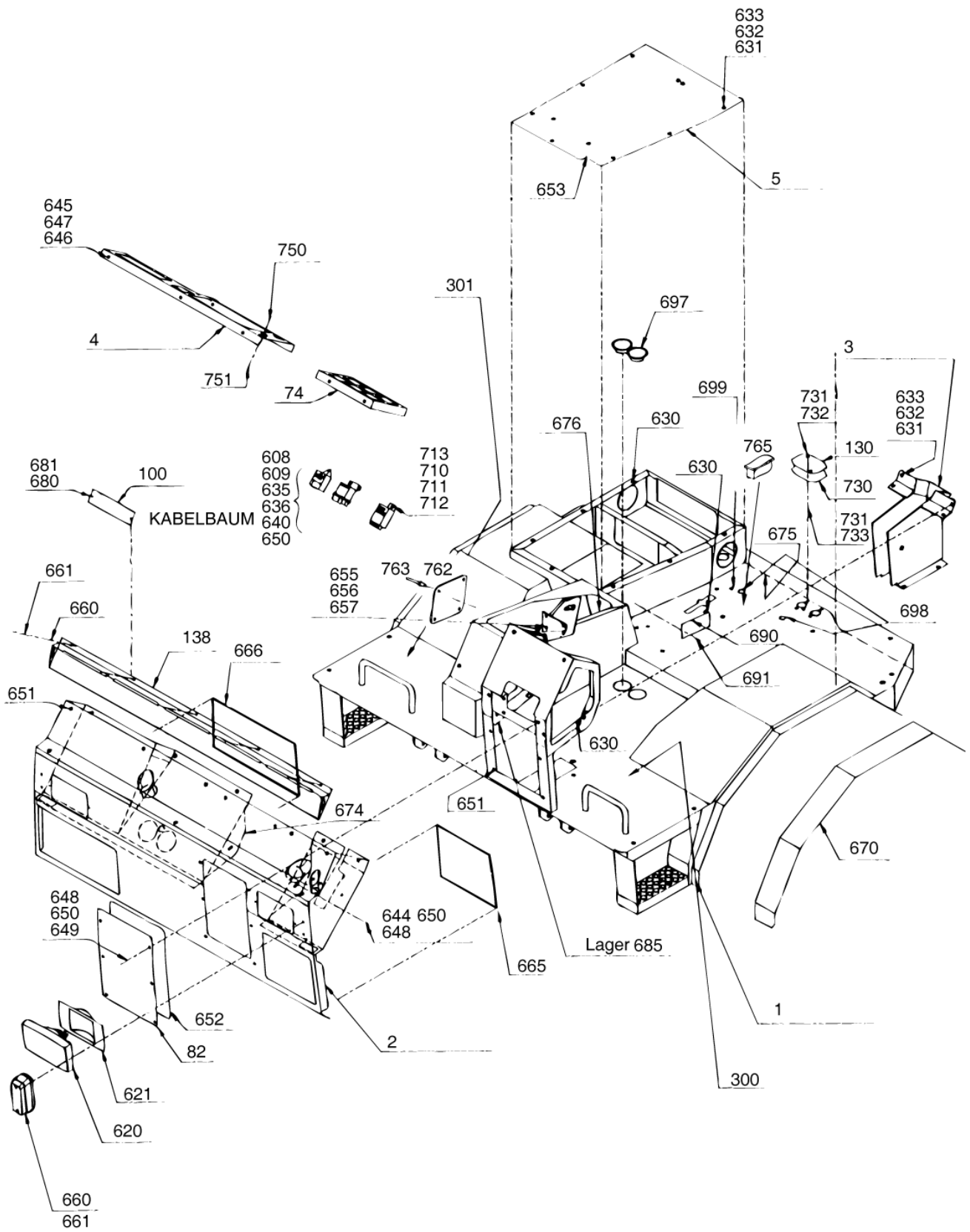


Bildtafel - table - No. 180

Multi-digital-180.ai

29.03.01

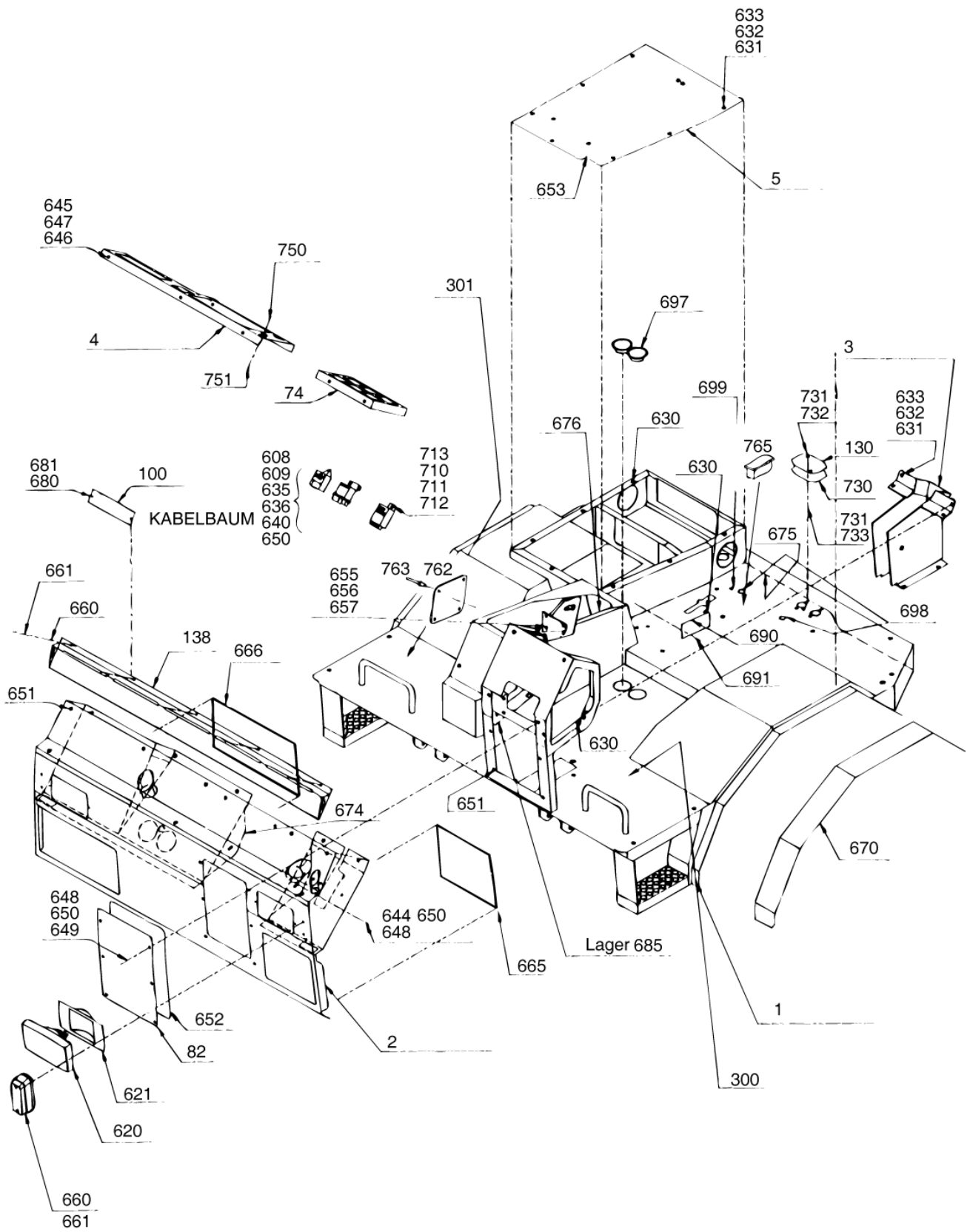
Item no.	Article no.	Description	Quantity
1	028822	HOT WATER HOSE	1
2	028822	HOT WATER HOSE	1
3	030720	HOSE CLAMP	2
4	027314	HOSE NOZZLE	1
5	014771	GASKET RING	1
6	030720	HOSE CLAMP	2



Bildtafel - table - 182

Multi-digital-182.ai 29.03.01

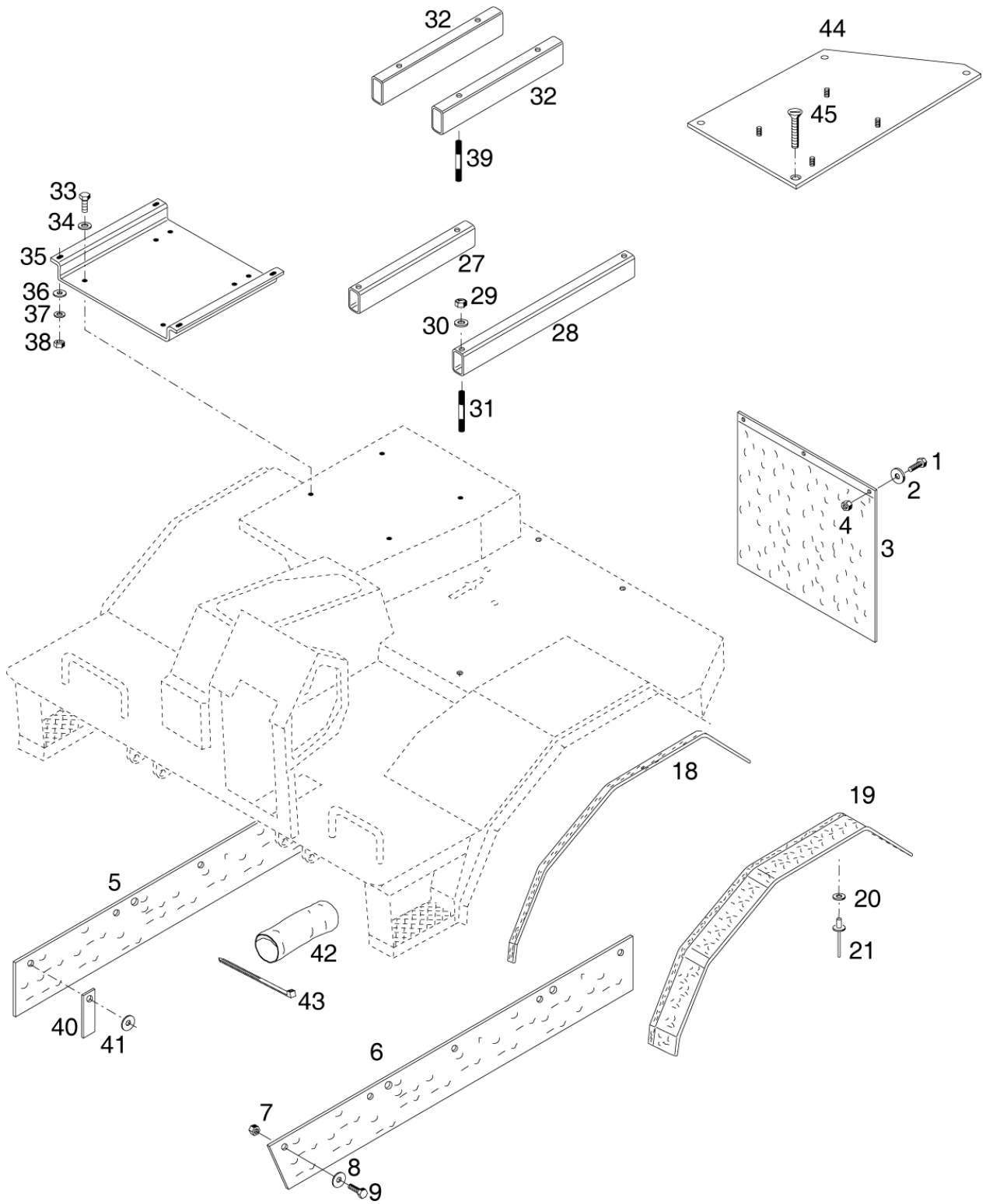
Item no.	Article no.	Description	Quantity
1	799545	799545	1
2	799546	FRONTPLATE	1
3	799547	799547	1
4	799548	COVER RIGHT	1
5	799549	799549	1
74	799550	COVER LEFT	1
82	799551	COVER PANEL	1
100	799552	COVER PANEL	1
101	137345	RETROFIT SCOPE	1
130	799553	COVER PANEL	1
138	137182	AIR DIFFUSER	1
139	029190	029190	1
300	799554	799554	1
301	799555	799555	1
302	799556	799556	1
608	799465	799465	1
609	799466	799466	1
620	796876	HEAD LIGHT WITH POSITION LIGHT	2
620.1	012032	BULB FOR MOTOR VEHICLE	2
621	799467	799467	2
630	799471	799471	12
631	799472	799472	15
632	011514	6-HEAD SCREW	15
633	011140	SPRING RING	15
635	799473	799473	1
636	799474	799474	1
640	799557	799557	4
644	010464	SHIM	7
645	796872	796872	10
646	799476	SHIM	10
647	799477	799477	14
648	799478	799478	22
649	799444	SHIM	14
650	011139	SPRING RING	14
651	799490	799490	24
652	789326	RUBBER PRESSURE TAPE	1
653	789326	RUBBER PRESSURE TAPE	1
655	011514	6-HEAD SCREW	1
656	011935	6-HEAD NUT	1
657	010044	SHIM	2
660	797012	TURN SIGNAL	2
661	029230	029230	2
665	786508	786508	1
666	786509	WINDOW	1
670	796430	796430	2
674	799558	799558	2
675	799559	799559	1
676	789135	SEALING PROFILE	1
680	799488	799488	4
681	799489	SEALING CAP	4
685	797237	SLEEVE	2



Bildtafel - table - 182

Multi-digital-182.ai 29.03.01

Item no.	Article no.	Description	Quantity
690	799560	799560	1
691	799430	799430	2
697	799561	799561	2
698	799494	799494	2
699	799562	799562	1
710	011503	6-HEAD SCREW	4
711	011749	SHIM	8
712	011683	6-HEAD NUT	4
713	799428	799428	4
730	799500	RUBBER	1
731	799478	799478	2
732	011749	SHIM	4
733	011683	6-HEAD NUT	2
750	796603	SPIRAL CABLE HOLDER	1
751	799502	SHIM	1
760	028910	SCREW	5
761	028911	PLASTIC CAP	5
762	135822	+NAME PLATE	1
763	016638	BLANK RIVET	4
765	021859	SQUARE PLUG	1



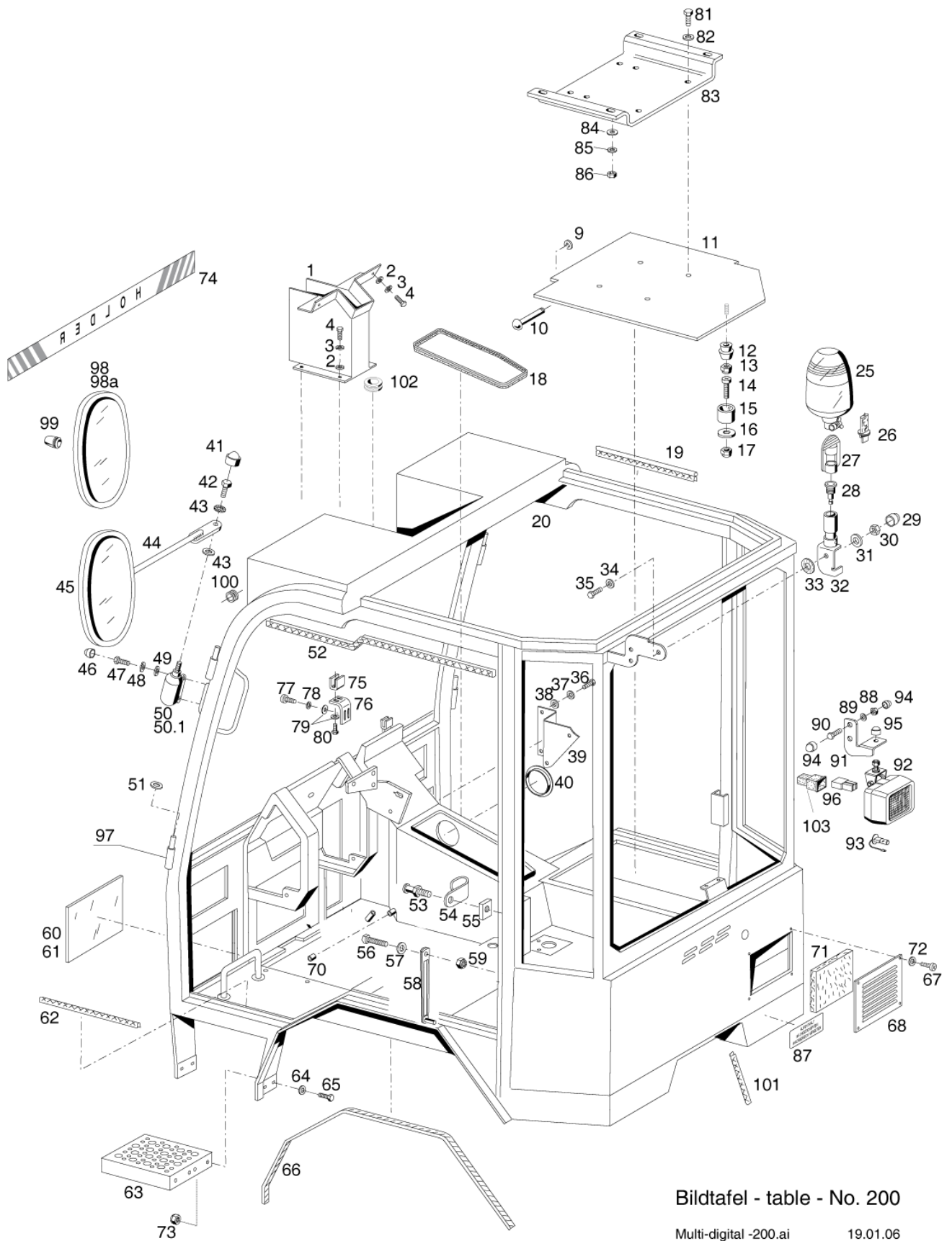
Bildtafel - table - No. 184

Multi-digital-184.ai

29.05.02

Item no.	Article no.	Description	Quantity
1	011503	6-HEAD SCREW	6
2	011749	SHIM	6
3	135434	DIRT TRAP	2
4	011683	6-HEAD NUT	6
5	136286	SPRAY PLAPS RIGHT	1
6	136287	SPRAY PLAPS LEFT	1
7	011683	6-HEAD NUT	12
8	010464	SHIM	12
9	011503	6-HEAD SCREW	9
18	028866	EDGE PROTECTION	2
19	139415	FENDER EXTENSION	2
20	023819	SHIM	10
21	016638	BLANK RIVET	10
27	136282	SEAT PAD RIGHT	1
28	136283	SEAT PAD LEFT	1
29	011935	6-HEAD NUT	4
30	010063	SPRING WASHER	4
31	011617	STUD SCREW	4
32	137650	SPACER DISC	2
33	011509	6-HEAD SCREW	4
34	010063	SPRING WASHER	4
35	137648	SEAT CARRIER	1
36	010044	SHIM	4
37	010063	SPRING WASHER	4
38	011579	6-HEAD NUT	4
39	029360	+ STUD BOLT	4
40	019661	ANGLE BRACKET	3
41	010464	SHIM	3
42	139399	INDUSTRIAL HOSE	1
43	027250	CABLE BAND	2
43.1	143278	+ADAPTER PLATE COMPL.(SEAT C300)	1
44	138376	ADAPTER PLATE SEAT	1
45	030113	+COUNTERSUNK SCREW	1

Item no.	Article no.	Description	Quantity
1340	800827	KBF CABIN, FRAME, MIRROR, WORKING SPOTLIGHT, C300	1
1350	800828	KFB CABIN, WINDSHIELD; WINDSHIELD WIPERS, C300	1
1360	800829	CABIN KFB, STEERING COVER, COVERING, RADIO	1
1370	800830	KFB CABIN, ROOF, HEATING, WATER TANK	1
1380	800831	KFB CABIN, DOORS, REAR WINDOW	1
1390	800832	KFB CABIN, HEATER HOSE, C300	1
1400	800833	KFB CABIN, DIRT TRAP, C300	1
1410	800834	AIR CONDITIONING, COMPRESSOR, HOSE, TILL 02/08	1
1420	800835	AIR CONDITIONING, COMPRESSOR, HOSE, AS OF 02/08	1

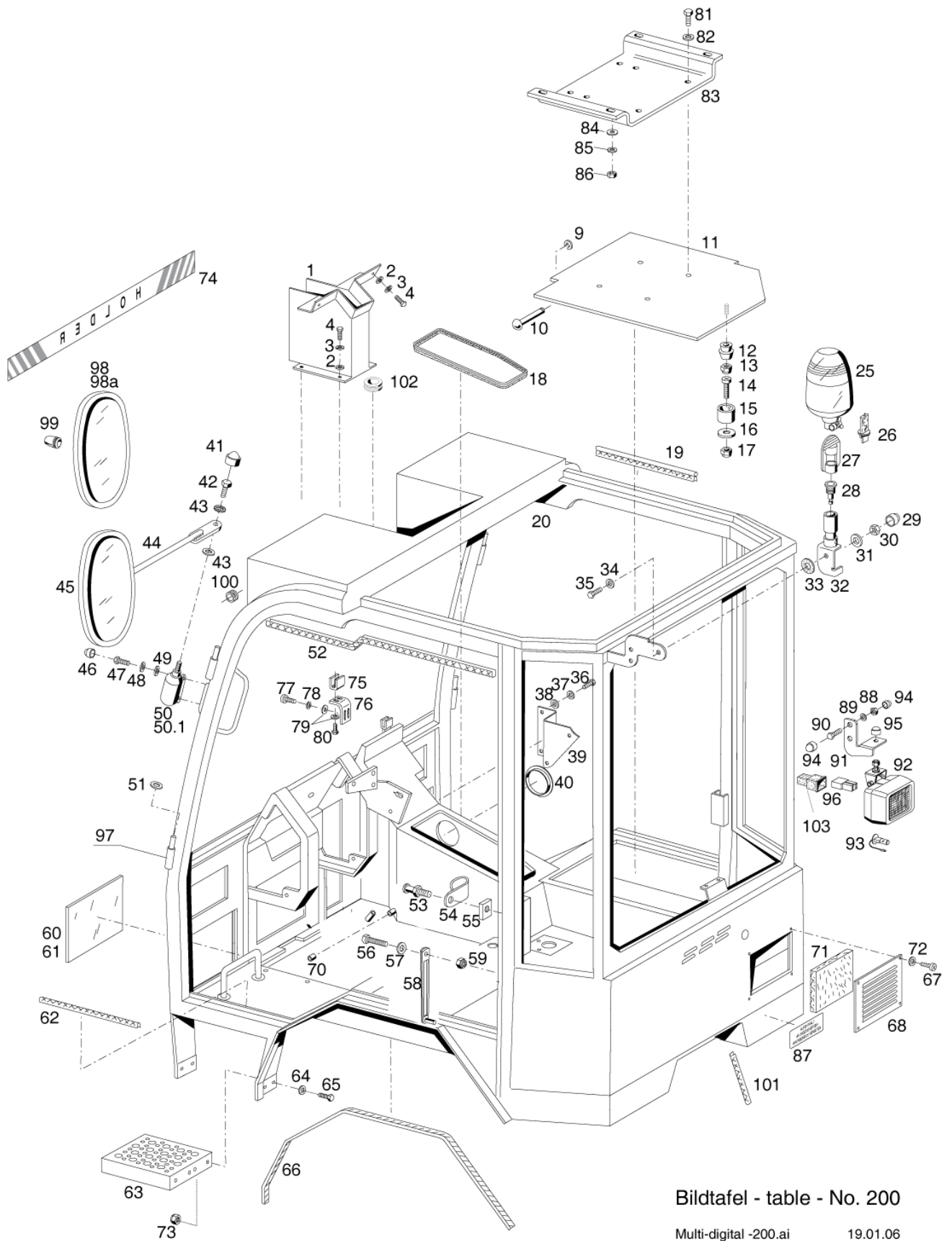


Bildtafel - table - No. 200

Multi-digital -200.ai

19.01.06

Item no.	Article no.	Description	Quantity
1	799564	CABLE CHANNEL	1
2	010044	SHIM	8
3	011140	SPRING RING	8
4	011514	6-HEAD SCREW	8
9	795775	LOCKING TAB	2
10	789184	HINGE PIN C60	2
11	797525	COVER	1
13	011683	6-HEAD NUT	1
12	799605	799605	1
14	795912	LENS HEAD SCREW	1
15	791104	BUFFERS	1
16	010464	SHIM	1
17	011683	6-HEAD NUT	1
18	799568	799568	1
19	799606	799606	1
20	799607	799607	1
21	027888	Rotating beacon	1
25	027952	LIGHTING HOOD YELLOW WITH OPTICS	1
26	025426	BULB FOR MOTOR VEHICLE	1
27	792056	RUBBER PROTECTION CAP	1
28	791606	PLUG FOR ROTATING BEACON	1
29	023241	BONNET	4
30	011935	6-HEAD NUT	1
31	010044	SHIM	2
32	796993	RKL-HOLDER	1
33	799008	SHIM	1
34	010044	SHIM	1
35	011514	6-HEAD SCREW	1
36	795912	LENS HEAD SCREW	4
37	011139	SPRING RING	4
38	010887	SHIM	4
39	799608	799608	1
40	023251	SEALING COVER	1
41	023241	BONNET	2
42	011509	6-HEAD SCREW	2
43	010327	TOOTHED LOCK WASHER	4
44	796839	MIRROR MOUNTING	2
45	791247	MIRROR	2
46	023241	BONNET	4
47	011509	6-HEAD SCREW	4
48	011140	SPRING RING	4
49	010044	SHIM	4
50	796919	FIXTURE	1
50.1	796920	GRID HOLDER RIGHT	1
51	789070	MS-RING 100 MM	1
52	018816	EDGE PROTECTION	2
53	796984	COTTER BOLT	2
54	796983	DEFLECTOR BAR	2
55	797520	THREADED PLATE	2
56	011517	6-HEAD SCREW	2
57	010044	SHIM	2

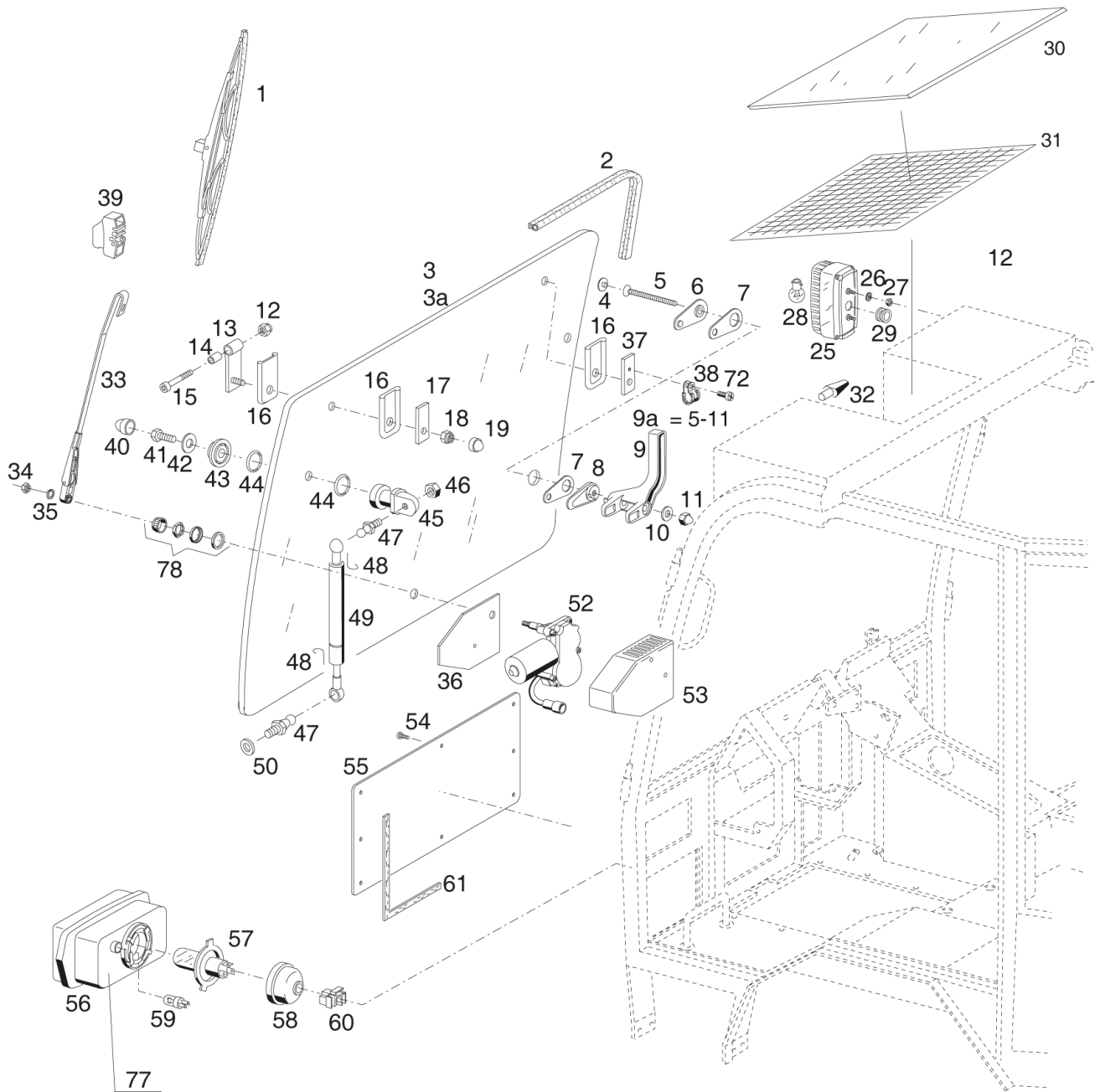


Bildtafel - table - No. 200

Multi-digital -200.ai

19.01.06

Item no.	Article no.	Description	Quantity
58	796961	CLEARANCE HOLDER	1
59	011935	6-HEAD NUT	2
60	797042	SMALL CAB WINDOW, LEFT C300	1
61	797076	STEM WINDOW RIGHT	1
62	018816	EDGE PROTECTION	2
63	797035	ASCENT STEP	2
64	012537	SHIM	8
65	011511	6-HEAD SCREW	8
66	028866	EDGE PROTECTION	1
67	013913	SLOTHEAD SCREW	4
68	797236	COVER C300	1
70	799609	BEARING BUSH	1
71	796996	FILTER MAT	1
72	010885	SHIM	1
73	011935	6-HEAD NUT	4
74	139242	NAME PLATE HOLDER	1
75	796991	LIMIT STOP	1
76	796992	ANGLE	1
77	795912	LENS HEAD SCREW	2
78	011139	SPRING RING	2
79	011749	SHIM	2
80	011502	6-HEAD SCREW	2
81	011509	6-HEAD SCREW	4
82	010063	SPRING WASHER	4
83	137648	SEAT CARRIER	1
84	010044	SHIM	4
85	010063	SPRING WASHER	4
86	011579	6-HEAD NUT	4
87	022916	ADHESIVE PICTURE	1
87.1	143052	WORKING SPOTLIGHT REAR	1
88	011579	6-HEAD NUT	2
89	010063	SPRING WASHER	2
90	011511	6-HEAD SCREW	2
91	139803	HOLDER	1
92	023683	WORKING SPOTLIGHT	1
93	030074	BULB FOR MOTOR VEHICLE	1
94	023241	BONNET	4
95	027089	BONNET	1
96	030570	RECEPTACLE HOUSING 2-POLE	1
97	797145	WELD ROLL BAND	4
97.1	134597	EQUIPMENT HEATABLE EXTERIOR MIRROR	2
98	134598	+HEATABLE OUTSIDE MIRROR	2
98a	141334	EXTERIOR MIRROR HEATABLE	2
99	028462	+GROMMET F. HEATABLE OUTSIDE MIRROR	2
100	014775	GROMMET	2
101	018816	EDGE PROTECTION	2
102	031129	NOZZLE BORE.21	1
103	030819	RUBBER CAP	1

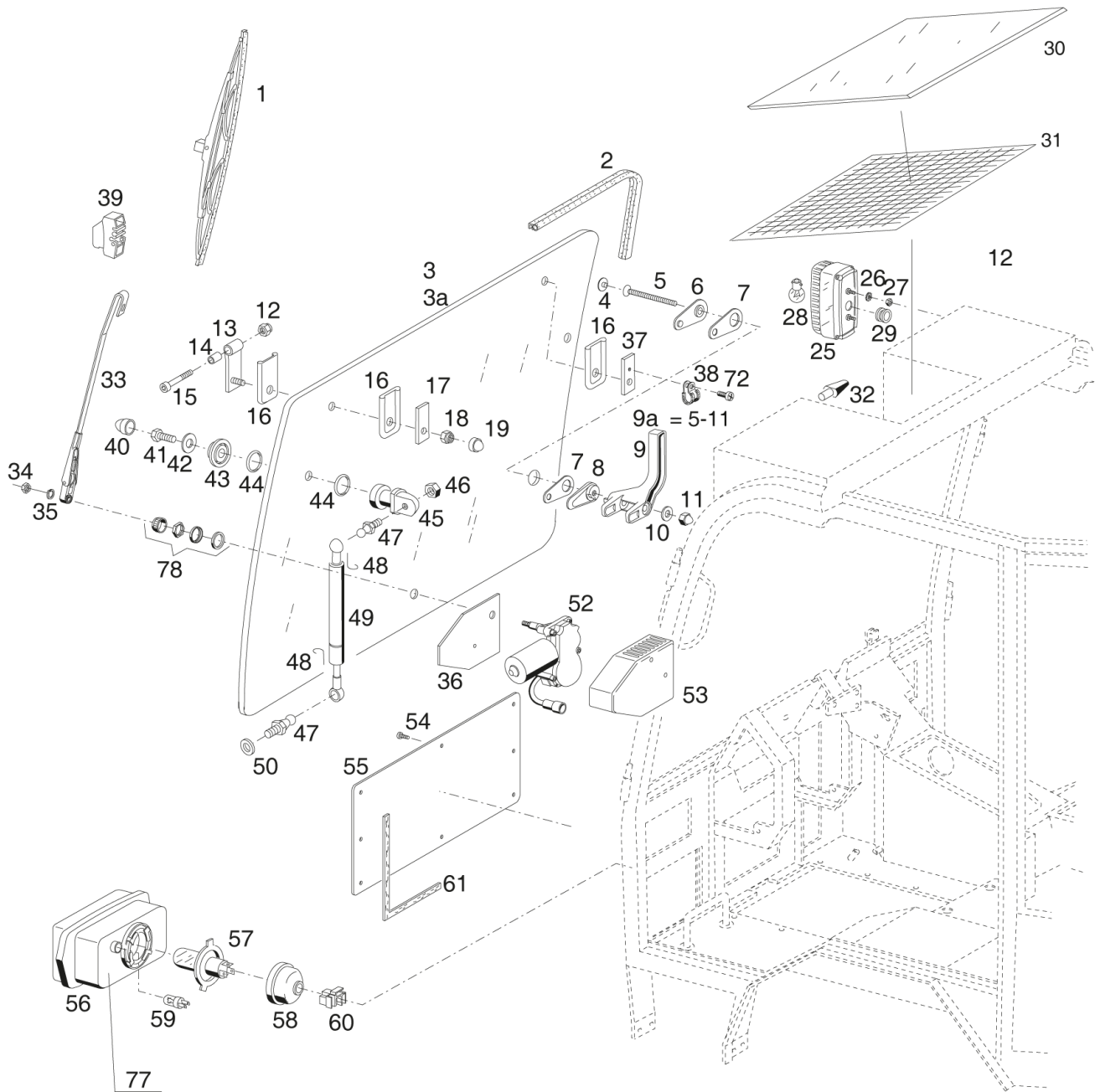


Bildtafel - table - No. 202

Multi-digital-202.ai

16.12.2015

Item no.	Article no.	Description	Quantity
1	790938	WIPER BLADE	1
2	790772	CLAMPING PROFILE	3,9
3	796830	+WINDSCREEN C300	1
3a	797164	VENT WINDOW PANE C300	1
4	791320	PLUG	1
5	789425	COUNTERSUNK SCREW	1
6	791317	SHIM	1
7	791315	BASE	2
8	791316	SHIM	1
9	791318	TOGGLE	1
9a	801833	801833	1
10	010046	SHIM	1
11	789430	CAP NUT	1
12	011935	6-HEAD NUT	2
13	790132	HINGE	2
14	790554	BUSH	2
15	011867	INNER-6-HEAD SCREW	2
16	791319	HINGE SUPPORT	4
17	790123	PLATE	1
18	011935	6-HEAD NUT	2
19	023241	BONNET	2
25	797012	TURN SIGNAL	2
26	010061	SPRING WASHER	4
27	011576	6-HEAD NUT	4
28	012032	BULB FOR MOTOR VEHICLE	2
29	014775	GROMMET	2
30	797544	ROOF WINDOW	1
31	797483	SUN SHADE C300	1
32	797075	SPRAYING NOZZLE	1
33	796848	WIPER ARM SHORTENED C300	1
34	011579	6-HEAD NUT	2
35	011140	SPRING RING	2
36	797710	WIPER MOTOR COVER C300	1
37	797993	HINGE SUPPORT C300	1
38	799610	799610	1
39	791197	ADAPTER	1
40	023241	BONNET	2
41	011511	6-HEAD SCREW	2
42	012537	SHIM	2
43	790780	SHIM	2
44	790781	790781	4
45	790779	HOLDER	2
46	011579	6-HEAD NUT	2
47	025892	BALL PIVOT	4
48	023574	SAFETY CATCH	4
49	797231	GAS SPRING	2
50	790353	LOCKING TAB	2
52	796837	Wiper motor	1
53	797711	+TRIM HOUSING C300	1
54	013913	SLOT HEAD SCREW	6
55	797639	CAP ON FRONT WALL	1

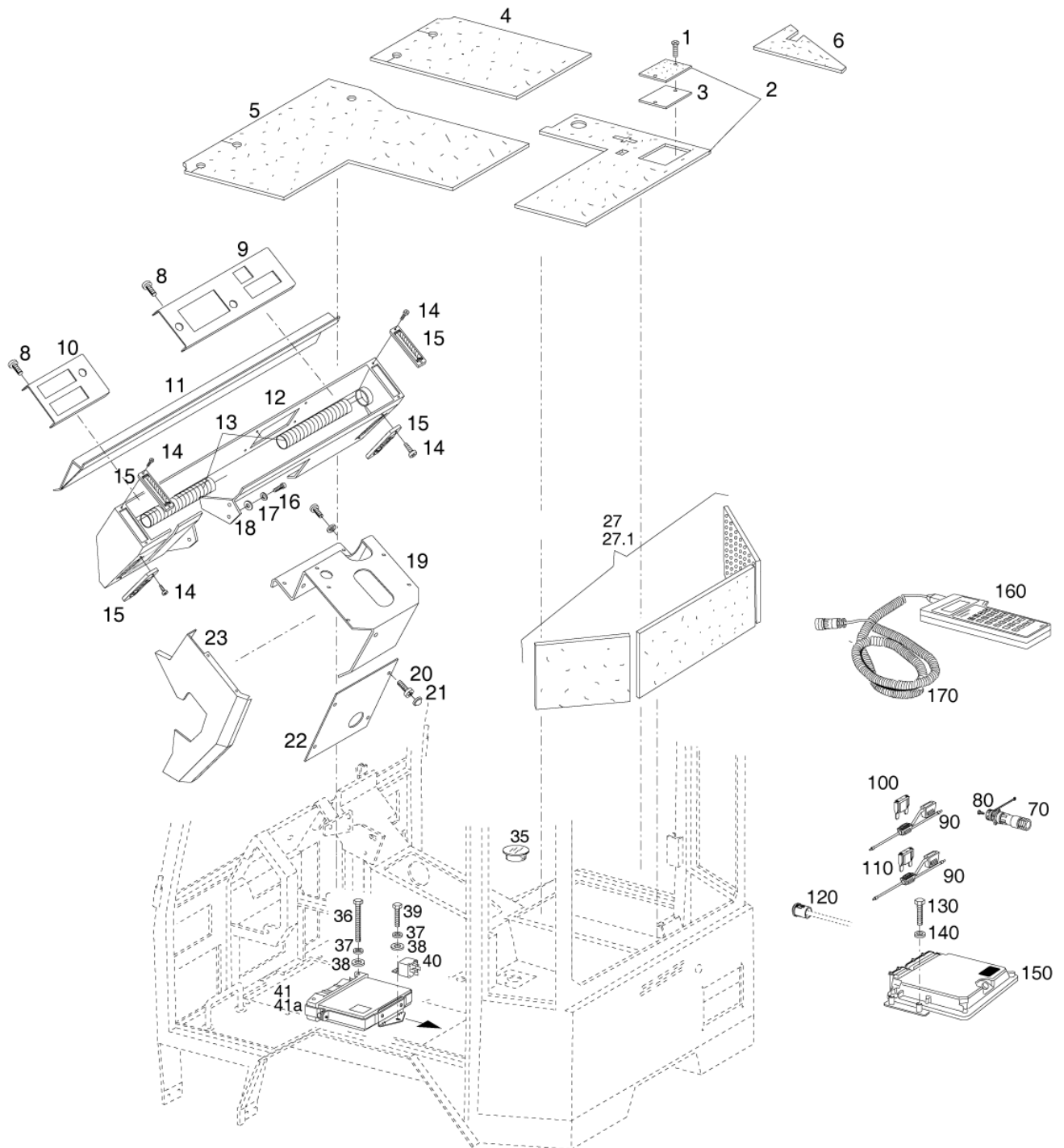


Bildtafel - table - No. 202

Multi-digital-202.ai

16.12.2015

Item no.	Article no.	Description	Quantity
56	796876	HEAD LIGHT WITH POSITION LIGHT	4
57	025816	BULB FOR MOTOR VEHICLE	4
58	798079	DUST COVER RED	4
59	029230	029230	4
60	797783	RECEPTACLE HOUSING	4
61	797526	SEAL TAPE	1
72	010453	SLOTHEAD SCREW	1
77	797016	RUBBER HOUSING	1
78	801263	MOUNTING KIT WINDSCREEN WIPER ARM	1

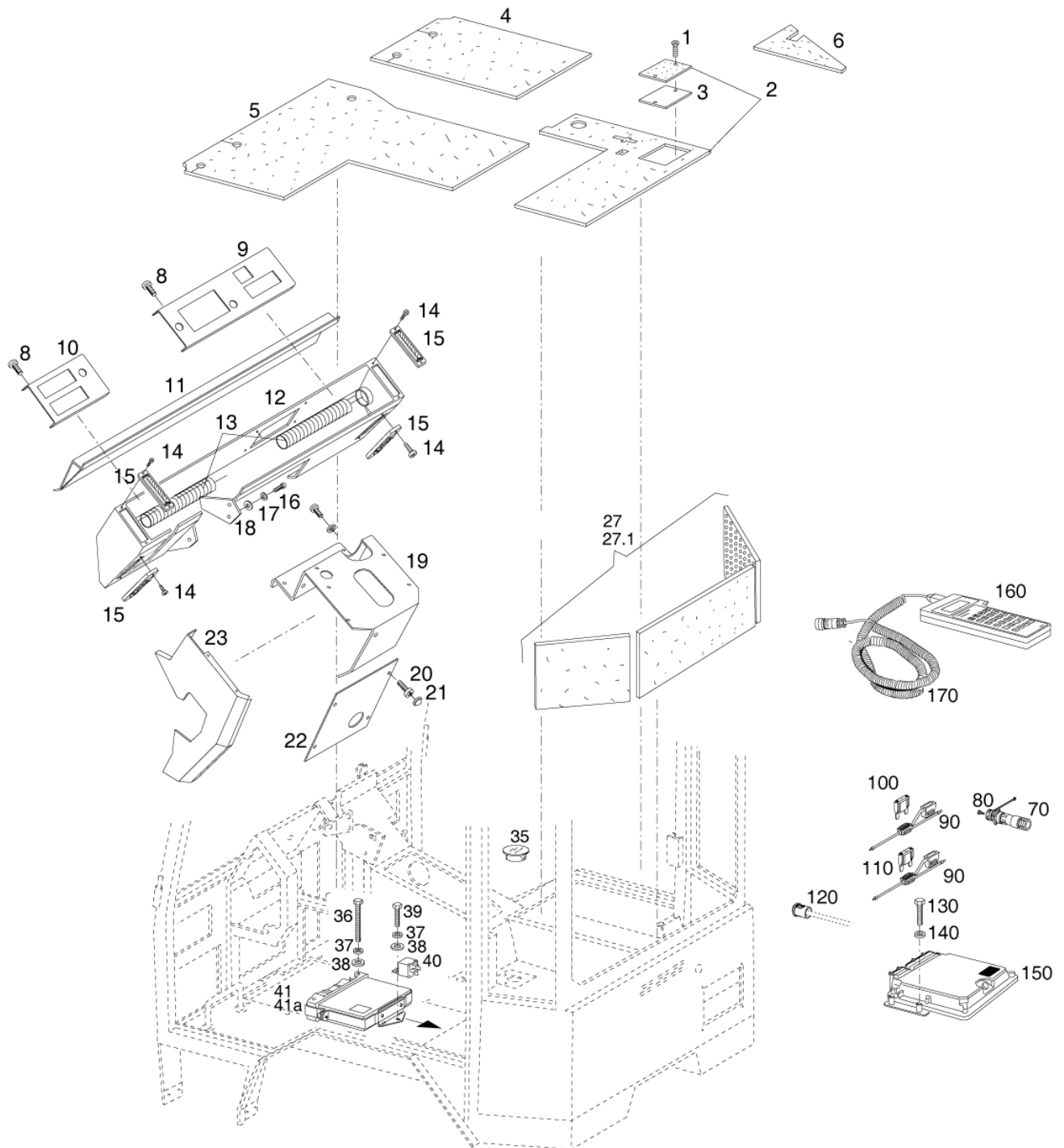


Bildtafel - table - No. 204

Multi-digital-204.ai

29.05.07

Item no.	Article no.	Description	Quantity
1	011201	011201	1
2	797468	FLOOR MAT (f. SEAT CONSOLE LEFT)C300	1
3	799575	799575	1
4	797469	FLOOR MAT (FRONT RIGHT) C300	1
5	797261	FLOOR MAT (f. FOOT SPACE LEFT)C300	1
6	799611	799611	1
8	795912	LENS HEAD SCREW	8
9	799612	DASH BOARD	1
10	799613	DASH BOARD	1
11	799614	799614	1
12	799615	INSTRUMENT PANEL	1
13	799616	799616	1
14	799579	799579	8
15	131664	SPINDLE NOZZLE	4
16	795912	LENS HEAD SCREW	6
17	011139	SPRING RING	6
18	010464	SHIM	6
19	799580	STEERING COVER	1
20	028910	SCREW	10
21	028911	PLASTIC CAP	10
22	799581	BACK BOARD	1
23	799582	HOLE WALL	1
27	798408	FOAM MATERIAL C300	1
27.1	798409	SYNTHETIC LEATHER COVER C300	1
35	799583	799583	2
36	022975	6-HEAD SCREW	2
37	011742	SPRING WASHER	3
38	010464	SHIM	3
39	011158	6-HEAD SCREW	1
40	027135	CHANGEVER RELAIS WITHOUT EXTINGUISHING DIODE	1
41	137984	ELECTRONIC BOX CPL.	1
41a	145763	ELECTRONIC BOX	1
70	799584	DIAGNOSTIC PLUG	1
80	010450	FILISTER SHEET METALL SCREW	2
90	031315	FUSE HOLDER WITH COVER	2
100	030126	FLAT BLADE FUSE	1
110	026049	FLAT BLADE FUSE	1
120	031330	ERROR LAMP	1
130	011888	Screw	2
140	011742	SPRING WASHER	2
150	148283	-ELECTRONICS BOX COMPL. C245/345	1
150.1	140352	BODEM 24 with USB CONNECTION	1
150.2	140353	BODEM PC CONNECTION CABLE	1
160	138349	ELECTRONIC BOX	1
170	138350	CONNECTING CABLE	1
180	118423	radio	1
190	023673	radio with cassette deck	1
200	023674	BUILT-IN LOUDSPEAKER	1
210	023675	ANTENNA	1
220	012018	LUSTRE CLAMP	1
230	023676	PUSH-ON CONTACT	1



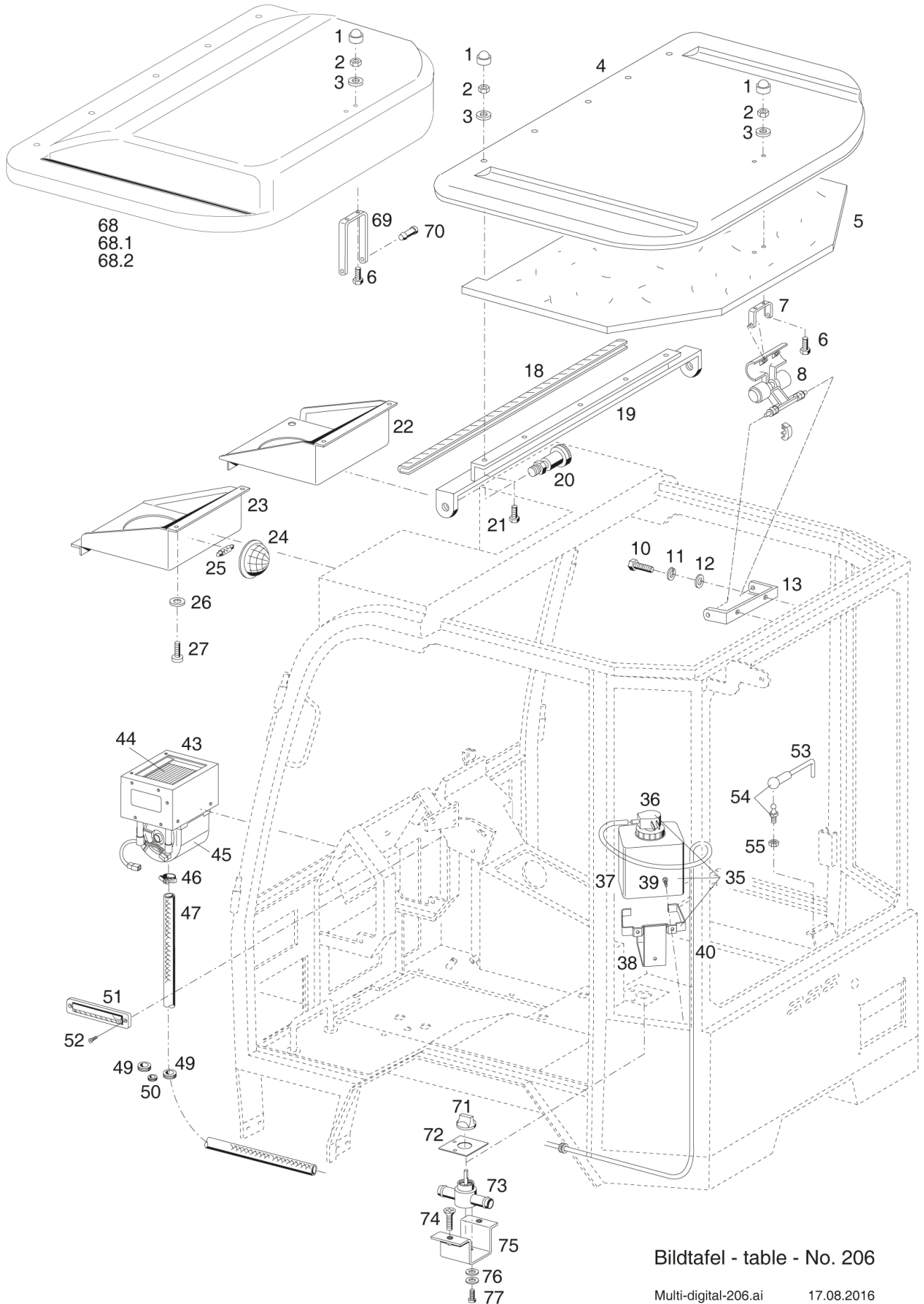
Bildtafel - table - No. 204

Multi-digital-204.ai

29.05.07

Item no.	Article no.	Description	Quantity
240	023677	PUSH-ON CONTACT	1
250	023678	CABLE ASS. RED	1
260	023679	CABLE ASS. RED	1
270	023680	CABLE ASS. BROWN	1
280	011576	6-HEAD NUT	1
290	010061	SPRING WASHER	1
300	122058	CALELE	1
310	149106	RADIO INSTALLATION KIT WITH CD-PLAYER	1
320	031126	RADIO WITH CD-PLAYER	1
330	023674	BUILT-IN LOUDSPEAKER	1
340	023675	ANTENNA	1
350	012018	LUSTRE CLAMP	1
360	023676	PUSH-ON CONTACT	1
370	023677	PUSH-ON CONTACT	1
380	011576	6-HEAD NUT	1
390	010061	SPRING WASHER	1
400	149581	149581	1
410	797729	ADAPTER FOR RADIO	1
420	023674	BUILT-IN LOUDSPEAKER	1
430	023675	ANTENNA	1
440	012018	LUSTRE CLAMP	1
450	023676	PUSH-ON CONTACT	1
460	023677	PUSH-ON CONTACT	1
470	011576	6-HEAD NUT	1
480	010061	SPRING WASHER	1

60 =1-3, 18-21, 68 u. 69



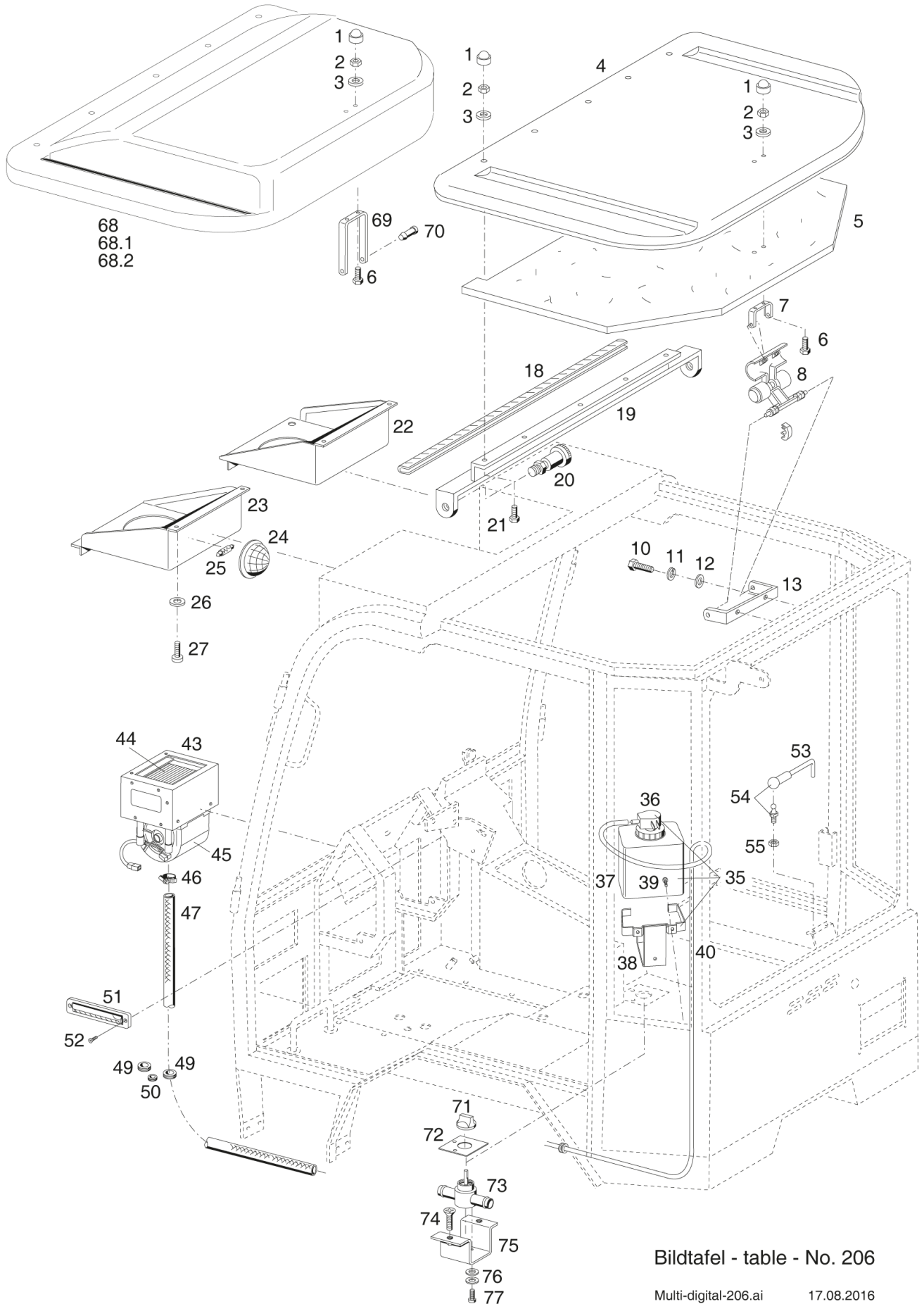
Bildtafel - table - No. 206

Multi-digital-206.ai

17.08.2016

Item no.	Article no.	Description	Quantity
1	131941	BONNET	8
2	011683	6-HEAD NUT	8
3	798596	798596	8
4	797013	hook-out roof	1
5	142319	ROOF INSULATION GREY ME. C300	1
6	011159	6-HEAD SCREW	7
7	797046	HOLDER	1
8	791335	HANDLE	1
10	011159	6-HEAD SCREW	2
11	011139	SPRING RING	2
12	010464	SHIM	2
13	790127	STIRRUP	1
18	028866	EDGE PROTECTION	1
19	797224	Z-PROFILE C300	1
20	796962	DETENT PIN	2
21	011159	6-HEAD SCREW	4
22	797287	ROOF BOX RIGHT	1
23	797302	ROOF BOX LEFT	1
24	797570	INTERIOR LIGHT	1
25	012028	BULB FOR MOTOR VEHICLE	1
26	790432	Protection screen	8
27	790327	Lenticular plate screw	8
35	791136	WATER TANK	1
36	103283	103283	1
37	197306	197306	1
38	790988	790988	1
39	011666	COUNTERSUNK SCREW	2
40	799617	799617	1
43	796878	HEATER 12 VOLT C300	1
44	799618	799618	1
45	796913	BLOWER	1
46	799602	799602	1
47	799627	799627	1
49	799603	799603	1
50	790992	CABLE SLEEVE	1
51	795904	FILISTER SHEET METALL SCREW	1
52	131664	SPINDLE NOZZLE	1
53	797087	BRACKET	1
54	797088	ANGLE JOINT	1
55	011579	6-HEAD NUT	1
60	144148	high roof	1
68	799619	799619	1
68.1	796941	+FOAM MATERIAL C200	1
68.2	799012	TISSUE GREW	1
69	798068	HOLDER FOR HIGH ROOF	1
70	797217	PLASTIC BOLT	2
71	796917	BUTON FOR HEATING VALVE	1
72	798569	INFORMATION SIGN	1
73	796918	CONTROL VALVE	1
74	023898	023898	2
75	797474	HOLDER	1

60 =1-3, 18-21, 68 u. 69

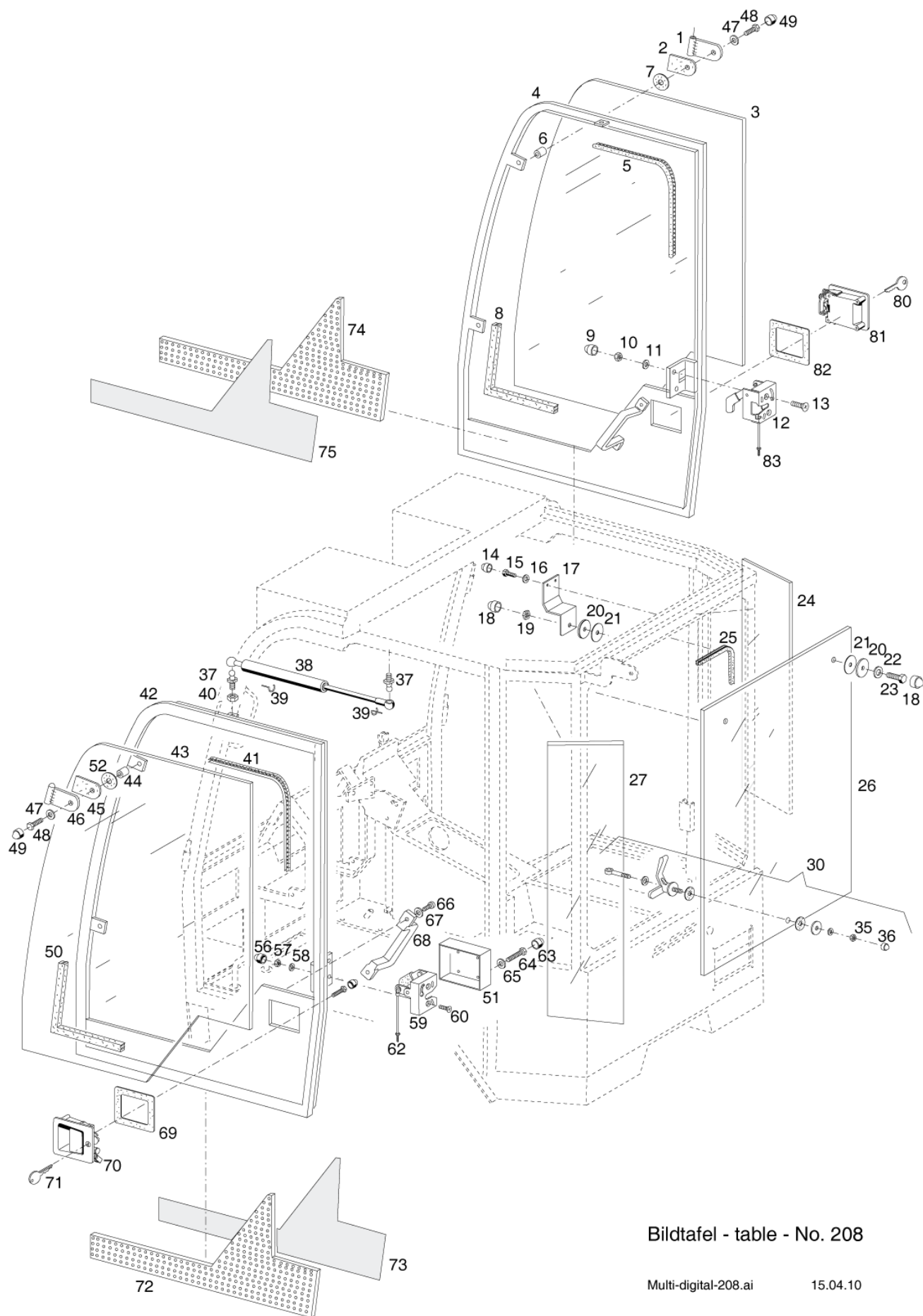


Bildtafel - table - No. 206

Multi-digital-206.ai

17.08.2016

Item no.	Article no.	Description	Quantity
76	795453	SPRING RING	4
77	010453	SLOTHEAD SCREW	2

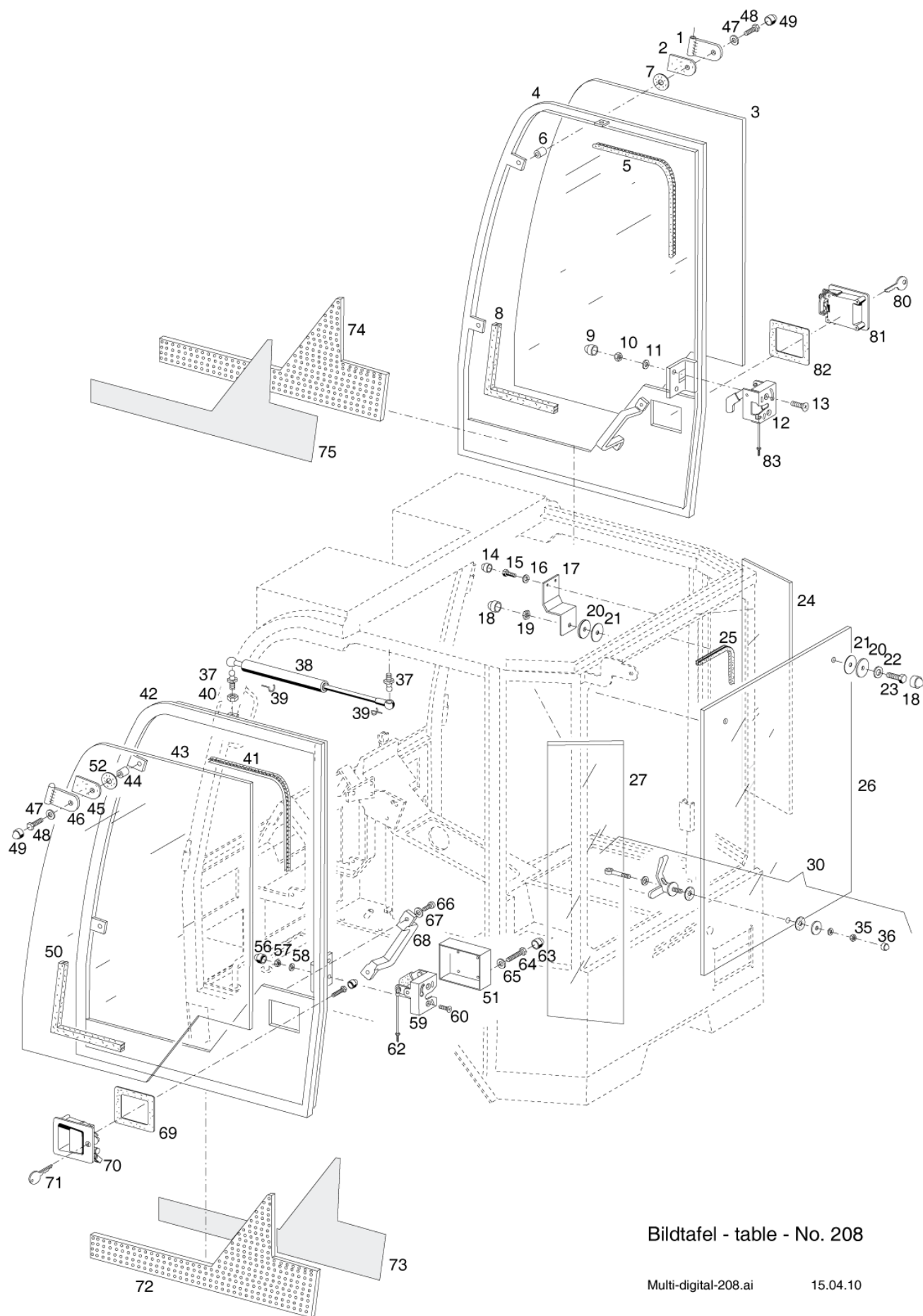


Bildtafel - table - No. 208

Multi-digital-208.ai

15.04.10

Item no.	Article no.	Description	Quantity
0	797108	DOOR RIGHT ASSY. C300	1
0a	797109	DOOR LEFT ASSY. C300	1
1	796922	+HINGE ASSY. LWR RIGHT	2
2	797045	UNDERLAY	2
3	796803	WINDOW	1
4	799591	799591	1
5	797040	RUBBER GASKET PROFILE	1
6	797044	SPACER SLEEVE	2
7	790812	RUBBER DISC	1
8	796989	SPONGE RUBBER C300	1
9	023241	BONNET	2
10	011935	6-HEAD NUT	2
11	011140	SPRING RING	2
12	797186	TURNING SLAM LOCK RIGHT	1
13	013917	COUNTERSUNK SOCKET SCREW	2
14	131941	BONNET	2
15	011157	6-HEAD SCREW	4
16	011139	SPRING RING	2
17	797205	+HOLDER C2/300	2
18	131941	BONNET	4
19	011579	6-HEAD NUT	2
20	797593	PLASTIC DISC	4
21	797594	WASHER	4
22	011140	SPRING RING	2
23	011518	6-HEAD SCREW	2
24	796988	REAR WINDOW RIGHT C300	1
25	797051	PROFILE	1
26	796997	REAR WINDOW C300	1
27	796987	Rear window glass left	1
30	797020	CLOSURE	1
35	011935	6-HEAD NUT	1
36	023241	BONNET	1
37	025892	BALL PIVOT	2
38	791253	GAS SPRING	1
39	023574	SAFETY CATCH	2
40	011579	6-HEAD NUT	1
41	797040	RUBBER GASKET PROFILE	1
42	799620	799620	1
43	796829	DOOR GLASS, LEFT C300	1
44	797044	SPACER SLEEVE	1
45	797045	UNDERLAY	1
46	796921	HINGE LEFT	2
47	012537	SHIM	4
48	011520	6-HEAD SCREW	4
49	023241	BONNET	2
50	796989	SPONGE RUBBER C300	1
51	797619	HOLDER	1
52	790812	RUBBER DISC	1
56	023241	BONNET	2
57	011935	6-HEAD NUT	2
58	011140	SPRING RING	2

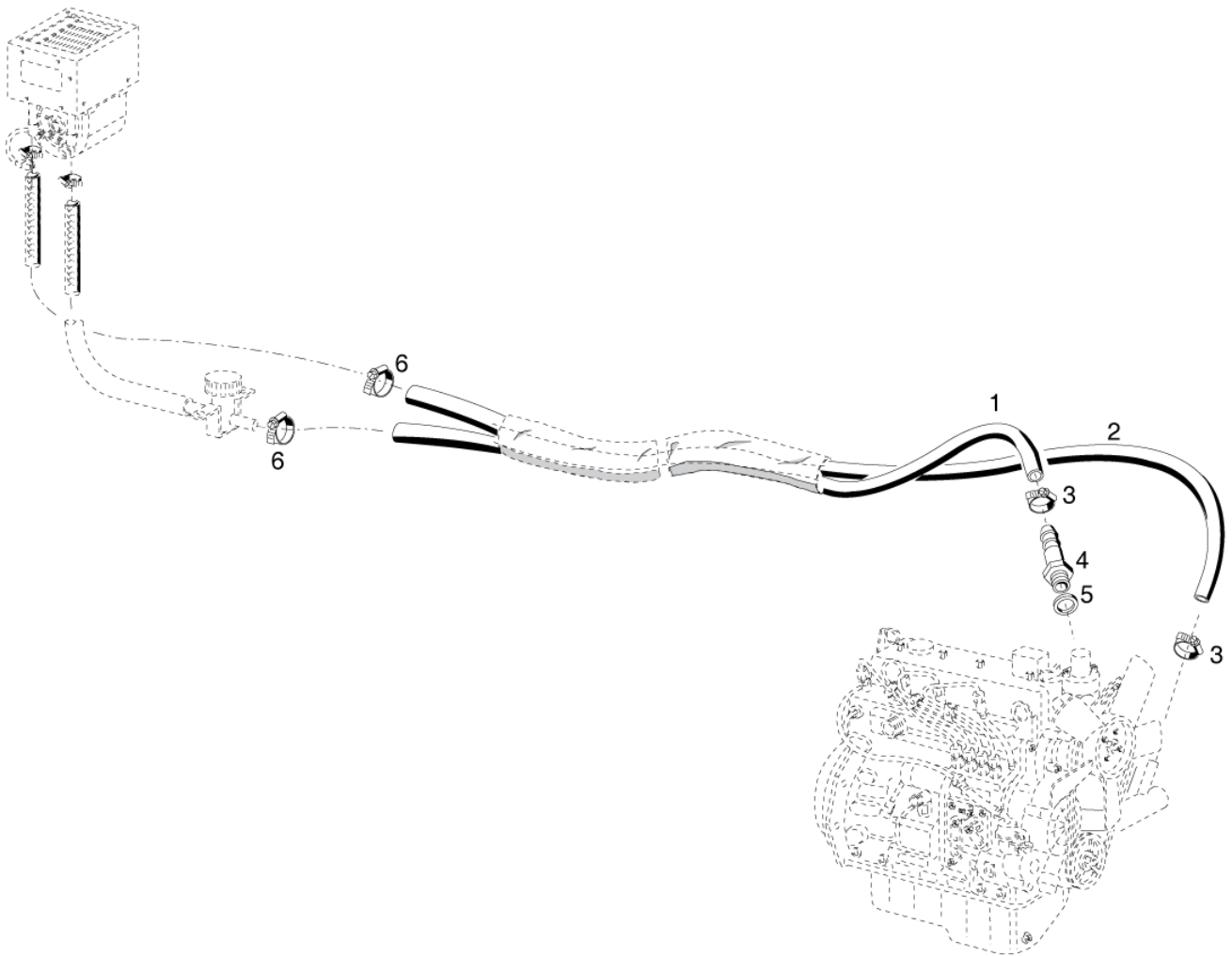


Bildtafel - table - No. 208

Multi-digital-208.ai

15.04.10

Item no.	Article no.	Description	Quantity
59	797181	TURNING SLAM LOCK LEFT	1
60	013917	COUNTERSUNK SOCKET SCREW	2
62	797434	ROD FOR ROTARY LATCH LOCK	1
63	131941	BONNET	4
64	024273	6-HEAD SCREW	4
65	010464	SHIM	4
66	025028	+PAN HEAD SHEET METAL SCREW	4
67	010463	SHIM	4
68	797201	DOOR HANDLE 421/22	1
69	797809	BASE FOR GRIP PLATE	1
70	797188	GRIP CAP	1
72	797155	DOOR TRIM, COMPL. C300	1
73	799621	799621	1
74	797155	DOOR TRIM, COMPL. C300	1
75	799622	799622	1
80	796886	DOOR KEY	2
81	797187	GRIP SLEEVE LEFT C300	1
82	797809	BASE FOR GRIP PLATE	1
83	797434	ROD FOR ROTARY LATCH LOCK	1

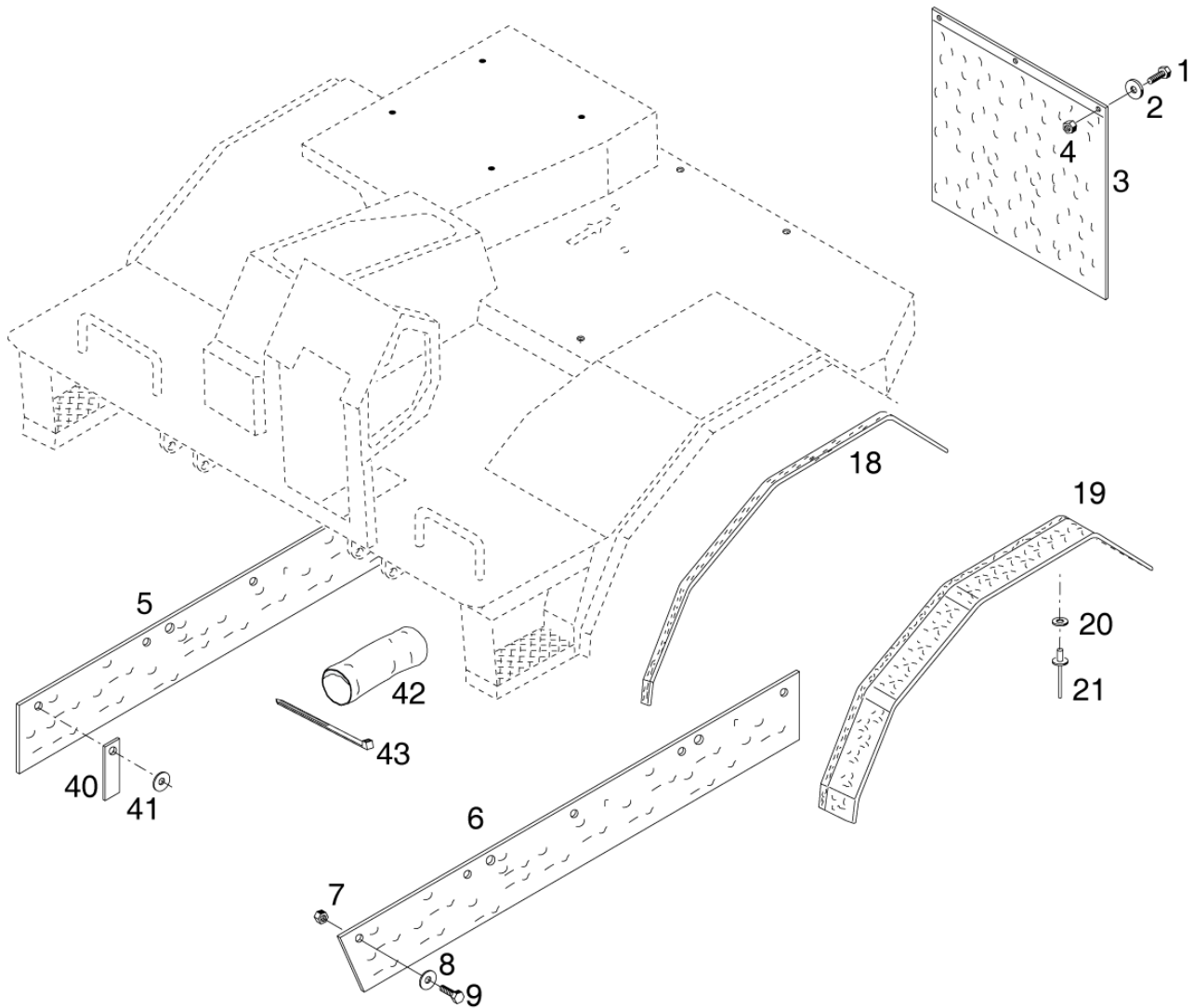


Bildtafel - table - No. 210

Multi-digital-210.ai

29.03.01

Item no.	Article no.	Description	Quantity
1	028822	HOT WATER HOSE	1
2	028822	HOT WATER HOSE	1
3	030720	HOSE CLAMP	2
4	027314	HOSE NOZZLE	1
5	014771	GASKET RING	1
6	030720	HOSE CLAMP	2

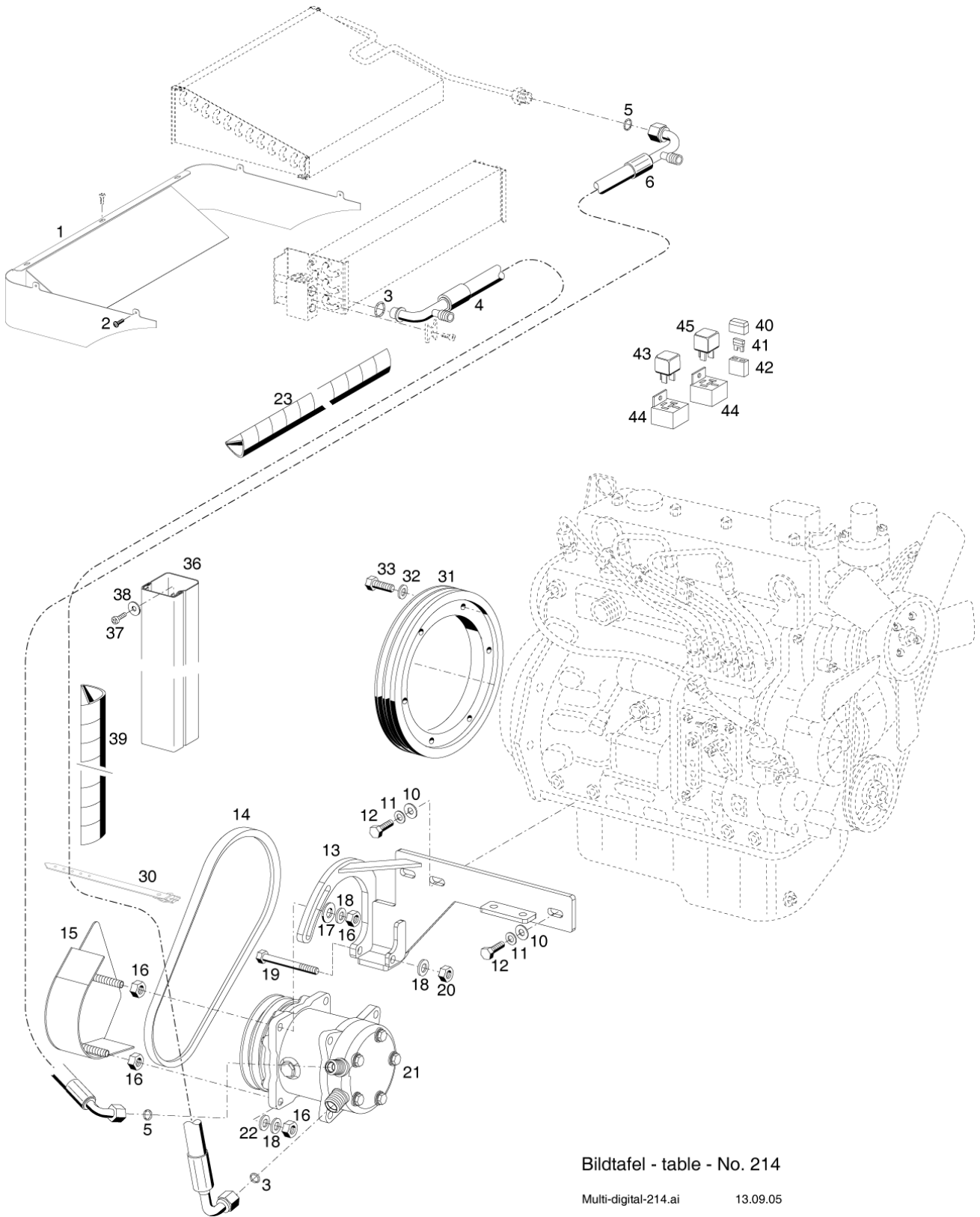


Bildtafel - table - No. 212

Multi-digital-212.ai

05.09.02

Item no.	Article no.	Description	Quantity
1	011503	6-HEAD SCREW	6
2	011749	SHIM	6
3	135434	DIRT TRAP	2
4	011683	6-HEAD NUT	6
5	136286	SPRAY PLAPS RIGHT	1
6	136287	SPRAY PLAPS LEFT	1
7	011683	6-HEAD NUT	12
8	010464	SHIM	12
9	011503	6-HEAD SCREW	9
18	028866	EDGE PROTECTION	2
19	139415	FENDER EXTENSION	2
20	023819	SHIM	10
21	016638	BLANK RIVET	10
40	019661	ANGLE BRACKET	2
41	010464	SHIM	3
42	139399	INDUSTRIAL HOSE	1
43	027250	CABLE BAND	2

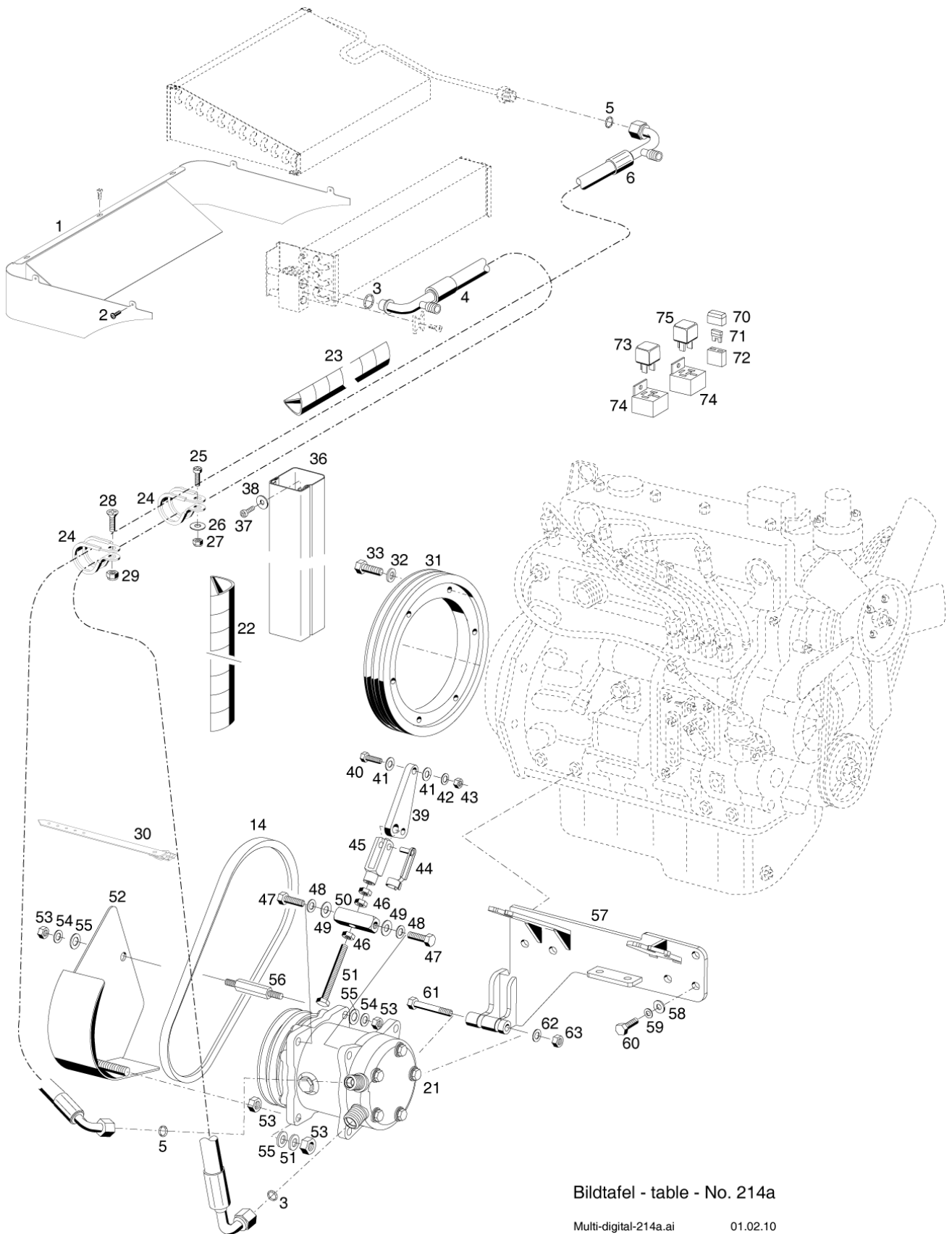


Bildtafel - table - No. 214

Multi-digital-214.ai

13.09.05

Item no.	Article no.	Description	Quantity
0	147660	air condition compl. C300	1
0a	144014	air conditioning system	1
1	147912	AIR CONDITIONER COVERING	1
2	028910	SCREW	4
3	797666	O-RING	2
4	799623	HOSE KIT 10X	1
5	797665	O-Ring	2
6	799624	HOSE SET	1
10	010046	SHIM	3
11	010064	SPRING WASHER	3
12	023768	6-HEAD SCREW	3
13	143838	HOLDER	1
14	797239	V-BELT	1
15	143950	BELT GUARD	1
16	011585	6-HEAD NUT	4
17	025055	SHIM	1
18	010064	SPRING WASHER	3
19	011111	6-HEAD SCREW	1
20	011585	6-HEAD NUT	1
21	143837	AIR CONDITIONING COMPRESSOR	1
22	010046	SHIM	1
23	799625	799625	1
30	027886	Belt	4
31	143004	2 GROOVE FLYWHEEL MASS	1
32	010063	SPRING WASHER	6
33	011173	6-HEAD SCREW	6
36	797920	CABLE CHANNEL C300	1
37	022632	FILISTER SHEET METALL SCREW	4
38	010463	SHIM	4
39	799626	799626	1
40	799596	799596	1
41	026667	FLAT BLADE FUSE	1
42	797734	Fuse holder	1
43	797878	Relais	1
44	031119	RELAY SOCKET	2
45	031118	RELAY DOUBLE MAKE CONTACT 12 V	1

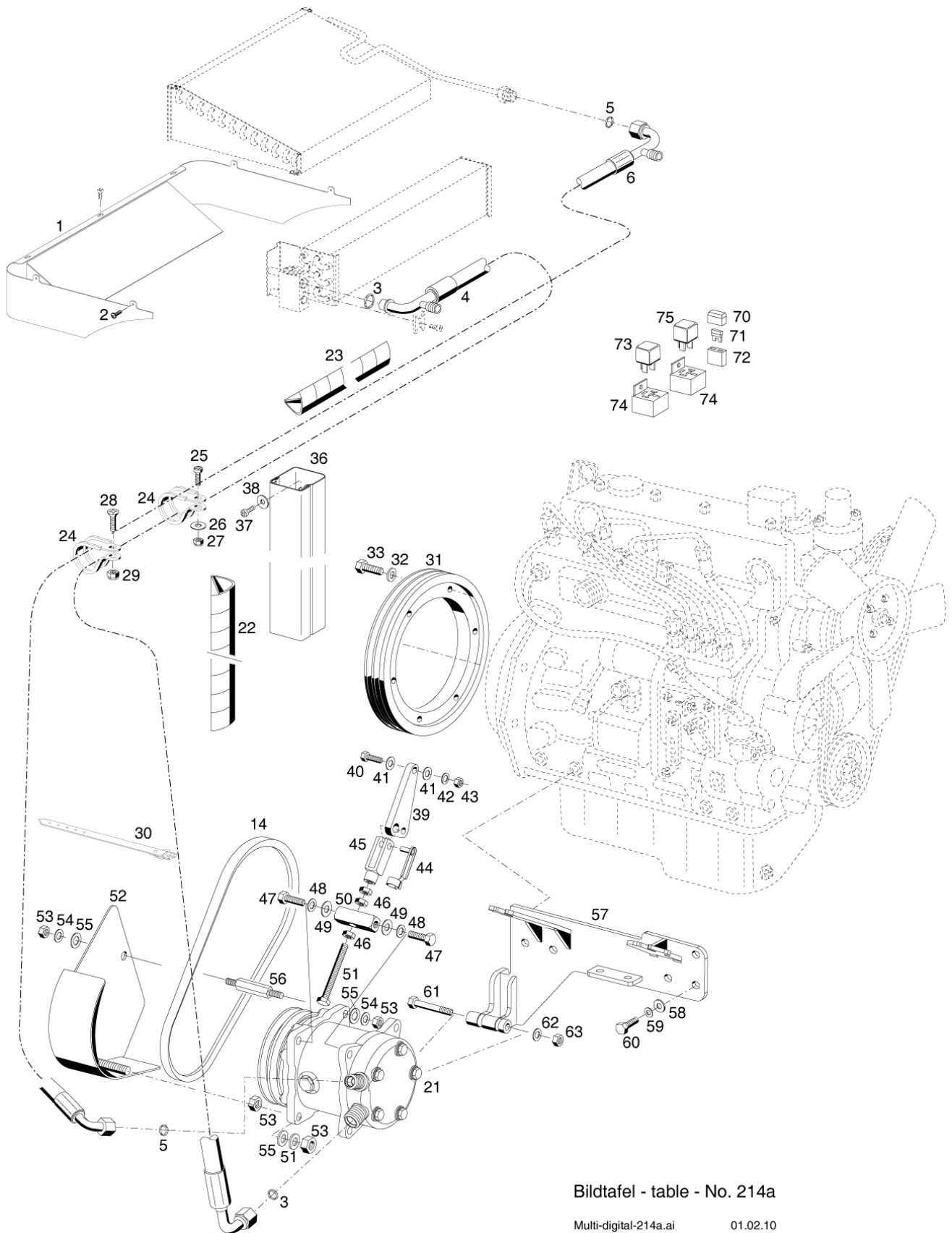


Bildtafel - table - No. 214a

Multi-digital-214a.ai

01.02.10

Item no.	Article no.	Description	Quantity
0	147660	air condition compl. C300	1
0a	144014	air conditioning system	1
1	147912	AIR CONDITIONER COVERING	1
2	028910	SCREW	4
3	797666	O-RING	2
4	799623	HOSE KIT 10X	1
5	797665	O-Ring	2
6	799624	HOSE SET	1
14	797239	V-BELT	1
21	143837	AIR CONDITIONING COMPRESSOR	1
22	799626	799626	1
23	799625	799625	1
24	025596	PIPE CLAMP WITH RUBBER PROFILE	2
25	023652	LENS HEAD SCREW	1
26	010464	SHIM	1
27	011683	6-HEAD NUT	1
28	011669	COUNTERSUNK SCREW	1
29	011935	6-HEAD NUT	1
30	027886	Belt	4
31	143004	2 GROOVE FLYWHEEL MASS	1
32	010063	SPRING WASHER	6
33	011173	6-HEAD SCREW	6
36	797920	CABLE CHANNEL C300	1
37	022632	FILISTER SHEET METALL SCREW	4
38	010463	SHIM	4
39	150439	COUNTERHOLDER	1
40	011520	6-HEAD SCREW	2
41	010044	SHIM	2
42	010063	SPRING WASHER	2
43	011579	6-HEAD NUT	2
44	025242	ES-BOLZEN	1
45	025227	FORK HEAD	1
46	011751	6-HEAD NUT	3
47	011525	6-HEAD SCREW	2
48	010064	SPRING WASHER	2
49	010046	SHIM	2
50	150530	CONNECTION	1
51	011902	6-HEAD SCREW	1
52	150523	BELT GUARD	1
53	011585	6-HEAD NUT	4
54	010064	SPRING WASHER	3
55	010046	SHIM	3
56	031333	6-HEAD DISTANCE	1
57	150441	COMPRESSOR BRACKET	1
58	010046	SHIM	5
59	010064	SPRING WASHER	5
60	023767	6-HEAD SCREW	5
61	011111	6-HEAD SCREW	1
62	010064	SPRING WASHER	1
63	011585	6-HEAD NUT	1
40	799596	799596	1



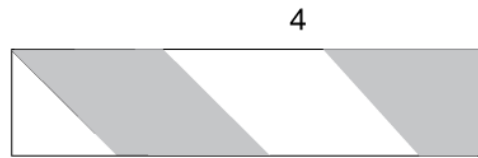
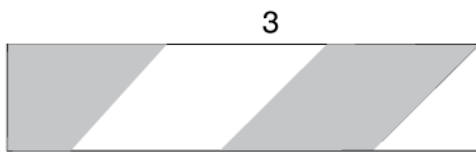
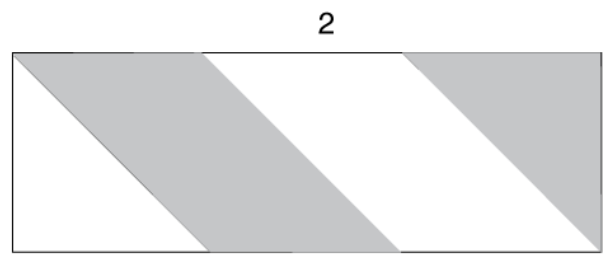
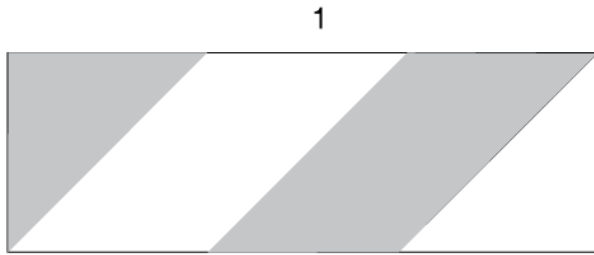
Bildtafel - table - No. 214a

Multi-digital-214a.ai

01.02.10

Item no.	Article no.	Description	Quantity
71	026667	FLAT BLADE FUSE	1
72	797734	Fuse holder	1
73	797878	Relais	1
74	031119	RELAY SOCKET	2
75	031118	RELAY DOUBLE MAKE CONTACT 12 V	1

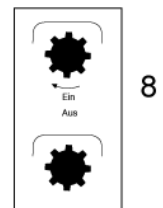
Item no.	Article no.	Description	Quantity
1430	800837	ADDITIONAL PART FOR MILITARY, C200	1
1440	800838	ADDITIONAL PART FOR MILITARY, C300	1



5
1380kg-2,2 bar

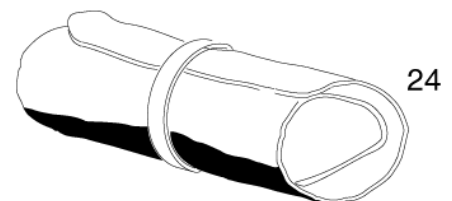
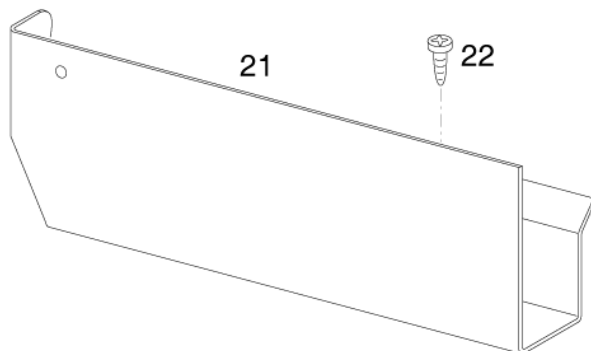
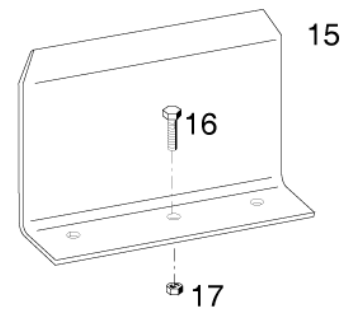
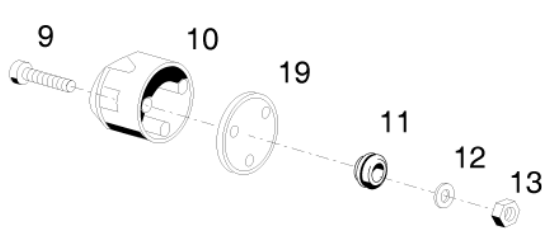
6
Diesel 27 l

7
Hydr. Öl 18 l
H 540



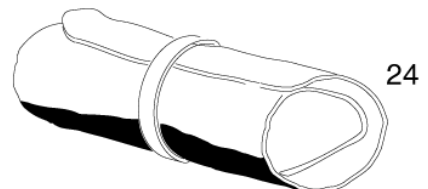
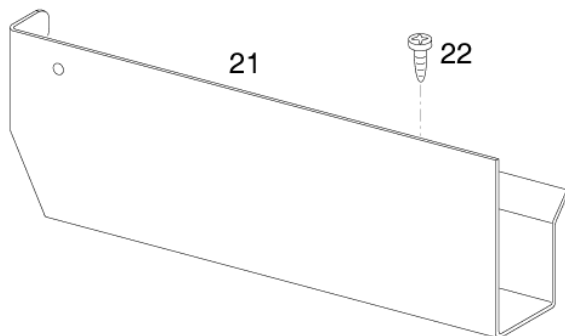
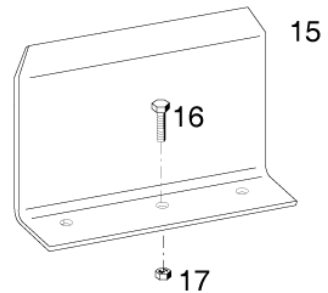
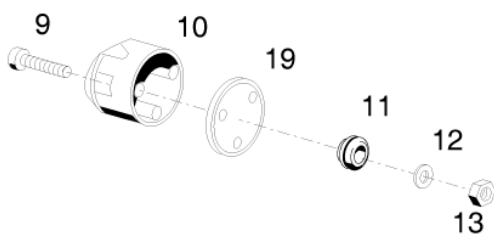
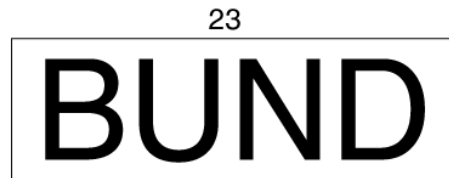
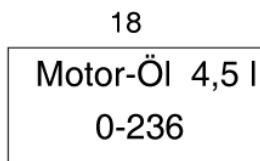
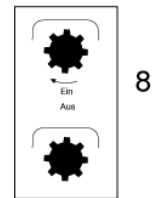
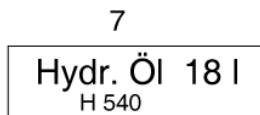
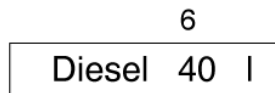
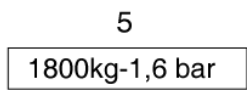
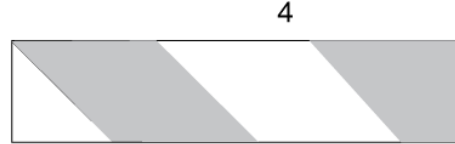
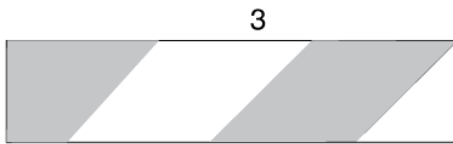
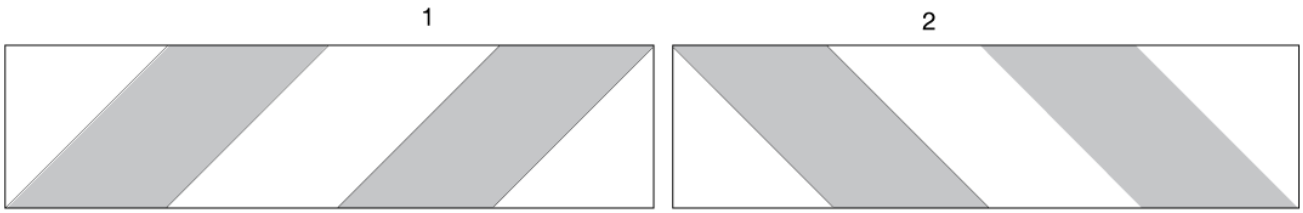
18
Motor-Öl 4,5 l
0-236

23
BUND



Bildtafel - table - No. 220
C200
Multi-digital-220.ai 16.04.07

Item no.	Article no.	Description	Quantity
1	136258	136258	1
2	136257	136257	1
3	136259	136259	1
4	136260	136260	1
5	136263	136263	2
6	136264	136264	1
7	027242	027242	1
8	019841	SWITCH PLATE PTO ON-OFF	2
9	010019	CYLINDER SCREW	3
10	012015	PLUG 7-POLE	1
11	014775	GROMMET	1
12	010061	SPRING WASHER	3
13	011576	6-HEAD NUT	3
14	028309	HOLDER BELT	2
15	130382	HOLDER	1
16	011503	6-HEAD SCREW	2
17	011683	6-HEAD NUT	2
18	136281	136281	1
19	138124	RUBBER SEAL FOR PLUG	1
21	129270	RETAINING PLATE ARMY	1
22	025028	+PAN HEAD SHEET METAL SCREW	2
23	145590	ADHESIVE LABEL "BUND"	2
24	147352	TOOL BAG BUNDESWEHR	1



Bildtafel - table - No. 222
C300

Multi-digital-222.ai

16.04.07

Item no.	Article no.	Description	Quantity
1	138122	WARNING FOIL LEFT	1
2	138123	WARNING FOIL RIGHT	1
3	136259	136259	1
4	136260	136260	1
5	138125	138125	2
6	138126	138126	1
7	027242	027242	1
8	019841	SWITCH PLATE PTO ON-OFF	2
9	010019	CYLINDER SCREW	3
10	012015	PLUG 7-POLE	1
11	014775	GROMMET	1
12	010061	SPRING WASHER	3
13	011576	6-HEAD NUT	3
14	028309	HOLDER BELT	2
15	130382	HOLDER	1
16	011503	6-HEAD SCREW	2
17	011683	6-HEAD NUT	2
18	136281	136281	1
19	138124	RUBBER SEAL FOR PLUG	1
21	129270	RETAINING PLATE ARMY	1
22	025028	+PAN HEAD SHEET METAL SCREW	2
23	145590	ADHESIVE LABEL "BUND"	2
24	147352	TOOL BAG BUNDESWEHR	1

Index

+ CONVERSION KIT FOR BOLT 028498 139011	255
+ STUD BOLT 029360	349
+ UNTREATED AIR HOSE 028565	19
+* SCREW PLUG 136498.....	117
+ADAPTER PLATE COMPL.(SEAT C200) 143277.....	349
+ADAPTER PLATE COMPL.(SEAT C300) 143278.....	407
+ADHESIVE LABEL BREAK-IN TIME AND 149932.....	305
+BACK EXTENSION ASSY. 133110.....	317
+BANJO SCREW F. RING CONNECTION 028884	117
+BASE 136268.....	171
+BOLT 028539.....	251
+BOLT 028536.....	251
+CABLE KIT ASSY. COCKPIT 138120	300
+CABLE KIT ASSY. NL. C200 134919.....	45
+CIRCUIT DIAGRAM, ELECTRICAL 137912.....	300
+CLEAN AIR HOSE 028564	19
+CLOSURE PLUG D=16.5 029119	13
+COMPRESSION SPRING 029100	25
+CORRUGATED HOSE 029122	19
+CORRUGATED HOSE 029124	19
+COUNTERSUNK SCREW 030113.....	349
+COVER 3 135766	325
+COVER 4 135768	325
+DICHTUNGSSATZ FÜR HUBZYLINDER 158103 C245/345 802207	265
+DUST CAP F. PLUG 027978	155
+DUST CAP F. PLUG 027963	155
+DUST CAP F. PLUG 027965.....	155
+DUST CAP F. PLUG BL 027977.....	155
+DUST CAP F. PLUG BL 027964.....	155
+DUST CAP F. PLUG WH 027981	155
+DUST CAP F. PLUG WH 027967	155
+DUST CAP F. PLUG GR 027979.....	155
+DUST CAP F. PLUG YE 027980	155
+DUST CAP F. PLUG YE 027966	155
+E-MAGNET CLUTCH 135506.....	249
+EDGE PROTECTOR 029112	47
+EXTRA FLYWHEEL MASS 136061.....	25
+FLANGE 146586.....	247
+FOAM MATERIAL C200 796941	369
+FUSE HOLDER f. A/C 797743.....	385
+GAS PEDAL ASSY. NL. 135237.....	229
+GAS PEDAL ASSY. NL. 135239.....	237
+GLUE FOR RUBBER EPPLE BOND 026264.....	300
+GROMMET F. HEATABLE OUTSIDE MIRROR 028462.....	355
+HEATABLE OUTSIDE MIRROR 134598.....	355
+HIGH PRESSURE HOSE 026864	161
+HINGE ASSY. LWR RIGHT 796922.....	373
+HOLDER C2/300 797205.....	373
+HOLDER (FLOLW DIV..202) 136128	169
+HOSE 029095.....	95
+HOSE 027942.....	165

+HOSE 029094.....	173
+HOSE D7/8" 029106.....	181
+HOSE D7/8" (22.2mm) 028751.....	105
+HOUSING LEFT ASSY. COMPL. 143634.....	63
+HOUSING RIGHT ASSY. COMPL. 143633.....	63
+KIT LOWER LINK FRAME NEW 139012.....	251
+LEVER ASSY. C220 135241.....	229
+LEVER ASSY. NL. 135252.....	237
+LID COVER 136829.....	45
+LOWER LINK FRAME ASSY. NL. 138900.....	255
+MANIFOLD F.D=16 90 DEGREES 135245.....	87
+METAL BRACKET PROFILE 029173.....	43
+METAL BRACKET PROFILE 029194.....	43
+MODEL ADHESIVE LABEL 137432.....	45
+MODEL ADHESIVE LABEL 137435.....	47
+MODEL ADHESIVE LABEL 137436.....	47
+MODEL ADHESIVE LABEL 143297.....	47
+NAME PLATE 135821.....	347
+NAME PLATE 135822.....	405
+PAN HEAD SHEET METAL SCREW 025028.....	341
+PERFORATED STRIP 139562.....	161
+PIPE CLAMP 028590.....	17
+PIPE ELBOW 137762.....	187
+PREASS. WHEEL MOTOR LEFT FRONT 148839.....	63
+PREASS. WHEEL MOTOR LEFT FRONT 138709.....	75
+PREASS. WHEEL MOTOR LEFT REAR w/o BR 143301.....	63
+PREASS. WHEEL MOTOR LEFT REAR w/o BR 148837.....	63
+PREASS. WHEEL MOTOR LEFT REAR w/o BR 135213.....	75
+PREASS. WHEEL MOTOR LEFT REAR w/o BR 143305.....	79
+PREASS. WHEEL MOTOR RIGHT FRONT 148838.....	63
+PREASS. WHEEL MOTOR RIGHT FRONT 138708.....	75
+PREASS. WHEEL MOTOR RIGHT FRONT 143302.....	79
+PREASS. WHEEL MOTOR RIGHT REAR w/o BR 143300.....	63
+PREASS. WHEEL MOTOR RIGHT REAR w/o BR 148836.....	63
+PREASS. WHEEL MOTOR RIGHT REAR w/o BR 135212.....	75
+PREASS. WHEEL MOTOR RIGHT REAR w/o BR 143304.....	79
+PRESSURE PIPE 028714.....	127
+PRESSURE PIPE 028715.....	127
+PRESSURE PIPE 028355.....	129
+PROTECTIVE GRILLE RAL 7021 137171.....	43
+PUMP COVER 136567.....	181
+RADIATOR HOSE 028929.....	25
+RELAY 028774.....	327
+REPLACEMENT CARTRIDGE 029088.....	173
+RETURN HOSE 028745.....	95
+RETURN HOSE 029469.....	95
+RETURN HOSE 026662.....	103
+RETURN HOSE 029378.....	159
+RETURN HOSE 029473.....	177
+RETURN HOSE 026595.....	177
+RING CONNECTION F WELDED FITTING 028569.....	59
+RING CONNECTION F WELDED FITTING 028883.....	117

+SEAL KIT COMPL. 145269.....	271
+SHAFT 133948	59
+SLIDING GRILLE ASSY. NL. 136759.....	27
+SPLASH GRILLE 137150	47
+SYNTHETIC LEATHER COVER C200 796942.....	369
+TAIL PIPE ASSY. NL. 134858	17
+TIMER RELAY 028771	325
+TRIM HOUSING C300 797711	415
+USE SYMBOL WARNING LIGHT 028758.....	325
+USE SYMBOL PTO SHAFT. front 028770	325
+WASHER SYSTEM C200 796836.....	357
+WINDSCREEN C300 796830.....	415
-* FENDER FLARE 135817	43
-ANGLE BRACKET C245/345 137857	27
-BASKET ASSY. NL. TIPPING UNIT. C345 140071	27
-BASKET SEAL C300-TIP. 142733	47
-BATTERY CABLE + ASSY. NL.50mm2 138292	41
-BATTERY HOLDER ASSY. NL. 137189	43
-BELT GUARD C345 137751	187
-BELT PULLEY 2-GROOVED 137752.....	187
-BONNET ASSY. NL. 134920.....	47
-BRACE ASSY. NL. 134738	11
-BRAKE LINE ASSY. 135504	225
-CIRCUIT DIAGRAM, ELECTRICITY 150161	300
-CIRCUIT DIAGRAM, ELECTRICITY 157994	300
-CIRCUIT DIAGRAM, ELECTRICITY 157995	300
-CIRCUIT DIAGRAM, ELECTRICITY 157996	300
-CLAMPING DEVICE ASSY. NL. 137747.....	187
-COVERING PANEL C345 136749	27
-COVERING PANEL C345 137549	41
-COVERING PANEL C345 139693	43
-ELBOW C345 137764	187
-ELECTRONICS BOX COMPL. C245/345 148283	365
-FENDER LEFT C345 135007.....	41
-FENDER RIGHT C345 135008	41
-FLANGED SHAFT ASSY. NL. 151233.....	247
-FLATBED FRAME ASSY. NL. 136598	55
-HOLDER C345 136591	21
-HOLDER C345 134364	35
-HOT WATER HOSE C345 029033.....	27
-LOW-PRESSURE HOSE (PREASS.) 030424.....	97
-LOW-PRESSURE HOSE (PREASS.) 030425.....	97
-LOW-PRESSURE HOSE (PREASS.) 030389.....	165
-LOW-PRESSURE HOSE ASSY. NL. 030384	163
-LOW-PRESSURE HOSE ASSY. NL. 030503	163
-LOW-PRESSURE HOSE ASSY. NL. 030432	201
-LOW-PRESSURE HOSE PREASS. 030507	105
-MOUNT 134710.....	19
-PREASS.WHEEL MOTOR LEFT C245 149919.....	63
-PREASS.WHEEL MOTOR RIGHT FRONT C245 149918	63
-PRESSURE LINE LONG C345 135067	107
-PRESSURE LINE LONG C345 135068	107

-PU-FOAM 029566	27
-PUMP HOLDER ASSY. NL. 137743	187
-RETURN HOSE ASSY. NL. 135215.....	101
-SIDE PART, RIGHT REAR C345 134849	41
-SPACER RING C245/345 134284.....	245
-SUPPORT STRIP, RIGHT ASSY. NL. 134365.....	35
-THERMAL INSULATOR PLATE C345 137058	35
-TUBE (sawed off) 139357.....	21
-TUBE ASSY. NL. C345 134369.....	41
-ULTRAHIGH PRESSURE HOSE ASSY. 028577.....	107
-UNTREATED AIR HOSE 029554.....	21
0,5 KG BLACK COLOUR FOR EXHAUST 023520	300
0,5 KG ORANGE COLOUR 017201	300
011201 011201	365
023898 023898	423
026753 026753	173
027014 027014	300
027242 027242	443
027245 027245	313
027298 027298	129
028500 028500	295
028504 028504	295
028777 028777	325
028785 028785	149
028862 028862	87
029190 029190	345
029230 029230	359
029295 029295	165
029978 029978	197
029979 029979	193
029980 029980	193
029981 029981	193
030617 030617	295
030640 030640	119
031018 031018	111
031019 031019	111
031038 031038	295
1 pair catch hooks, reinforced, CAT 2 135818.....	251
1,0 KG BLACK COLOUR FOR EXHAUST 023521	300
1,0 KG ORANGE COLOUR 017202	300
103283 103283	369
134534 134534	289
134890 134890	295
135533 135533	289
135793 135793	49
136257 136257	443
136258 136258	443
136259 136259	443
136260 136260	443
136263 136263	443
136264 136264	443
136281 136281	443

136291 136291	159
136321 136321	59
136343 136343	285
137166 137166	13
137366 137366	399
137419 137419	25
137840 137840	327
138125 138125	445
138126 138126	445
138706 138706	59
138707 138707	59
141680 141680	67
141681 141681	67
143306 143306	67
143307 143307	67
147860 147860	205
148846 148846	67
149581 149581	371
150056 150056	113
150079 150079	73
154970 154970	231
154971 154971	231
197306 197306	369
2 GROOVE FLYWHEEL MASS 143004	25
2 GROOVE FLYWHEEL MASS 143005	25
4-CHAMBER LIGHT LEFT 027890	37
4-CHAMBER LIGHT RIGHT 027889	37
6-HEAD DISTANCE 031333	383
6-HEAD NUT 011590	11
6-HEAD NUT 011687	11
6-HEAD NUT 011685	11
6-HEAD NUT 011597	13
6-HEAD NUT 011935	13
6-HEAD NUT 011585	13
6-HEAD NUT 011579	13
6-HEAD NUT 011268	17
6-HEAD NUT 024184	27
6-HEAD NUT 010102	27
6-HEAD NUT 011577	33
6-HEAD NUT 016249	35
6-HEAD NUT 011576	37
6-HEAD NUT 011751	39
6-HEAD NUT 011683	39
6-HEAD NUT 011265	45
6-HEAD NUT 010103	45
6-HEAD NUT 011594	49
6-HEAD NUT 023752	49
6-HEAD NUT 010096	61
6-HEAD NUT 016205	151
6-HEAD NUT 030185	197
6-HEAD NUT 010098	223
6-HEAD NUT 011753	223

6-HEAD NUT 011571.....	229
6-HEAD NUT 028746.....	249
6-HEAD NUT 010099.....	249
6-HEAD NUT 022662.....	251
6-HEAD NUT 029376.....	251
6-HEAD NUT 027921.....	257
6-HEAD NUT 011755.....	265
6-HEAD NUT 011586.....	393
6-HEAD SCREW 011531.....	11
6-HEAD SCREW 011115.....	11
6-HEAD SCREW 011525.....	11
6-HEAD SCREW 011511.....	11
6-HEAD SCREW 011189.....	11
6-HEAD SCREW 011540.....	13
6-HEAD SCREW 028542.....	13
6-HEAD SCREW 011121.....	13
6-HEAD SCREW 011518.....	13
6-HEAD SCREW 023178.....	13
6-HEAD SCREW 011117.....	15
6-HEAD SCREW 011514.....	17
6-HEAD SCREW 011520.....	17
6-HEAD SCREW 011173.....	17
6-HEAD SCREW 023768.....	17
6-HEAD SCREW 028102.....	17
6-HEAD SCREW 031913.....	17
6-HEAD SCREW 028803.....	19
6-HEAD SCREW 011509.....	19
6-HEAD SCREW 013488.....	19
6-HEAD SCREW 023767.....	25
6-HEAD SCREW 011557.....	27
6-HEAD SCREW 011088.....	27
6-HEAD SCREW 011502.....	31
6-HEAD SCREW 011154.....	31
6-HEAD SCREW 011533.....	33
6-HEAD SCREW 011157.....	37
6-HEAD SCREW 027580.....	45
6-HEAD SCREW 029114.....	45
6-HEAD SCREW 011187.....	53
6-HEAD SCREW 011530.....	53
6-HEAD SCREW 028747.....	53
6-HEAD SCREW 028968.....	61
6-HEAD SCREW 011539.....	61
6-HEAD SCREW 011504.....	83
6-HEAD SCREW 029042.....	83
6-HEAD SCREW 011162.....	87
6-HEAD SCREW 011105.....	87
6-HEAD SCREW 011527.....	91
6-HEAD SCREW 027692.....	91
6-HEAD SCREW 011172.....	107
6-HEAD SCREW 011114.....	117
6-HEAD SCREW 024273.....	123
6-HEAD SCREW 011102.....	137

6-HEAD SCREW 011192.....	137
6-HEAD SCREW 011158.....	149
6-HEAD SCREW 022568.....	165
6-HEAD SCREW 011175.....	169
6-HEAD SCREW 023815.....	171
6-HEAD SCREW 011521.....	171
6-HEAD SCREW 011555.....	187
6-HEAD SCREW 011178.....	187
6-HEAD SCREW 011503.....	223
6-HEAD SCREW 028372.....	225
6-HEAD SCREW 011898.....	231
6-HEAD SCREW 011534.....	231
6-HEAD SCREW 011545.....	245
6-HEAD SCREW 027274.....	245
6-HEAD SCREW 011902.....	245
6-HEAD SCREW 011532.....	245
6-HEAD SCREW 026972.....	245
6-HEAD SCREW 011552.....	251
6-HEAD SCREW 011554.....	251
6-HEAD SCREW 011881.....	255
6-HEAD SCREW 029390.....	255
6-HEAD SCREW 011561.....	261
6-HEAD SCREW 011111.....	265
6-HEAD SCREW 026588.....	265
6-HEAD SCREW 027248.....	271
6-HEAD SCREW 011558.....	289
6-HEAD SCREW 011566.....	291
6-HEAD SCREW 011553.....	291
6-HEAD SCREW 011120.....	295
6-HEAD SCREW 011159.....	333
6-HEAD SCREW 022975.....	335
6-HEAD SCREW 011517.....	353
782006 782006	49
782007 782007	49
786508 786508	403
788901 788901	341
788904 788904	341
788928 788928	337
789133 789133	333
789134 789134	333
789136 789136	337
789158 789158	331
789327 789327	335
789370 789370	341
790781 790781	357
790784 790784	333
790988 790988	369
796322 796322	337
796333 796333	397
796334 796334	397
796350 796350	337
796387 796387	151

796388 796388	151
796393 796393	337
796394 796394	337
796430 796430	345
796432 796432	333
796604 796604	337
796787 796787	399
796872 796872	403
797975 797975	71
798596 798596	423
799064 799064	311
799065 799065	311
799068 799068	311
799069 799069	311
799070 799070	311
799071 799071	311
799072 799072	311
799076 799076	311
799080 799080	311
799083 799083	311
799086 799086	313
799087 799087	313
799088 799088	313
799089 799089	313
799093 799093	313
799095 799095	311
799096 799096	313
799099 799099	313
799105 799105	313
799106 799106	313
799208 799208	25
799210 799210	49
799211 799211	49
799213 799213	49
799214 799214	49
799216 799216	49
799217 799217	49
799220 799220	49
799222 799222	53
799224 799224	53
799225 799225	145
799226 799226	145
799227 799227	145
799228 799228	145
799229 799229	145
799230 799230	145
799232 799232	223
799233 799233	249
799234 799234	289
799238 799238	309
799240 799240	309
799241 799241	309

799242 799242	309
799243 799243	309
799245 799245	309
799246 799246	309
799249 799249	309
799252 799252	315
799253 799253	315
799254 799254	315
799255 799255	315
799256 799256	315
799257 799257	315
799258 799258	315
799259 799259	315
799260 799260	315
799261 799261	315
799262 799262	315
799263 799263	315
799265 799265	315
799266 799266	315
799271 799271	317
799272 799272	317
799273 799273	317
799274 799274	317
799276 799276	317
799277 799277	317
799278 799278	317
799280 799280	317
799281 799281	317
799283 799283	317
799284 799284	317
799285 799285	317
799286 799286	317
799288 799288	317
799289 799289	317
799291 799291	317
799292 799292	317
799293 799293	317
799294 799294	317
799297 799297	319
799298 799298	319
799299 799299	319
799300 799300	319
799301 799301	319
799302 799302	319
799303 799303	319
799304 799304	319
799305 799305	319
799308 799308	319
799310 799310	319
799312 799312	319
799313 799313	319
799314 799314	319

799315 799315	319
799317 799317	319
799319 799319	319
799321 799321	319
799322 799322	319
799324 799324	319
799325 799325	319
799326 799326	319
799327 799327	319
799328 799328	319
799329 799329	319
799330 799330	319
799331 799331	319
799332 799332	319
799334 799334	319
799335 799335	319
799336 799336	319
799337 799337	319
799338 799338	319
799342 799342	321
799344 799344	321
799345 799345	321
799348 799348	321
799349 799349	321
799350 799350	321
799351 799351	321
799352 799352	321
799353 799353	321
799354 799354	321
799355 799355	321
799357 799357	321
799358 799358	321
799359 799359	321
799361 799361	321
799362 799362	331
799363 799363	331
799364 799364	331
799365 799365	331
799366 799366	331
799367 799367	331
799369 799369	331
799370 799370	331
799371 799371	331
799372 799372	331
799373 799373	333
799374 799374	333
799375 799375	333
799376 799376	333
799377 799377	333
799378 799378	333
799379 799379	333
799425 799425	335

799426 799426	335
799427 799427	335
799428 799428	335
799429 799429	335
799430 799430	335
799431 799431	335
799432 799432	335
799433 799433	335
799434 799434	335
799437 799437	337
799438 799438	337
799439 799439	337
799440 799440	337
799443 799443	337
799447 799447	341
799448 799448	341
799449 799449	341
799450 799450	341
799451 799451	341
799453 799453	341
799454 799454	345
799460 799460	345
799461 799461	345
799462 799462	345
799464 799464	345
799465 799465	345
799466 799466	345
799467 799467	345
799469 799469	345
799471 799471	345
799472 799472	345
799473 799473	345
799474 799474	345
799477 799477	345
799478 799478	345
799481 799481	345
799483 799483	345
799485 799485	341
799486 799486	341
799487 799487	345
799488 799488	345
799490 799490	347
799491 799491	347
799493 799493	347
799494 799494	347
799498 799498	347
799504 799504	331
799505 799505	331
799509 799509	389
799510 799510	389
799511 799511	389
799512 799512	389

799513 799513	389
799527 799527	393
799528 799528	393
799529 799529	393
799530 799530	393
799531 799531	393
799532 799532	393
799533 799533	393
799534 799534	395
799535 799535	395
799536 799536	397
799537 799537	397
799538 799538	399
799539 799539	399
799540 799540	399
799541 799541	399
799542 799542	399
799543 799543	399
799544 799544	399
799545 799545	403
799547 799547	403
799549 799549	403
799554 799554	403
799555 799555	403
799556 799556	403
799557 799557	403
799558 799558	403
799559 799559	403
799560 799560	405
799561 799561	405
799562 799562	405
799563 799563	393
799566 799566	353
799567 799567	353
799568 799568	353
799569 799569	353
799570 799570	355
799571 799571	355
799572 799572	359
799573 799573	361
799575 799575	365
799578 799578	365
799579 799579	365
799583 799583	365
799586 799586	369
799587 799587	369
799588 799588	369
799591 799591	373
799592 799592	373
799595 799595	385
799596 799596	385
799602 799602	369

799603 799603	369
799604 799604	369
799605 799605	411
799606 799606	411
799607 799607	411
799608 799608	411
799610 799610	415
799611 799611	419
799614 799614	419
799616 799616	419
799617 799617	423
799618 799618	423
799619 799619	423
799620 799620	427
799621 799621	429
799622 799622	429
799625 799625	435
799626 799626	435
799627 799627	423
800712 800712	84
800788 800788	311
800789 800789	311
800815 800815	350
801833 801833	357
=RETROFIT KIT F. DEVICE PUMP C200 143766	181
ACCUMULATOR WITH COVER 028526	37
ACTUATOR ROLL 799034	145
ADAPTER 791197	415
ADAPTER FOR RADIO 797729	371
ADAPTER FOR PLUG-IN CLUTHERS 132343	155
ADAPTER PLATE 138662	349
ADAPTER PLATE SEAT 138376	407
ADAPTER SLEEVE 027017	275
ADAPTOR FOR UNPRESSURIZED RETURN FLOW 132989	155
ADDITIONAL CONTROL VALVE 134909	151
ADDITIONAL COOLER 148789	31
ADDITIONAL COOLER C200 800683	8
ADDITIONAL PART FOR MILITARY, C200 800837	440
ADDITIONAL PART FOR MILITARY, C300 800838	440
ADDITIONAL PARTS MILITARY 800836	7
ADHESIVE LABEL 147380	207
ADHESIVE LABEL 147379	219
ADHESIVE LABEL 029976	305
ADHESIVE LABEL 028981	305
ADHESIVE LABEL 029203	305
ADHESIVE LABEL SDS AND BASIC 145990	305
ADHESIVE LABEL "BUND" 145590	443
ADHESIVE LABEL SDS 145494	305
ADHESIVE PICTURE 022916	305
ADJUSTABEL L-FITTING 028620	31
ADJUSTABEL L-FITTING 028621	55
ADJUSTABEL L-FITTING 029470	93

ADJUSTABEL L-FITTING 028617	159
ADJUSTABEL L-FITTING 029811	197
ADJUSTABEL T-FITTING 029059.....	95
ADJUSTABEL T-FITTING 028623.....	123
ADJUSTABEL T-SCREW CONNECTION 029461	125
ADJUSTABEL ANGEL BRACKET 028616.....	53
ADJUSTABEL ANGEL SCREW CONNECTION 025120	87
ADJUSTABEL ANGEL SCREW CONNECTION 029460	125
ADJUSTABEL ANGEL SCREW CONNECTION 025118	155
ADJUSTABLE ACCESSORIES HYDRAULIC PUMP 145199	119
ADJUSTABLE ACCESSORIES HYDRAULIC PUMP 150111	119
ADJUSTABLE ACCESSORIES HYDRAULIC PUMP WITH FIXED DRIVE 141700	119
ADJUSTING DISC 030091	11
ADJUSTING DISC 028393	117
ADJUSTING DISC 011692	245
ADJUSTING DISC 011691	247
ADJUSTING DISC 028733	255
ADJUSTING DISC 028732	273
ADJUSTING KNOB 797763.....	169
ADJUSTING KNOB WITH STITCH BRAND SHORT 137990	149
ADJUTABEL ANGEL BRACKET 028624	31
ADJUTABEL ANGEL BRACKET 028615	31
ADJUTABEL ANGEL BRACKET 028601	87
ADJUTABEL ANGEL BRACKET 029055	89
ADJUTABEL ANGEL BRACKET 028701	107
AFTER ADJUSTING LOCK 136691	83
AIR CONDITIONER COVERING 147912.....	435
AIR CONDITIONING COMPRESSOR 143837.....	381
AIR CONDITIONING, BLOWER, EVAPORATOR, CONDENSER 800816	350
AIR CONDITIONING, COMPRESSOR, HOSE, AS OF 02/08 800835.....	408
AIR CONDITIONING, COMPRESSOR, HOSE, TILL 02/08 800814	350
AIR CONDITIONING, COMPRESSOR, HOSE, TILL 02/08 800834	408
AIR DIFFUSER 137181	345
AIR DIFFUSER 137182	403
AIR FILTER 134709	19
AIR FILTER SEALING 136959	39
AIR FILTER SEALING 139417	39
AIR HOSE SET 796975	313
AIR HOSE SET 798115	321
AIR NOZZLE 788902	341
AIR NOZZLE 788900	341
AIR SPRING 796786	313
AIR SPRING 783121	319
ANALOG AMPLIFIER 150486	367
ANGEL FLANGE SCREW CONNECTION 023134	107
ANGLE 135295	11
ANGLE 137803	13
ANGLE 137802	13
ANGLE 153030	17
ANGLE 153031	17
ANGLE 139358	21
ANGLE 134304	25

ANGLE 134305.....	33
ANGLE 796385.....	147
ANGLE 027097.....	225
ANGLE 134657.....	231
ANGLE 796392.....	333
ANGLE 796992.....	355
ANGLE C200 143289.....	169
ANGLE BRACKET 135299.....	17
ANGLE BRACKET 146625.....	17
ANGLE BRACKET 153051.....	53
ANGLE BRACKET 102636.....	317
ANGLE BRACKET 019661.....	407
ANGLE FITTING 030017.....	193
ANGLE FLANGE NOZZLE 030800.....	205
ANGLE FLANGE NOZZLE 030799.....	205
ANGLE FLANGE SCREW CONNECTION 029037.....	181
ANGLE FLANGE SCREW CONNECTION 136572.....	181
ANGLE FLANGE SCREW CONNECTION 029735.....	193
ANGLE FLANGE SCREW CONNECTION 015815.....	195
ANGLE HOSE CONNECTOR 126955.....	35
ANGLE JOINT 016618.....	229
ANGLE JOINT 797088.....	369
ANGLE SENSOR (ROTARY POTENTIOMETER) 030525.....	235
ANGLE SWING SOCKET 028631.....	55
ANGLE SWING SOCKET 028628.....	87
ANGLE SWING SOCKET 031342.....	99
ANGLE SWING SOCKET 028583.....	107
ANGLE SWING SOCKET 028637.....	111
ANGLE SWING SOCKET 031271.....	113
ANGLE SWING SOCKET 028599.....	119
ANGLE SWING SOCKET 028627.....	141
ANGLE SWING SOCKET 028629.....	159
ANGLE SWING SOCKET 031936.....	265
ANGLE SWING SOCKET COMPL. 028626.....	119
ANTENNA 023675.....	371
ARRESTOR HOOK CATEGORY 1 135686.....	251
ARTICUALTED LUG 113915.....	273
ARTICUALTED LUG LEFT 120922.....	249
ARTICUALTED LUG RIGHT 120921.....	249
ASCENT STEP 797035.....	365
ASHWOOD HANDLE CROSS LEVER 137943.....	149
AUTOMATIC ADJUSTMENT 139523.....	83
AXLE 134237.....	11
AXLE 150057.....	13
AXLES C200 BASIC, AS OF 202 002 319 800697.....	56
AXLES C200 SUMMERPARK AND BASIC, TILL 202 002 318 800696.....	56
AXLES C200, AS OF 202 001523 800695.....	56
AXLES C200, TILL 202 001522 800694.....	56
AXLES C300, AS OF 203 000 667 800699.....	56
AXLES C300, TILL 203 000 666 800698.....	56
AXLES, BRAKES 800693.....	7
BACK BOARD 799581.....	365

BACKREST CUSHION 796908	309
BACKREST CUSHION 798072	315
BACKREST CUSHION PVC DRIVER SEAT 150632	309
BACKREST EXTENSION 138022	309
BALL 789429	145
BALL 799033	145
BALL 010698	241
BALL CUP 012006	241
BALL HITCH 147365	289
BALL PIVOT 023684	241
BALL PIVOT 025892	357
BANJO BOLT 031273	71
BANJO FITTING 026425	223
BASE 791315	357
BASE C300 137503	165
BASE FOR GRIP PLATE 797809	375
BASE FRAME, STRUTURES REAR, ENGINE FIXING PARTS 800676	7
BASIC SHIELD 145493	305
BASKET 140063	27
BASKET 139443	27
BASKET SEALING 142732	45
BASKET SEALING 142734	45
BATTERY CABLE 138264	37
BATTERY CABLE 138265	37
BATTERY CABLE 134782	39
BATTERY CABLE 138293	41
BATTERY CLAMP 136734	39
BATTERY CLAMP 149664	39
BATTERY CLAMP 110334	41
BATTERY SHUT-DOWN KEY 138306	39
BEARING 799025	145
BEARING 028671	229
BEARING BOCK 138875	253
BEARING BOLT 027028	229
BEARING BOLT 138897	255
BEARING BUSH 799609	413
BELLOWS 788458	147
BELLOWS 136662	147
BELLOWS 799090	313
BELLOWS 799320	319
BELT GUARD 143950	381
BELT GUARD 150523	383
BLANK RIVET 027936	27
BLANK RIVET 016638	39
BLANK RIVET 016637	317
BLIND PLUG 030141	29
BLOCK VALVE 797492	385
BLOWER 796913	369
BLOWER 797675	385
BODEM PC CONNECTION CABLE 140353	365
BODEM 24 with USB CONNECTION 140352	365
BOLT 028531	11

BOLT 151940.....	15
BOLT 151938.....	15
BOLT 028498.....	49
BOLT 140996.....	49
BOLT 141324.....	49
BOLT 124758.....	53
BOLT 029561.....	53
BOLT 011279.....	55
BOLT 011281.....	55
BOLT 151939.....	139
BOLT 789211.....	147
BOLT 796390.....	147
BOLT 022263.....	223
BOLT 028558.....	227
BOLT 030545.....	235
BOLT 028537.....	251
BOLT 027732.....	251
BOLT 029404.....	255
BOLT 029908.....	257
BOLT 799075.....	311
BOLT 799318.....	319
BONNET 027483.....	15
BONNET 131941.....	23
BONNET 023241.....	49
BONNET 797039.....	325
BONNET 027884.....	325
BONNET 027883.....	325
BONNET 027089.....	355
BONNET COVER C300 136830.....	47
BOWDEN CABLE 134651.....	231
BRACE 796534.....	49
BRACE 150068.....	205
BRACE 135966.....	275
BRACE ASSY. NL. 146157.....	203
BRACER 136565.....	181
BRACKET 142095.....	193
BRACKET 789157.....	331
BRACKET 797087.....	369
BRAKE CABLE 136664.....	227
BRAKE DRUM 797037.....	61
BRAKE HOSE 117013.....	223
BRAKE LINE 135503.....	225
BRAKE LINE, LEFT 135502.....	225
BRAKE LINE, RIGHT 135501.....	225
BRAKE PEDAL 131508.....	223
BRAKE SHOE 136683.....	83
BRAKE SHOE, LEFT 136686.....	83
BRAKE SHOE, RIGHT 136685.....	83
BRAKES 800700.....	56
BRASS RING 029133.....	117
BREATHER FILTER 018782.....	265
BUFFERS 014825.....	13

BUFFERS 014820	17
BUFFERS 014823	33
BUFFERS 020846	223
BUFFERS 791104	411
BUILT-IN LOUDSPEAKER 023674	371
BULB FOR MOTOR VEHICLE 012028	37
BULB FOR MOTOR VEHICLE 012032	37
BULB FOR MOTOR VEHICLE 012020	325
BULB FOR MOTOR VEHICLE 025426	333
BULB FOR MOTOR VEHICLE 030074	355
BULB FOR MOTOR VEHICLE 025816	357
BULKHEAD UNION 023506	265
BUSH 799247	309
BUSH 799279	317
BUSH 799282	317
BUSH 799309	319
BUSH 799316	319
BUSH 799356	321
BUSH 799360	321
BUSH 790554	357
BUTON FOR HEATING VALVE 796917	371
BUTON FOR HEATING VALVE 797529	371
BUTTERFLY NUT 010069	13
BUTTERFLY NUT 010068	45
BUTTERFLY SCREW 014068	31
BUTTON TOGGEL SWITCH 027131	325
BUTTON TOGGEL SWITCH 023745	327
Ballast plate 25 kg for rear ballast 135277	289
Belt 027886	381
CABIN KBF SERIES C300 800826	7
CABIN KFB C200 800805	7
CABIN KFB, STEERING COVER, COVERING, ELECTRONIC BOX 800809	350
CABIN KFB, STEERING COVER, COVERING, RADIO 800829	408
CABIN SUPPORT 134372	11
CABIN VCI SERIES C200 800796	7
CABIN VCI SERIES C300 800817	7
CABLE 133006	229
CABLE 134523	237
CABLE 134567	237
CABLE ASS. BROWN 023680	371
CABLE ASS. RED 023678	371
CABLE ASS. RED 023679	371
CABLE BAND 027250	19
CABLE BAND 027249	61
CABLE BAND 019743	149
CABLE CHANNEL 799564	353
CABLE CHANNEL C300 797920	435
CABLE SET 149026	31
CABLE SET 134741	300
CABLE SET REAR 139188	300
CABLE SET, GASKET KIT 800781	286
CABLE SLEEVE 790992	423

CABLE STRAP 799092	313
CALELE 122058	371
CAM 134979	249
CAP 119383	11
CAP 138042	149
CAP 796800	149
CAP 139074	251
CAP 797311	353
CAP 797036	357
CAP DISC 150172	15
CAP DISC 152219	15
CAP FOR COMPENSATION TANK 136660	25
CAP NUT 148200	15
CAP NUT 789430	357
CAP ON FRONT WALL 797639	415
CAP W. SEAL 139563	91
CARDAN JOINT 134992	251
CARDAN SHAFT 133942	245
CARDAN WASHER 116451	245
CARGO BED, MOUNTING BRACKET 800690	8
CARRIER VALVE 028983	169
CATCH SPRING 798421	291
CHAINING BAND 027074	327
CHANGEOVER RELAIS WITHOUT EXTINGUISHING DIODE 030616	149
CHANGEOVER RELAIS WITHOUT EXTINGUISHING DIODE 027135	335
CIRCLIP 023352	361
CLAMP 015186	225
CLAMP THREAD ROD 136585	171
CLAMPING PROFILE 790772	357
CLAMPING SLEEVE 120920	249
CLAMPING SLEEVE KNOB 113916	273
CLEAN AIR HOSE 028562	19
CLEAN AIR HOSE 028563	19
CLEARANCE HOLDER 796961	353
CLIP 797032	49
CLIP 798952	363
CLIP FOR DUST PROTECTOR COVER 027956	151
CLIP FOR DUST PROTECTOR COVER SYMBOL 030627	219
CLIP FOR DUST PROTECTOR COVER SYMBOL - 030625	207
CLOSURE 797020	373
CLOSURE PLUG 015334	39
CLOSURE PLUG 136684	83
CLOSURE PLUG 015893	159
CLOSURE PLUG 030709	211
CLUTCH 136898	247
CLUTCH 136543	285
CLUTCH BALL 799503	289
CLUTCH BOLT 135004	289
CLUTCH LEVER 139196	181
CLUTCH PEDAL AND INCHPEDAL 131507	225
CLUTCH SLEEVE 020602	155
CLUTCH SLEEVE 136681	181

COLLAR SLEEVE 138017	251
COLLECTING BAR 134882	87
COLLECTING BAR 134881	123
COLOUR SPRAY BLACK GREY 030872	300
COLOUR SPRAY TIN 027015	300
COMBINATION SWITCH 023129	325
COMPENSATION TANK 114430	223
COMPENSATION TANK WITH COVER 136586	25
COMPOSITE SEAL 028811	59
COMPOSITE SEAL 029457	61
COMPOSITE SEAL WITH CENTERING HOLDER 029458	61
COMPOSITE SEAL WITH CENTERING HOLDER 029456	61
COMPRESSOR 796436	313
COMPRESSOR 783145	321
COMPRESSOR BRACKET 150441	383
CONDENSER 798113	385
CONDENSER COVER PLATE 798111	385
CONDENSER COVER PLATE 799916	385
CONE 110450	11
CONE 136244	249
CONE BOLT 143320	257
CONE RING 143321	257
CONNECTER 3-POLE 126318	123
CONNECTING CABLE 138350	335
CONNECTING HOSE 024322	27
CONNECTING HOSE 029030	27
CONNECTING HOSE 020619	223
CONNECTING LINK ABOVE 136665	147
CONNECTING LINK BELOW 136666	147
CONNECTING NIPPLE 031070	31
CONNECTING TUBE 117609	155
CONNECTION 150530	383
CONNECTION CABLE 799323	319
CONSOLE 153981	293
CONTACT 029595	231
CONTROL VALVE 796918	371
CONTROL VALVE 797450	371
CONVERSION KIT LEAKAGE OIL LINE 149949	93
COOLER LINE 797117	25
COOLER LINE 029543	25
COOLER SEAL 136847	27
COOLER SEAL 136848	27
COOLER, FAN BLADE, ENGINE MOUNT 800682	8
COOLER, SIDE-BY-SIDE 140911	25
COOLER, SIDE-BY-SIDE 145537	25
COOPER LINE 136960	27
CORRUGATED HOSE 028971	61
COTTER BOLT 797770	331
COTTER BOLT 796984	353
COUNTER BEARING 134848	229
COUNTER BEARING 134656	231
COUNTERHOLDER 150439	383

COUNTERSUNK SCREW 028256	25
COUNTERSUNK SCREW 011668	61
COUNTERSUNK SCREW 011670	313
COUNTERSUNK SCREW 789425	357
COUNTERSUNK SCREW 796107	371
COUNTERSUNK SCREW 011669	381
COUNTERSUNK SCREW 011666	423
COUNTERSUNK SOCKET SCREW 012592	181
COUNTERSUNK SOCKET SCREW 022622	285
COUNTERSUNK SOCKET SCREW 013917	373
COUPLING JAW 153962	293
COVER 792961	87
COVER 135784	147
COVER 143182	265
COVER 798964	315
COVER 799267	315
COVER 135810	325
COVER 131545	325
COVER 799484	331
COVER 796433	337
COVER 799565	353
COVER 798033	353
COVER 797126	357
COVER 796990	357
COVER 798427	363
COVER 801184	385
COVER 797525	411
COVER C300 797236	413
COVER DISC 028034	167
COVER FOR CARTRIDGE 030568	87
COVER FOR WINDSCREEN WIPER MOTOR 797463	361
COVER LEFT 799287	317
COVER LEFT 799457	345
COVER LEFT 799508	389
COVER LEFT 799550	403
COVER PANEL 796391	337
COVER PANEL 799458	345
COVER PANEL 799459	345
COVER PANEL 799551	403
COVER PANEL 799552	403
COVER PANEL 799553	403
COVER PLANTE FOR CARGO BED 147887	51
COVER PLANTE FOR CARGO BED 147888	51
COVER PLATE 136730	25
COVER PLATE 136729	27
COVER PLATE 136751	39
COVER PLATE 135433	39
COVER PLATE 139416	39
COVER PLATE 136453	41
COVER PLATE 028580	107
COVER PLATE 138088	147
COVER PLATE 138221	147

COVER PLATE 028661	153
COVER PLATE 5280 023857	167
COVER RIGHT 799275	317
COVER RIGHT 799456	345
COVER RIGHT 799507	389
COVER RIGHT 799548	403
CUSHION SET PVC 150633	309
CYLINDER 784840	137
CYLINDER 135145	265
CYLINDER HOLDER 136745	53
CYLINDER HOLDER 148287	53
CYLINDER HOLDER 136593	55
CYLINDER SCREW 010019	37
CYLINDER SCREW 011199	147
CYLINDER SCREW 010024	317
CYLINDER SCREW 010012	325
CYLINDER SCREW 011728	363
Clip for dust protector cover black 027957	151
Clip for dust protector cover blue 027958	151
Clip for dust protector cover green 027959	151
Clip for dust protector cover yellow 027960	151
DASH BOARD 800794	7
DASH BOARD 799576	365
DASH BOARD 799612	419
DASH BOARD 799613	419
DASH BOARD LEFT 798751	365
DASH BOARD, DELAY RELAIS 800795	322
DEFLECTOR BAR 796983	353
DELAY RELAIS 029217	327
DELECTION PULLEY 135091	229
DEPTH BOLT 016059	59
DETENT PIN 798420	291
DETENT PIN 796962	369
DIAGNOSTIC PLUG 799584	365
DIAPHRAGM ACCUMULATOR (30 BAR) 136678	265
DIGITAL STICK-ON LABEL 138716	45
DIODE BY 254 027136	159
DIP STICK 135674	87
DIRECTION-HAZARD WARNING LIGHT 019591	325
DIRT GRID 137149	45
DIRT GRID RAL 9005 COATED 139355	45
DIRT TRAP 137068	39
DIRT TRAP 135435	349
DIRT TRAP 135434	407
DISC WHEEL 029001	295
DISC WHEEL 025713	295
DISC WHEEL 026734	295
DISCHARGE CHANNEL 797888	365
DISTANCE DISKD=130X50X21 VZ 151234	247
DISTRIBUTOR 117011	225
DISTRIBUTOR PIPE 136760	89
DISTRIBUTOR PIPE 135022	173

DISTRIBUTOR PLATE 783389	145
DOMED ANCHOR NUT 012039	295
DOOR GLASS LEFT 796832	373
DOOR GLASS LEFT 786504	389
DOOR GLASS RIGHT 796831	373
DOOR GLASS RIGHT 786505	389
DOOR GLASS, LEFT C300 796829	427
DOOR HANDLE 421/22 797201	375
DOOR KEY 796886	375
DOOR LEFT 796849	373
DOOR LEFT 791769	389
DOOR LEFT ASSY. C300 797109	427
DOOR LOCK 788933	389
DOOR RIGHT 791770	389
DOOR RIGHT ASSY. C300 797108	427
DOOR SCHOCK 796242	337
DOOR TRIM, COMPL. C300 797155	429
DOOR WINDOW RIGHT SIDE C200 786493	331
DOOR WINDOW RIGHT SIDE C200 797448	375
DOUBLE ACTING CYLINDER 142766	55
DOUBLE SHOCK VALVES 799032	145
DOUBLE SOCKET 028415	59
DOUBLE SOCKET 028680	147
DOWEL PIN 013521	275
DRIVE SHAFT 797826	203
DRIVE SHAFT 147751	205
DRIVER SAET AIR-SUSPENDED 800786	306
DRIVER SAET AIR-SUSPENDED 800792	306
DRIVER SAET AIR-SUSPENDED 800793	306
DRIVER SAET AIR-SUSPENDED 147926	317
DRIVER SEAT 131846	317
DRIVER SEAT AIR-SUSPENDED FABRIC COVER 137679	309
DRIVER SEAT MECHANICAL SUSPENDED FABRIC COVER 137678	309
DRIVING UNIT 797219	117
DRIVING UNIT 797297	117
DRIVING UNIT 797997	117
DRYER WITH PRESSURE SWITCH 797927	385
DUST COVER 023309	155
DUST COVER FOR MUFFLE RED 028363	197
DUST COVER FOR PLUG RED 027976	155
DUST COVER FOR PLUG RED 027962	155
DUST COVER RED 798079	357
DUST DRAINAGE VALVE 029724	19
DUST PROTECTION COVER 797497	39
DUST PROTECTION COVER 028217	151
DUST PROTECTION COVER 028218	159
Draw bar, CAT I 111759	275
EDGE PROTECTION 028954	39
EDGE PROTECTION 029113	45
EDGE PROTECTION 029520	45
EDGE PROTECTION 028866	349
EDGE PROTECTION 028915	349

EDGE PROTECTION 018816	353
EDGE PROTECTON 029193	43
EDGE PROTECTOR 028955	43
EDGE PROTECTOR 029192	47
ELBOW 134868	89
ELBOW 136571	175
ELECTICAL DISTRIBUTOR BLOCK 800741	156
ELECTRICAL BUTTON ORANGE 030240.....	149
ELECTRICAL BUTTON YELLOW 029281	149
ELECTRICAL SWITCH RED 029282	149
ELECTROMAGNETIC CLUTCH 135505.....	249
ELECTROMAGNETIC CLUTCH 150163.....	253
ELECTRONIC BOX 138349	335
ELECTRONIC BOX 145763	365
ELECTRONIC BOX CPL. 137984	335
EMERGENCY DOOR RIGHT 796874	373
EMERGENCY DOOR RIGHT 797715	373
END CAP 797821	285
END CAP 797822	285
END PLATE 789059	147
ENGINE HOOD 139407.....	45
ENGINE HOOD DECOR LEFT 134451	45
ENGINE HOOD DECOR RIGHT 134452	45
ENGINE OIL FILTER 800681	8
ENTRANCE PANEL 790207	147
ENTRANCE PANEL, CONTROL UNIT 800727	134
EQUIPMENT HEATABLE EXTERIOR MIRROR 134597.....	355
EQUIPMENT INSERT IN 135756	289
ERROR LAMP 031330	365
ES-BOLZEN 016642.....	229
ES-BOLZEN 013534.....	229
ES-BOLZEN 025242.....	383
EXCHANGE FILTER 024049.....	23
EXCHANGE FILTER 029723.....	23
EXHAUST INTERMEDIATE PIPE 134406	17
EXHAUST INTERMEDIATE PIPE 134404	17
EXHAUST INTERMEDIATE PIPE 134408	17
EXHAUST TAILPIPE 143692	17
EXTENSION 135097	227
EXTENSION TUBE 797247	399
EXTERIOR MIRROR HEATABLE 141334	355
EXTRA CONTROL UNIT DW 4/4 134911	151
EXTRA CONTROL UNIT, PLUG-IN CLUTCH FRONT 800728.....	134
EXTREME PRESSURE HOSE 028065.....	99
EXTREME PRESSURE HOSE 028974.....	107
EXTREME PRESSURE HOSE 028578.....	107
EXTREME PRESSURE HOSE 029967	111
EXTREME PRESSURE HOSE 030142.....	111
EXTREME PRESSURE HOSE 031382.....	113
EYE SCREW 022592.....	237
EYE SCREW 028550.....	249
EYE SCREW 028670.....	285

EYE SCREW 028669.....	285
EYE SCREW 796746.....	335
End cap 029148.....	27
FAN 798646.....	369
FAN PLATE 798112.....	385
FASTENING PLATE 147378.....	219
FEATHER KEY 031256.....	203
FEATHER KEY 028561.....	249
FEATHER KEY 013873.....	285
FENDER EXTENSION 135816.....	43
FENDER EXTENSION 110013.....	349
FENDER EXTENSION 139415.....	407
FENDER EXTENSIONS 135809.....	39
FENDER EXTENSIONS 135814.....	349
FENDER EXTENSIONS WIDE 135807.....	37
FENDER EXTENSIONS WIDE 135812.....	37
FENDER EXTENSIONS LEFT 134843.....	37
FENDER EXTENSIONS LEFT 134845.....	39
FENDER EXTENSIONS LEFT 135808.....	39
FENDER EXTENSIONS LEFT 140527.....	379
FENDER EXTENSIONS NARROW- 135805.....	37
FENDER EXTENSIONS NARROW- 135811.....	37
FENDER EXTENSIONS RIGHT 134844.....	37
FENDER EXTENSIONS RIGHT 134846.....	39
FENDER EXTENSIONS RIGHT 136160.....	39
FENDER EXTENSIONS RIGHT 140526.....	379
FENDER FLARE LEFT 135009.....	43
FENDER FLARE RIGHT 135010.....	43
FENDER LEFT 134829.....	37
FENDER PLATE 136126.....	349
FENDER REAR RIGHT 134842.....	37
FENDER RIGHT 135813.....	349
FILISTER SHEET METALL SCREW 021931.....	325
FILISTER SHEET METALL SCREW 010450.....	365
FILISTER SHEET METALL SCREW 010451.....	369
FILISTER SHEET METALL SCREW 795904.....	385
FILISTER SHEET METALL SCREW 022632.....	435
FILTER 136569.....	173
FILTER CAP 136462.....	23
FILTER CARTRIDGE 783606.....	33
FILTER ELEMENT 028679.....	87
FILTER HOLDER WITH SUPPORT 136463.....	23
FILTER MAT 796996.....	353
FILTER MAT HEATING-CABINE 796426.....	399
FILTER METAL SHEET 797502.....	353
FINAL COVER 799028.....	145
FITTING LEFT 797543.....	317
FIXING 797630.....	353
FIXING PARTS 799237.....	309
FIXING SOCKET DIN 72571 028998.....	229
FIXTURE 796919.....	353
FLANGE 796744.....	49

FLANGE 796745.....	49
FLANGE 134748.....	87
FLANGE 134283.....	245
FLANGE 151051.....	247
FLANGED SHAT 116413.....	245
FLANGED SHAT 136367.....	285
FLAP 137213.....	13
FLAP 145546.....	17
FLAP 137134.....	227
FLAP 145131.....	235
FLAT BLADE FUSE 026049.....	33
FLAT BLADE FUSE 026604.....	325
FLAT BLADE FUSE 027733.....	327
FLAT BLADE FUSE 026667.....	327
FLAT BLADE FUSE 030126.....	365
FLAT CASTEL NUT 011607.....	59
FLAT GASKET 029097.....	23
FLAT GASKET 794648.....	87
FLAT HEAD SCREW 028263.....	223
FLAT SCREW 010241.....	49
FLAT SEAL RING 029026.....	23
FLAT SEAL RING 010991.....	33
FLAT SEAL RING 014763.....	33
FLAT SEAL RING 010996.....	137
FLEECE STRAP 029265.....	327
FLOOR MAT 798439.....	345
FLOOR MAT 797953.....	365
FLOOR MAT 797954.....	365
FLOOR MAT 797156.....	365
FLOOR MAT (FRONT RIGHT) C300 797469.....	419
FLOOR MAT (f. FOOT SPACE LEFT)C300 797261.....	419
FLOOR MAT (f. SEAT CONSOLE LEFT)C300 797468.....	419
FLOOR PAN 137397.....	13
FLOW DIVIDER 2. CIRCUIT 0-25L/MIN. WITH TANDEM PUMP 137659.....	159
FLOW DIVIDER, UNPRESSURIZED RETURN LINE, LINES, C200 800731.....	156
FLOW DIVIDER, UNPRESSURIZED RETURN LINE, LINES, REAR 800733.....	156
FLUSH- AND SPEISED RUCKVENTIL WITH SCREW 150075.....	119
FOAM MATERIAL 798428.....	375
FOAM MATERIAL C300 798408.....	419
FOAMED PLASTIC 798430.....	365
FOOT GAS PEDAL CABLE 134850.....	237
FOOT GAS SHAFT 135234.....	229
FOOT THROTTLE FOR SDS, C200 800759.....	220
FOOT THROTTLE FOR SDS, C200, AS OF 202 001 845 800758.....	220
FOOT THROTTLE, C200, TILL 202 001 844 800757.....	220
FORK HEAD 022265.....	227
FORK HEAD 016622.....	229
FORK HEAD 025227.....	383
FORKED SLEEVE 028396.....	137
FRAME 134840.....	11
FRAME 134356.....	13
FRAME 797983.....	149

FRAME FRONT 139192	11
FRAME FRONT ASSY. NL 149022	31
FRAME FRONT ASSY. NL 136741	53
FRAME REAR 139191	13
FRAME REAR 147996	13
FRAME, INFLECTION POINT, REAR VALANCE 800677	8
FRONT BLOCK, PTO GEAR FRONT, ARRESTOR HOOK AS OF 05.99 800765	242
FRONT BLOCK, PTO GEAR FRONT, ARRESTOR HOOK TILL 05.99 800764	242
FRONT GLASS LEFT 786496	347
FRONT GLASS RIGHT 786497	347
FRONT LIFT 800766	242
FRONT LIFT 147068	253
FRONT LIFT, REAR LIFT, PTO 800761	7
FRONT SCREEN 796237	337
FRONT- AND REAR PANEL 797626	49
FRONTPLATE 799455	345
FRONTPLATE 799546	403
FUEL CAP 014859	33
FUEL DELIVERY 134468	33
FUEL DELIVERY 110329	35
FUEL DELIVERY 154058	35
FUEL HOSE 155942	33
FUEL HOSE 028788	33
FUEL PIPE 126078	33
FUEL PUMP 798594	33
FUEL TANK 134720	33
FUEL TANK 135349	35
FUEL TANK C200 800684	8
FUEL TANK C300 800685	8
FUEL TANK CAP 029324	33
FUSE 796382	147
FUSE CAP ORANGE 028997	119
FUSE HOLDER WITH COVER 031315	33
FUSE NUT 031201	39
FUSE NUT 025057	45
FUSE NUT 031929	53
FUSE NUT 031928	293
FUSE NUT 025058	335
FUSE NUT 798848	389
Fuse 797921	385
Fuse holder 797734	385
GAS SPRING 789160	331
GAS SPRING 791253	373
GAS SPRING 797231	415
GAS SPRING HOLDER 796241	337
GAS SPRING HOLDER 796238	337
GASKET 134751	87
GASKET 797672	117
GASKET 797673	119
GASKET 128432	123
GASKET 784047	300
GASKET KIT 107053	53

GASKET KIT 149153	53
GASKET KIT 797245	59
GASKET KIT 797769	63
GASKET KIT 797974	63
GASKET KIT 797973	63
GASKET KIT 783726	137
GASKET KIT 110187	137
GASKET KIT 110188	145
GASKET KIT 790320	151
GASKET KIT 140486	265
GASKET KIT 788546	265
GASKET KIT 147828	271
GASKET KIT FOR COUPLING MUFF 026937	155
GASKET KIT FOR LOCK SLEEVE 028551	197
GASKET RING 023876	11
GASKET RING 010394	23
GASKET RING 010401	27
GASKET RING 024287	33
GASKET RING 010391	33
GASKET RING 010389	53
GASKET RING 028810	59
GASKET RING 010395	87
GASKET RING 010397	87
GASKET RING 028702	87
GASKET RING 010392	87
GASKET RING 010402	95
GASKET RING 014771	99
GASKET RING 010387	117
GASKET RING 010388	223
GASKET RING 014772	223
GEAR CHANGE ROD 796344	147
GEAR CHANGE ROD 135223	249
GEAR CHANGE ROD 135150	249
GEAR PUMP 136680	181
GEAR PUMP 140974	195
GEAR PUMP 147988	205
GLOWSHOT WITH 2 KEYS AND FLIP-TOP 026559	325
GRID HOLDER RIGHT 796920	353
GRIP CAP 797188	375
GRIP SLEEVE LEFT C300 797187	429
GROMMET 014775	13
GROMMET 014780	37
GROMMET 014779	37
GROOVE BALL BEARING 010262	245
GRUB SCREW 029061	45
GRUB SCREW 010079	229
GRUB SCREW 022773	235
GRUB SCREW 022256	237
GRUB SCREW 028521	249
GUIDE 799078	311
GUIDE RING 799022	137
GUIDING DISC 798136	363

GUIDING DISC HIGH 798139	361
GUIDING DISC LOW 798138	361
Gasket 783711	17
HAND GRIP 788940	337
HANDGRIP 013939	249
HANDGRIP 788941	331
HANDLE 799236	309
HANDLE 798144	315
HANDLE 799264	315
HANDLE 783119	319
HANDLE 799343	321
HANDLE 788939	333
HANDLE 791335	369
HANDLE NUT 114415	249
HEAD LIGHT 788929	337
HEAD LIGHT WITH POSITION LIGHT 796876	357
HEAT EXCHANGER 796914	369
HEAT EXCHANGER 798114	385
HEATER 12 VOLT C300 796878	423
HEATING 788899	341
HEIGHT ADJUSTMENT 798961	311
HEX HEAD SCREW 011170	227
HEX SCREW 799495	347
HIGH PRESSURE HOSE 025238	53
HIGH PRESSURE HOSE 019287	53
HIGH PRESSURE HOSE 022645	55
HIGH PRESSURE HOSE 028177	101
HIGH PRESSURE HOSE 019297	111
HIGH PRESSURE HOSE 023332	113
HIGH PRESSURE HOSE 021945	127
HIGH PRESSURE HOSE 025369	137
HIGH PRESSURE HOSE 019291	137
HIGH PRESSURE HOSE 027927	141
HIGH PRESSURE HOSE 023344	141
HIGH PRESSURE HOSE 019302	141
HIGH PRESSURE HOSE 022659	151
HIGH PRESSURE HOSE 024230	161
HIGH PRESSURE HOSE 021852	163
HIGH PRESSURE HOSE 019289	169
HIGH PRESSURE HOSE 025239	183
HIGH PRESSURE HOSE 029984	193
HIGH PRESSURE HOSE 019299	217
HIGH PRESSURE HOSE 027909	265
HIGH PRESSURE HOSE (PREASS.) 029682	99
HIGH PRESSURE HOSE (PREASS.) 030922	197
HIGH PRESSURE HOSE (PREASS.) 030604	219
HIGH ROOF 142190	369
HIGH ROOF 799589	369
HIGH-PRESSURE HOSE 026978	15
HINGE 796386	335
HINGE 789161	337
HINGE 789162	337

HINGE 790132.....	357
HINGE BEARING 024933.....	11
HINGE BEARING 012775.....	11
HINGE BEARING 782027.....	137
HINGE BEARING 027502.....	251
HINGE BEARING 030314.....	265
HINGE LEFT 796921.....	373
HINGE PIN C60 789184.....	411
HINGE RIGHT 796916.....	373
HINGE RIGHT 797452.....	375
HINGE RIGHT BELOW 797453.....	375
HINGE SUPPORT 791319.....	357
HINGE SUPPORT C300 797993.....	359
HINGED LID 112531.....	325
HOLDER 136208.....	17
HOLDER 136615.....	17
HOLDER 134265.....	25
HOLDER 137236.....	27
HOLDER 148791.....	31
HOLDER 138085.....	39
HOLDER 136361.....	61
HOLDER 136275.....	61
HOLDER 139262.....	91
HOLDER 148859.....	99
HOLDER 133824.....	147
HOLDER 137500.....	159
HOLDER 136293.....	171
HOLDER 139263.....	179
HOLDER 142094.....	193
HOLDER 141980.....	227
HOLDER 135149.....	251
HOLDER 132765.....	265
HOLDER 135214.....	285
HOLDER 139803.....	355
HOLDER 790779.....	357
HOLDER 797046.....	369
HOLDER 797474.....	371
HOLDER 797619.....	373
HOLDER 143838.....	381
HOLDER 130382.....	443
HOLDER BELT 028309.....	443
HOLDER FACE PLATE 796240.....	397
HOLDER FOR HIGH ROOF 798068.....	369
HOLDER NOTEBOOK 029451.....	300
HOLE WALL 799582.....	365
HOLE WALL COMPLETE 799212.....	49
HOLLOW SCREW 025290.....	23
HOLLOW SCREW 025293.....	29
HOLLOW SCREW 025289.....	33
HOLLOW SCREW 028571.....	59
HOLLOW SCREW 028572.....	59
HOLLOW SCREW 029455.....	61

HOLLOW SCREW 025292	61
HOLLOW SCREW 025294	95
HOLLOW SCREW 026647	95
HOLLOW SCREW 027584	103
HOLLOW SCREW 025291	159
HOLLOW SCREW 026426	223
HOOD COVER 139406.....	45
HOOD REAR, RAILING C200 800688	8
HOOD REAR, RAILING C300 800689	8
HOOK 014318.....	49
HOOK 799333.....	319
HOOK 799346.....	321
HOOK 799347.....	321
HOSE 029134	95
HOSE 029399.....	95
HOSE 029137	95
HOSE 029556	103
HOSE 029557	105
HOSE 029562	139
HOSE 029471	181
HOSE 029226	183
HOSE 028870	295
HOSE 796788	341
HOSE CLAMP 010910.....	19
HOSE CLAMP 010927	19
HOSE CLAMP 030722.....	19
HOSE CLAMP 030720.....	25
HOSE CLAMP 030719.....	25
HOSE CLAMP 029689.....	33
HOSE CLAMP 020658.....	65
HOSE CLAMP 030721.....	95
HOSE CLAMP 010909.....	343
HOSE CLAMP Z52 024902	19
HOSE CLIP NIRO25-40 010902.....	19
HOSE KIT 10X 799623	435
HOSE LINE 028995	23
HOSE LINE 025164	55
HOSE LINE 028699	99
HOSE LINE 126705	101
HOSE LINE 027912	165
HOSE LINE 026693	183
HOSE LINE 028859	283
HOSE NIPPLE 143048	93
HOSE NIPPLE 027931	159
HOSE NIPPLE WITH SUPPORT 027917.....	105
HOSE NIPPLE WITH ADAPTER 029060	95
HOSE NIPPLE WITH ADAPTER 027916	159
HOSE NOZZLE 126486.....	31
HOSE NOZZLE 027314.....	343
HOSE PROTECTION 031041	109
HOSE SEAL 014678.....	19
HOSE SET 797671	381

HOSE SET 799593	381
HOSE SET 801492	381
HOSE SET 797495	381
HOSE SET 799624	435
HOSE SET FLOW DIVIDER, UNPRESSURIZED RETURN LINE 800732	156
HOSE SET REAR FOR ADJUSTABLE ACCESSORIES HYDRAULIC PUMP 140987	201
HOSE SET REAR FOR ADJUSTABLE ACCESSORIES HYDRAULIC PUMP 140985	217
HOSE SET REAR FOR ADJUSTABLE ACCESSORIES HYDRAULIC PUMP, C200 800752.....	190
HOSE SET REAR FOR ADJUSTABLE ACCESSORIES HYDRAULIC PUMP, C300 800745.....	190
HOSE SET REAR FOR POWER HYDRAULICS 800753.....	190
HOSE SLOTTED 028111	225
HOSESET FLOW DIVIDER REAR 136290	161
HOT WATER HOSE 029032	27
HOT WATER HOSE 028914	343
HOT WATER HOSE 028822	343
HOUSING 133925	59
HOUSING 799057	145
HOUSING 029741	193
HOUSING 029593	231
HOUSING 029592	231
HOUSING 145224	365
HYDR. CARRYING DEVICE 136340.....	169
HYDR. CARRYING DEVICE, C200 800734	156
HYDR. CARRYING DEVICE, C300 800735	156
HYDR. PIPE 133812.....	267
HYDR. SIDE ADJUSTMENT 139361	271
HYDR. SIDE ADJUSTMENT FOR FRONT LIFT ATTACHMENT 800771.....	242
HYDR. TILTING MECHANISM 136362	53
HYDRAULIC CYLINDER 108214	53
HYDRAULIC CYLINDER 140184	271
HYDRAULIC CYLINDER DOUBEL ACTING 148288.....	53
HYDRAULIC CYLINDER DOUBEL ACTING 147695.....	271
HYDRAULIC FOR TRAVEL DRIVE 800701.....	7
HYDRAULIC LINE FOR OIL COOLER, AS OF 01.02.03 800705	84
HYDRAULIC LINE FOR OIL COOLER, Till 31.01.03 800704	84
HYDRAULIC LINE REAR AXLE 150054	113
HYDRAULIC LINE REAR AXLE 150053	113
HYDRAULIC LINE REAR AXLE 150055	113
HYDRAULIC OIL TANK, FILTER, AS OF 01.10.99 800703.....	84
HYDRAULIC OIL TANK, FILTER, TILL 30.09.99 800702	84
HYDRAULIC PUMP 787057	93
HYDRAULIC RESERVOIR 134742	87
HYDRAULIC SWITCH PLATE 136354	169
HYDRO CABEL SET 137962	300
HYDRO CABEL SET 150165	300
HYDRO CABEL SET 145198	300
HYDRO CABEL SET 150487	300
HYDRO CYLINDER 128500	137
HYRAULIC TIPPING SYSTEM C200 800691	8
HYRAULIC TIPPING SYSTEM C200 800692	8
IGNITION KEY 026560	325
IMITATION LEATER FABRIC 798431	365

IMPACT CAP 015368	59
IMPULS RING 136360	61
IMPULS RING 136292	61
INCLINED PENDULUM 136242	249
INCLINED PENDULUM FRONT 134971	249
INDEPENDENT WHEEL LOAD 800769	242
INDEPENDENT WHEEL LOAD 141498	267
INDUCTIVE SWITCH 028969	61
INDUCTIVE TRANSMITTER FOR ENGINE SPEED 149124	29
INDUSTRIAL HOSE 028658	99
INDUSTRIAL HOSE 028659	99
INDUSTRIAL HOSE 139399	349
INFORMATION SIGN 800783	7
INFORMATION SIGN 023266	33
INFORMATION SIGN 136628	53
INFORMATION SIGN 800784	302
INFORMATION SIGN 026300	305
INFORMATION SIGN 025148	305
INFORMATION SIGN 019903	305
INFORMATION SIGN 028960	305
INFORMATION SIGN 798569	371
INFORMATION SIGN ATTENTION 141434	161
INNER HEX SCREW 022635	311
INNER-6-HEAD SCREW 011063	21
INNER-6-HEAD SCREW 022858	49
INNER-6-HEAD SCREW 011214	59
INNER-6-HEAD SCREW 011059	107
INNER-6-HEAD SCREW 011062	113
INNER-6-HEAD SCREW 795964	137
INNER-6-HEAD SCREW 023273	147
INNER-6-HEAD SCREW 011867	159
INNER-6-HEAD SCREW 029023	181
INNER-6-HEAD SCREW 011052	181
INNER-6-HEAD SCREW 011206	181
INNER-6-HEAD SCREW 029299	193
INNER-6-HEAD SCREW 027827	195
INNER-6-HEAD SCREW 011056	205
INNER-6-HEAD SCREW 023888	235
INNER-6-HEAD SCREW 030696	247
INNER-6-HEAD SCREW 787897	247
INNER-6-HEAD SCREW 800489	249
INNER-6-HEAD SCREW 028854	285
INNER-6-HEAD SCREW 023095	285
INNER-6-HEAD SCREW 028985	285
INNER-6-HEAD SCREW 799235	291
INNER-6-HEAD SCREW 011204	293
INNER-6-HEAD SCREW 025781	309
INNER-6-HEAD SCREW 011044	331
INSERT SYMBOL 028763	149
INSERT SYMBOL 028760	325
INSERT SYMBOL 024226	325
INSERT SYMBOL 027911	325

INSERT SYMBOL 788591	325
INSERT SYMBOL 028787	325
INSTRUMENT PANEL 799577	365
INSTRUMENT PANEL 799615	419
INTAKE FUNNEL 148798	31
INTEGRATED ADJUSTABLE ACCESSORIES HYDRAULIC PUMP 136752.....	173
INTEGRATED DEVICE SERVO PUMP, DISTRIBUTOR PIPE, FILTER 800736.....	156
INTEGRATED DEVICE SERVO PUMP, DISTRIBUTOR PIPE, FILTER 800737.....	156
INTEGRATED DEVICE SERVO PUMP, FILTER, PLUG-IN CLUTCH, C300 800739.....	156
INTEGRATED DEVICE SERVO PUMP, GEAR PUMP C200 800738	156
INTEGRATED DEVICE SERVO PUMP, GEAR PUMP, C300 800740	156
INTERIOR LIGHT 788927	333
INTERIOR LIGHT 797570	369
INTERMEDIATE FLANGE 124348	245
INTERMEDIATE PLATE 135800	285
JOINT BOLD CLAMP 031243.....	17
JOINT BOLT 134277	13
JOINT CROSS 116213	245
JOINT HEAD 144476	271
JOINT HEAD IM16X1.5 144477	271
JOINT LOCK 130667	251
JOINT LOCK 147266	259
JOINT LOCK 134998	273
JOINT SPINGLE 028532	249
JOINT SPINGLE 113914	273
JOINT SPINGLE 028535	275
KBF CABIN, FRAME, MIRROR, WORKING SPOTLIGHT, C200 800806.....	350
KBF CABIN, FRAME, MIRROR, WORKING SPOTLIGHT, C300 800827.....	408
KEY 138961	39
KEY 788938	331
KEY RING 014305	275
KFB CABIN AS OF 202 001 856, WINDSHIELD; WINDSHIELD WIPERS 800808	350
KFB CABIN, DIRT TRAP, C200 800813.....	350
KFB CABIN, DIRT TRAP, C300 800833.....	408
KFB CABIN, DOORS, REAR WINDOW 800811	350
KFB CABIN, DOORS, REAR WINDOW 800831	408
KFB CABIN, HEATER HOSE, C200 800812	350
KFB CABIN, HEATER HOSE, C300 800832.....	408
KFB CABIN, ROOF, HEATING, WATER TANK 800830	408
KFB CABIN, ROOF, HEATING, WATER TANK, RADIO 800810	350
KFB CABIN, TILL 202 001 855, WINDSHIELD; WINDSHIELD WIPERS 800807.....	350
KFB CABIN, WINDSHIELD; WINDSHIELD WIPERS, C300 800828	408
KIT AIR ACCUMULATOR 800774	242
KIT AIR ACCUMULATOR 142239.....	283
KIT AIR FILTER AS OF 01.10.99 800680	8
KIT AIR FILTER TIL 30.09.99 800679	8
KIT DOUBLE ACTING FONT LIFTING 137297.....	269
KIT FOR LOW PRESSURE HYDRAULIC SYSTEM, AS OF 01.10.99 800718.....	120
KIT FOR LOW PRESSURE HYDRAULIC SYSTEM, TILL 30.09.99 800717	120
KIT FOR WHEEL MOTORS OLD LEFT 143627	63
KIT HYDRAULIC 800730.....	7
KIT HYRAULIC CYLINDER FOR FRONT LIFT 800770.....	242

KIT LAP BELT 147292	309
KIT PLUG-IN CLUTCH 027946	155
KIT, ELECTRIC DISTRIBUTION BLOCK 138351	189
KIT, FOR SDS-DRIVE COMFORT 145916	235
KIT, POWER HYDRAULICS 75L/min 150314	205
KIT, POWER HYDRAULICS 75L/min 147848	213
KNOTTED CHAIN 016613	39
KNOTTED CHAIN 023756	275
LAMP HOLDER WITH GLASS LAMP BASE 796802	325
LAMP HOLDER WITH LAMP FOR SWITCH 797238	327
LEAKAGE OIL HOSE 028748	33
LEAKAGE OIL HOSE 028962	35
LEG SPRING 027602	251
LENS HEAD SCREW 010460	33
LENS HEAD SCREW 010459	35
LENS HEAD SCREW 031198	37
LENS HEAD SCREW 031199	37
LENS HEAD SCREW 023652	39
LENS HEAD SCREW 010457	229
LENS HEAD SCREW 799244	309
LENS HEAD SCREW 010462	317
LENS HEAD SCREW 795912	355
LENS HEAD SCREW 022991	371
LENS HEAD SCREW 026571	373
LENS LEFT 028400	37
LENS RIGHT 028399	37
LEVER 134653	223
LEVER 134371	223
LEVER 137132	227
LEVER 137133	227
LEVER 135243	229
LEVER 135076	229
LEVER 145132	233
LEVER 145018	235
LEVER 145777	239
LEVER 798073	317
LIFT FRAME 134985	251
LIFT FRAME 143319	255
LIFT FRAME 147267	259
LIFTING CYLINDER 134991	265
LIGHTING HOOD YELLOW WITH OPTICS 027952	333
LIMIT STOP 134977	249
LIMIT STOP 131414	291
LIMIT STOP 799250	311
LIMIT STOP 796991	355
LINKAGE SPRING 798416	291
LOCATING BOLT 141727	49
LOCK BAR 797002	331
LOCK BOX, PAINTED C200 797454	375
LOCK CASE LAQUERED 797481	375
LOCK LEFT 788936	331
LOCK NUT 022205	17

LOCK PLATE 796434	331
LOCK RIGHT 788937	331
LOCK SLEEVE 796379	147
LOCKING EYELET 014400	11
LOCKING MUFFLE WITH DUST PROTECTION COVER 027954	151
LOCKING MUFFLE WITH DUST PROTECTION COVER 027968	159
LOCKING PIN 010467	45
LOCKING PIN 010468	53
LOCKING PLATE 141698.....	119
LOCKING RING FOR BORE HOLE 010161	11
LOCKING RING FOR BORE HOLE 010165	59
LOCKING RING FOR BORE HOLE 010162	245
LOCKING RING FOR WAVES 022571	223
LOCKING RING FOR WAVES 010133	239
LOCKING RING FOR WAVES 010144	285
LOCKING SCREW 011261	59
LOCKING SCREW 010407.....	89
LOCKING SCREW 031764.....	93
LOCKING SCREW 011030.....	93
LOCKING SCREW 011037.....	103
LOCKING SCREW 030909.....	103
LOCKING SCREW 139254.....	117
LOCKING SCREW 011035.....	123
LOCKING SCREW 011861.....	139
LOCKING SCREW 011028.....	225
LOCKING TAB 024960	11
LOCKING TAB 790353	357
LOCKING TAB 795775	411
LOCTITE 573 017160	300
LOW PRESSURE EYES RING NIPPLE 030346.....	27
LOW PRESSURE HOSE 031023	29
LOW PRESSURE HOSE 031097	31
LOW PRESSURE HOSE 031098	31
LOW PRESSURE HOSE 030518	87
LOW PRESSURE HOSE 031252	93
LOW PRESSURE HOSE 030427	97
LOW PRESSURE HOSE 030426	103
LOW PRESSURE HOSE 030391	159
LOW PRESSURE HOSE 030393	161
LOW PRESSURE HOSE 030385	163
LOW PRESSURE HOSE 030392	163
LOW PRESSURE HOSE 030394	163
LOW PRESSURE HOSE 030387	163
LOW PRESSURE HOSE 030429	177
LOW PRESSURE HOSE 030422	177
LOW PRESSURE HOSE 030430	177
LOW PRESSURE HOSE 030431	177
LOW PRESSURE HOSE 030433	183
LOW PRESSURE HOSE 030395	193
LOW PRESSURE HOSE 030396	217
LOW PRESSURE HOSE 030397	217
LOW PRESSURE HOSE FOR BASIC 800722.....	120

LOW PRESSURE HOSE FOR FOUR-WHEEL DRIVE 800719	120
LOW PRESSURE HOSE FOR SUMMERPARK 800720.....	120
LOW PRESSURE HOSE FOR SUMMERPARK WITH ROCKER PEDAL 800721	120
LOW PRESSURE HYDRAULIC SYSTEM 800716.....	7
LOW PRESSURE PIPE 031202	91
LOW PRESSURE VALVE BLOCK 029459	125
LOW-PRESSURE HOSE (PREASS.) 030423.....	97
LOW-PRESSURE HOSE (PREASS.) F/L560 030428.....	105
LOWER BRACKET 136682	83
LUBRICATING NIPPLE 010490	11
LUBRICATING NIPPLE 010491	11
LUSTRE CLAMP 012018.....	371
Lenticular plate screw 790327	369
MAGNET 029305.....	159
MAGNET 030490.....	189
MAGNETIC NUT 030491	189
MAGNETIC PLUGS 015354	87
MASTER CYLINDER 117008	223
MEASURING SCREW 027833	99
METAL CLIP PROFILE 029567	27
METAL CRAMP PROFILE 029151	13
METAL CRAMP PROFILE 029309	13
METAL CRAMP PROFILE 029422	19
METAL CRAMP PROFILE 029191	39
METAL CRAMP PROFILE 030035	45
METAL CRAMP PROFILE 030037	45
METAL CRAMP PROFILE 030036	47
METAL CRAMP PROFILE 030712	379
MIRROR 789196.....	333
MIRROR 791247.....	353
MIRROR MOUNTING 796839	353
MODEL ADHESIVE LABEL 137433	45
MODEL ADHESIVE LABEL 137434	45
MOLDING 136748	53
MOUNTING KIT 798962	315
MOUNTING KIT WINDSCREEN WIPER ARM 801263.....	417
MOUNTING ROPE 797218	49
MS-RING 100 MM 789070.....	411
MUD FLAP ASSY. NL. C345 137188	43
MULIFUNCTON SWITCH 137986.....	149
MULTIFUNCTION DISPLAY 134524.....	325
MULTIFUNCTION GRIP 142350	149
NAME PLATE 799030	145
NAME PLATE 135820	347
NAME PLATE HOLDER 139242	305
NARROW V-BELT 029022	181
NARROW V-BELT C345 029250.....	187
NIPPLE 145023	235
NIPPLE 6X24 016620	229
NONRETURN VALVE 022647.....	111
NONRETURN VALVE 136720.....	271
NONRETURN VALVE 796444.....	347

NONRETURN VALVE ADAPTER 028598.....	87
NONRETURN VALVE ADAPTER 028612.....	95
NOTICE STICKER 031428.....	355
NOZZLE 796336.....	337
NOZZLE BORE.21 031129.....	355
NUMBER DISC 137991.....	149
NUT 798140.....	363
NUT INSERT 028894.....	249
O-RING 781584.....	93
O-RING 782140.....	117
O-RING 797820.....	119
O-RING 789108.....	145
O-RING 789107.....	145
O-RING 789106.....	145
O-RING 030805.....	205
O-RING 797666.....	381
O-RING SEAL 014740.....	23
O-RING SEAL 012675.....	23
O-RING SEAL 014742.....	35
O-RING SEAL 028524.....	87
O-RING SEAL 028525.....	87
O-RING SEAL 027362.....	87
O-RING SEAL 029538.....	91
O-RING SEAL 030059.....	93
O-RING SEAL 012661.....	99
O-RING SEAL 023777.....	107
O-RING SEAL 029547.....	107
O-RING SEAL 797818.....	113
O-RING SEAL 014711.....	117
O-RING SEAL 797234.....	117
O-RING SEAL 799024.....	137
O-RING SEAL 029307.....	147
O-RING SEAL 029306.....	147
O-RING SEAL 025385.....	151
O-RING SEAL 014722.....	159
O-RING SEAL 014753.....	181
O-RING SEAL 029216.....	181
O-RING SEAL 014744.....	195
O-RING SEAL 030244.....	195
O-RING SEAL 028552.....	197
O-RING SEAL 025247.....	203
O-Ring 797665.....	381
O-Ring 797664.....	381
OIL FILTER BRACKET 136570.....	173
OIL FILTER BRACKET 142093.....	197
OIL TEMPERATUR REGULATOR 140447.....	91
OPERATING ELEMENTS, PEDAL 800754.....	7
OPERATION 028693.....	151
OPERATION MANUAL 143204.....	300
ORANGE COLOUR SPRAY 020656.....	300
OUTSIDE LOCK 788935.....	331
P.T.O. GEARBOX 138016.....	253

PARALLEL WIPER ARM ADJUSTABLE 797459	361
PARKING BRAKE 800756	220
PARKING BRAKE LEVER 132767	227
PASSENGER SEAT 800791	306
PASSENGER SEAT 137680	315
PEDAL RUBBER 019370	225
PEDAL STICK 131509	223
PEDAL STICK, DRIVING BRAKE, INCH PEDAL 800755	220
PENDULUM 145192	11
PENDULUM BOLT 134279	11
PENDULUM LOCK 134981	275
PENDULUM LOCK REAR 134980	275
PERFORATED STRIP 140973	161
PERFORATED STRIP 137964	179
PILLOW BLOCK 138119	273
PIN 011278	53
PIN CONTACT 029594	231
PIPE 138107	19
PIPE 136578	27
PIPE 134306	37
PIPE 133950	59
PIPE 135436	87
PIPE 132073	91
PIPE 141014	93
PIPE 023197	99
PIPE 133777	99
PIPE 029733	99
PIPE 014281	137
PIPE 139273	177
PIPE 141514	179
PIPE 141009	193
PIPE 030653	203
PIPE 140984	211
PIPE 796342	333
PIPE 138352	393
PIPE CLAMP 023287	17
PIPE CLAMP 031878	17
PIPE CLAMP 015798	21
PIPE CLAMP 028579	107
PIPE CLAMP 028660	153
PIPE CLAMP 023856	167
PIPE CLAMP WITH RUBBER PROFILE 026557	33
PIPE CLAMP WITH RUBBER PROFILE 010934	53
PIPE CLAMP WITH RUBBER PROFILE 026651	149
PIPE CLAMP WITH RUBBER PROFILE 029224	227
PIPE CLAMP WITH RUBBER PROFILE 025596	381
PIPE ELBOW 139261	93
PIPE LINCH PIN 028587	45
PIPE LINCH PIN 030760	259
PIPE SET FLOW DIVIDER 134916	167
PISTON 134976	249
PISTON 134983	275

PISTON ROD 786669.....	137
PIVOT 788368	147
PLASTIC BOLT 797217.....	371
PLASTIC CAP 028911	325
PLASTIC DISC 797593.....	373
PLASTIC PLUG 024271	347
PLATE 789391	145
PLATE 789392.....	147
PLATE 790123.....	357
PLATE BEARING 030174.....	63
PLATE BEARING 026941.....	223
PLUG 015323	39
PLUG 027969	155
PLUG 027955	155
PLUG 027930	155
PLUG 029105	175
PLUG 119331	249
PLUG 799100	313
PLUG 799436	337
PLUG 791320	361
PLUG FOR ROTATING BEACON 791606	353
PLUG 2-POLE 797528.....	300
PLUG 2-POLE 019559.....	325
PLUG 7-POLE 012015.....	37
PLUG ASS. 147265	261
PLUG ASS. 136070	275
PLUG ASS. 153961	293
PLUG CATEGORIE I 147955	293
PLUG-IN CLUTCH FRONT 136493.....	151
PLUG-IN CLUTCH REAR 137111	151
PLUG-IN CLUTCH, ADAPTER 800729	134
PLUNGER 131217.....	251
PLUNGER CYLINDER 422X310X25PRIMING 136446	55
POTENTIOMETER WITH O-RING 137989	149
POWER HYDRAULICS FOR SUMMERPARK, BASIC 800743	190
POWER HYDRAULICS FOR SUMMERPARK, BASIC 800744	190
POWER HYDRAULICS, C200 800751	190
POWER HYDRAULICS, C200, AS OF 202 002 062 800750	190
POWER HYDRAULICS, C200, TILL 202 002 061 800749.....	190
POWER HYDRAULICS, C300 800748	190
POWER HYDRAULICS, C300, AS OF 203 000 805 800747	190
POWER HYDRAULICS, C300, TILL 203 000 804 800746.....	190
PREASS. WHEEL MOTOR LEFT REAR WITHOUT BRAKE 149917.....	63
PREASS. WHEEL MOTOR LEFT REAR WITHOUT BRAKE 150311.....	67
PREASS. WHEEL MOTOR RIGHT REAR WITHOUT BRAKE 149916	63
PREASS. WHEEL MOTOR RIGHT REAR WITHOUT BRAKE 150310	67
PRESSURE GAUGE 029089	173
PRESSURE GAUGE CONNECTION 023609	169
PRESSURE LINE 134326	107
PRESSURE LINE 134327	107
PRESSURE LINE 134328	107
PRESSURE LINE 135161	107

PRESSURE LINE 135162	107
PRESSURE LINE 135665	265
PRESSURE LINE AS OF 202001845, 203000740 800711	84
PRESSURE LINE, TILL 202001844, 203000739 800710	84
PRESSURE LINE, VARIABLE DISPLACEMENT PUMP AS OF 202 002 319 800713.....	84
PRESSURE PIPE 031289	73
PRESSURE PIPE 028708	127
PRESSURE PIPE 028707	127
PRESSURE PIPE 029463	127
PRESSURE PIPE 028710	127
PRESSURE PIPE 029462	127
PRESSURE PIPE 029465	127
PRESSURE PIPE 026928	127
PRESSURE PIPE 029464	127
PRESSURE PIPE 029466	127
PRESSURE PIPE 026924	129
PRESSURE PIPE 028716	129
PRESSURE PIPE 028719	129
PRESSURE PIPE 029012	129
PRESSURE PIPE 029388	133
PRESSURE PIPE 027081	133
PRESSURE RELIEF CARTIDGE 029740	193
PRESSURE RELIEF VALVE 030243	111
PRESSURE RELIEF VALVE 798061	117
PRESSURE RELIEF VALVE 029087	173
PRESSURE SPRING 013654.....	59
PRESSURE SPRING 136689.....	83
PRESSURE SPRING 026885.....	105
PRESSURE SPRING 013652.....	173
PRESSURE SPRING 029719.....	241
PRESSURE SPRING 028533.....	249
PRESSURE SWITCH 797645	385
PRESSURE TUBE 028711	127
PRESSURE TUBE 028709.....	127
PRESSURE- AND RETURN LINE FOR STEERING C200 800706	84
PRESSURE- AND RETURN LINE FOR STEERING C300 800707	84
PRESSURELESS RETURN FLOWFRONT C300TYPE 203-80-29 145095	163
PROFILE 797051	373
PROFILE RING 015752.....	31
PROFILE RING 015751	31
PROFILE RING 015749.....	55
PROFILE RING 029527	73
PROFILE RING 022531	87
PROFILE RING 015750.....	89
PROFILE RING 026488.....	107
PROFILE RING 023797	107
PROFILE RING 029488.....	119
PROOF WASHER 015680.....	25
PROOF WASHER 013603.....	59
PROOF WASHER 015629.....	273
PROP.-MAGNET ROUND FOR EP3 797998.....	117
PROPORTIONAL AMPLIFIER 145187.....	365

PROPORTIONAL SOLENOID 787466	117
PROPORTIONAL SOLENOID 797291	117
PROTECTING CAP 124040	223
PROTECTION COIL 798141	381
PROTECTIVE GRID RAL 7021 138019	39
PROTECTIVE HOSE 031804	35
PROTECTIVE HOSE 029107	175
PROTECTIVE SLEEVE 125269	285
PTO FRONT, AS OF 202 000 033; 203 000 880 800763.....	242
PTO FRONT, TILL 202 000 032; 203 000 879 800762	242
PTO GEAR 134712.....	285
PTO GEAR FRONT 134711	249
PTO GEAR REAR, DRIVE SHAFT 800775	242
PTO SHAFT PROTECTION 135032	249
PTO SHAFT PROTECTION 135080	285
PTO SHAFT PROTECTION RUBBER 135082	285
PTO SHAFT REAR 540 rpm 134908.....	285
PU-FOAM 029308.....	13
PU-FOAM 029057.....	25
PU-FOAM 029145.....	27
PU-FOAM 029568.....	43
PU-FOAM C200 029143	25
PU-FOAM C300 029144	25
PULL ROD 137300	227
PULL ROD 137143	227
PULL ROD 135240	229
PULL ROD 029294	229
PULL ROD 145133	235
PULL ROD 145519	235
PULL ROD 145134	235
PULL ROD 135334	289
PULL ROD 798418	291
PUMP BEARING 136561.....	181
PUMP BEARING WITH ELECTRIC CLUTCH - 139195.....	181
PUMP COVER 142636	181
PUMP RETAINER 136562.....	181
PUMP SUPPORTER 142634	181
PUSH-ON CONTACT 023676	371
PUSH-ON CONTACT 023677	371
Pressure pipe 028712	127
Protection screen 790432	369
QUICK LOCKING CLAMP 126774	19
RADIATOR SCOOP EXTENSION 137402.....	27
RADIO INSTALLATION KIT WITH CD-PLAYER 149106.....	371
RADIO WITH CD-PLAYER 031126	371
RAIL 130314	251
RAIN CAP 026791	19
REAR 3PT. LINKAGE 134904	273
REAR CONSTRUCTIONS, BATTERY, FENDER C200 800686.....	8
REAR CONSTRUCTIONS, BATTERY, FENDER C300 800687	8
REAR LIFT ATTACHMENT 147169	279
REAR LIFT ATTACHMENT 147164	279

REAR LIFT SHORT 800773	242
REAR LIFT, BEARING BOCK, ARRESTOR HOOK 800772	242
REAR LIGHT PLATE 139447	13
REAR PROTECTION, TRAILER HITCH 800778	286
REAR VALANCE WITH APERTURE 141341	13
REAR VALANCE WITHOUT APERTURE 141340	13
REAR WINDOW 786498	335
REAR WINDOW 796995	373
REAR WINDOW 786510	393
REAR WINDOW C300 796997	427
REAR WINDOW LEFT 796969	373
REAR WINDOW RIGHT 796971	373
REAR WINDOW RIGHT C300 796988	427
REAR WINDOW, SIDE WINDOW, ROTATING BEACON, C300, VCI 800820	386
RECEPTACLE HOUSING 797003	325
RECEPTACLE HOUSING 797783	359
RECEPTACLE HOUSING 2-POLE 030570	355
REDUCING CONNECTOR 031881	15
REDUCING NOZZLE 028619	93
REDUCING NOZZLE 028618	137
REDUCING NOZZLE 029745	197
REDUCING NOZZLE 029754	197
REDUCTION UNION 025125	155
REGULATOR CARTRIGE 138896	119
RELAY DOUBLE MAKE CONTACT 12 V 031118	385
RELAY SOCKET 031119	385
REPAIR SET 119380	223
REPAIR SET FOR COVER 798963	315
REST RAIL 129923	291
RETAINER 796431	333
RETAINER WITH RESILIENT JOINTING 028932	107
RETAINER WITH RESILIENT JOINTING 797819	113
RETAINING BRACKET 029528	11
RETAINING BUSH 134594	45
RETAINING PLATE ARMY 129270	443
RETAINING STOPPER 782827	319
RETROFIT KIT 146590	245
RETROFIT KIT 151370	245
RETROFIT KIT 151371	245
RETROFIT KIT BOLT FOR SLAPSTICK 141508	49
RETROFIT SCOPE 137344	345
RETROFIT SCOPE 137345	403
RETURN FILTERS 028522	87
RETURN FLOW FRNT FOR SWEEPING MACHINE 140986	161
RETURN FLOW HOSE 027102	27
RETURN FLOW HOSE 027085	91
RETURN FLOW HOSE 135207	99
RETURN FLOW HOSE 027928	105
RETURN FLOW HOSE 030638	197
RETURN FLOW REAR FOR MOUNTED SPREADER 140151	161
RETURN FLOW SUCTION FILTERS 029431	91
RETURN HOSE 029752	201

RETURN HOSE 030688	219
RETURN LINE 136171	159
RETURN LINE 133917	175
RETURN LINE 133329	179
RETURN LINE FOR FLUSHING VALVE 150164	113
REVERSION KIT 139007	255
REWORK DRAWING FOR CARRIER DEVICE 136353	169
REWORK DRAWING f. FLOW-DIVIDER 137205	171
RIGHT FRONT WHEEL MOTOR MOUNT. 138705	59
RIGHT FRONT WHEEL MOTOR MOUNT. 138704	59
RING 136674	33
RING 028103	49
RING 028570	59
RING 030175	63
RING 030176	63
RING 789110	145
RING 783392	145
RING 028544	251
RING 799239	309
RING 799311	319
RING NUT 796337	49
RING PIECE 029454	61
RING PIECE 029453	61
RKL-HOLDER 796993	353
ROCKER PEDAL 800760	220
ROCKER PEDAL 144177	241
ROD FOR ROTARY LATCH LOCK 797434	375
ROLL 797602	311
ROLL 799079	311
ROOF BOX LEFT 796805	333
ROOF BOX LEFT 797302	369
ROOF BOX RIGHT 796804	333
ROOF BOX RIGHT 797287	369
ROOF HATCH 796967	333
ROOF HATCH 799506	333
ROOF HATCH COMPLETE 796935	391
ROOF INSULATION 797090	369
ROOF INSULATION GREY ME. C300 142319	423
ROOF SCREEN 786491	333
ROOF WINDOW 786503	391
ROOF WINDOW 797544	415
ROOF WINDOW COULORED 797733	357
ROUND NOZZLE 797131	369
ROUND-HEAD SCREW 011806	37
ROUND-HEAD SCREW 028219	49
ROUNDHEAD SCREW 028928	55
RUBBER 799500	347
RUBBER BEAK 028560	43
RUBBER CAP 114820	37
RUBBER CAP 030819	355
RUBBER COLLAR 127054	35
RUBBER DISC 790812	373

RUBBER GASKET PROFILE 797040	373
RUBBER HOUSING 797016	359
RUBBER PRESSURE TAPE 789326	337
RUBBER PROTECTION 788930.....	337
RUBBER PROTECTION CAP 792056	353
RUBBER SEAL FOR PLUG 138124.....	443
RUBBER VALVE 018981.....	295
RUBBER VALVE 018982.....	295
Rear window glass left 796987	427
Relais 797878	385
Rotating beacon 027888	353
SAFETY CATCH 012007.....	241
SAFETY CATCH 023574.....	337
SAFETY DISC 029195.....	227
SAFETY DISC 799097.....	311
SAFETY SCREW 029214.....	187
SAFETY SCREW 013550.....	247
SAFETY SWITCH 019593.....	223
SCREEN 135521	245
SCREW 028910.....	19
SCREW 789420.....	145
SCREW 789421	145
SCREW ADAPTER 117010.....	223
SCREW NIPPLE 022563.....	229
SCREW SEAL 028795.....	103
SCREW UNION,STRAIGHT 023611	169
SCREW WASHER 029917	255
SCREW WITH BORE HOLE 799029.....	145
SCREWED BOLT 025339	147
SCREWED BOLT 022416	237
SCREWED BUSH 783390.....	145
SEAL 014765.....	169
SEAL BRUSH 137552	47
SEAL BRUSH 152716	47
SEAL BRUSH 137553	47
SEAL BRUSH 152715	47
SEAL HOSE PROFIL 026279.....	300
SEAL PROFILE 790377.....	385
SEAL TAPE 797526.....	355
SEALING CAP 108528	137
SEALING CAP 799248	309
SEALING CAP 799290	317
SEALING CAP 796782	345
SEALING CAP 799489	345
SEALING CAP FOR STEERING WHEEL 153258	137
SEALING COMPOUND 028262	300
SEALING COMPOUND LOCTITE 270 022914	300
SEALING COVER 141699.....	119
SEALING COVER 025575.....	327
SEALING COVER 023251.....	399
SEALING PROFILE 789135	331
SEALING PROFILE 028916	349

SEALING RING 029515.....	33
SEALING RING 783816.....	117
SEALING RING 789109.....	145
SEAT 800785.....	7
SEAT CARRIER 137648.....	407
SEAT CUSHION 796907.....	309
SEAT CUSHION 798166.....	315
SEAT CUSHION 783116.....	317
SEAT CUSHION PVC DIVER SEAT 150631.....	309
SEAT PAD LEFT 136283.....	407
SEAT PAD RIGHT 136282.....	407
SEAT VALVE 029366.....	189
SEATVALVE 029304.....	159
SET OF SPRINGS 783400.....	145
SHAFT 135224.....	59
SHAFT 143265.....	63
SHAFT 131504.....	223
SHAFT 134282.....	245
SHAFT LEFT 143639.....	63
SHAFT RIGHT 143264.....	63
SHAFT SEAL 030954.....	59
SHAFT SEAL 023146.....	59
SHAFT SEAL 790832.....	117
SHAFT SEAL 030402.....	245
SHAFT SEAL 010667.....	253
SHAFT SEAL 010567.....	285
SHAFT SEAL 011989.....	285
SHAFT SEAL 011990.....	285
SHIFT RAIL SET 797484.....	309
SHIM 011327.....	11
SHIM 010087.....	11
SHIM 023415.....	11
SHIM 119669.....	11
SHIM 119670.....	11
SHIM 136342.....	11
SHIM 010046.....	11
SHIM 022373.....	13
SHIM 010044.....	13
SHIM 012537.....	17
SHIM 016505.....	17
SHIM 028085.....	17
SHIM 014912.....	25
SHIM 032092.....	27
SHIM 010464.....	31
SHIM 025055.....	33
SHIM 011749.....	33
SHIM 016501.....	35
SHIM 010463.....	37
SHIM 031200.....	37
SHIM 023819.....	39
SHIM 016526.....	39
SHIM 011750.....	39

SHIM 010047	49
SHIM 010051	49
SHIM 799221	49
SHIM 010050	49
SHIM 028132	49
SHIM 010048	51
SHIM 799223	53
SHIM 014878	117
SHIM 789428	145
SHIM 023292	147
SHIM 010088	223
SHIM 027177	225
SHIM 135678	245
SHIM 015628	251
SHIM 015653	255
SHIM 029391	255
SHIM 029383	255
SHIM 025102	285
SHIM 014883	285
SHIM 029413	285
SHIM 028011	289
SHIM 010085	309
SHIM 799082	311
SHIM 013717	319
SHIM 010886	325
SHIM 799368	331
SHIM 789294	335
SHIM 789295	335
SHIM 010887	335
SHIM 799435	335
SHIM 799442	337
SHIM 796335	337
SHIM 799444	337
SHIM 799475	345
SHIM 799476	345
SHIM 799497	347
SHIM 799502	347
SHIM 799008	355
SHIM 797915	355
SHIM 791317	357
SHIM 791316	357
SHIM 790780	357
SHIM 798137	363
SHIM 790811	369
SHIM 010885	413
SHIMDIN 125 A 15 030912	27
SHOCK ABSORBER 796956	311
SHRINK HOSE 029120	19
SHRINK HOSE 029121	21
SHUTLE HOUSING 028350	271
SHUTLE NOZZLE 028346	271
SIDE PART REAR RIGHT 134826	37

SIDE WINDOW LEFT 786499	335
SIDE WINDOW LEFT 796417	393
SIDE WINDOW RIGHT 786501	335
SIDE WINDOW RIGHT 796418	393
SIGNAL HORN 021098	225
SIGNALING DEVICE 138354	327
SIGNATURE 021937	305
SIGNATURE 019416	305
SINGLE WIRE SEAL 030140	29
SIPHON ANGLE 138108	19
SL-FUSE 022264	223
SLEEVE 796378	147
SLEEVE 788934	331
SLEEVE 797237	347
SLIDE ADJUSTMENT 783120	319
SLOTHEAD SCREW 013913	41
SLOTHEAD SCREW 010453	363
SLOTHEAD SCREW 795911	365
SMALL CLIP 014379	229
SMALL CAB WINDOW, LEFT C300 797042	413
SNAP RING 781751	137
SNAP RING 031257	203
SOCKET 796384	147
SOCKET 799111	309
SOCKET 797603	311
SOCKET CONTACT 030139	29
SOCKET HOUSING 030325	29
SOCLE FOR CABLE BAND 028977	327
SOLENOID COIL 030540	189
SPACER 117009	223
SPACER DISC 789169	147
SPACER DISC 151362	247
SPACER DISC 137650	349
SPACER OSP 783397	145
SPACER PLATE 796960	357
SPACER RING 134278	11
SPACER RING 134280	11
SPACER RING 134281	11
SPACER RING 134285	19
SPACER RING 031957	53
SPACER RING 028168	223
SPACER RING 140179	245
SPACER RING 151175	265
SPACER SLEEVE 026576	117
SPACER SLEEVE 798135	363
SPACER SLEEVE 797044	373
SPACER TUBE 023873	11
SPACER TUBE 015455	27
SPACER TUBE 134269	137
SPACER TUBE 134268	137
SPACER TUBE 796389	147
SPACER UNIT 153121	17

SPARE CARTRIDGE 134798	19
SPARE FILTER ELEMENT 029432.....	91
SPEED SENSOR INDUCTIVE 128337	27
SPIGOT FOR LIFT, ARRESTOR HOOK 800767	242
SPIGOTS 146592	263
SPIGOTS 147052	263
SPIGOTS 135327	289
SPINDLE NOZZLE 131664.....	365
SPIRAL CABLE HOLDER 796603.....	339
SPIRAL ELECTRIC CABLE 796602	339
SPLINT 011735.....	11
SPLINT 010037.....	59
SPLIT FLANGE 028582	107
SPLIT PIN 010030	49
SPLIT PIN 011146	231
SPLIT PIN 796081	289
SPONGE RUBBER C300 796989	373
SPRAY PLAPS LEFT 136285.....	349
SPRAY PLAPS LEFT 136287	407
SPRAY PLAPS RIGHT 136284	349
SPRAY PLAPS RIGHT 136286	407
SPRAYING NOZZLE 797075	357
SPRING 796381	147
SPRING FOR SEAT 800787	306
SPRING FOR SEAT 800790	306
SPRING PIN 011968	13
SPRING PIN 013706	13
SPRING PIN 789424	145
SPRING PIN 010590	147
SPRING PIN 010606	235
SPRING PIN 028891	249
SPRING PIN 010598	249
SPRING PIN 010603	251
SPRING PIN 010602	251
SPRING PIN 027591	251
SPRING PIN 029377	255
SPRING PIN 010610	255
SPRING PIN 010607	275
SPRING PLUG 010471.....	55
SPRING PLUG 029211.....	227
SPRING PLUG 028819.....	289
SPRING RING 011140	17
SPRING RING 010056	39
SPRING RING 011139	83
SPRING RING 010447	193
SPRING RING 012547	205
SPRING RING 012546	205
SPRING RING 010057	245
SPRING RING 010058	291
SPRING RING 011138	353
SPRING RING 795453	371
SPRING SUSPENSION 798348.....	311

SPRING WASHER 010065.....	11
SPRING WASHER 010064.....	11
SPRING WASHER 010063.....	13
SPRING WASHER 031456.....	17
SPRING WASHER 011742.....	25
SPRING WASHER 010061.....	37
SPRING WASHER 010066.....	181
SPRING WASHER 011741.....	229
SPRINKLER PUMP 797764	371
SQUARE PLUG 021859	347
SQUARE SEAL 796351.....	59
SQUARE SEAL 796263.....	59
SQUEEGEE 030060	93
SRVK-MUFFELE 029738	197
STEERING BOLT 134267	137
STEERING COLUMN 131631	137
STEERING COLUMN 122419	137
STEERING COVER 132034.....	159
STEERING COVER 135767	325
STEERING COVER 799580.....	365
STEERING RACK 134154.....	137
STEERING UNIT 123008	137
STEERING UNIT 125947	141
STEERING WHEEL 118729.....	137
STEERING WHEEL 153257	137
STEERING WHEEL, STEERING, STEERING CYLINDER, C200 800724	134
STEERING WHEEL, STEERING, STEERING CYLINDER, C300 800725	134
STEERING, DANFOSS,OSPC 50 LS; OSPC 100 LS 800726	134
STEERING, PLUG-IN CLUTCH 800723.....	7
STEM DISC LEFT 797077	359
STEM WINDOW RIGHT 796982	359
STEM WINDOW RIGHT 797076	413
STICKER 023420.....	155
STICKER 023418.....	305
STICKER 023419.....	305
STICKER 023421.....	305
STICKER 028169.....	305
STICKER 028170.....	305
STIRRUP 790127	369
STOP BRACKET 113597	11
STRAIGHT CONNECTION 030114.....	111
STRAIGHT MALE CONNECTING PIPE 030684.....	185
STRAIGHT NOZZLE 031290.....	73
STRAIGHT NOZZLE 028642.....	93
STRAIGHT NOZZLE 030599.....	93
STRAIGHT SCREW IN UNION 028568	87
STRAIGHT SCREW IN UNION 028567	123
STRAIGHT SCREW-IN FITTING 029004.....	23
STRAIGHT SCREW-IN FITTING 028603.....	31
STRAIGHT SCREW-IN FITTING 028608.....	53
STRAIGHT SCREW-IN FITTING 028605.....	73
STRAIGHT SCREW-IN FITTING 028595.....	87

STRAIGHT SCREW-IN FITTING 028597	89
STRAIGHT SCREW-IN FITTING 029058	89
STRAIGHT SCREW-IN FITTING 028625	91
STRAIGHT SCREW-IN FITTING 028596	99
STRAIGHT SCREW-IN FITTING 028607	111
STRAIGHT SCREW-IN FITTING 031166	111
STRAIGHT SCREW-IN FITTING 028602	111
STRAIGHT SCREW-IN FITTING 028609	125
STRAIGHT SCREW-IN FITTING 028606	147
STRAIGHT SCREW-IN FITTING 028613	171
STRAIGHT SCREW-IN FITTING 028610	173
STRAIGHT SCREW-IN FITTING 029092	193
STRAIGHT SCREW-IN FITTING 015848	193
STRAIGHT SCREW-IN FITTING 028633	201
STRAIGHT SCREW-IN FITTING 028604	265
STUB SHAFT 134270	59
STUB SHAFT 134271	59
STUD SCREW 011641	11
STUD SCREW 029141	13
STUD SCREW 011928	87
STUD SCREW 011609	89
STUD SCREW 028397	137
STUD SCREW 011012	321
STUD SCREW 011617	407
SUCTION FAN 137165	25
SUCTION FILTER ELEMENT 029539	87
SUCTION FLANGE 797781	93
SUCTION HOSE a. 029408 029373	105
SUCTION LINE 134866	103
SUCTION LINE 134861	105
SUCTION LINE 134869	105
SUCTION LINE FOR HYDRAULIC DRIVE 800708	84
SUCTION LINE FOR TRAVEL DRIVE, FOUR-WHEEL DRIVE 800709	84
SUN PROTECTION 798426	357
SUN PROTECTION FILM 796487	333
SUN PROTECTION FILM 796488	391
SUN ROOF 796964	369
SUN SHADE C300 797483	415
SUN VISOR 133464	325
SUPPORT 135294	11
SUPPORT 134930	249
SUPPORT FOR PLATFORM 136518	49
SUPPORT FOR PLATFORM 136519	49
SUPPORT SLEEVE 028979	73
SUPPORT SLEEVE 026929	111
SUPPORTING PLATE RIGHT 134367	35
SUSPENSION 796953	311
SUSPENSION 796815	313
SUSPENSION UNDER PART 796952	313
SWING LEVER 798417	291
SWING LEVER 798419	291
SWITCH 796801	149

SWITCH 023659	223
SWITCH 028757	325
SWITCH 028762	325
SWITCH 030735	325
SWITCH 030849	385
SWITCH FOR AIR CONITIONAL VALUE 781547	341
SWITCH HEATER 028764	325
SWITCH LIGHT 028767	325
SWITCH PLATE ENGINE SPEED 133161	305
SWITCH PLATE PTO ON-OFF 019841	443
SWITCH WINDSHILD WASHER 028759	325
SYMBOL 137987	149
SYMBOL 028765	325
SYMBOL 788595	325
SYMBOL 023747	327
SYMBOL 028463	327
SYNTHETIC LEATHER 798429	375
SYNTHETIC LEATHER COVER C300 798409	419
Screw 011888	25
Screw washer 029251	187
Service bag for vehicle documentation 031316	300
Spacer unit 796343	27
T- REDUCER NOZZLE 028584	107
T-NOZZLE 031272	113
T-NOZZLE 027297	133
T-NOZZLE 028611	163
T-PIECE 132283	31
TAIL 028783	149
TAIL PROTECTION ASS. NS. TYPE202 RAL 7021 148911	291
TAIL PROTECTION ASS. NS. TYPE203 RAL 7021 148619	291
TAILPIPE 800678	8
TAILPIPE 134875	17
TAILPIPE GASKET 114231	17
TAPER HANDLE 022203	289
TAPER ROLLER BEARING 023147	59
TAPER ROLLER BEARING 012854	59
TAPER ROLLER BEARING 012853	311
TEMPERATURE SWITCHER 031071	31
TENSION DISC 028380	251
TENSION SPRING 136688	83
TENSION SPRING 136690	83
TENSION SPRING 028264	225
TENSION SPRING 013693	229
TENSION SPRING 015567	231
TENSION SPRING 030613	239
TENSION SPRING 799067	311
TENSION SPRING 799077	311
TENSION SPRING 799306	319
TENSION SPRING 799307	319
TENSION STRIP 018748	35
TENSIONING BLOCK 136911	251
TENSIONING BRACKET 136573	181

TENSIONING WEDGE 140185	251
THERMOSTAT COMPL. 797656.....	385
THREAD BOLT 027586	61
THREAD BOLT 026121	169
THREAD BOLT 029196	227
THREADED NIPPLES 133793	35
THREADED NIPPLES 023505	169
THREADED PIN 028265	225
THREADED PIN 031380	229
THREADED PLATE 799219	49
THREADED PLATE 135790	49
THREADED PLATE 135791	49
THREADED PLATE 797520	353
THREE LEG SPRING 029043	229
THREE WAY BALL VALVE 023920	31
THREE WAY BALL VALVE 029028	53
THROTTLE 145021	233
THROTTLE 145773	239
TIE ROD 135078.....	249
TIE ROD 135079.....	249
TILT STAR HANDLE 028530.....	137
TILTING GLASS 797456	361
TIPPING CYLINDER 158103.....	265
TIRE 26X12.00-12/8 124622	295
TIRE 31x15.50-15 08 XTR TL 027163.....	295
TIRE 205/60 R15 TL 95H 029002.....	295
TIRE 26X12.00-12/8 T411 IMPL 028502.....	295
TIRE 27/14LL-15 6PR/TL 029531.....	295
TIRE 31X11,50R15 029063	295
TIRE 31X15.50-15 4PR/TL 029532	295
TIRE 33X12,5R15C 027185	295
TISSUE GREW 799012	423
TOGGLE 799066	311
TOGGLE 791318	357
TOOL BAG BUNDESWEHR 147352.....	443
TOOL KIT 91070000059 019808.....	300
TOOTHED LOCK WASHER 010327	353
TOOTHED LOCK WASHER 029020	399
TOP LINK BLOCK, FRONT 141208	249
TOP LINK CATEGORIE 1 119333.....	249
TOP LINK CATEGORIE 1 113913.....	273
TOWING COUPLER AUTOMATIC 147364.....	289
TRAILER COUPLING, BALL HITCH 800777	286
TRAILER HITCH ITALIAN VERSION 800779	286
TRAILER HITCH ITALIAN VERSION 154072	293
TRAILER HITCH NOT AUTOMATIC 134906	289
TRAILER HITCH WITH PLUG 153960	293
TRAILER HITCH WITHOUT PLUG 135003	289
TRAILER HITCH WITHOUT PLUG 150131	289
TRAILER HITCH, REAR PROTECTION, TIRE, CABLE SET 800776	7
TRANSDUCER 133005	229
TRAVERSE 135321	289

TUBE 105050.....	19
TURCON GLYD RING 799023	137
TURN SIGNAL 797012.....	357
TURNING HANDLE FOR STEERING WHEEL 153259	137
TURNING HANDLE WITH CAP 797615.....	161
TURNING SLAM LOCK LEFT 797181	375
TURNING SLAM LOCK RIGHT 797186	373
TWIST GRIP 022589	137
TWO-WAY VENTILATION FILTER 022285	53
TYPE ADHESIVE LABEL 143295	45
TYPE ADHESIVE LABEL 143296	45
TYPE PLATE 022686	45
TYRE 31X11,50-15-4PR 025757	295
Temperature sender 020899.....	87
Towing hook automatic 129922	291
ULTRAHIGH PRESSURE HOSE ASSY. 029406.....	109
ULTRAHIGH PRESSURE HOSE ASSY. 029405.....	109
UNDERLAY 797045.....	373
UNION NUT 015727	31
UNION NUT 015725	31
UNION NUT 015723	55
UNION NUT 029526	73
UNION NUT 022529	87
UNION NUT 015724	89
UNION NUT 026487	107
UNION NUT 023796	107
UNION NUT 029011	119
UNION NUT 015728	119
UNIVERSAL JOINT SHAFT ASSY. 136544	285
UNIVERSAL SHAFT 139801	285
UNPRESSURIZED RETURN LINE FRONT 145094	163
UNPRESSURIZED RETURN LINE REAR LEFT 139428.....	159
USE SIGN 030770	385
USE SIGN GREEN 030776	325
V-BELT 784056.....	25
V-BELT 784043.....	25
V-BELT 797239.....	381
V-BELT 031416.....	381
V-BELT FLYWHEEL MASS 136560	181
V-BELT PULLEY 799206	25
V-BELT PULLEY 799207	25
VALVE 028657.....	123
VALVE 797248.....	313
VALVE BLOCK 119026	137
VALVE BLOCK ELECTRICAL 800742.....	7
VALVE BODY 029303	159
VALVE COVER SEALING 784039	300
VALVE PLATE 028692	147
VALVE PLATE 028695	147
VALVE PLATE 029688	147
VALVE PLATE 028696	151
VALVE PLATE 028694	151

VARIABLE DISPLACEMENT PUMP 800714	84
VARIABLE DISPLACEMENT PUMP 800715	84
VCI CABIN, DIRT TRAP, C200 800804.....	328
VCI CABIN, DIRT TRAP, C300 800825.....	386
VCI CABIN, DOOR; C200 800797.....	328
VCI CABIN, DOOR; C300 800818.....	386
VCI CABIN, FLOO PAN, COVER PLATES, HEAD LIGHT 800803.....	328
VCI CABIN, FLOO PAN, COVER PLATES, HEAD LIGHT, C300 800824	386
VCI CABIN, HEATER HOSE, C200 800802.....	328
VCI CABIN, HEATER HOSE, C300 800823.....	386
VCI CABIN, HEATING, C200 800801.....	328
VCI CABIN, HEATING, C300 800822.....	386
VCI CABIN, REAR WINDOW, SIDE WINDOW, C200 800799.....	328
VCI CABIN, ROOF, MIRROR, C300 800819.....	386
VCI CABIN, ROOF, MIRROR, ROTATING BEACON, C200 800798.....	328
VENT WINDOW PANE C300 797164	415
VENTILATION FILTER 136654	87
WARM AIR HOSE 791002.....	341
WARNING FOIL LEFT 138122	445
WARNING FOIL RIGHT 138123.....	445
WASHER 797594	373
WATER COOLER 148790	31
WATER TANK 791136.....	369
WATER TANK 797451.....	371
WAVE RIGHTD=56X195 133949	59
WELD ROLL BAND 797145	355
WELDED SOCKET 029384	251
WHEEL 136461	295
WHEEL 108103	295
WHEEL 31X11,50-15 135663.....	295
WHEEL 26X12.00-12 134891	295
WHEEL 33x12,50R15 128609	295
WHEEL 26X12,00-12 TERRA 134706.....	295
WHEEL BOLT 029784	65
WHEEL CYLINDER 136687	83
WHEEL ENGINE 135211.....	59
WHEEL ENGINE 135210.....	59
WHEEL ENGINE 143626.....	63
WHEEL ENGINE 143298.....	63
WHEEL FLANGE 134274	59
WHEEL LOAD 135146.....	265
WHEEL LOAD, HYDRAULIC FOR FRONT LIFT ATTACHMENT 800768.....	242
WHEEL MOTOR 143299	63
WHEEL MOTOR FRONT LEFT 150002.....	71
WHEEL MOTOR FRONT LEFT 148843.....	79
WHEEL MOTOR FRONT LEFT 149923.....	79
WHEEL MOTOR FRONT REAR 148847.....	67
WHEEL MOTOR FRONT REAR 148842.....	79
WHEEL MOTOR FRONT RIGHT 150001	71
WHEEL MOTOR FRONT RIGHT AND LEFT WITHOUT BRAKE 149922	79
WHEEL MOTOR REAR LEFT WITHOUT BRAKE 148848	67
WHEEL MOTOR REAR LEFT WITHOUT BRAKE 148841	79

WHEEL MOTOR REAR LEFT WITHOUT BRAKE 149921	79
WHEEL MOTOR REAR RIGHT WITHOUT BRAKE 148849	67
WHEEL MOTOR REAR RIGHT WITHOUT BRAKE 148840	79
WHEEL MOTOR REAR RIGHT WITHOUT BRAKE 149920	79
WHEEL MOTOR RIGHT LEFT REAR WITHOUT BRAKE 150003	71
WHEEL RIM 028501	295
WHEEL RIM 022436	295
WHEEL STUD 029090	61
WHEEL WEIGHTS 43 KG 108179	295
WHEEL, WHEEL WEIGHTS 800780	286
WIDE SPRAY INSERT 105051	19
WINDOW 786509	403
WINDOW 796803	427
WINDOW FOR DOOR LEFT 786492	331
WINDOW SHUTTER 788943	335
WINDSHIELD 796833	357
WINDSHIELD; WINDSHIELD WIPERS; WORKING SPOTLIGHT, C300, VCI 800821	386
WINDSHIELD; WINDSHIELD WIPERS; WORKING SPOTLIGHT; VCI; C200 800800	328
WING SCREW 010073	43
WIPER ARM 796345	337
WIPER ARM SHORTENED C300 796848	415
WIPER BLADE 788961	337
WIPER BLADE 796871	357
WIPER BLADE 797460	361
WIPER BLADE 790938	415
WIPER ENGINE 796236	337
WIPER LEVER 796845	357
WIPER MOTOR 797457	361
WIPER MOTOR 796239	397
WIPER MOTOR COVER 797458	361
WIPER MOTOR COVER C300 797710	415
WIRE BAR CLAMP 026580	25
WIRE BAR CLAMP 023132	87
WIRE BAR CLAMP 010931	105
WORKING SPOTLIGHT 023683	355
WORKING SPOTLIGHT REAR 143052	355
Wiper motor 796837	415
Z-PROFILE 796940	369
Z-PROFILE C300 797224	423
air condition compl. C300 147660	435
air conditioning 144011	381
air conditioning system 144014	435
air filter 138110	19
angle 143546	17
arm rest for seat 146171	309
assitional control valve D/A 134910	151
clutch control front 134912	151
clutch control rear 134913	151
complement kit liftingcylinder 136344	269
cover 796425	337
current regulation valve 029302	159
double acting lifting cyl. 137459	269

double acting valve 140485	151
earned-hydraulic 70L/min 146165.....	203
earned-hydraulic 70L/min 146352.....	209
fender extention small 135815	43
flow devider C300 137660	165
front lifting attachment 137460	269
fuel filter 796332.....	33
gas spring 796915.....	357
heating valve 788903	341
high roof 144148	423
hook-out roof 797013	423
hydraulic tipping unit 134905.....	55
hydraulic carring unit C300 136341	171
hydraulic pump 136753.....	183
independent wheel stabilizer 140893.....	267
inductive transmitterDREHZAHL M18X1,5) ET-UMFANG 149964.....	29
kit air accumulator C300 137387	283
lifting attachments 147059	259
platform 134901	49
platform 134902	49
pressure less return flow rear 134918.....	165
pressurless return flow front 134917	163
radio 118423	371
radio with cassette deck 023673.....	371
rail 134400	45
rail 134401	47
rear 3pt. linkage 135640	273
rear guard C3.42 148626	291
rear guard F202 148921	291
relais 137644.....	327
roof light 799522	391
roof light 799523	391
roof light 799524	391
roof light 799525	391
roof light 799526	391
set of lines for flow deviderfront 134915	163
single acting valve 135381	151
spacer ring 134308	59
tank for washer 788962.....	347
track broadening front axle 141336.....	65
trailer hitch 142879.....	289
turning angle transmitter 151073	225
variable displacement pump 138038	117
wheel 26x12.00-12 145952.....	295
wheel 27/14LL-15 139423.....	295
wheel 31x15.50-15 139425.....	295
wheel 400/50-15 148441.....	295
wheel motor 143303.....	79